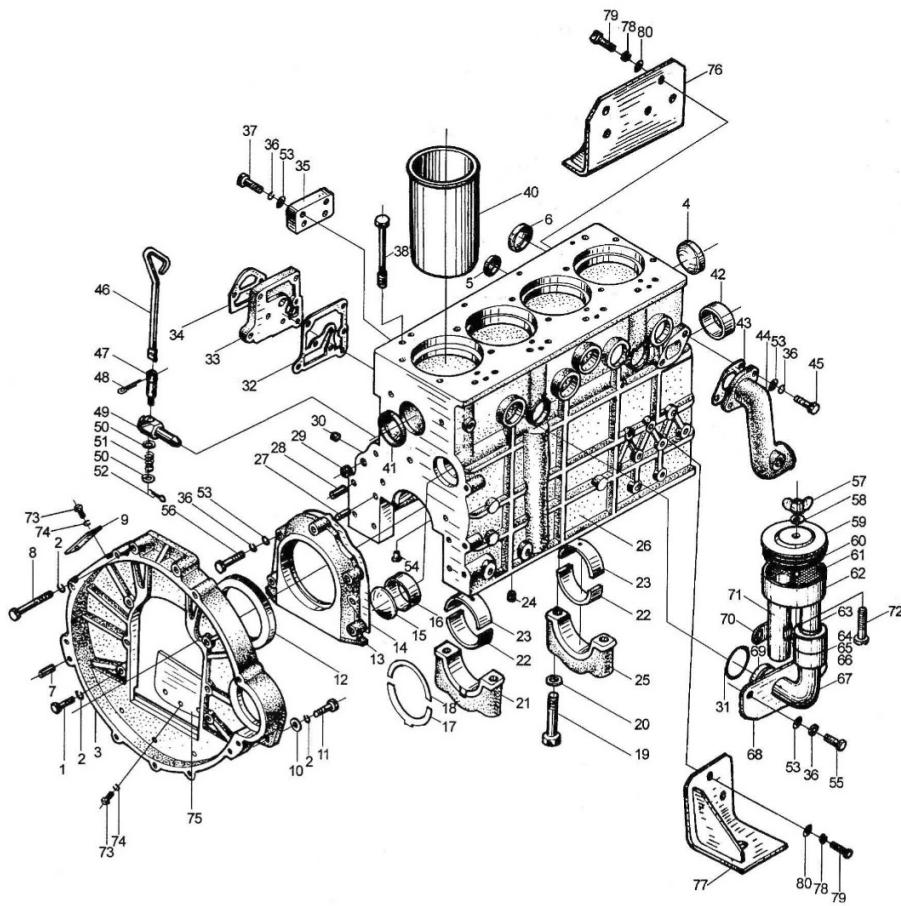




ARBOS

**3055
CINTURA DI SICUREZZA**

POS	COD	Q.TÀ	DESCRIZIONE	ASSEMBLY NUMBER RANGE
1	L0004996	1	SAFETY BELT INSTALLATION ASSEMBLY	

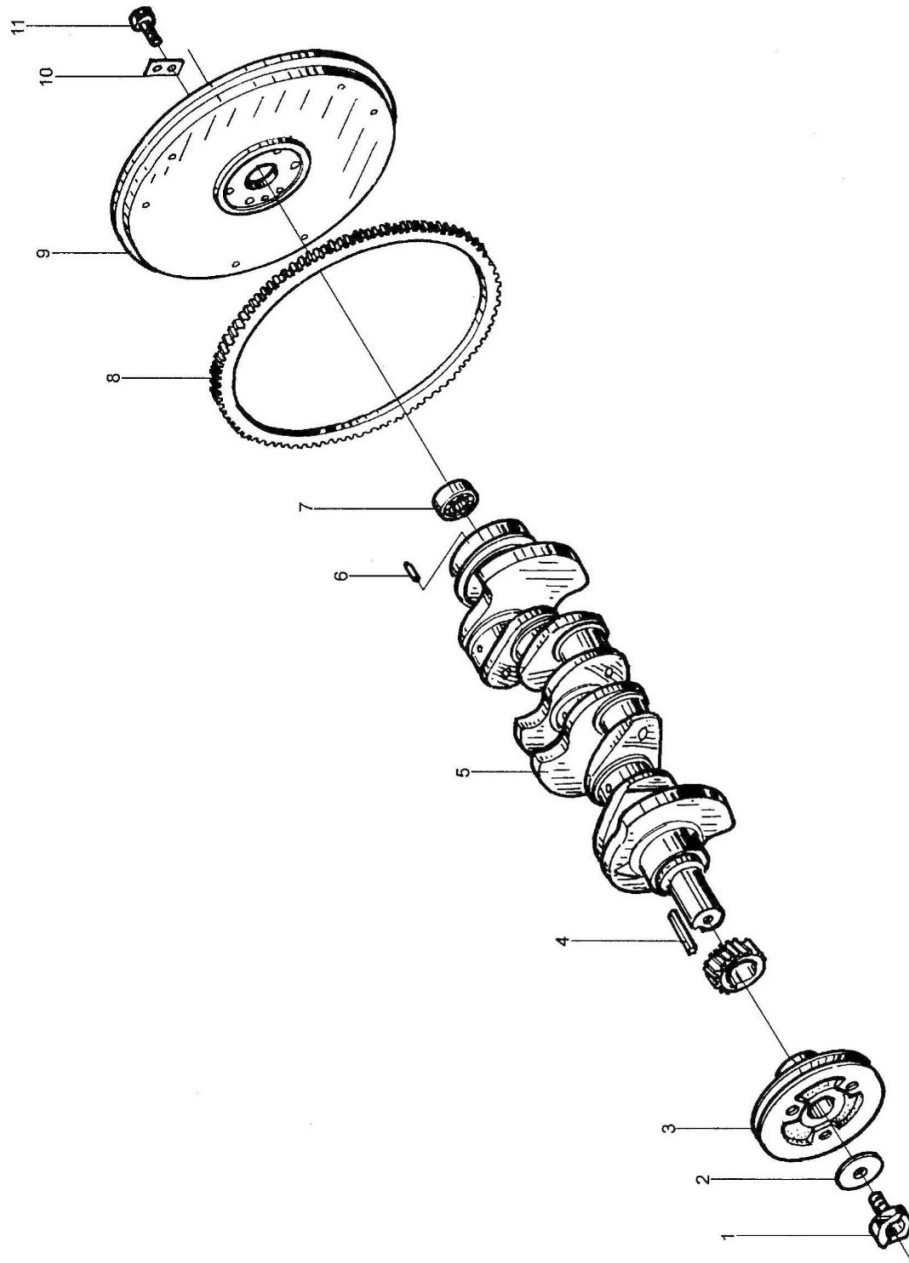




POS	COD	Q.TÀ	DESCRIZIONE	ASSEMBLY NUMBER RANGE
1	L0005621	4	Bolt M12 x28	
2	L0005622	8	Spring washer 12	
3	L0005623	1	Flywheel housing	
4	L0005560	1	Plug 50	
5	L0005561	3	Plug 20	
6	L0005562	10	Plug 40	
7	L0005624	2	Pin AIO x25	
8	L0005625	2	Bolt M12 x65	
9	L0004642	1	INSPECTION HOLE COVER PLATE	
10	L0005626	6	Washer 12	
11	L0005621	2	Bolt M12 x28	
12	NFS	1	NON FORNITO SEPARATAMENTE	
13	L0005627	1	Oil seal seat	
14	L0005628	1	Gasket	
15	L0005563	1	Plug 58	
16	L0005629	1	Rear camshaft bushing	
17	L0005630	2	Lower thrust bearing	
18	L0005631	2	Upper thrust bearing	
19	L0005564	10	Bolt	
20	L0005565	10	Washer	
21	L0005632	1	Rear bearing cap	
22	L0005633	5	Main bearing,lower half	
23	L0005634	5	Main bearing, upper half	
24	L0005566	1	Plug	
25	L0005635	4	Main bearing cover	
26	L0000166	1	BLOCCO CILINDRO	
27	L0005637	2	Pin B8 x20·	
28	L0005637	2	Pin B8 x20·	
29	L0005567	2	Plug 15	
30	L0005568	6	Plug RI/8	
31	L0005569	1	O -ring	
32	L0005570	1	Oil filter gasket	
33	L0005571	1	Oil filter back plate	
34	L0004631	1	OIL FILTER GASKET	
35	L0005572	1	Fuel filter back plate	
36	L0005622	11	Spring washer 12	
37	L0005621	5	Bolt M12 x28	
38	L0005573	14	Bolt Bolt	
40	L0004755	4	CYLINDER BUSH	
41	L0005575	1	Plug 60	



POS	COD	Q.TÀ	DESCRIZIONE	ASSEMBLY NUMBER RANGE
42	L0005576	2	Camshaft bushing	
43	L0004629	1	WATER INLET PIPE GASKET	
44	L0005638	1	Water pipe	
45	L0005621	2	Bolt M12 x28	
46	L0005639	1	Drain cock handle	
47	L0005640	1	Drain cock core	
48	L0005641	1	Pin 3.2 x22	
49	L0005642	1	Valve body	
50	L0005649	2	Washer 6 -140HV	
51	L0005756	1	Spring	
52	L0005641	1	Pin 3.2 x22	
53	L0005626	2	Washer 12	
54	L0005757	4	Oil injector	
55	L0005621	2	Bolt M12 x28	
56	L0005621	5	Bolt M12 x28	
57	L0005758	1	Nut M6	
58	L0005626	1	Washer 12	
59	L0005759	1	Upper cover, air intake device	
60	L0005760	1	Seal ring	
61	L0005761	1	Filter(I)	
62	L0005761	1	Filter(I)	
63	L0005762	1	Air vent(II)	
64	L0005763	2	Transition pipe	
65	L0005764	1	Strut	
66	NFS	1	NON FORNITO SEPARATAMENTE	
67	L0005765	1	Air vent(III)	
68	L0005766	1	Plate	
69	L0005767	1	Inlet drivepipe	
70	L0005768	1	Fixed plate	
71	L0005769	1	Air vent(I)	
72	L0005770	1	Screw M6 x50	
73	L0005770	5	Screw M6 x50	
74	L0005622	5	Spring washer 12	
75	L0005647	1	Plate	
76	L0005646	1	Engine front bracket (left)	
77	L0005645	1	Engine front bracket (right)	
78	L0005622	8	Spring washer 12	
79	L0005621	8	Bolt M12 x28	
80	L0005626	8	Washer 12	

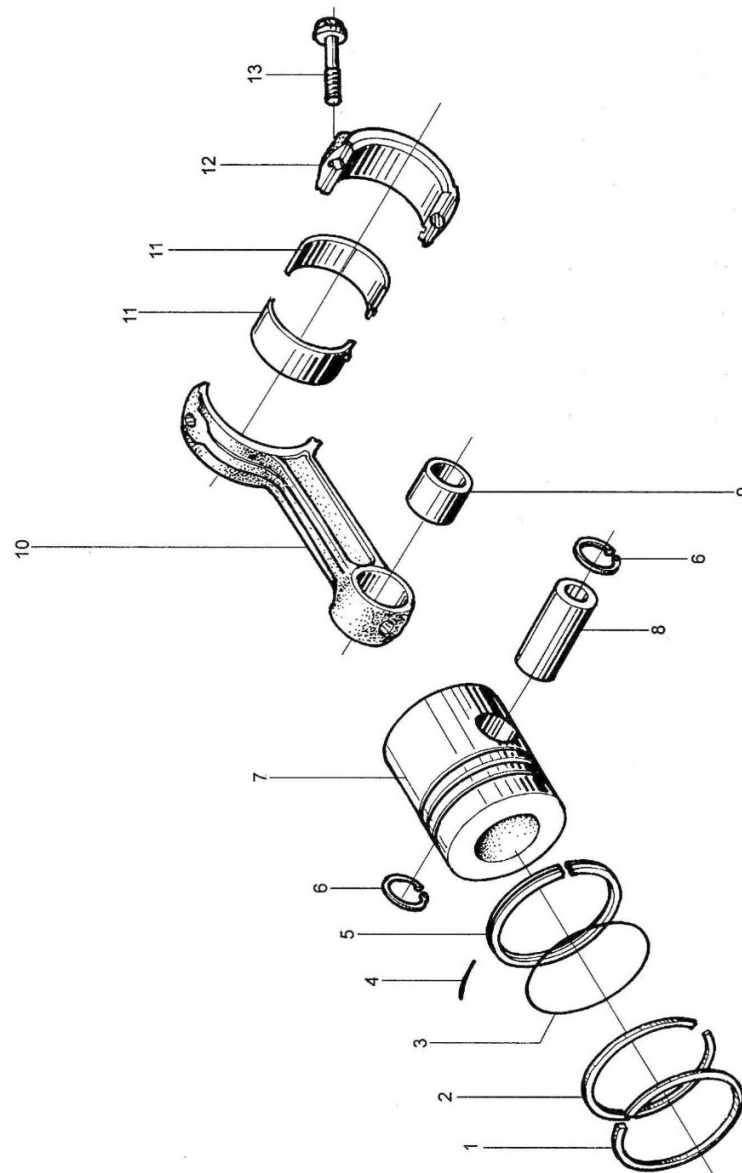




ARBOS

**3055
ALBERO A GOMITO E VOLANO**

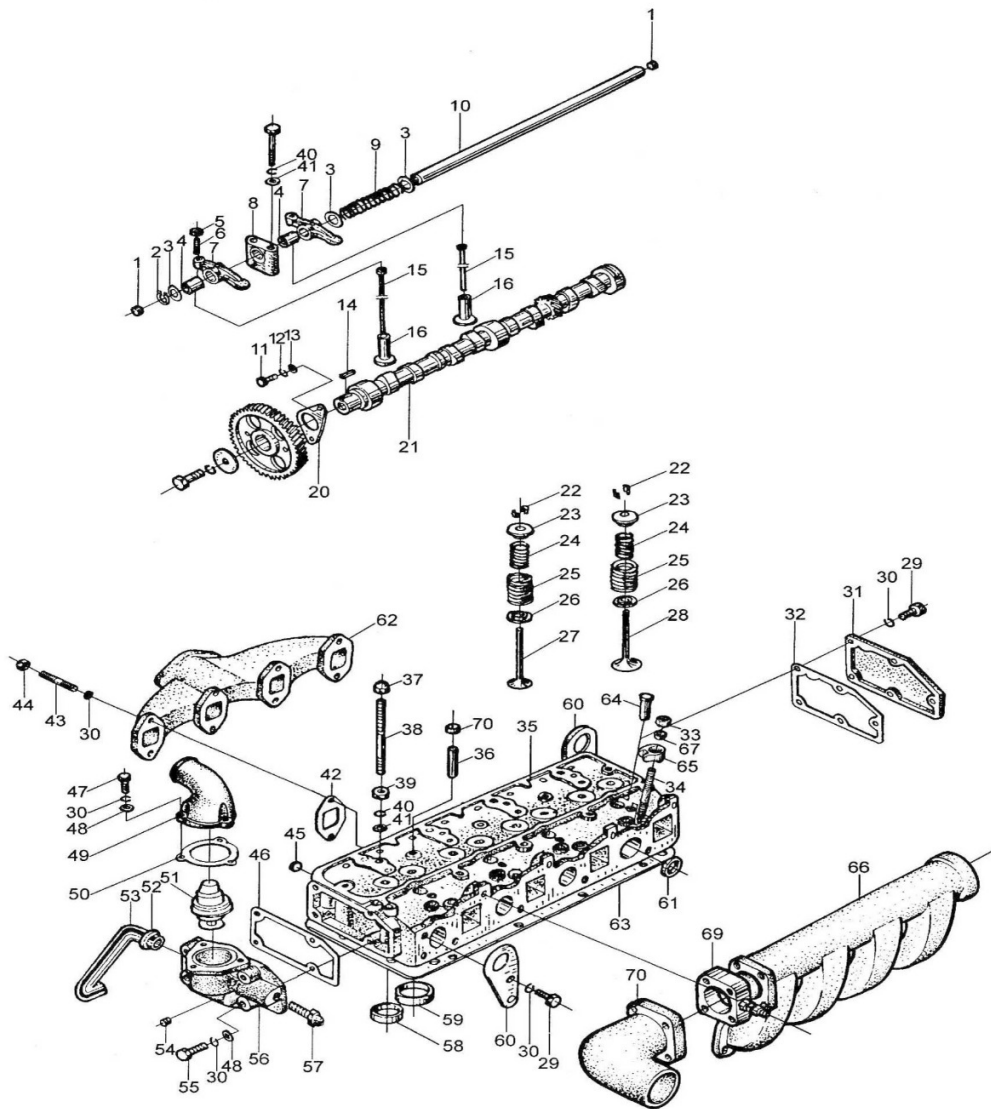
POS	COD	Q.TÀ	DESCRIZIONE	ASSEMBLY NUMBER RANGE
1	L0005599	1	Starting pawl	
2	L0005673	1	Washer, starting pawl	
3	L0005674	1	V-belt	
4	L0005651	1	Key A12 x60	
5	L0000074	1	ALBERO	
6	L0005637	1	Pin B8 x20	
7	L0005675	1	Bearing 80203	
8	L0005676	1	Flywheel ring gear	
9	L0005677	1	Flywheel	
10	L0005678	3	Safe plate	
11	L0005679	6	Flywheel bolt	





POS	COD	Q.TÀ	DESCRIZIONE	ASSEMBLY NUMBER RANGE
1	L0005665	4	Compression ring(top)	
2	L0005666	4	Compression ring(second)	
3	L0005667	4	Spiral expansion spring	
4	L0005668	4	Pin	
5	L0005669	4	Oil ring body	
6	L0005670	8	Snap ring 34	
7	L0004758	4	PISTON	
8	L0000171	4	PERNO	
9	L0005596	4	Connecting rod hush	
10	L0005671	4	Connecting rod	
11	495B-04005-IA	8	Connecting rod hearing	
12	L0005672	4	Connecting rod cap	
13	L0005598	8	Connecting rod holt	

气缸盖及配气机构 Cylinder head and gas exchanging system assembly

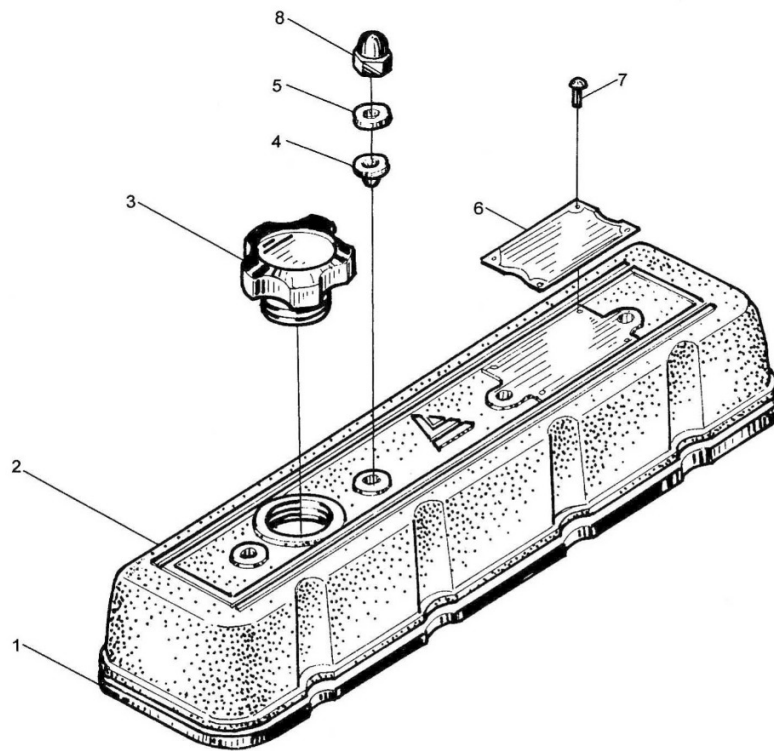




POS	COD	Q.TÀ	DESCRIZIONE	ASSEMBLY NUMBER RANGE
1	L0005577	2	Plug 12	
2	L0005648	2	Snap ring 20	
3	L0005649	8	Washer 6 -140HV	
4	L0004641	8	VALVE ROCKER BUSH	
5	L0005650	8	Nut M8 x1	
6	L0004638	8	VALVE CLEARANCE ADJUSTING SCREW	
7	L0000051	8	SNODO VALVOLA	
8	L0005578	4	Seat	
9	L0004639	3	VALVE ROCKER SHAFT SPRING	
10	L0004640	1	VALVE ROCKER SHAFT	
11	L0005621	6	Bolt M12 x28	
12	L0005622	17	Spring washer 12	
13	L0005626	2	Washer 12	
14	L0005651	1	Key A12 x60	
15	L0000077	8	VALVOLA DI PRESSIONE	
16	L0005579	8	Push tappet	
20	L0005580	1	Thrust plate for camshaft	
21	L0000075	1	ALBERO A CAMME	
22	L0004634	16	VALVE COLLET	
23	L0004635	8	VALVE SPRING UPPER SEAT	
24	L0004633	8	VALVE INNER SPRING	
25	L0004632	8	VALVE OUTER SPRING	
26	L0004636	8	VALVE SPRING LOWER SEAT	
27	L0000072	4	VALVOLA DI SCARICO	
28	L0000168	4	VALVOLA INGRESSO ARIA	
29	L0005621	4	Bolt M12 x28	
30	L0005622	17	Spring washer 12	
31	L0005581	1	Rear cover	
32	L0004637	1	REAR END COVER GASKET	
33	L0005652	8	Nut MS	
34	L0005653	8	Stud GMIO -MIO x 50	
35	L0000169	1	COPERCHIO CILINDRO	
36	L0005582	8	Valve guide	
38	L0005583	4	Stud	
39	L0005654	4	Nut MIO	
40	L0005622	8	Spring washer 12	
41	L0005626	8	Washer 12	
42	L0005584	4	Gasket	
43	L0005653	8	Stud GMIO -MIO x 50	
44	L0005654	8	Nut MIO	



POS	COD	Q.TÀ	DESCRIZIONE	ASSEMBLY NUMBER RANGE
45	L0005585	1	Plug	
46	L0001945	1	GUARNIZIONE SUPPORTO VALVOLA TERMOST	
47	L0005621	3	Bolt M12 x28	
48	L0005626	7	Washer 12	
49	L0005586	1	Thermostat cover	
50	L0001940	1	GUARNIZIONI COPERCHIO TERMOSTATO	
51	L0000061	1	TERMOSTATO	
52	L0005587	1	Pipe	
53	L0005655	1	Water pipe	
54	L0005588	1	Plug NPT3/8	
55	L0005625	4	Bolt M12 x65	
56	L0005656	1	Thermostat housing	
57	L0005657	1	Water temperature sensor	
58	L0004655	4	EXHAUST VALVE SEAT	
59	L0004757	4	AIR INLET VALVE SEAT	
60	L0005589	1	Hoisting bracket	
61	L0005590	4	Pulg 30	
62	L0005555	1	Exhaust pipe	
63	L0005591	1	Gasket	
64	L0005592	4	Copper sleeve	
65	L0002258	4	OIL INJECTOR PRESSURE PLATE	
66	L0005593	1	Intake pipe	
67	L0005658	4	Washer	
68	L0005594	8	Oil seal	
69	L0005659	1	Air calorifier	
70	L0005660	1	Intake adapter	

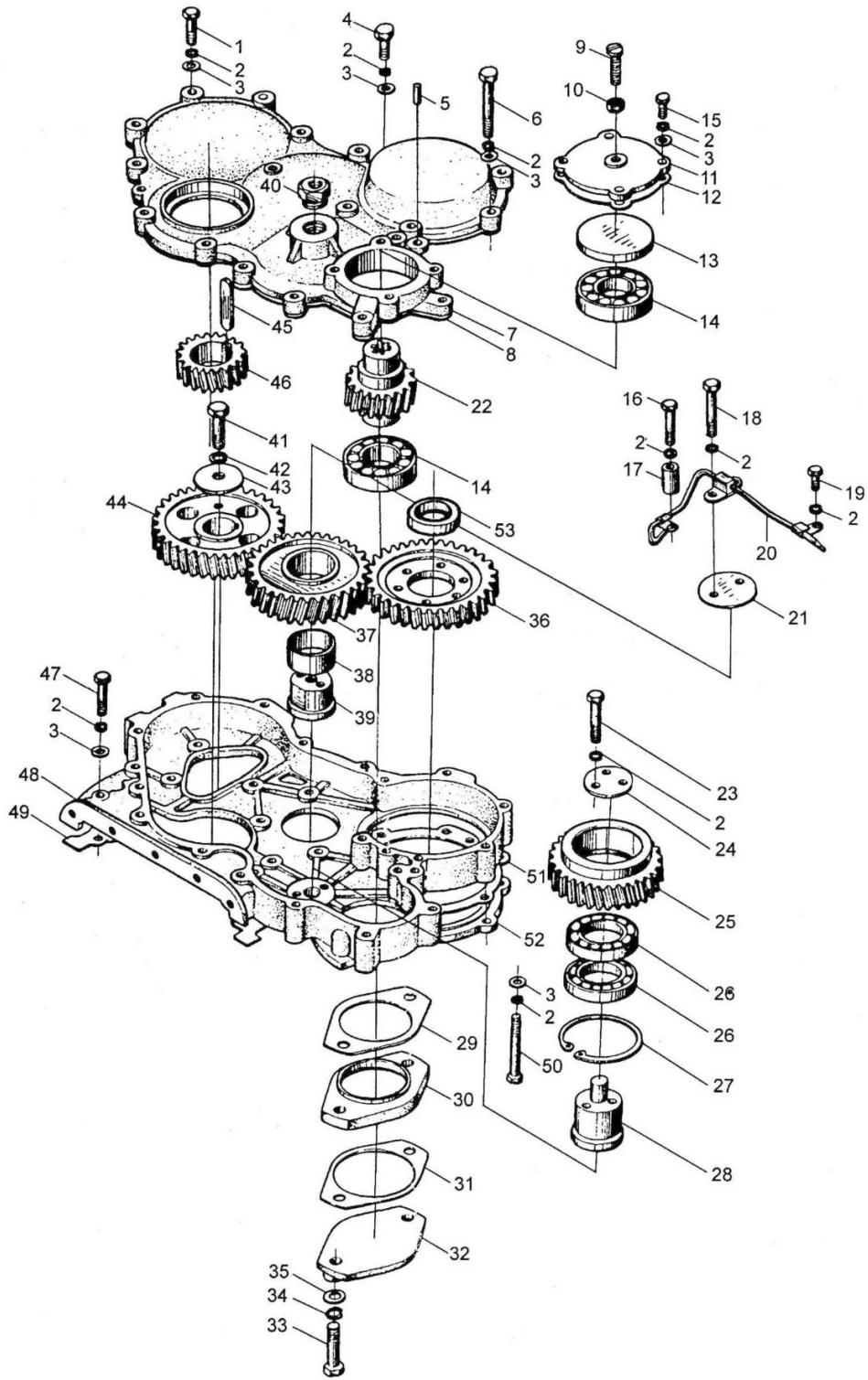




ARBOS

**3055
CAPPELLO TESTA**

POS	COD	Q.TÀ	DESCRIZIONE	ASSEMBLY NUMBER RANGE
1	L0001946	1	GUARNIZIONE COPERCHIO VALVOLE	
2	L0005712	1	Cylinder head cover	
3	L0005713	1	Cap part	
4	L0005603	4	Rubber isolation bushing	
5	L0005610	4	Washer	
6	L0005714	1	Nameplate	
7	L0005715	4	Rivet 2 x5	
8	L0005716	4	Nut M8	





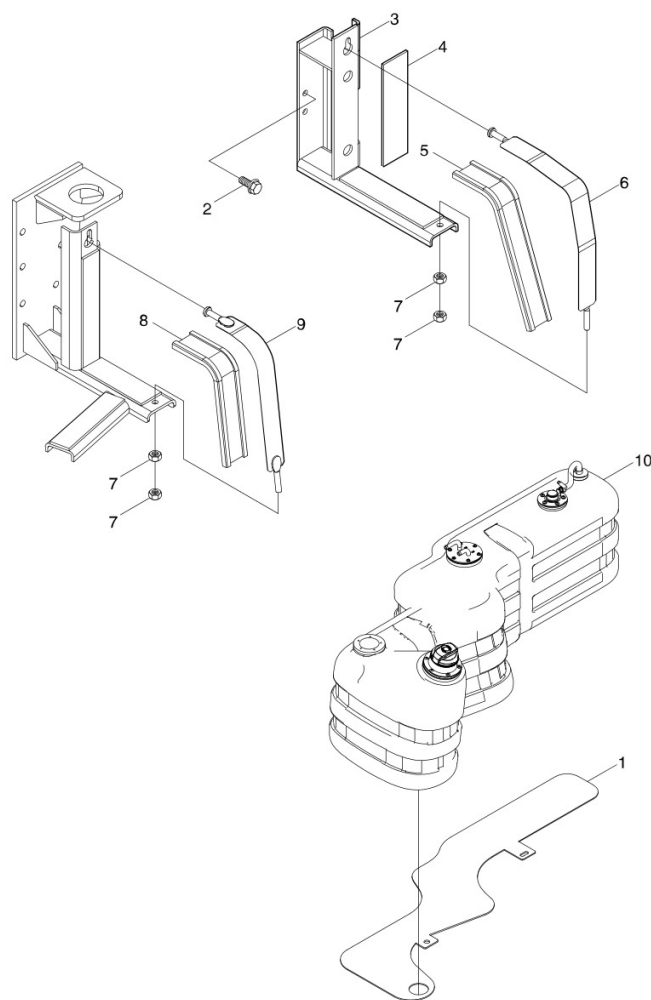
POS	COD	Q.TÀ	DESCRIZIONE	ASSEMBLY NUMBER RANGE
1	L0005625	2	Bolt M12 x65	
2	L0005680	33	Washer 8	
3	L0005681	36	Washer 8	
4	L0005625	8	Bolt M12 x65	
5	L0005682	2	Pin B8 x20	
6	L0005625	8	Bolt M12 x65	
7	L0005683	1	Cover	
8	L0005684	1	Gasket	
9	L0005685	1	Adjusting screw	
10	L0005650	1	Nut M8 x1	
11	L0005686	1	Bearing cover	
12	L0005687	1	Gasket	
13	L0005688	1	End plate	
14	L0005689	2	Bearing 30207	
15	L0005625	4	Bolt M12 x65	
16	L0005625	2	Bolt M12 x65	
17	L0005690	1	Washer	
18	L0005625	2	Bolt M12 x65	
19	L0005625	1	Bolt M12 x65	
20	L0005691	1	Oil pipe	
21	L0005692	1	End plate	
22	L0005693	1	Hydraulic pump gear	
23	L0005625	3	Bolt M12 x65	
24	L0005694	1	Snap plate	
25	L0005695	1	Bridge gear	
26	L0005696	2	Bearing 6009	
27	L0005670	1	Snap ring 34	
28	L0005697	1	Gear shaft	
29	L0005698	1	Gasket	
30	L0005699	1	Connecting plate	
31	L0005700	1	Gasket	
32	L0005701	1	End cover	
33	L0005702	2	Bolt M10x45	
34	L0005680	8	Washer 8	
35	L0005681	8	Washer 8	
36	L0005703	1	Pump timing gear	
37	L0005704	1	Timing idle gear	
38	L0005606	1	Bushing	
39	L0005614	1	Idle gear shaft	
40	L0005705	1	Screw	



ARBOS

**3055
INGRANAGGI DISTRIBUZIONE**

POS	COD	Q.TÀ	DESCRIZIONE	ASSEMBLY NUMBER RANGE
41	L0005625	1	Bolt M12 x65	
42	L0005680	1	Washer 8	
43	L0005607	1	End cover	
44	L0005706	1	Camshaft timing gear	
45	L0005651	1	Key A12 x60	
46	L0005708	1	Crankshaft timing gear	
47	L0005625	1	Bolt M12 x65	
48	L0005709	1	Timing gear housing	
49	L0005710	1	Gasket	
50	L0005625	2	Bolt M12 x65	
51	L0005605	1	Gasket	
52	L0005617	1	Connecting flange	
53	L0005711	1	Axle sleeve	

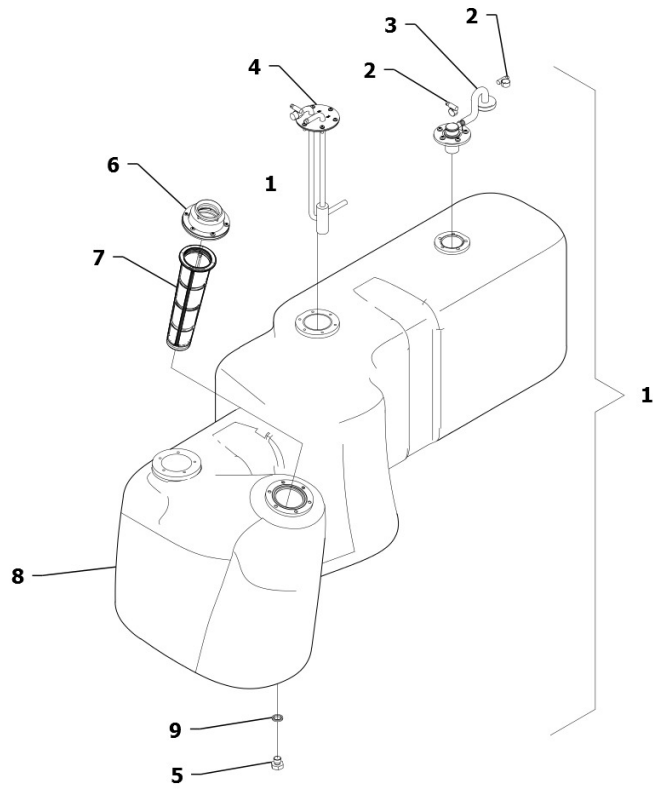




ARBOS

**3055
SERBATOIO COMBUSTIBILE**

POS	COD	Q.TÀ	DESCRIZIONE	ASSEMBLY NUMBER RANGE
1	L0004541	1	OIL TANK PROTECTION PLATE	
2	L0003286	2	HEXAGON FLANGE NUT	
3	L0002857	1	REAR BRACKET WELDMENT	
4	L0002557	1	RUBBER WASHER	
5	L0002251	1	STAFFA FISSAGGIO SERBATOIO	
6	L0002250	1	REAR FASTENING TIE WELDMENT	
7	L0003307	4	HEXAGON NUT, TYPE-1	
8	L0002249	1	TIE RUBBER STRIP	
9	L0002248	1	FRONT BAND WELDMENT	
10	L0002934	1	OIL TANK ASSEMBLY	

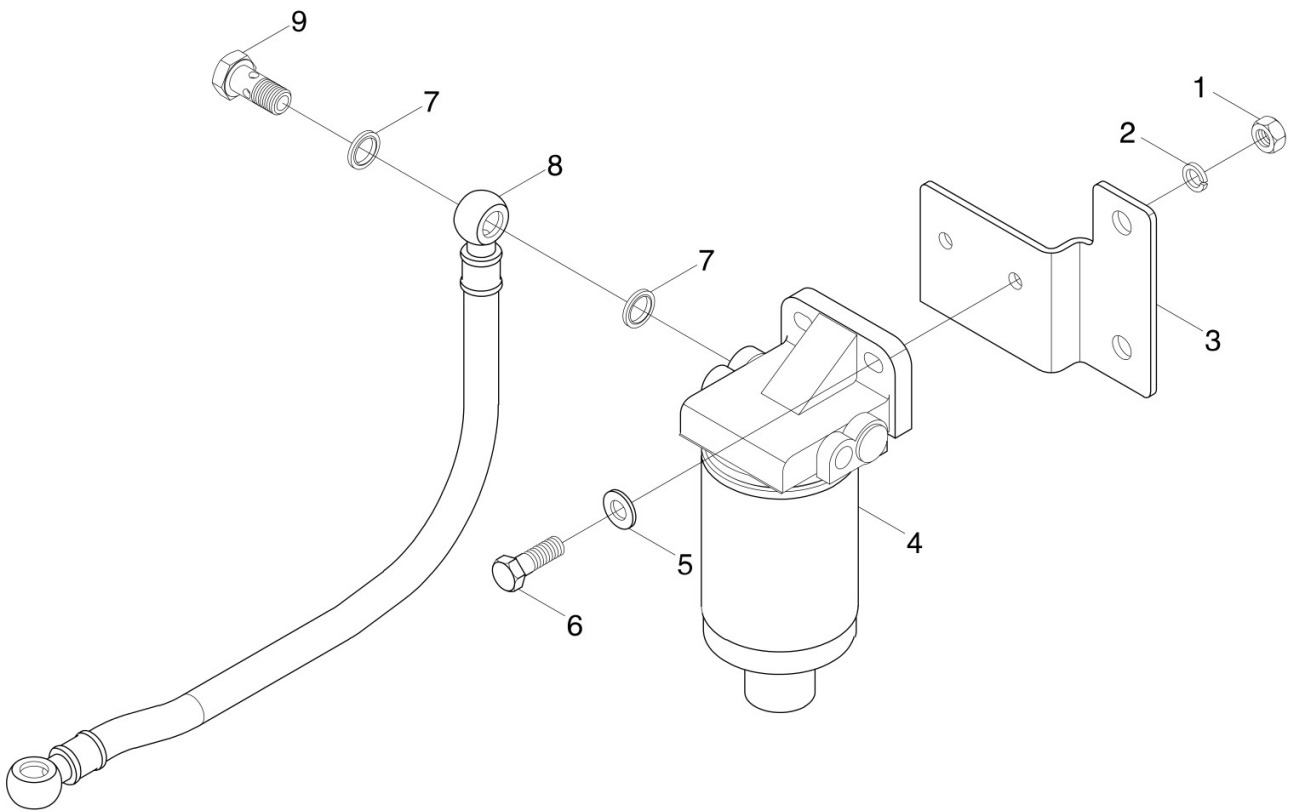




ARBOS

**3055
SERBATOIO COMBUSTIBILE**

POS	COD	Q.TÀ	DESCRIZIONE	ASSEMBLY NUMBER RANGE
1	L0002934	1	OIL TANK ASSEMBLY	
1	L0002934	1	OIL TANK ASSEMBLY	
2	L0002431	2	A-TYPE WORM TRANSMISSION HOSE CLAMP	
2	L0002431	2	A-TYPE WORM TRANSMISSION HOSE CLAMP	
3	L0002827	1	BREATH ASSEMBLY	
3	L0002827	1	BREATH ASSEMBLY	
4	L0004540	1	OIL OUTLET ASSEMBLY	
4	L0004540	1	OIL OUTLET ASSEMBLY	
5	L0002427	1	HEXAGON PLUG	
5	L0002427	1	HEXAGON PLUG	
6	L0002159	1	BOCCHETTA SERBATOIO CARBURANTE TB504	
6	L0002159	1	BOCCHETTA SERBATOIO CARBURANTE TB504	
7	L0001776	1	COMPLESSO FILTRO	
7	L0001776	1	COMPLESSO FILTRO	
8	L0004539	1	OIL TANK HOUSING	
8	L0004539	1	OIL TANK HOUSING	
9	L0003574	1	COMBINED SEAL GASKET	
9	L0003574	1	COMBINED SEAL GASKET	

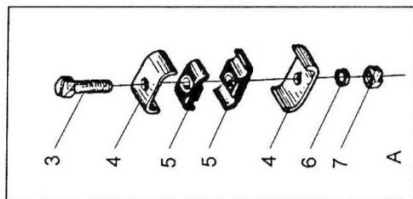
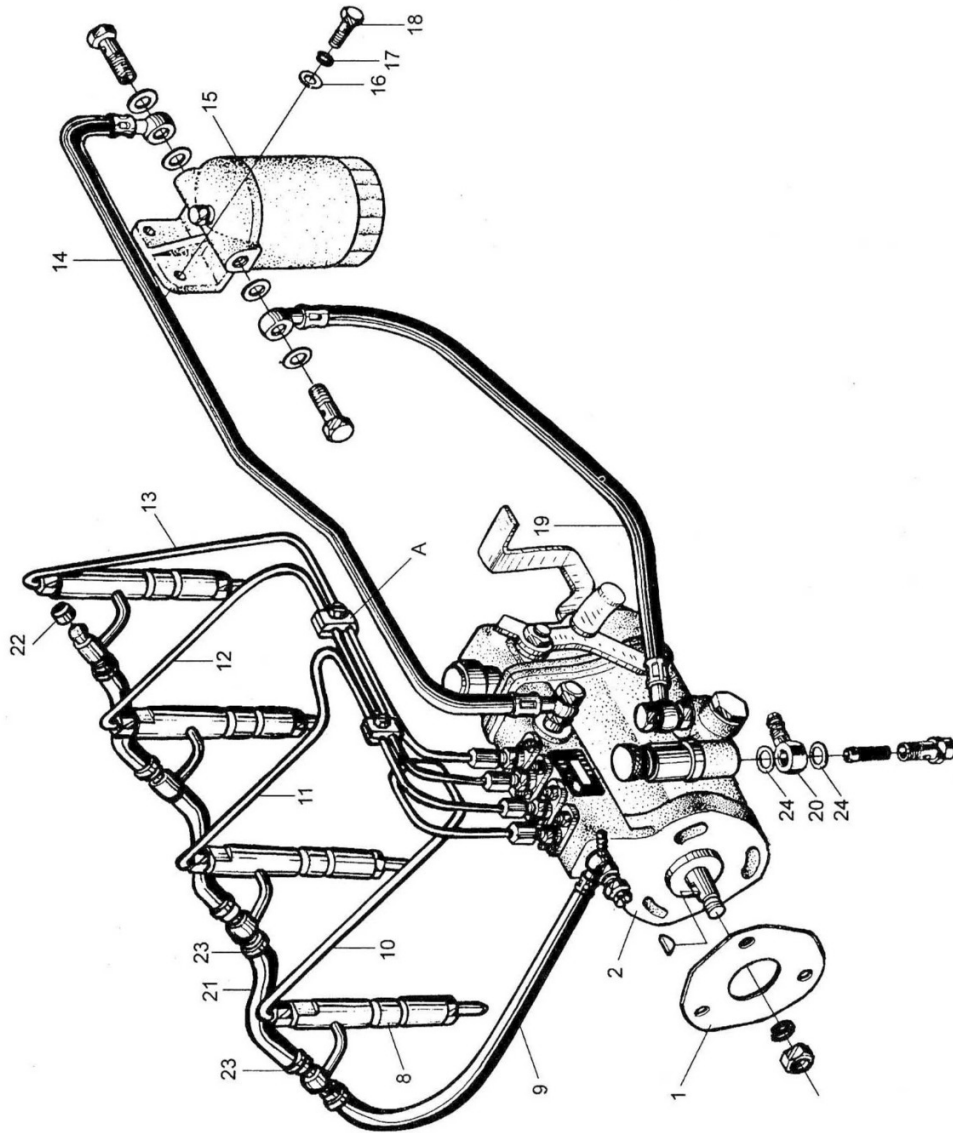




ARBOS

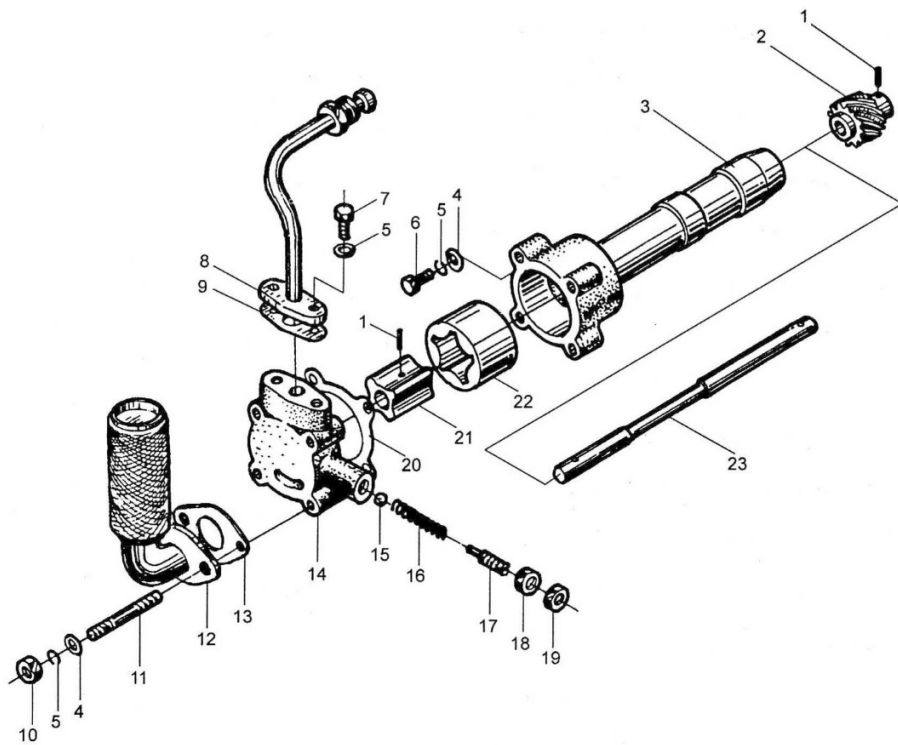
**3055
TUBAZIONI CARBURANTE**

POS	COD	Q.TÀ	DESCRIZIONE	ASSEMBLY NUMBER RANGE
1	L0003320	2	HEXAGON NUT, TYPE-1	
2	L0003517	2	STANDARD SPRING WASHER	
3	L0002611	1	BRACKET	
4	L0002109	1	ASSIEME FILTRO CARBURANTE	
5	L0003520	2	PLAIN WASHER	
6	L0003276	2	HEXAGON BOLT	
7	L0003575	2	COMBINED SEAL GASKET	
8	L0002233	1	OIL OUTLET PIPE ASSY	
9	L0002515	1	HOLLOW BOLT	



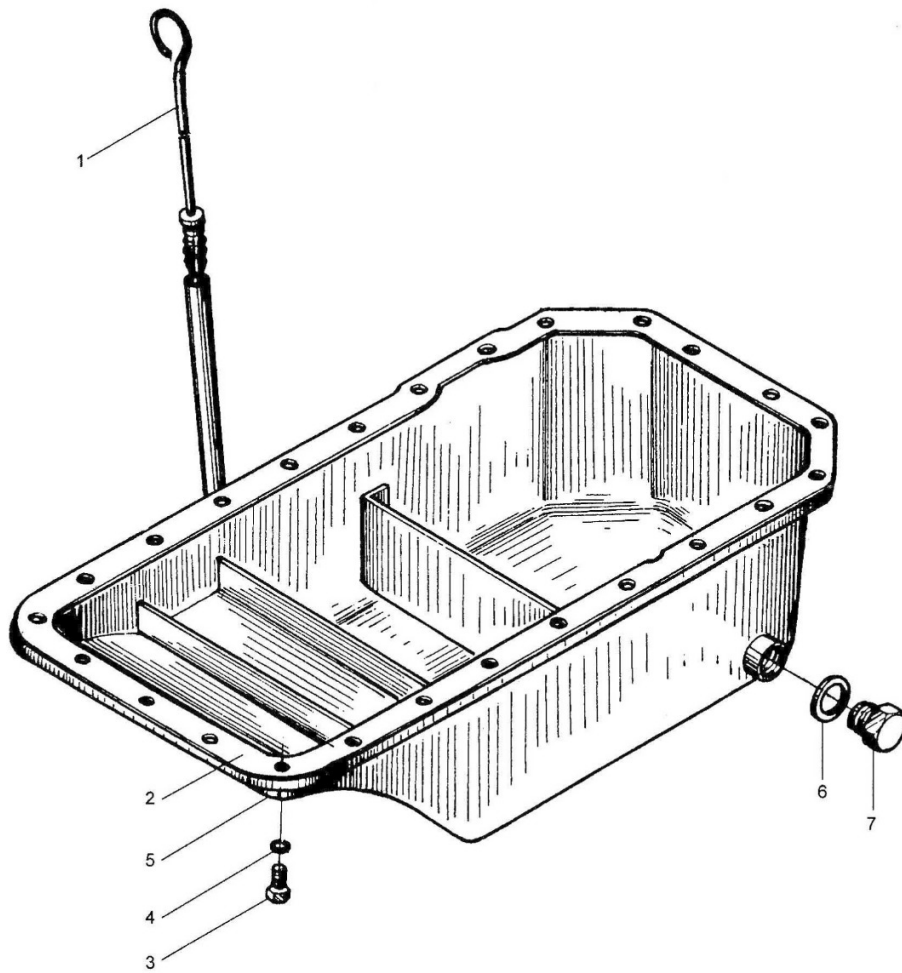


POS	COD	Q.TÀ	DESCRIZIONE	ASSEMBLY NUMBER RANGE
1	L0005604	1	Gasket	
2	L0005744	1	Fuel injection pump	
3	L0005851	3	Bolt M6 x 25	
4	L0005602	6	Clamp	
5	L0005600	6	Rubber gasket	
6	L0005644	3	Spring washer 6	
7	L0005746	3	Nut M6	
8	L0005620	4	Fuel injector	
9	L0005747	1	Injector leak -off pipe	
10	L0005748	1	1 st cylinder high pressure fuel tube	
11	L0005749	1	2nd cylinder high pressure fuel tube	
12	L0005750	1	3rd cylinder high pressure fuel tube	
13	L0005751	1	4th cylinder high pressure fuel tube	
14	L0005613	1	Fuel supply tube from fuel filter to injection pump	
15	L0001968	1	FILTRO CARBURANTE COMPL. TB504	
16	L0005643	2	Washer 8	
17	L0005644	2	Spring washer 6	
18	L0005621	2	Bolt M12 x28	
19	L0005612	1	Fuel supply tube from supply pump to fuel filter	
20	L0005753	1	Fuel supply pump connector	
21	L0000085	3	CONDOTTO OLIO INIETTORE	
22	L0000084	1	OLIO INIETTORE	
23	L0005609	10	Leakproof cap	
24	L0005561	4	Plug 20	





POS	COD	Q.TÀ	DESCRIZIONE	ASSEMBLY NUMBER RANGE
1	L0005726	2	Pin	
2	L0005727	1	Oil pump driving gear	
3	L0005717	1	Oil pump housing	
4	L0005643	5	Washer 8	
5	L0005644	5	Spring washer 6	
6	L0005621	1	Bolt M12 x28	
7	L0005621	2	Bolt M12 x28	
8	L0005615	1	Piping assembly	
9	L0005601	1	Gasket	
10	L0005654	2	Nut MIO	
11	L0005653	4	Stud GMIO -MIO x 50	
12	L0005616	1	Screen filter	
13	L0004657	1	OIL FILTER GASKET	
14	L0005718	1	Cover, oil pump	
15	L0005719	1	Steel hall 10	
16	L0005720	1	Spring	
17	L0005721	1	Screw	
18	L0005650	1	Nut M8 x1	
19	L0005722	1	Nut M14 x1. 5	
20	L0005723	1	Cover, oil pump gasket	
21	L0005724	1	Inner rotor	
22	L0005725	1	Outer rotor	
23	L0005728	1	Shaft of oil pump	

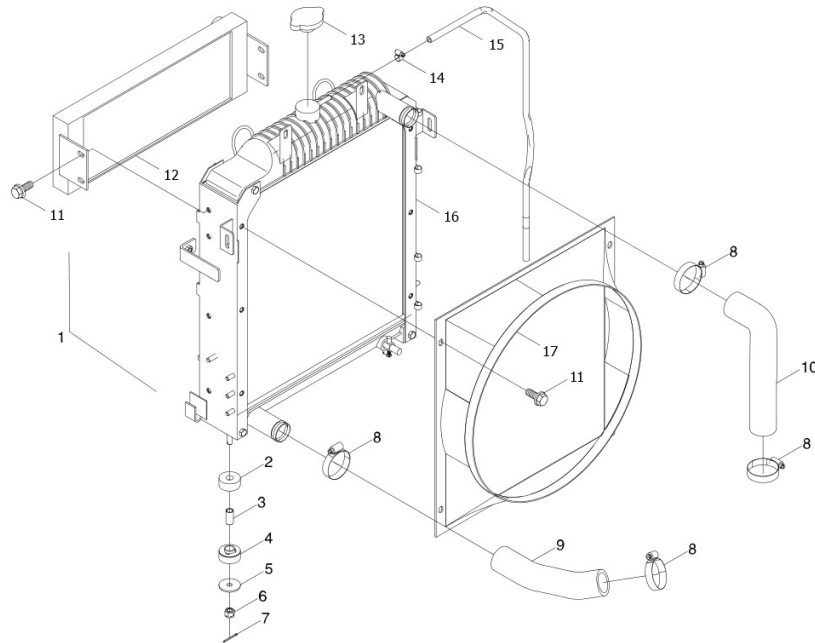




ARBOS

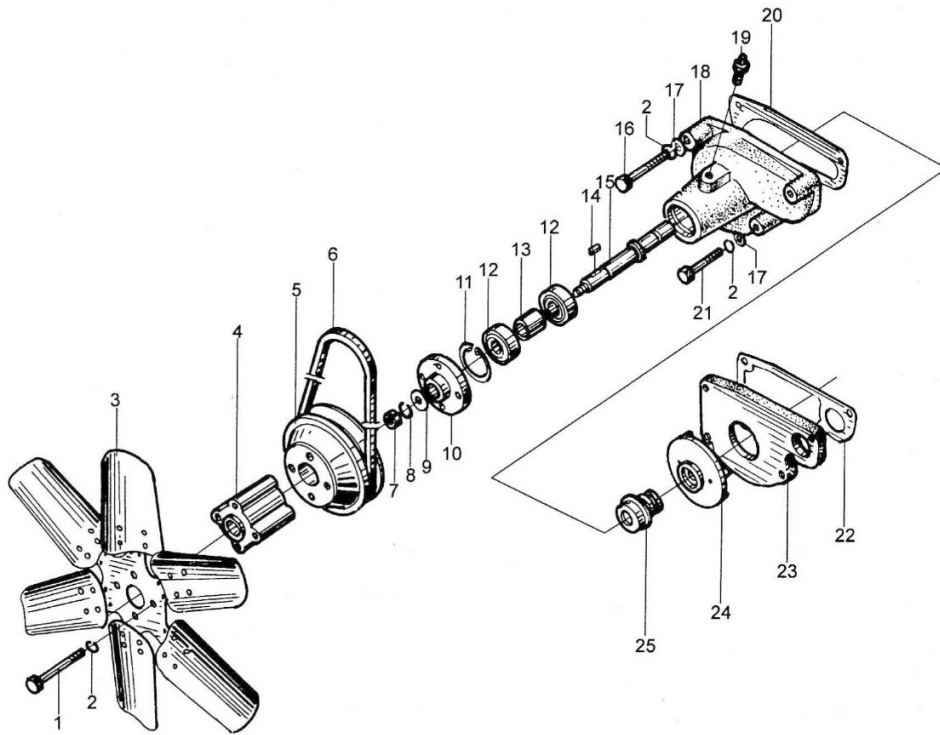
**3055
COPPA OLIO**

POS	COD	Q.TÀ	DESCRIZIONE	ASSEMBLY NUMBER RANGE
1	L0005595	1	Oil dipstick	
2	L0005662	1	Oil sump gasket	
3	L0005621	28	Bolt M12 x28	
4	L0005622	28	Spring washer 12	
5	L0005663	1	Oil sump	
6	L0005664	1	Seal ring 20	
7	L0005661	1	Magnetic plug M20 X 1. 5	



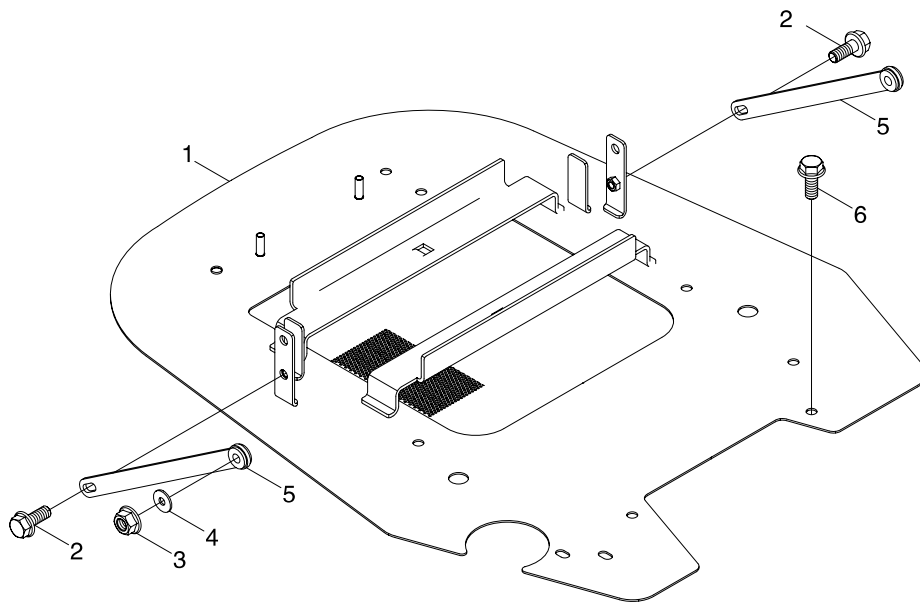


POS	COD	Q.TÀ	DESCRIZIONE	ASSEMBLY NUMBER RANGE
1	L0003604	1	RADIATOR INSTALLATION ASSEMBLY	
2	L0002516	2	RUBBER PAD	
3	L0002570	2	SLEEVE	
4	L0002617	2	RUBBER WASHER	
5	L0002394	2	WASHER	
6	L0003349	2	HEXAGON SLOTTED NUT, STYLE 1	
7	L0003485	2	SPLIT PIN	
8	L0002496	4	B-TYPE WORM TRANSMISSION HOSE CLAMP	
9	L0002628	1	WATER TANK OUTLET HOSE	
10	L0002828	1	WATER TANK WATER INLET HOSE	
11	L0003299	8	HEXAGON FLANGE BOLT	
12	L0003606	1	HYDRAULIC OIL RADIATOR ASSEMBLY	
13	L0002141	1	TAPPO RADIATORE	
14	L0003584	1	C-TYPE WORM TRANSMISSION HOSE CLAMP	
15	L0004213	1	OVERFLOW PIPE	
16	L0003605	1	WATER COOLING RADIATOR ASSEMBLY	
17	L0003862	1	WIND GUIDE COVER	





POS	COD	Q.TÀ	DESCRIZIONE	ASSEMBLY NUMBER RANGE
1	L0005625	4	Bolt M12 x65	
2	L0005644	4	Spring washer 6	
3	L0005618	1	Fan	
4	L0005611	1	Gasket	
5	L0005742	1	Fan pulley	
6	L0005743	1	Fan belt	
7	L0005741	1	Nut MIO	
8	L0005644	1	Spring washer 6	
9	L0005735	1	Washer Q235 -AF	
10	L0005736	1	Fan pulley hub	
11	L0005670	1	Snap ring 34	
12	L0005675	2	Bearing 80203	
13	L0005737	1	Sleeve spacer	
14	L0005738	1	Key 5 x19	
15	L0005739	1	Water pump shaft	
16	L0005625	1	Bolt M12 x65	
17	L0005771	1	Washer 8	
18	L0005734	1	Water pump housing	
19	L0005729	1	Oil cup	
20	L0005608	1	Gasket	
21	L0005625	3	Bolt M12 x65	
22	L0005730	1	Gasket	
23	L0005731	1	Back plate	
24	L0005732	1	Water pump impeller	
25	L0005733	1	Water seal	

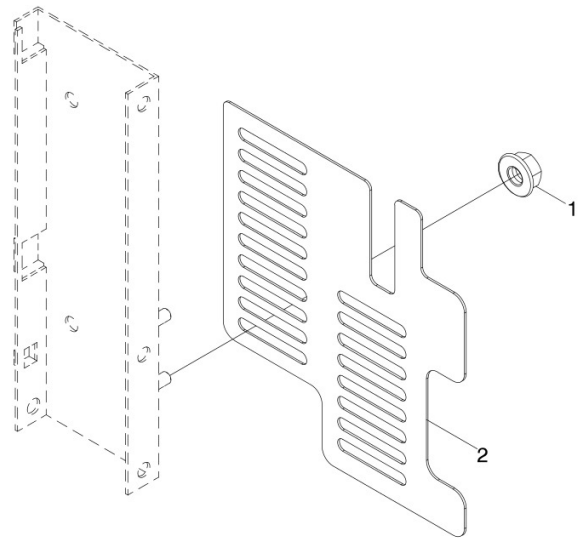




ARBOS

**3055
SUPPORTI RADIATORE**

POS	COD	Q.TÀ	DESCRIZIONE	ASSEMBLY NUMBER RANGE
1	L0003607	1	RADIATOR BACKING BOARD WELDMENT	
2	L0003298	5	HEXAGON FLANGE BOLT	
3	L0003348	2	HEXAGON FLANGE NUT	
4	L0003532	2	BIG WASHER	
5	L0002502	2	PULL ROD UNIT	
6	L0003287	2	HEXAGON FLANGE BOLT	

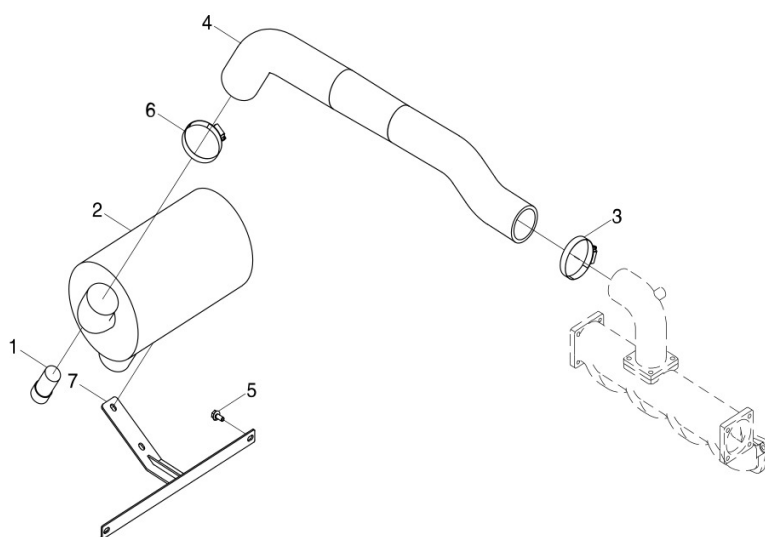




ARBOS

**3055
PROTEZIONI RADIATORE**

POS	COD	Q.TÀ	DESCRIZIONE	ASSEMBLY NUMBER RANGE
1	L0003347	2	HEXAGON FLANGE NUT	
2	L0003863	1	RIGHT PROTECTION NET	

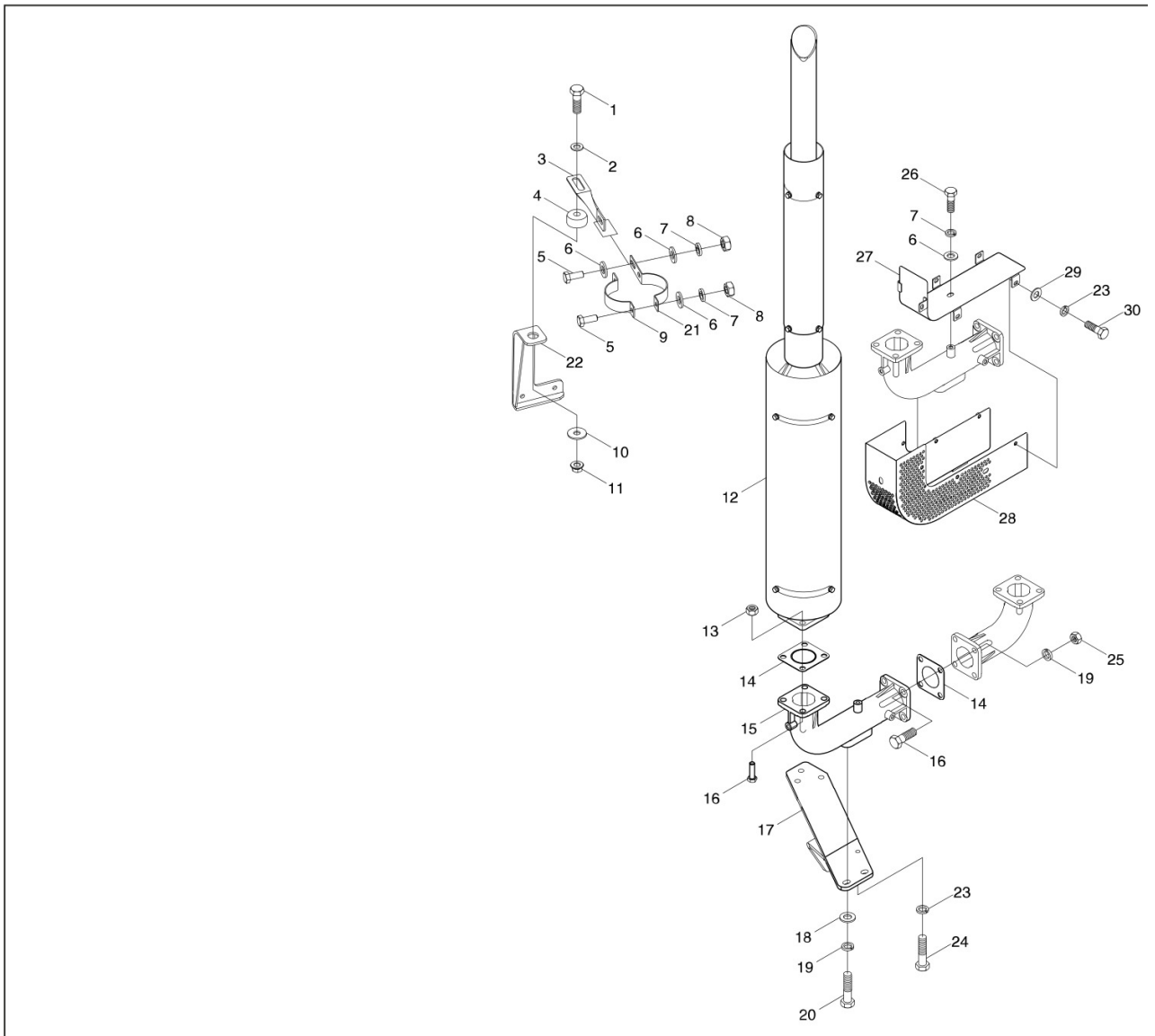




ARBOS

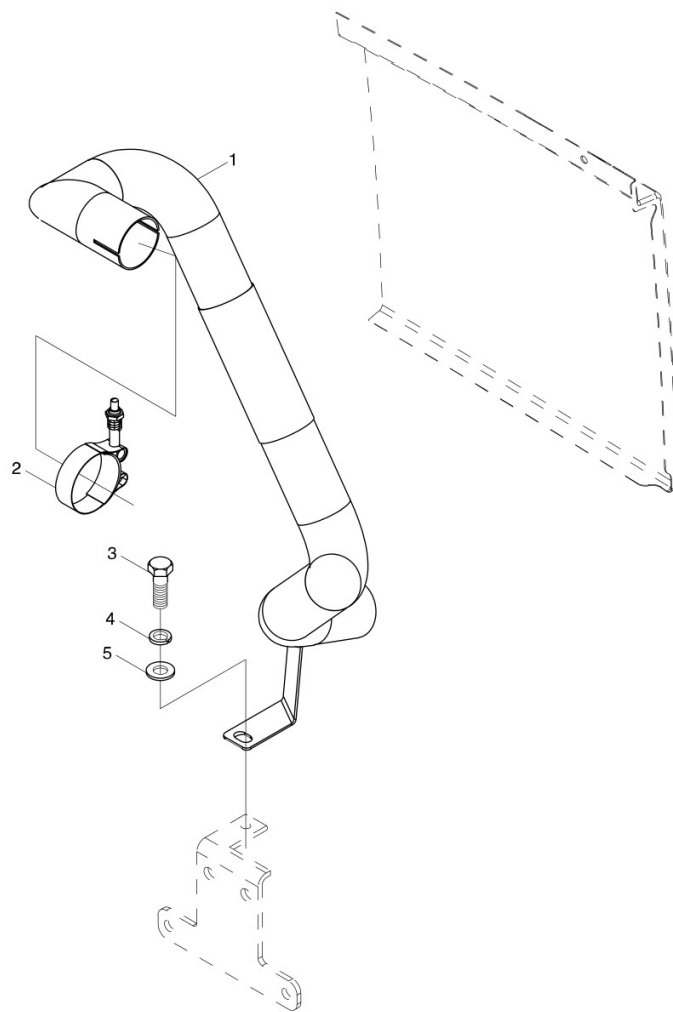
3055
COLLETTORE ASPIRAZIONE / FILTRO ARIA

POS	COD	Q.TÀ	DESCRIZIONE	ASSEMBLY NUMBER RANGE
1	L0001340	1	SPIA MANUTENZIONE CILINDRO	
2	L0000875	1	FILTRO ARIA MOTORE COMPL. TB504	
3	L0003582	1	B-TYPE WORM TRANSMISSION HOSE CLAMP	
4	L0003602	1	AIR FILTER CONNECTION HOSE	
5	L0003299	4	HEXAGON FLANGE BOLT	
6	L0003583	1	B-TYPE WORM TRANSMISSION HOSE CLAMP	
7	L0003603	1	AIR FILTER ASSEMBLY BRACKET WELDMENT	





POS	COD	Q.TÀ	DESCRIZIONE	ASSEMBLY NUMBER RANGE
1	L0003040	1	HEXAGON HEAD BOLT	
2	L0003083	1	PLAIN WASHER	
3	L0003877	1	PULL ROD	
4	L0002511	1	UPPER RUBBER GASKET	
5	L0003051	5	HEXAGON HEAD BOLT	
6	L0003085	4	PLAIN WASHER	
7	L0003077	7	STANDARD SPRING WASHER	
8	L0003055	3	HEXAGON NUT, STYLE 1	
9	L0004432	1	RIGHT CLASP	
10	L0003081	1	LARGE WASHER	
11	L0003594	1	HEXAGON FLANGE NUT	
12	L0002941	1	MUFFLER ASSEMBLY	
13	L0003593	4	SPIRALOCK TYPE 2 HEXAGON SELF-LOCKING LOCKNUT	
14	L0000367	2	KIT GUARNIZIONI	
15	L0002871	1	EXHAUST BENDING PIPE 1	
16	L0003044	8	HEXAGON HEAD BOLT	
17	L0002796	1	FIXING BRACKET WELDMENT	
18	L0003082	2	PLAIN WASHER	
19	L0003073	9	STANDARD SPRING WASHER	
20	L0003042	5	HEXAGON HEAD BOLT	
21	L0004431	1	LEFT CLASP	
22	L0004430	1	BRACKET WELDMENT	
23	L0003076	5	STANDARD SPRING WASHER	
24	L0003047	1	HEXAGON HEAD BOLT	
25	L0003053	4	HEXAGON NUT, STYLE 1	
26	L0003049	3	HEXAGON HEAD BOLT	
27	L0002654	1	UPPER SHIELD SCREEN WELDMENT	
28	L0002825	1	LOWER SHIELD SCREEN WELDMENT	
29	L0003084	4	PLAIN WASHER	
30	L0003046	4	HEXAGON HEAD BOLT	

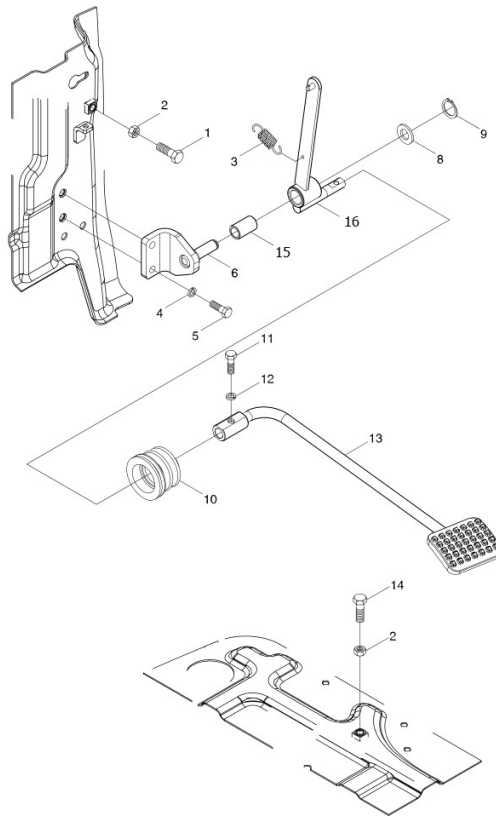




ARBOS

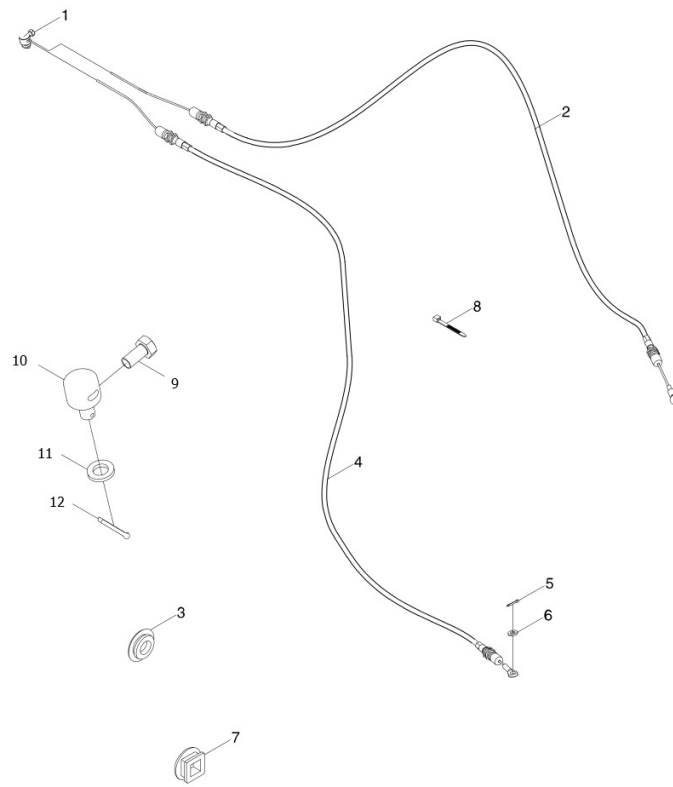
**3055
COLLETTORE DI SCARICO**

POS	COD	Q.TÀ	DESCRIZIONE	ASSEMBLY NUMBER RANGE
1	L0004429	1	EXHAUST BENDING PIPE WELDMENT	
2	L0003592	1	HOOP	
3	L0003237	1	HEXAGON BOLT	
4	L0003504	1	WASHER	
5	L0003533	1	FLAT WASHER	





POS	COD	Q.TÀ	DESCRIZIONE	ASSEMBLY NUMBER RANGE
1	L0003236	1	HEXAGON HEAD BOLT	
2	L0003320	2	HEXAGON NUT, TYPE-1	
3	L0001225	1	MOLLA RICHIAMO PEDALE	
4	L0003517	2	STANDARD SPRING WASHER	
5	L0003274	2	HEXAGON HEAD BOLT	
6	L0002677	1	ROTARY SHAFT BRACKET WELDMENT	
7	L0002687	1	ROTARY SHAFT BUSH UNIT	
8	L0003535	1	PLAIN WASHER	
9	L0003454	1	CIRCLIP FOR SHAFT	
10	L0002459	1	DUSTPROOF SLEEVE	
11	L0002339	1	HEXAGON HEAD BOLT	
12	L0002337	1	STANDARD SPRING WASHER	
13	L0002758	1	PEDAL ROCKER ARM WELDMENT	
14	L0003277	1	HEXAGON HEAD BOLT	
15	L0003850	1	SLEEVE BUSH	
16	L0002687	1	ROTARY SHAFT BUSH UNIT	

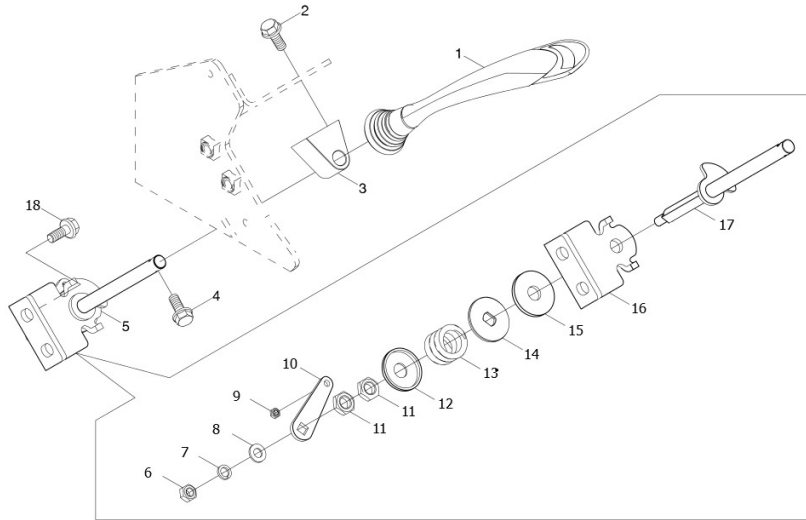




ARBOS

**3055
CAVO ACCELERATORE**

POS	COD	Q.TÀ	DESCRIZIONE	ASSEMBLY NUMBER RANGE
1	L0004201	1	THROTTLE WIRE FIXING SEAT UNIT	
2	L0001971	1	CABLAGGIO ACCELERATORE A MANO	
3	L0002385	3	PROCESS BLOCKING (HOLE DIAMETER 16)	
4	L0001969	1	CABLAGGIO ACCELERATORE A PEDALE	
5	L0003487	1	SPLIT PIN	
6	L0003547	1	PLAIN WASHER	
7	L0002386	1	FLAMEOUT WIRE FIXING HOLE PLUG	
8	L0002364	1	PLASTIC FASTENING STRAP	
9	L0003219	1	HEXAGON HEAD BOLT	
10	L0002631	1	THROTTLE WIRE FIXING SEAT	
11	L0003404	1	SMALL WASHER	
12	L0003483	1	SPLIT PIN	

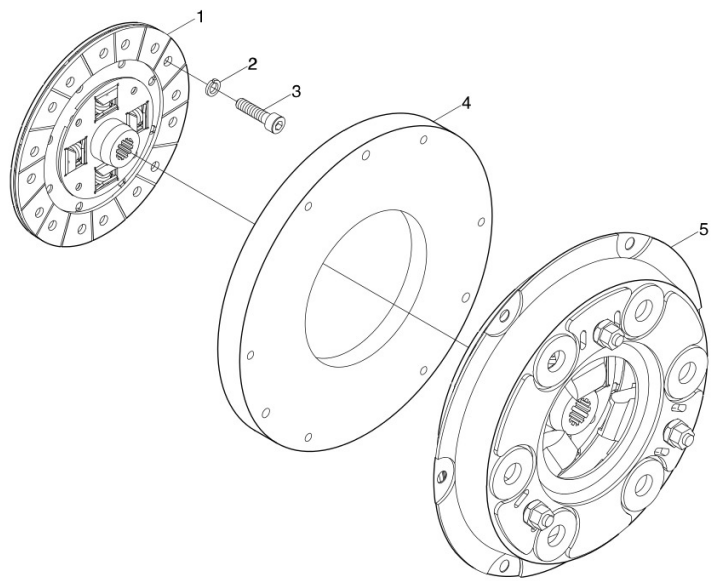




ARBOS

**3055
COMANDO ACCELERATORE A MANO**

POS	COD	Q.TÀ	DESCRIZIONE	ASSEMBLY NUMBER RANGE
1	L0003608	1	HANDLE ASSEMBLY	
2	L0003131	2	HEXAGON FLANGE NUT	
3	L0002620	1	GUIDE SEAT	
4	L0003124	1	HEXAGON FLANGE NUT	
5	L0002818	1	HAND THROTTLE CONTROL MECHANISM	
6	L0003320	1	HEXAGON NUT, TYPE-1	
7	L0003517	1	STANDARD SPRING WASHER	
8	L0003550	1	FLAT WASHER	
9	L0003352	1	HEXAGON LOCKING NUT,TYPE-1	
10	L0004560	1	HAND THROTTLE ROCKER	
11	L0002347	2	HEXAGON THIN NUT	
12	L0004557	1	SPRING SEAT	
13	L0004558	1	SPRING	
14	L0004559	1	BIG WASHER	
15	L0000472	1	DISCO FRIZIONE DEL FRENO A MANO	
16	L0004428	1	HAND THROTTLE SUPPORTING PLATE	
17	L0004427	1	HAND THROTTLE CONTROL ROD WELDMENT	
18	L0003108	2	HEXAGON FLANGE NUT	

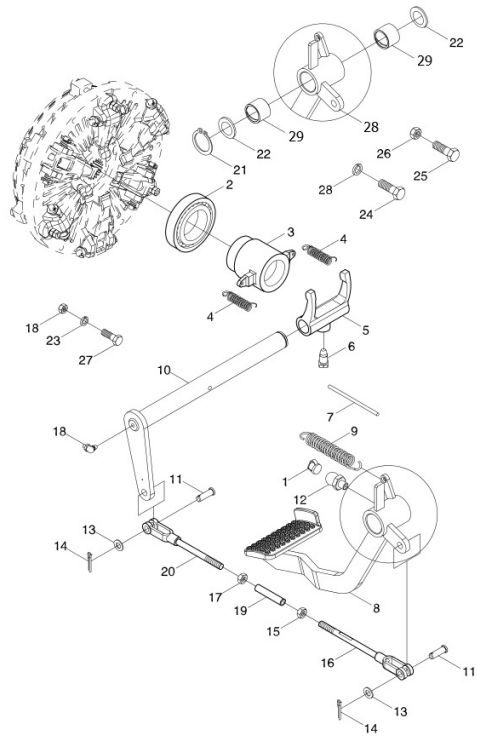




ARBOS

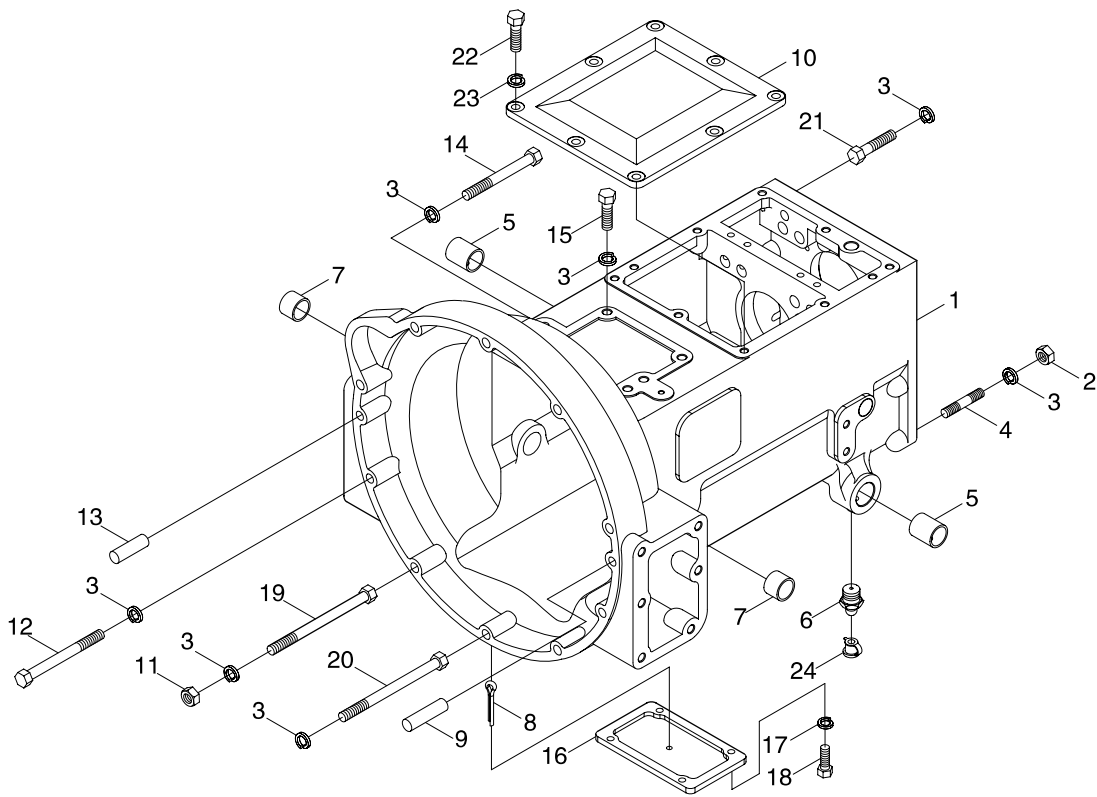
**3055
FRIZIONE**

POS	COD	Q.TÀ	DESCRIZIONE	ASSEMBLY NUMBER RANGE
1	L0003838	1	TORSIONAL BUFFER	
2	L0003515	6	STANDARD SPRING WASHER	
3	L0003357	6	INNER HEXAGON SCREW	
4	L0003839	1	TRANSITION PLATE	
5	L0003609	1	CLUTCH SUBASSEMBLY	



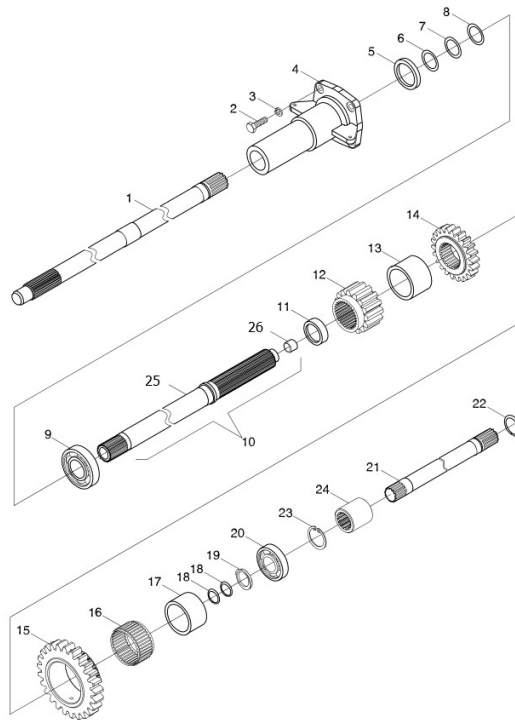


POS	COD	Q.TÀ	DESCRIZIONE	ASSEMBLY NUMBER RANGE
1	L0002354	1	DUSTPROOF CAP OF OIL CUP	
2	L0000553	1	CUSCINETTO	
3	L0003612	1	RELEASE BEARING SEAT	
4	L0002353	2	THRUST BEARING SEAT RETURN SPRING	
5	L0000359	1	FORCELLA	
6	L0002443	1	THRUST SCREW	
7	L0002543	1	LOW CARTON STEEL WIRE SZ-1.4	
8	L0003610	1	CLUTCH PEDAL UNIT	
9	L0002306	1	PEDAL RETURN SPRING	
10	L0002778	1	CLUTCH ROCKER SHAFT WELDMENT	
11	L0003436	2	PIN SHAFT	
12	L0003571	1	STRAIGHT FORCED FILLING OIL CUP	
13	L0003534	2	FLAT WASHER	
14	L0003494	2	SPLIT PIN	
15	L0003324	1	HEXAGON NUT, TYPE-1	
16	L0002544	1	UPPER PULL ROD WELDMENT	
17	L0003325	1	HEXAGON NUT, TYPE-1	
18	L0003336	1	HEXAGON THIN NUT	
19	L0001755	1	BIELLA	
20	L0002591	1	LOWER PULL ROD WELDMENT	
21	L0003459	1	CIRCLIP FOR SHAFT	
22	L0002441	2	WASHER	
23	L0002122	6	RONDELLA STANDARD	
24	L0003273	6	HEXAGON BOLT	
25	L0003249	1	HEXAGON BOLT	
26	L0003307	1	HEXAGON NUT, TYPE-1	
27	L0003276	1	HEXAGON BOLT	
28	L0003611	1	CLUTCH PEDAL WELDMENT	
29	L0000402	2	FORCELLA ALBERO	



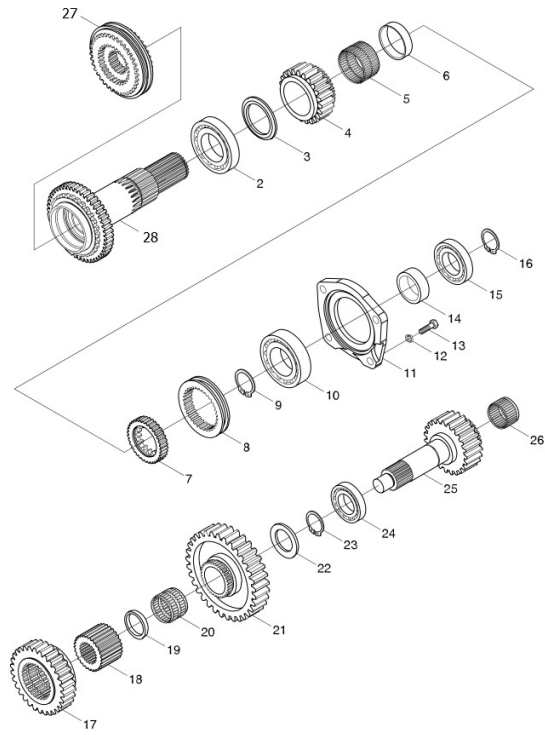
**ARBOS****3055
CARTER**

POS	COD	Q.TÀ	DESCRIZIONE	ASSEMBLY NUMBER RANGE
1	L0003851	1	GEARBOX HOUSING	
2	L0002356	10	NUT	
3	L0002219	24	RONDELLA	
4	L0003479	10	STUD	
5	L0000401	2	ALBERO PEDALE	
6	L0003570	2	OIL CUP	
7	L0000402	2	FORCELLA ALBERO	
8	L0003501	1	SPLIT PIN	
9	L0003097	3	PIN	
10	L0002866	1	GEARBOX UPPER COVER	
11	L0003310	3	NUT	
12	L0003227	1	BOLT	
13	L0003095	1	PIN	
14	L0003230	2	BOLT	
15	L0003254	4	BOLT	
16	L0002679	1	LOWER PLUG COVER	
17	L0003504	4	WASHER	
18	L0003240	4	BOLT	
19	L0002635	3	BOLT M12X160	
20	L0002493	1	BOLT M12X125	
21	L0003281	2	HEX BOLT	
22	L0003274	8	HEXAGON HEAD BOLT	
23	L0003517	8	STANDARD SPRING WASHER	
24	L0002354	2	DUSTPROOF CAP OF OIL CUP	



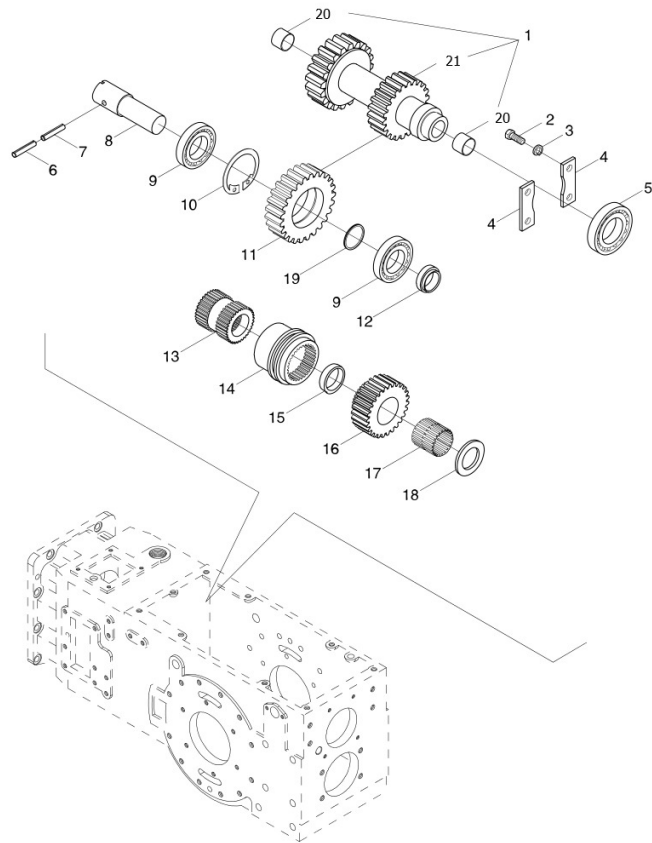


POS	COD	Q.TÀ	DESCRIZIONE	ASSEMBLY NUMBER RANGE
1	L0003622	1	AUXILIARY CLUTCH SHAFT	
2	L0003275	8	HEXAGON BOLT	
3	L0002122	8	RONDELLA STANDARD	
4	L0003621	1	SHAFT BEARING COVER	
5	L0003555	1	SEAL RING	
6	L0001243	1	GUARNIZIONE	
7	L0001244	1	GUARNIZIONE	
8	L0001245	1	GUARNIZIONE	
9	L0003154	1	DEEP GROOVE BALL BEARING	
10	L0003624	1	SHAFT UNIT	
11	NFS	1	NON FORNITO SEPARATAMENTE	
12	L0003626	1	DRIVEN GEAR	
13	L0003846	1	GEAR SPACER	
14	L0003627	1	DRIVING GEAR	
15	L0001236	1	? Driving Gear	
16	L0001973	1	CUSCINETTO A RULLI	
17	L0001247	1	III INGRANAGGIO	
18	L0002308	2	ORING SMALL SHAFT PTO	
19	L0002659	1	WASHER	
20	L0003147	1	DEEP GROOVE BALL BEARING	
21	L0003625	1	PTO CONNECTING SHAFT	
22	L0003474	1	STEEL WIRE CIRCLIP FOR SHAFT	
23	L0003448	1	CIRCLIPS FOR HOLE	
24	L0000388	1	BOCCHETTONE	
25	L0003623	1	SHAFT	
26	L0002609	1	SLEEVE	



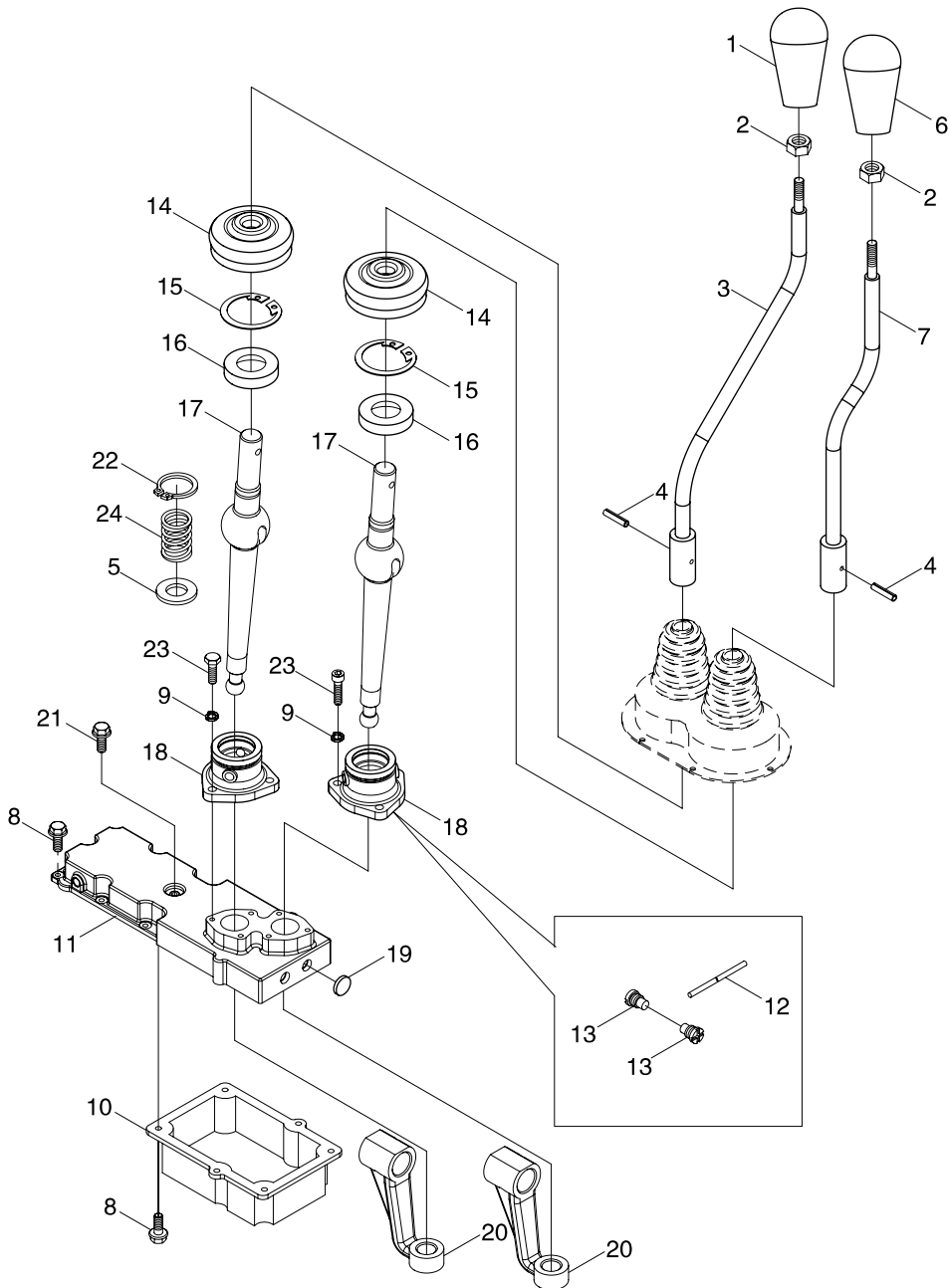


POS	COD	Q.TÀ	DESCRIZIONE	ASSEMBLY NUMBER RANGE
1	L0003853	1	SYNCHRONIZER INSTALLATION ASSEMBLY	
2	L0003170	1	BEARING	
3	L0002595	1	CIRCLIP	
4	L0001101	1	INGRANAGGIO TRASMISSIONE	
5	L0001119	1	INGRANAGGIO CONDOTTO	
6	L0001102	1	BOCCOLA DISTANZIATRICE	
7	L0001103	1	INGRANAGGIO SEDILE	
8	L0001104	1	MANICOTTO SCORREVOLE	
9	L0003469	1	CIRCLIP FOR SHAFT	
10	L0003173	1	BEARING	
11	L0002713	1	ASSISTANT GEAR BEARING COVER	
12	L0003504	4	WASHER	
13	L0003243	4	OUTPUT SHAFT	
14	L0000412	1	BOCCOLA DISTANZIATRICE	
15	L0003166	1	BEARING	
16	L0003466	1	CIRCLIP	
17	L0001105	1	INGRANAGGIO CONDOTTO	
18	L0001106	1	INGRANAGGIO SEDILE	
19	L0000375	1	BOCCOLA DISTANZIATRICE	
20	L0000860	1	CUSCINETTO A RULLI	
21	L0000584	1	INGRANAGGIO CONDOTTO	
22	L0001108	1	ANELLO TENUTA	
23	L0003464	1	CIRCLIP	
24	L0003172	1	BEARING	
25	L0001107	1	ALBERO CAMBIO AUSILIARIO	
26	L0000759	1	BOCCOLA	
27	L0003852	1	SYNCHRONIZER ASSEMBLY	
28	L0002930	1	4TH GEAR SYNCHRONOUS CONE RING WELDMENT	



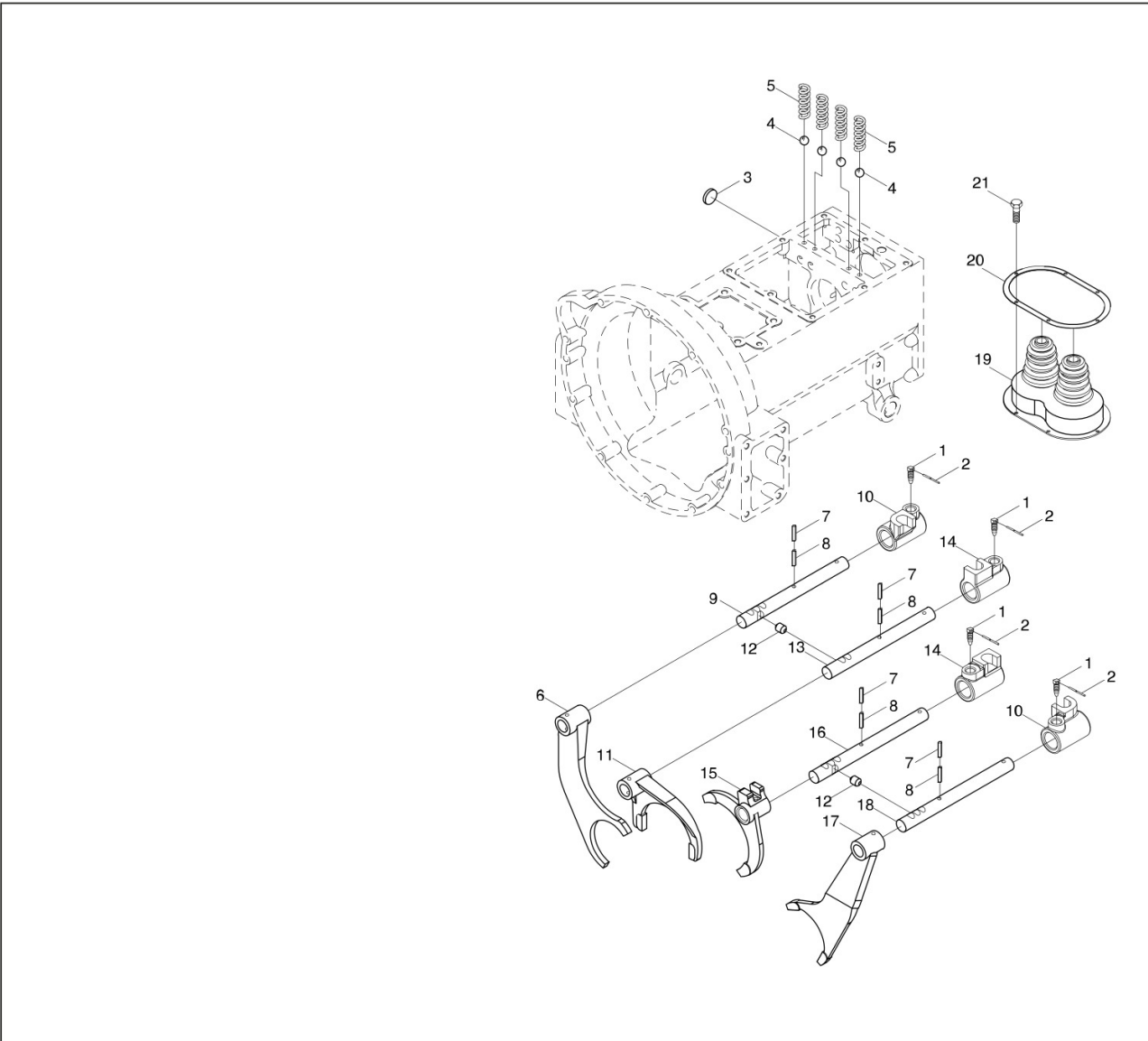
**ARBOS****3055
ALBERO RETROMARCIA**

POS	COD	Q.TÀ	DESCRIZIONE	ASSEMBLY NUMBER RANGE
1	L0000934	1	ALBERO DI INVERSIONE	
2	L0003240	4	BOLT	
3	L0003504	4	WASHER	
4	L0002439	2	BEARING PRESSURE PLATE	
5	L0003168	1	COLUMN ROLLER BEARING	
6	L0003421	1	SPRING COLUMN PIN	
7	L0003428	1	SPRING COLUMN PIN	
8	L000939	1	Reverse Idler Gear Shaft	
9	L0003167	2	COLUMN ROLLER BEARING	
10	L0003451	1	CIRCLIPS FOR HOLE	
11	L000938	1	Reverse Idler Gear	
12	L000943	1	Reverse Idler Gear Shaft Spacer Sleeve	
13	L0002843	1	MESHING SEAT	
14	L000935	1	Gearshift Shift Collar	
15	L0002614	1	SPACER BUSH	
16	L000936	1	Reverse Driven Gear	
17	L0000864	1	CUSCINETTO A RULLI	
18	L0002588	1	ADJUSTING WASHER	
19	L0001141	1	RONDELLA	
20	L0002609	2	SLEEVE	
21	L0003836	1	REVERSE MIDDLE GEAR SHAFT	



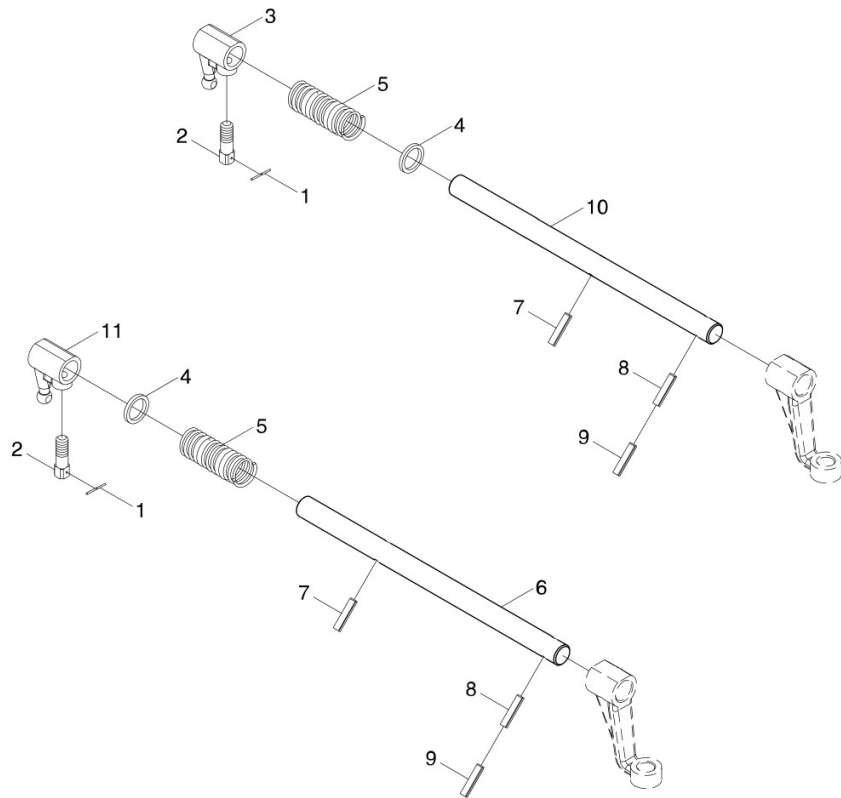
**ARBOS****3055
LEVE COMANDI ESTERNI**

POS	COD	Q.TÀ	DESCRIZIONE	ASSEMBLY NUMBER RANGE
1	L0002230	1	MAIN GEARSHIFT CONTROL HANDLE	
2	L0003333	2	HEXAGON THIN NUT	
3	L0002840	1	MAIN GEARLEVER WELDMENT	
4	L0003587	2	PIN	
5	L0003540	2	FLAT WASHER	
6	L0002231	1	AUXILIARY GEARSHIFT CONTROL HANDLE	
7	L0002844	1	ASSISTANT GEARLEVER WELDMENT	
8	L0003133	13	HEXAGON FLANGE BOLT	
9	L0002122	6	RONDELLA STANDARD	
10	L0002861	1	SIDE CONTROL LOWER COVER	
11	L0003630	1	SIDE CONTROL UPPER COVER	
12	L0002650	4	LOW CARBON STEEL WIRE SZ-1.4X250	
13	L0002510	4	GEARLEVER LOCATING PIN	
14	L0000404	2	LEVA CAMBIO ANTIPOLVERE PER COFANO	
15	L0003449	2	CIRCLIPS FOR HOLE	
16	L0002435	2	NYLON SEAT	
17	L0002811	2	LOWER CONTROL ROD	
18	L0002787	2	AUXILIARY GEARLEVER SEAT	
19	L0002411	2	PLUG PIECE	
20	L0002660	2	FORK HEAD	
21	L0003139	1	HEXAGON FLANGE BOLT	
22	L0002455	2	CIRCLIP FOR SHAFT	
23	L0003365	6	INNER HEXAGON SCREW	
24	L0002473	2	GEARLEVER SPRING	





POS	COD	Q.TÀ	DESCRIZIONE	ASSEMBLY NUMBER RANGE
1	L0002497	4	LOCKING SCREW	
2	L0002650	4	LOW CARBON STEEL WIRE SZ-1.4X250	
3	L0002536	2	PLUG PIECE	
4	L0003185	4	STEEL BALL	
5	L0000387	4	MOLLA ALBERO FORCELLA	
6	L0001113	1	INGRANAGGIO FORCELLA	
7	L0003415	8	SPRING COLUMN PIN	
8	L0003419	4	SPRING COLUMN PIN	
9	L0002706	1	HIGH AND LOW GEAR FORK SHAFT	
10	L0001254	2	I-II TESTA FORCELLA	
11	L0001114	1	FORCELLA	
12	L0000396	2	PERNO	
13	L0002707	1	MIDDLE GEAR FORK SHAFT	
14	L0001255	2	FORCELLA	
15	L0001248	1	FORCELLA	
16	L0001253	1	III-IV FORCELLA CARDANO	
16	L0002755	1	FORK SHAFT	
16	L0002747	1	FORK SHAFT	
16	L0002748	1	FORK SHAFT	
16	L0002749	1	FORK SHAFT	
17	L0001251	1	FORCELLA	
18	L0001252	1	I-II ALBERO FORCELLA	
18	L0002756	1	GEAR FORK SHAFT	
18	L0002750	1	GEAR FORK SHAFT	
18	L0002751	1	GEAR FORK SHAFT	
18	L0002752	1	GEAR FORK SHAFT	
19	L0002663	1	GEARLEVER SLEEVE	
20	L0002627	1	SLEEVE PRESSURE PLATE	
21	L0003295	6	HEXAGON FLANGE BOLT	

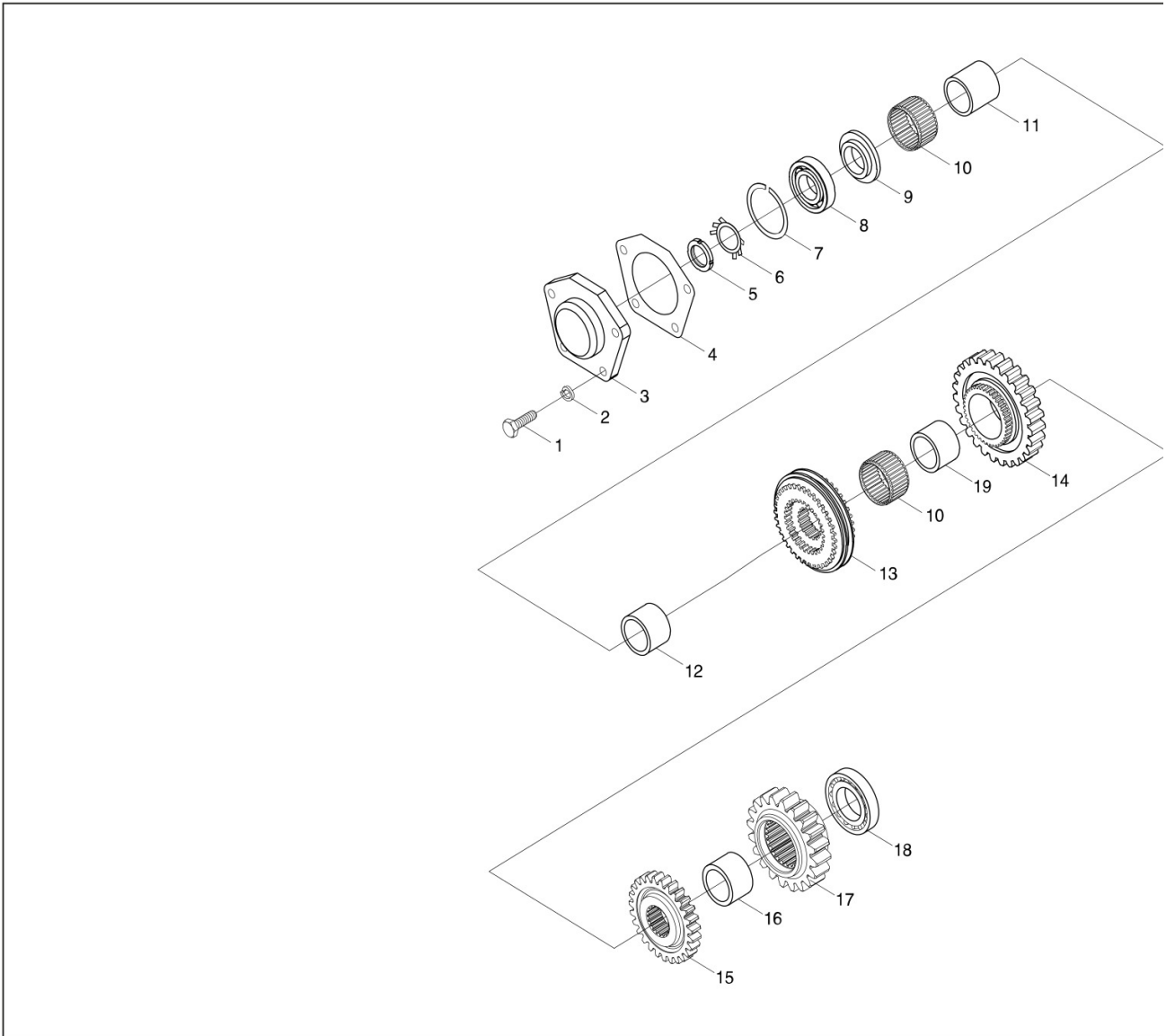




ARBOS

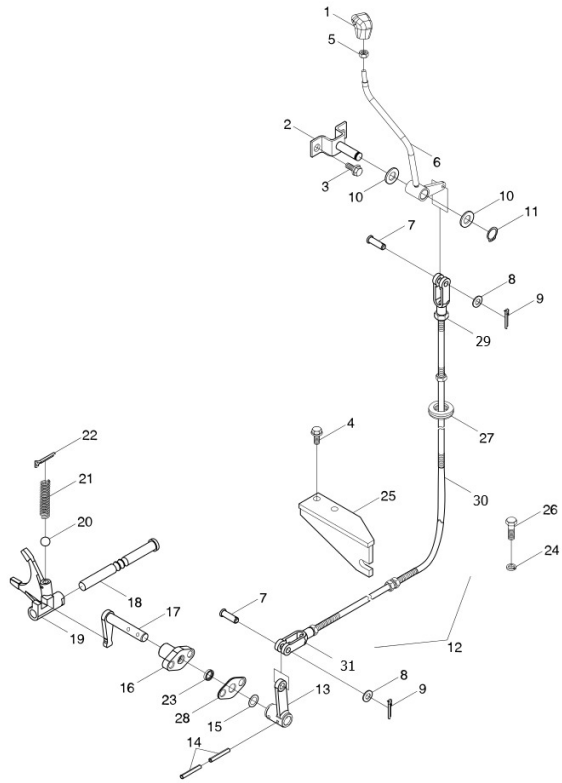
**3055
ASTE**

POS	COD	Q.TÀ	DESCRIZIONE	ASSEMBLY NUMBER RANGE
1	L0002650	4	LOW CARBON STEEL WIRE SZ-1.4X250	
2	L0002497	2	LOCKING SCREW	
3	L0002637	1	SIDE CONTROL INNER FORK HEAD	
4	L0002491	2	SPRING WASHER	
5	L0002454	2	LOCATING SPRING	
6	L0002784	1	MAIN SPEED TRANSSMISSION ROD	
7	L0003424	2	SPRING COLUMN PIN	
8	L0003412	2	SPRING COLUMN PIN	
9	L0003425	2	SPRING COLUMN PIN	
10	L0002773	1	AUXILIARY GEAR ROD	
11	L0003631	1	SIDE CONTROL INNER FORK HEAD	



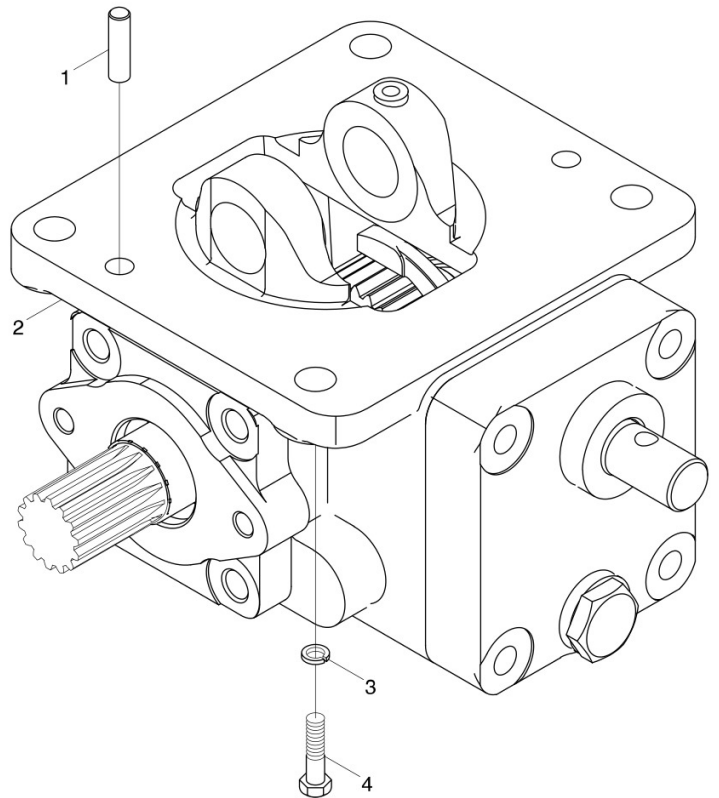


POS	COD	Q.TÀ	DESCRIZIONE	ASSEMBLY NUMBER RANGE
1	L0003275	8	HEXAGON BOLT	
2	L0002122	8	RONDELLA STANDARD	
3	L0002685	1	SHAFT BEARING COVER	
4	L0002520	1	SHAFT BEARING COVER PAPER GASKET	
5	L0003370	1	ROUND NUT	
6	L0003405	1	THRUST WASHER FOR ROUND NUT	
7	L0002590	1	THRUST RING	
8	L0003162	1	DEEP GROOVE BALL BEARING	
9	L0001090	1	II ANELLO TENUTA ALBERO	
10	L0001087	1	CUSCINETTO A RULLI	
11	L0000413	1	I-II INGRANAGGIO ALBERO	
12	L0001089	1	I INGRANAGGIO	
13	L0001725	1	INGRANAGGIO SINCRONIZZATORE	
14	L0003628	1	DRIVEN GEAR	
15	L0001238	1	III INGRANAGGIO CONDOTTO	
16	L0000374	1	III E IV INGRANAGGIO DISTANZIALE	
17	L0001237	1	IV INGRANAGGIO CONDOTTO	
18	L0003169	1	COLUMN ROLLER BEARING	
19	L0001096	1	BOCCOLA DISTANZIATRICE	





POS	COD	Q.TÀ	DESCRIZIONE	ASSEMBLY NUMBER RANGE
1	L0003640	1	HANDLE BALL ASSEMBLY	
2	L0002681	1	BRACKET WELDMENT	
3	L0003133	2	HEXAGON FLANGE BOLT	
4	L0003108	2	HEXAGON FLANGE NUT	
5	L0003337	1	HEXAGON THIN NUT	
6	L0004433	1	SHUTTLE SHIFT CONTROL LEVER WELDMENT	
7	L0002599	2	PIN SHAFT	
8	L0003551	2	FLAT WASHER	
9	L0003494	2	SPLIT PIN	
10	L0002488	2	SLEEVE	
11	L0003472	1	CIRCLIP FOR SHAFT	
12	L0002310	1	SOFT SHAFT OF SHUTTLE GEAR	
13	L0003859	1	ROCKER	
14	L0003589	2	PIN	
15	L0003199	1	RUBBER O-SEAL RING	
16	L0003849	1	LEVER SHAFT SLEEVE	
17	L0002700	1	LEVER ROCKER ARM	
18	L0000440	1	FORCELLA ALBERO DI INVERSIONE	
19	L0000441	1	INGRANAGGIO FORCELLA	
20	L0003186	1	STEEL BALL	
21	L0000636	1	MOLLA ALBERO FORCELLA	
22	L0003498	1	SPLIT PIN	
23	L0004436	1	OIL SEAL FB16X26X7D	
24	L0003505	2	STANDARD SPRING WASHER	
25	L0002699	1	SUPPORT PLATE WELDMENT	
26	L0003825	2	BOLT M10Ã?30	
27	L0003875	1	RUBBER RING	
28	L0003848	1	LEVER BUSH SEAL GASKET	
29	L0003336	2	HEXAGON THIN NUT	
30	L0003857	1	SOFT SHAFT MAIN BODY	
31	L0003858	2	PULL FORK	

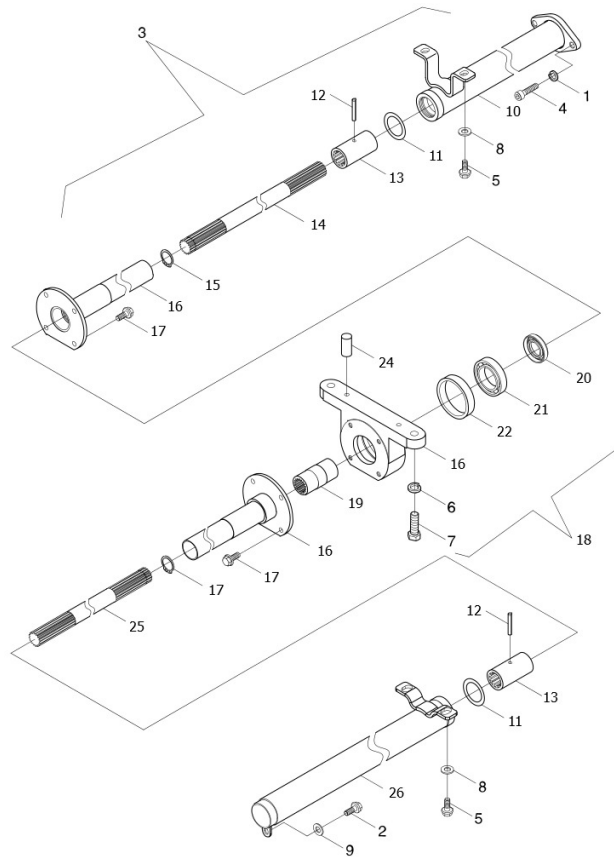




ARBOS

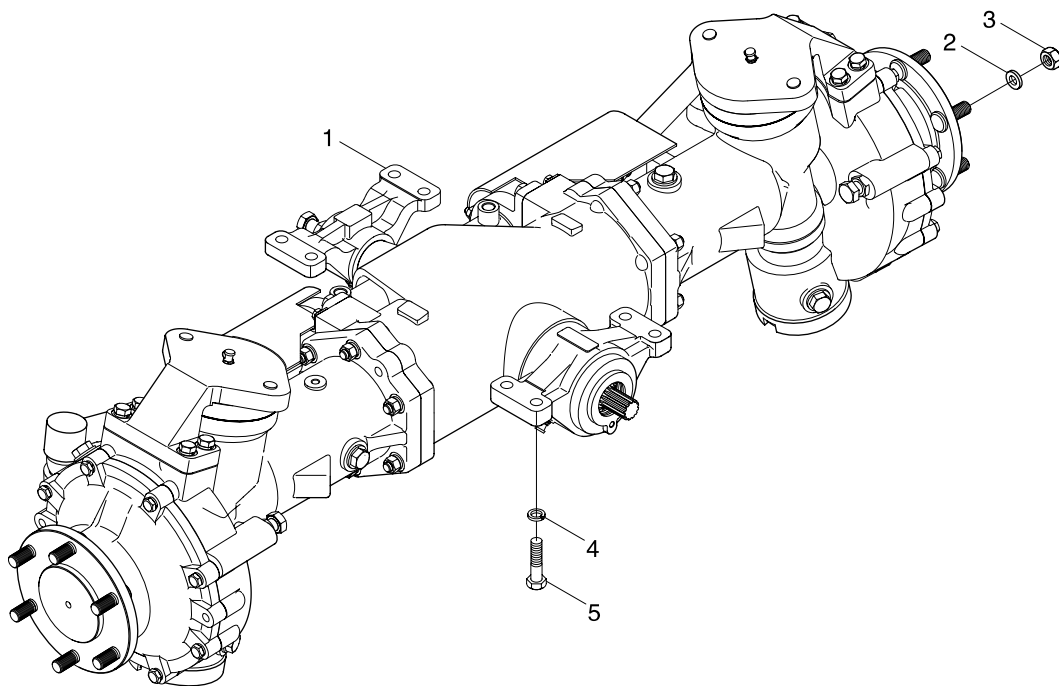
3055
RINVIO DOPPIA TRAZIONE

POS	COD	Q.TÀ	DESCRIZIONE	ASSEMBLY NUMBER RANGE
1	L0003093	2	COLUMN PIN	
2	L0003708	1	TRANSFER CASE SUBASSEMBLY	
3	L0003505	4	STANDARD SPRING WASHER	
4	L0003243	4	OUTPUT SHAFT	





POS	COD	Q.TÀ	DESCRIZIONE	ASSEMBLY NUMBER RANGE
1	L0002122	2	RONDELLA STANDARD	
2	L0003131	1	HEXAGON FLANGE NUT	
3	L0003709	1	TRANSMISSION SHAFT ASSEMBLY	
4	L0003362	2	INNER HEXAGON SCREW	
5	L0003105	4	HEXAGON FLANGE NUT	
6	L0003506	2	STANDARD SPRING WASHER	
7	L0003256	2	HEXAGON BOLT	
8	L0003534	4	FLAT WASHER	
9	L0003551	1	FLAT WASHER	
10	L0003710	1	GUARD SLEEVE WELDMENT (1)	
11	L0003204	2	RUBBER O-SEAL RING	
12	L0003426	2	SPRING-TYPE STRAIGHT PIN	
13	L0000526	2	ALBERO CARDANICO	
14	L0003711	1	REAR TRANSMISSION SHAFT	
15	L0003460	2	CIRCLIP FOR SHAFT	
16	L0002834	2	SHIELD (2) WELDMENT	
17	L0003133	8	HEXAGON FLANGE BOLT	
18	L0001166	1	CUSCINETTO	
19	L0003002	1	MIDDLE SPLINE BUSH	
20	L0003553	2	SEAL RING	
21	L0003147	1	DEEP GROOVE BALL BEARING	
22	L0002521	1	RUBBER RING	
23	L0003003	1	MIDDLE BEARING SEAT	
24	L0003100	2	COLUMN PIN	
25	L0000582	1	ALBERO TRASMISSIONE ANTERIORE	
26	L0002878	1	GUARD SLEEVE WELDMENT (3)	

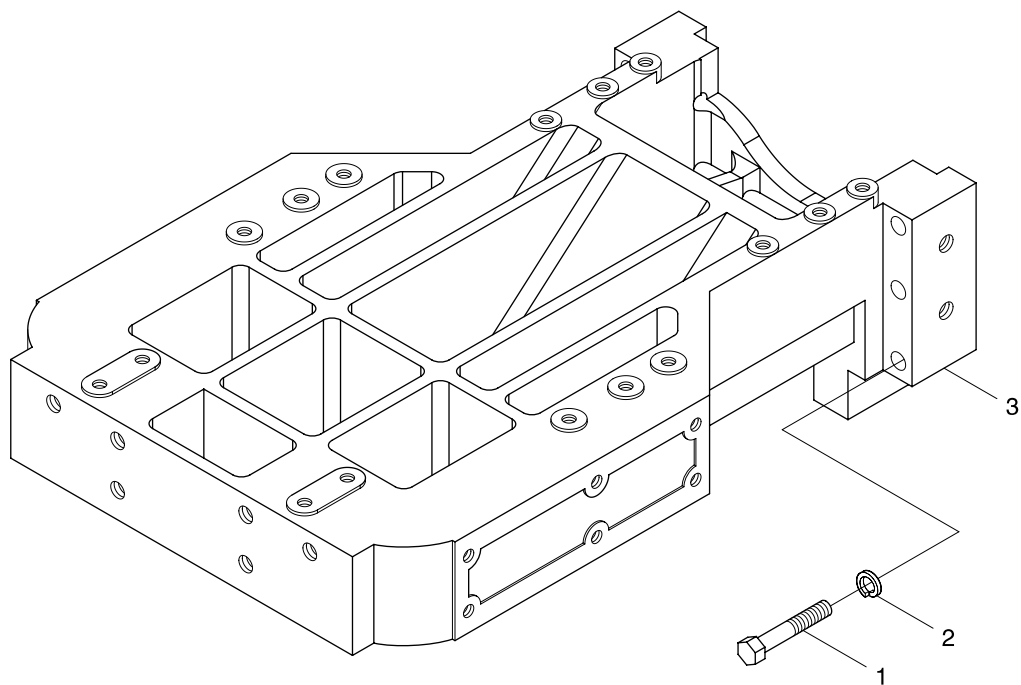




ARBOS

**3055
ASSALE**

POS	COD	Q.TÀ	DESCRIZIONE	ASSEMBLY NUMBER RANGE
1	L0002973	1	FRONT DRIVING AXLE SUB-ASSEMBLY	
2	L0002514	12	WASHER	
3	L0003339	12	HEXAGON NUT, TYPE-2	
4	L0003507	8	STANDARD SPRING WASHER	
5	L0002440	8	HEXAGON BOLT	

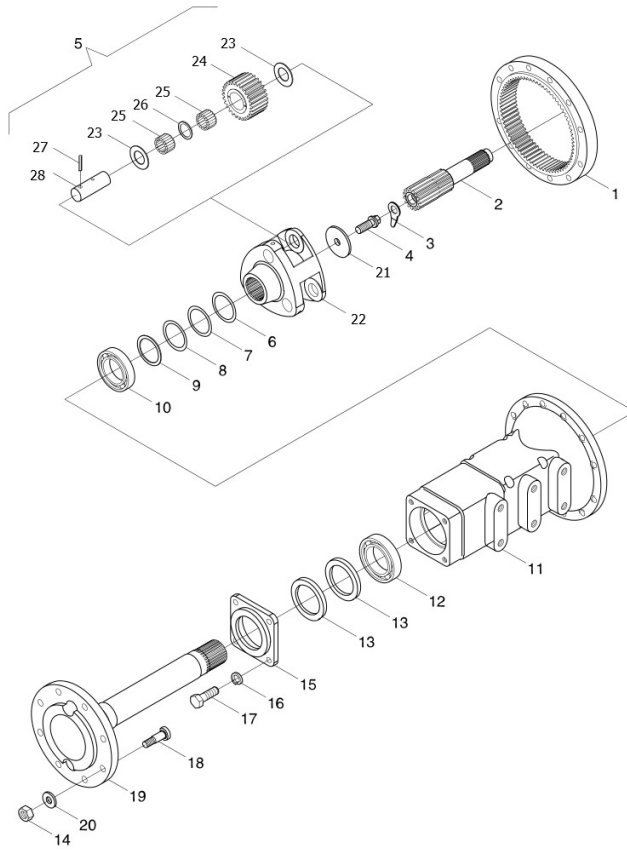




ARBOS

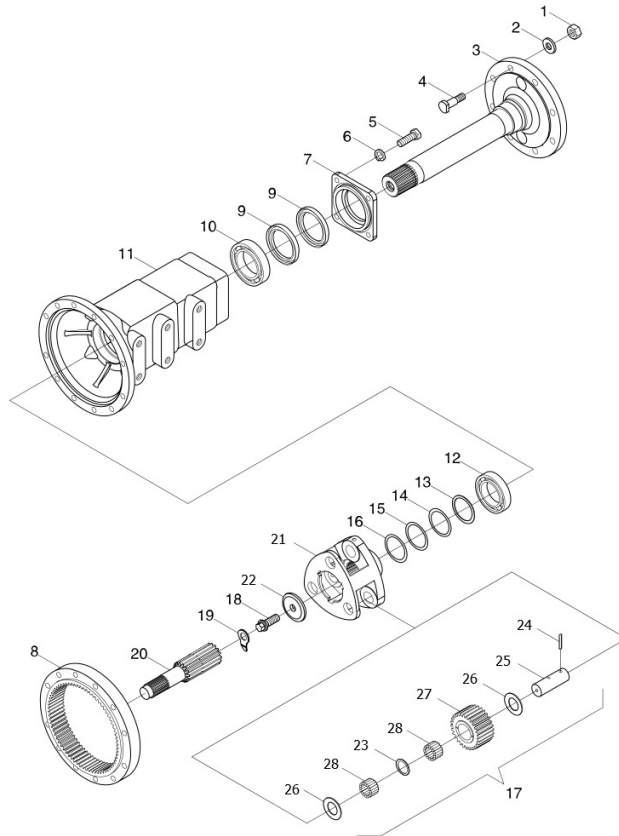
3055
SUPPORTO ASSALE

POS	COD	Q.TÀ	DESCRIZIONE	ASSEMBLY NUMBER RANGE
1	L0002547	6	HEX BOLT M16X105-10.9-A2L	
2	L0002477	6	WASHER	
3	L0001140	1	SUPPORTO ASSIALE	



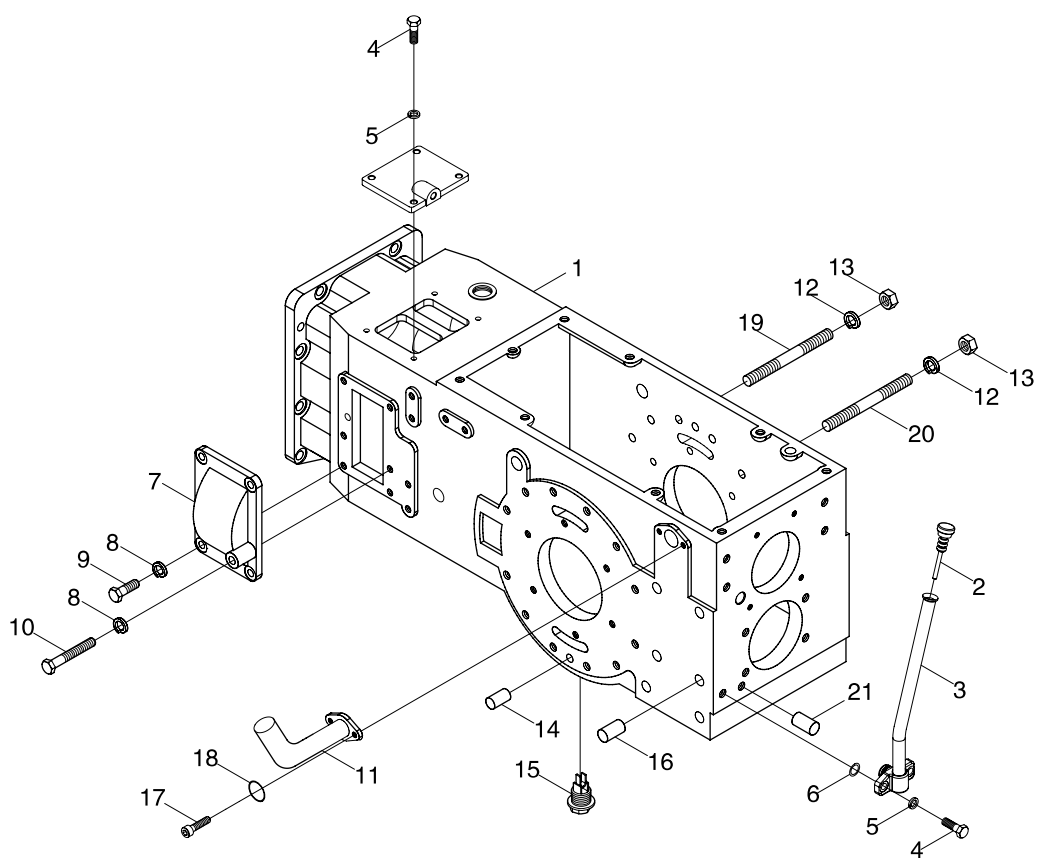


POS	COD	Q.TÀ	DESCRIZIONE	ASSEMBLY NUMBER RANGE
1	L000943	1	Reverse Idler Gear Shaft Spacer Sleeve	
2	L000942	1	Left Final Transmission Half Shaft	
3	L0002447	1	DRIVING SHAFT LOCK PIECE	
4	L0002504	1	DRIVING SHAFT LOCK BOLT	
5	L000941	1	Final Transmission Planet Bracket Assembly	
6	L0002407	1	ADJUSTING WASHER	
7	L0002408	1	ADJUSTING WASHER	
8	L0002409	1	ADJUSTING WASHER	
9	L0002505	1	SPACER BUSH	
10	L0003157	1	DEEP GROOVE BALL BEARING	
11	L0003641	1	LEFT DRIVING SHAFT HOUSING	
12	L0003158	1	DEEP GROOVE BALL BEARING	
13	L0003558	2	SEAL RING	
14	L0002535	8	HEXAGON NUT TYPE-2	
15	L0002804	1	OIL SEAL SEAT	
16	L0003506	4	STANDARD SPRING WASHER	
17	L0003252	4	HEXAGON BOLT	
18	L0002321	8	REAR HUB BOLT (LEFT)	
19	L0000451	1	ALBERO	
20	L0002512	8	WASHER	
21	L0002645	1	RETAINER BLOCK	
22	L0000446	1	INGRANAGGIO PORTANTE	
23	L0000450	6	ANELLO DISTANZIALE	
24	L000942	3	Left Final Transmission Half Shaft	
25	L0003807	6	NEEDLE	
26	L0000447	3	ANELLO DISTANZIALE	
27	L0002525	3	PIN	
28	L0000448	3	INGRANAGGIO PLANETARIO ALBERO	



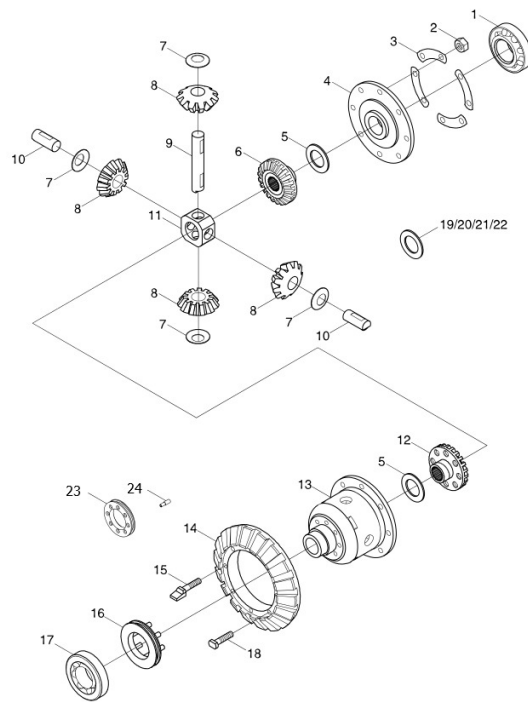


POS	COD	Q.TÀ	DESCRIZIONE	ASSEMBLY NUMBER RANGE
1	L0003340	8	HEXAGON NUT, TYPE-2	
2	L0002512	8	WASHER	
3	L0000451	1	ALBERO	
4	L0002320	8	REAR HUB BOLT (RIGHT)	
5	L0003252	4	HEXAGON BOLT	
6	L0003506	4	STANDARD SPRING WASHER	
7	L0002804	1	OIL SEAL SEAT	
8	L000943	1	Reverse Idler Gear Shaft Spacer Sleeve	
9	L0003558	2	SEAL RING	
10	L0003158	1	DEEP GROOVE BALL BEARING	
11	L0003642	1	RIGHT DRIVING SHAFT HOUSING	
12	L0003157	1	DEEP GROOVE BALL BEARING	
13	L0002505	1	SPACER BUSH	
14	L0002407	1	ADJUSTING WASHER	
15	L0002408	1	ADJUSTING WASHER	
16	L0002409	1	ADJUSTING WASHER	
17	L000941	1	Final Transmission Planet Bracket Assembly	
18	L0002504	1	DRIVING SHAFT LOCK BOLT	
19	L0002447	1	DRIVING SHAFT LOCK PIECE	
20	L000944	1	Right Final Transmission Half Shaft	
21	L0000446	1	INGRANAGGIO PORTANTE	
22	L0002645	1	RETAINER BLOCK	
23	L0002525	3	PIN	
24	L0000447	3	ANELLO DISTANZIALE	
25	L0000448	3	INGRANAGGIO PLANETARIO ALBERO	
26	L0000450	6	ANELLO DISTANZIALE	
27	L000942	3	Left Final Transmission Half Shaft	
28	L0003807	6	NEEDLE	



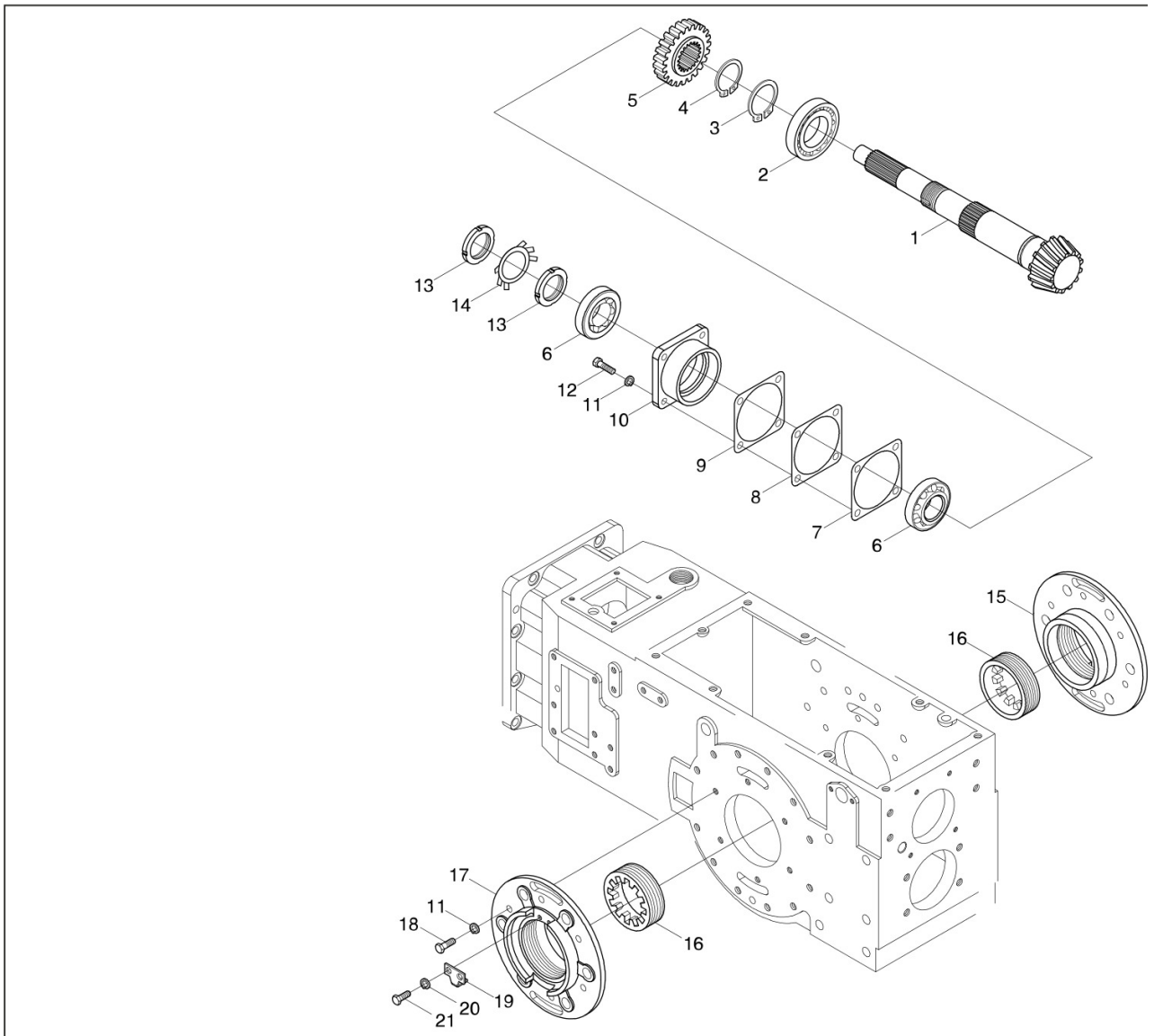


POS	COD	Q.TÀ	DESCRIZIONE	ASSEMBLY NUMBER RANGE
1	L0003637	1	REAR AXLE HOUSING	
2	L0003639	1	DIPSTICK ASSEMBLY	
3	L0003638	1	OIL DIPSTICK PIPE WELDMENT	
4	L0003365	2	INNER HEXAGON SCREW	
5	L0002122	4	RONDELLA STANDARD	
6	L0003196	1	O-RING	
7	L0002794	1	REVERSE SIDE COVER	
8	L0003505	6	STANDARD SPRING WASHER	
9	L0003240	5	BOLT	
10	L0003223	1	HEXAGON BOLT	
11	L0003854	1	FILLING CAP ASSEMBLY	
12	L0003506	24	STANDARD SPRING WASHER	
13	L0002346	24	HEXAGON NUT TYPE-1	
14	L0003096	2	COLUMN PIN	
15	L0003007	1	OIL PLUG ASSEMBLY	
16	L0002498	4	PIN	
17	L0003361	2	INNER HEXAGON SCREW	
18	L0003202	1	RUBBER O-SEAL RING	
19	L0003089	4	DOUBLE END STUDS	
20	L0003088	20	DOUBLE END STUDS	
21	L0002395	2	COLUMN PIN	



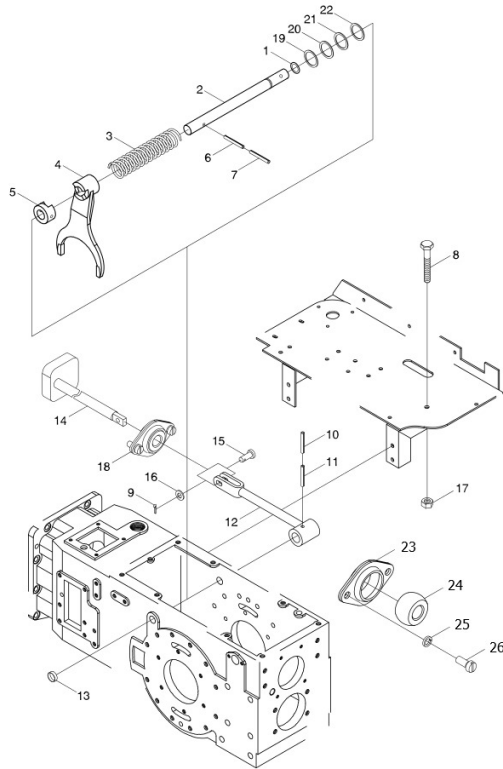


POS	COD	Q.TÀ	DESCRIZIONE	ASSEMBLY NUMBER RANGE
1	L0003178	1	TAPERED ROLLER BEARING	
2	L0003310	8	NUT	
3	L0002463	4	LOCKING WASHER	
4	L0002894	1	DIFFERENTIAL COVER	
5	L0002674	1	HALF SHAFT GEAR WASHER	
6	L0002879	1	RIGHT HALF SHAFT GEAR	
7	L0002542	4	PLANET GEAR WASHER	
8	L0000428	4	INGRANAGGIO PLANETARIO	
9	L0000435	1	INGRANAGGIO PLANETARIO	
10	L0000436	2	INGRANAGGIO PLANETARIO	
11	L0002829	1	CENTRAL RING	
12	L0002872	1	LEFT HALF SHAFT GEAR	
13	L0002917	1	DIFFERENTIAL HOUSING	
14	L0000426	1	INGRANAGGIO SEDILE	
15	L0002600	4	PLANET GEAR SHAFT THRUST BOLT	
16	L0000421	1	BLOCCO DIFFERENZIALE	
17	L0003176	1	TAPERED ROLLER BEARING	
18	L0002533	4	FIXING BOLT	
19	L0002994	1	HALF SHAFT GEAR WASHER	
20	L0002995	1	HALF SHAFT GEAR WASHER	
21	L0002996	1	HALF SHAFT GEAR WASHER	
22	L0002997	1	HALF SHAFT GEAR WASHER	
23	L0002807	1	DIFFERENTIAL LOCK BODY	
24	L0002993	8	DIFFERENTIAL LOCK PIN	



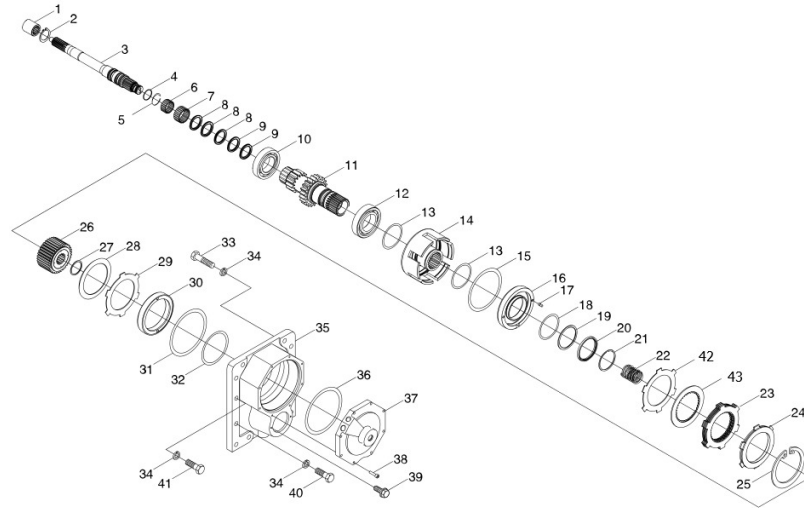


POS	COD	Q.TÀ	DESCRIZIONE	ASSEMBLY NUMBER RANGE
1	L0000937	1	INGRANAGGIO ALBERO	
2	L0003171	1	COLUMN ROLLER BEARING	
3	L0003469	1	CIRCLIP FOR SHAFT	
4	L0003468	1	CIRCLIP FOR SHAFT	
5	L0001142	1	INGRANAGGIO ANTERIORE	
6	L0003179	2	TAPERED ROLLER BEARING	
7	L0000423	1	INGRANAGGIO GUARNIZIONE	
8	L0000424	1	INGRANAGGIO GUARNIZIONE	
9	L0000425	1	INGRANAGGIO GUARNIZIONE	
10	L0000422	1	CUSCINETTO SEDILE	
11	L0003505	16	STANDARD SPRING WASHER	
12	L0003243	4	OUTPUT SHAFT	
13	L0003373	2	ROUND NUT	
14	L0003408	1	THRUST WASHER FOR ROUND NUT	
15	L0003636	1	RIGHT DIFFERENTIAL BEARING SEAT	
16	L0000429	2	REGOLAZIONE DADO	
17	L0003635	1	LEFT DIFFERENTIAL BEARING SEAT	
18	L0003240	12	BOLT	
19	L0000433	2	RONDELLA	
20	L0002122	4	RONDELLA STANDARD	
21	L0002352	4	BOLT	





POS	COD	Q.TÀ	DESCRIZIONE	ASSEMBLY NUMBER RANGE
1	L0003196	1	O-RING	
2	L0000430	1	FORCELLA DIFFERENZIALE	
3	L0000432	1	MOLLA BLOCCO DIFFERENZIALE	
4	L0000431	1	FORCELLA BLOCCO DIFFERENZIALE	
5	L0000437	1	ASTA BLOCCAGGIO DIFFERENZIALE	
6	L0003427	1	SPRING-TYPE STRAIGHT PIN	
7	L0003433	1	SPRING-TYPE STRAIGHT PIN	
8	L0003221	1	HEXAGON HEAD BOLT	
9	L0003489	1	SPLIT PIN	
10	L0003426	1	SPRING-TYPE STRAIGHT PIN	
11	L0003432	1	SPRING-TYPE STRAIGHT PIN	
12	L0002676	1	ROCKER ARM WELDMENT	
13	L0002411	1	PLUG PIECE	
14	L0002541	1	DIFFERENTIAL LOCK PEDAL UNIT	
15	L0002344	1	PIN SHAFT	
16	L0003547	1	PLAIN WASHER	
17	L0003320	1	HEXAGON NUT, TYPE-1	
18	L0002657	1	SEAL LINING SEAT ASSEMBLY	
19	L0002358	1	ADJUSTING WASHER	
20	L0002376	1	ADJUSTING WASHER	
21	L0002377	1	ADJUSTING WASHER	
22	L0002378	1	ADJUSTING WASHER	
23	L0002633	1	SPHERICAL SHAFT SEAT	
24	L0002539	1	SPHERICAL SHAFT LINING	
25	L0003514	1	STANDARD SPRING WASHER	
26	L0003386	1	CROSS RECESSED PAN HEAD SCREW	





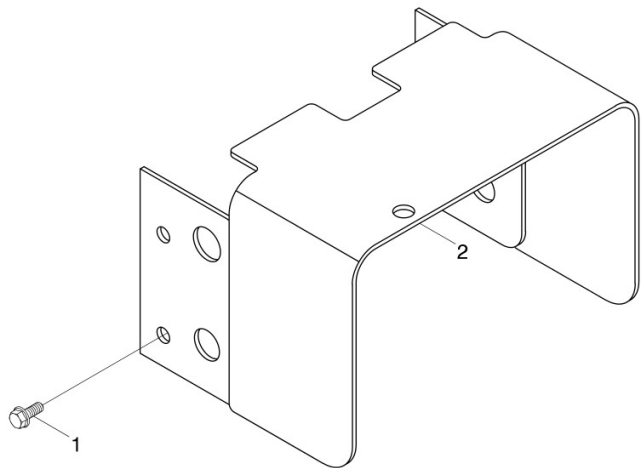
POS	COD	Q.TÀ	DESCRIZIONE	ASSEMBLY NUMBER RANGE
1	L0003629	1	CONNECTING SLEEVE	
2	L0003457	1	CIRCLIP FOR SHAFT	
3	L0003696	1	CENTRAL DRIVE SHAFT ASSEMBLY	
4	L0003473	1	WIRE RETAINER RING FOR HOLE	
5	L0003695	1	WASHER 25X30X1.5	
6	L0003144	1	NEEDLE AND CARRIER COMBINATION	
7	L0003145	1	NEEDLE AND CARRIER COMBINATION	
8	L0004212	3	SEAL RING	
9	L0004209	2	SEAL RING 24.95X2.26	
10	L0003155	1	DEEP GROOVE BALL BEARING	
11	L0003673	1	DUPLICATE GEAR	
12	L0003156	1	DEEP GROOVE BALL BEARING	
13	L0003207	2	RUBBER O-SEAL RING	
14	L0003679	1	CLUTCH HUB	
15	L0004208	1	O-RING-122.00Ã?3.00-FKM	
16	L0003680	1	PISTON ASSEMBLY	
17	L0004204	12	RUBBER WASHER	
18	L0003703	1	O-RING-58.42X2.62-NBR	
19	L0003693	1	WASHER 60.5X71X2.0	
20	L0003694	1	CIRCLIP FOR SHAFT-60X2	
21	L0003692	1	SPRING SEAT	
22	L0003691	1	SPRING	
23	L0003697	1	FRICTIONAL DISC	
24	L0003681	1	PRESSURE PLATE	
25	L0003689	1	CIRCLIPS FOR HOLE-124X2.5	
26	L0003684	1	HUB	
27	L0003461	1	CIRCLIP FOR SHAFT	
28	L0003686	1	DISC SPRING	
29	L0003690	1	CLUTCH FRICTION PLATE	
30	L0003685	1	PISTON	
31	L0003701	1	O-RING-118X2.62-NBR	
32	L0003702	1	O-RING-88.57X2.62-NBR	
33	L0002374	1	HEXAGON BOLT	
34	L0003506	13	STANDARD SPRING WASHER	
35	L0003687	1	PTO HOUSING	
36	L0003700	1	O-RING-148x2.2-NBR	
37	L0003688	1	PTO END COVER ASSEMBLY	
38	L0003359	8	INNER HEXAGON SCREW	
39	L0003120	2	HEXAGON FLANGE BOLT	
40	L0003255	8	HEXAGON BOLT	



ARBOS

3055
PRESA DI FORZA POSTERIORE

POS	COD	Q.TÀ	DESCRIZIONE	ASSEMBLY NUMBER RANGE
41	L0003228	4	HEXAGON BOLT	
42	L0003682	5	MIDDLE DISC	
43	L0003683	5	FRICTION PLATE	

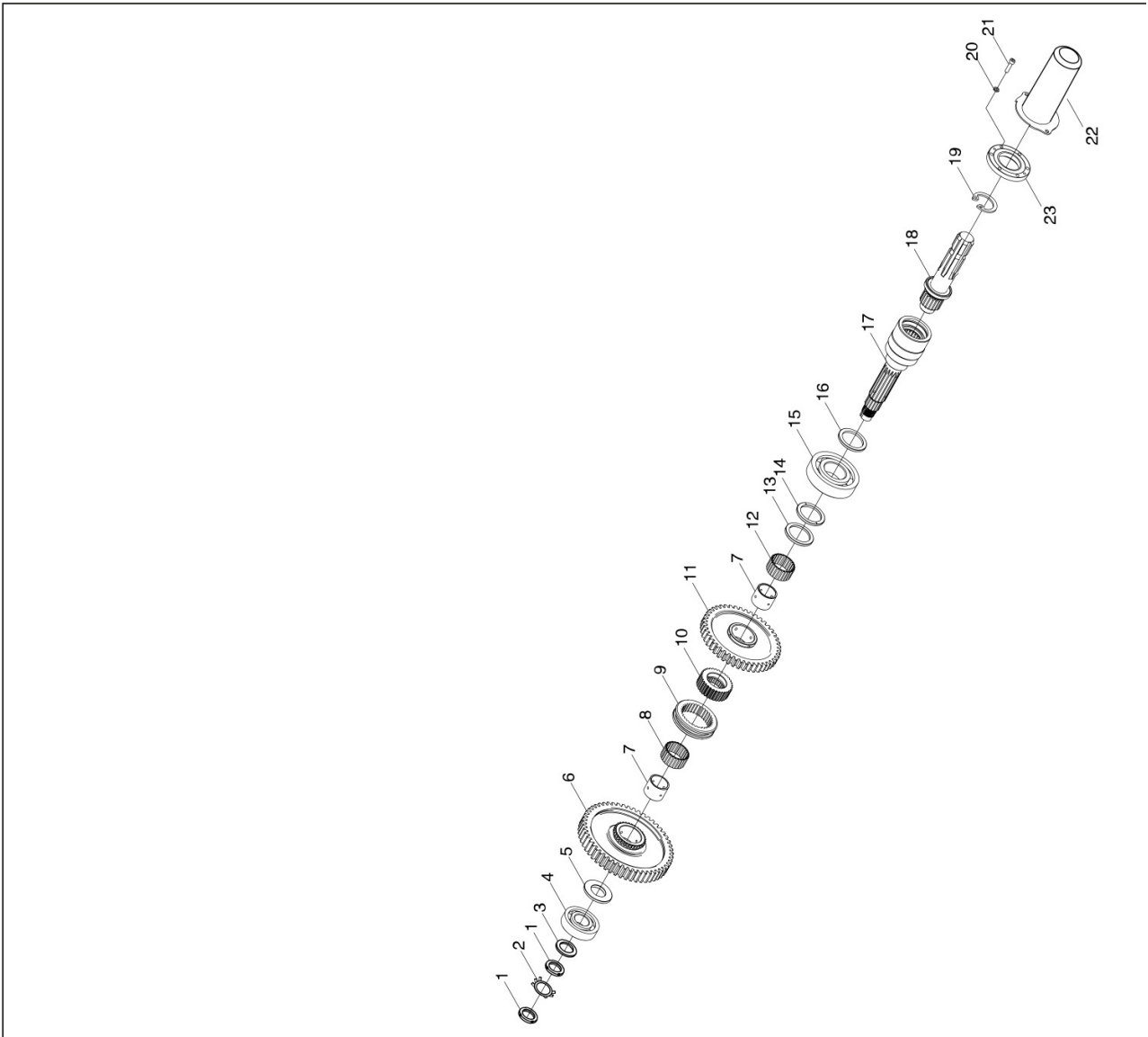




ARBOS

3055
PROTEZIONE PRESA DI FORZA

POS	COD	Q.TÀ	DESCRIZIONE	ASSEMBLY NUMBER RANGE
1	L0003115	4	HEXAGON FLANGE BOLT	
2	L0003707	1	PTO BONNET WELDMENT	

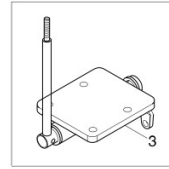
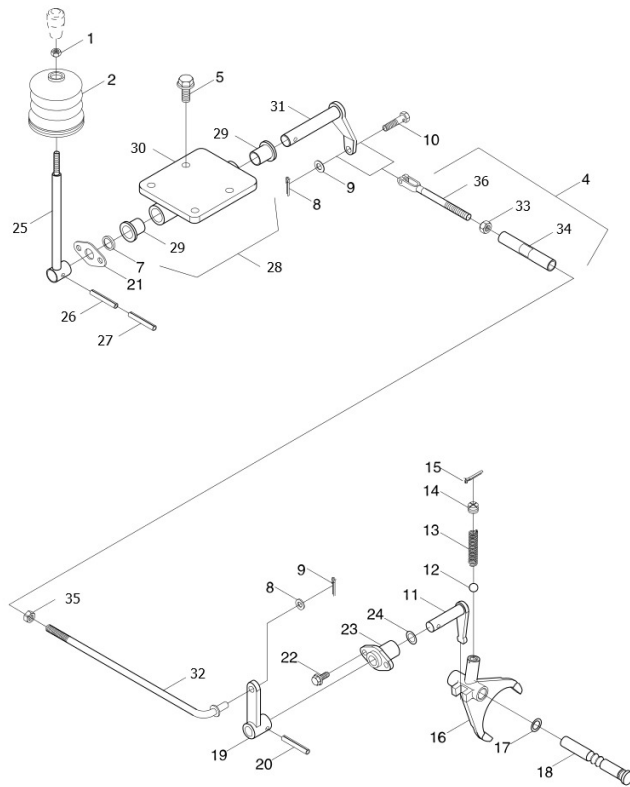




ARBOS

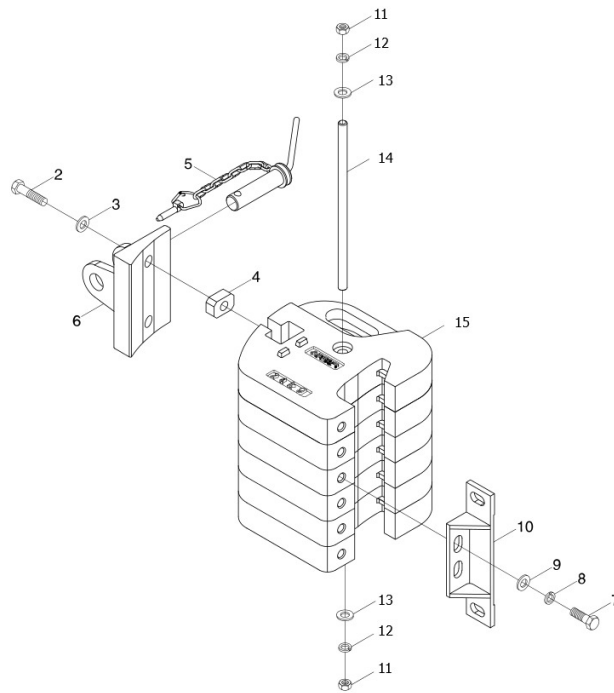
**3055
ALBERO DI USCITA**

POS	COD	Q.TÀ	DESCRIZIONE	ASSEMBLY NUMBER RANGE
1	L0003371	2	ROUND NUT	
2	L0003406	1	THRUST WASHER FOR ROUND NUT	
3	L0002391	1	WASHER	
4	L0003161	1	DEEP GROOVE BALL BEARING	
5	L0003699	1	WASHER 30X58X6	
6	L0003698	1	PTO LOW GEAR DRIVEN GEAR	
7	L0003675	1	SLEEVE 34X42X31	
8	L0003146	1	NEEDLE AND CARRIER COMBINATION	
9	L0000455	1	MANICOTTO SCORREVOLE	
10	L0000456	1	INGRANAGGIO SEDILE	
11	L0003674	1	PTO HIGH GEAR DRIVEN GEAR	
12	L0003704	1	ROLLER NEEDLE BEARING K40X46X28	
13	L0000461	1	ANELLO POSTERIORE DI TENUTA	
14	L0002624	1	THRUST RING	
15	L0003165	1	DEEP GROOVE BALL BEARING	
16	L0004210	1	OIL SEAL-70X85X8	
17	L0003676	1	OUTPUT DRIVE SHAFT	
18	L0003677	1	PTO SHAFT	
19	L0004206	1	CIRCLIP FOR HOLE 55X3	
20	L0003513	6	STANDARD SPRING WASHER	
21	L0003356	6	INNER HEXAGON SCREW	
22	L0004207	1	PTO COVER	
23	L0003678	1	PTO SHAFT HOOD SHIELD	





POS	COD	Q.TÀ	DESCRIZIONE	ASSEMBLY NUMBER RANGE
1	L0003342	1	HEXAGON FLANGE NUT	
2	L0002098	1	Dustproof Ring	
3	L0004439	1	PTO JOYSTICK JOINT	
4	L0004435	1	PTO CONTROL ROD JOINT	
5	L0003130	4	HEXAGON FLANGE BOLT	
6	L0002122	2	RONDELLA STANDARD	
7	L0004436	1	OIL SEAL FB16X26X7D	
8	L0003493	2	SPLIT PIN	
9	L0003534	2	FLAT WASHER	
10	L0002357	1	PIN SHAFT	
11	L0001126	1	LEVA	
12	L0003186	1	STEEL BALL	
13	L0000636	1	MOLLA ALBERO FORCELLA	
14	L0002428	1	SCREW	
15	L0003486	1	SPLIT PIN	
16	L0003706	1	OPERATION FORK OF PTO	
17	L0003189	1	RUBBER O-SEAL RING	
18	L0003705	1	PTO FORK SHAFT	
19	L0003860	1	ROCKER WELDMENT	
20	L0003588	1	PIN	
21	L0004437	1	RETAINER PIECE	
22	L0003365	2	INNER HEXAGON SCREW	
23	L0002998	1	LEVER SHAFT SLEEVE	
24	L0003199	1	RUBBER O-SEAL RING	
25	L0002099	1	PTO Gearshift Control Rod Weldment	
26	L0002100	1	Spring Column Pin	
27	L0002101	1	Spring Column Pin	
28	L0002102	1	Support Seat	
29	L0003837	2	NYLON BUSH	
30	L0004434	1	SUPPORT SEAT WELDMENT	
31	L0004438	1	CONTROL ROCKER WELDMENT	
32	L0002593	1	MIDDLE PULL ROD WELDMENT	
33	L0002355	1	HEXAGON NUT TYPE-1	
34	L0002582	1	MIDDLE ROD	
35	L0003323	1	HEXAGON NUT, TYPE-1	
36	L0002649	1	PULL ROD WELDMENT	

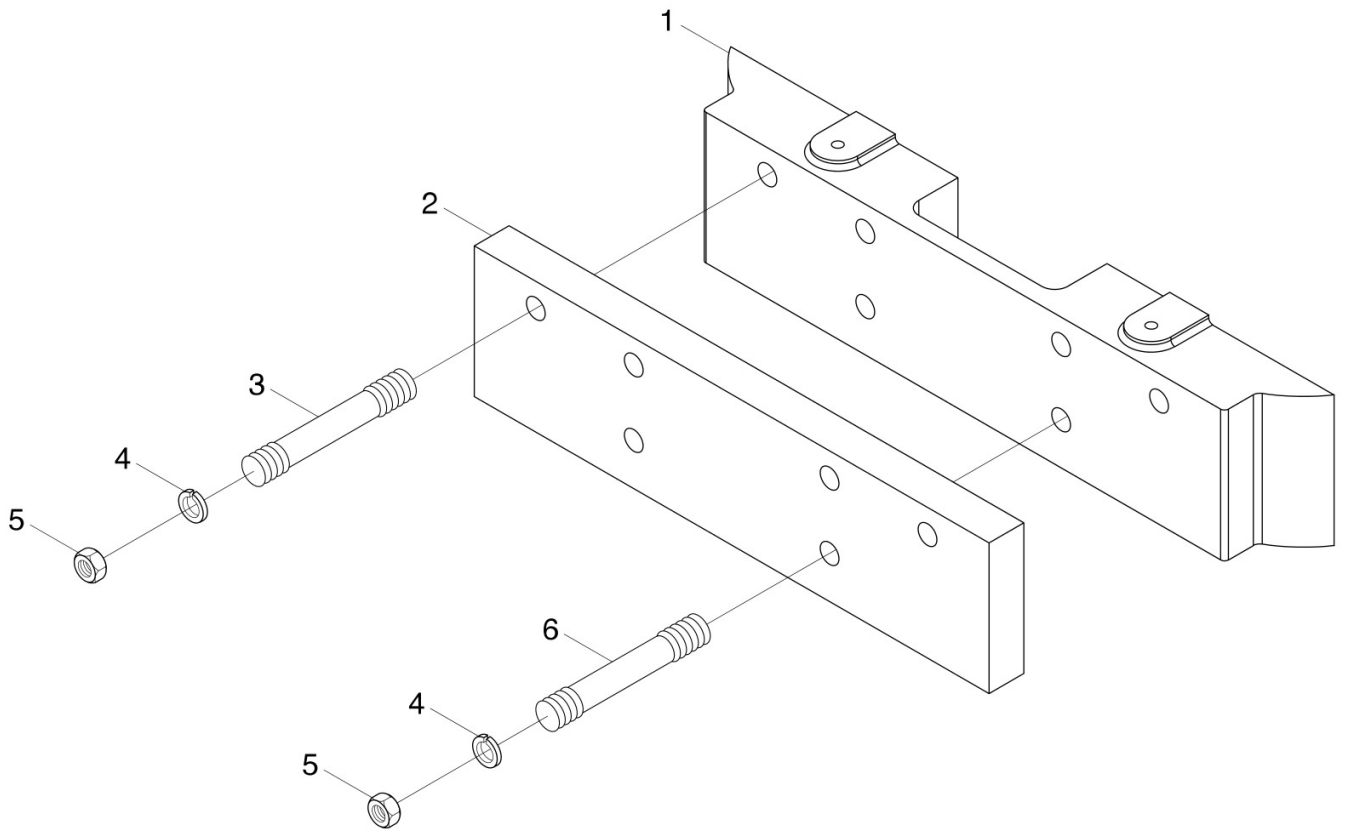




ARBOS

**3055
ZAVORRE ANTERIORI**

POS	COD	Q.TÀ	DESCRIZIONE	ASSEMBLY NUMBER RANGE
1	L0003804	1	FRONT BALLAST SMALL ASSEMBLY	
2	L0003282	2	HEXAGON BOLT	
3	L0003542	2	FLAT WASHER	
4	L0002176	2	DADO FISSAGGIO ZAVORRE L0001925-L0001842	
5	L0002175	1	PERNO FISSAGGIO ZAVORRE L0001925-L0001842	
6	L0002326	1	TOWING NUT	
7	L0003261	4	HEXAGON BOLT	
8	L0003509	4	STANDARD SPRING WASHER	
9	L0003539	4	FLAT WASHER	
10	L0002002	1	STAFFA DI SOSTEGNO	
11	L0003313	2	HEXAGON NUT, TYPE-1	
12	L0003509	2	STANDARD SPRING WASHER	
13	L0003539	2	FLAT WASHER	
14	L0002064	1	TIRANTE BLOCCO ZAVORRE	
15	L0003805	6	BALLAST BLOCK	

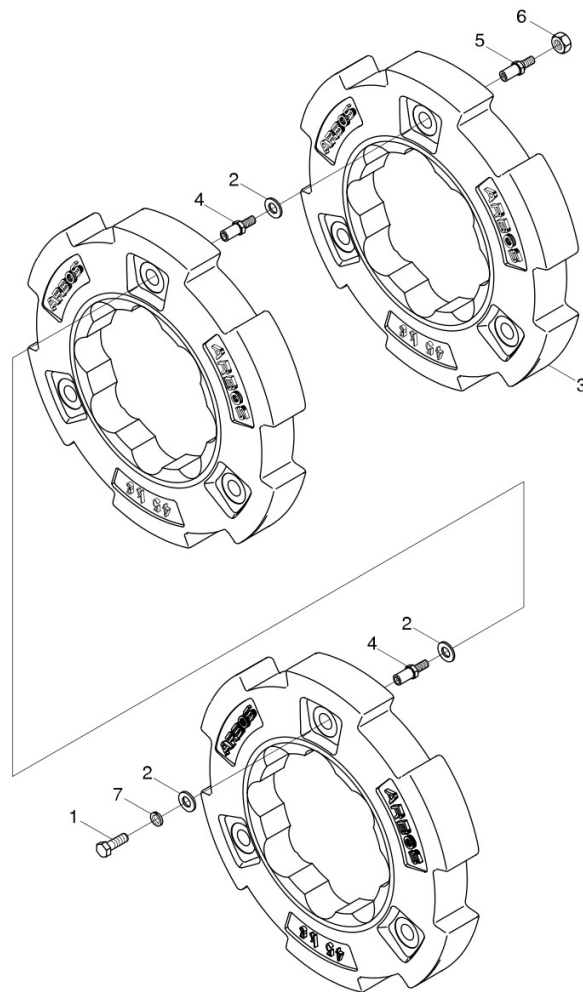




ARBOS

3055
SUPPORTO ZAVORRE ANTERIORI

POS	COD	Q.TÀ	DESCRIZIONE	ASSEMBLY NUMBER RANGE
1	L0001954	1	SUPPORTO ZAVORRE	
2	L0002235	1	PAD BLOCK	
3	L0002561	4	DOUBLE-HEADED STUD M16X145	
4	L0003509	6	STANDARD SPRING WASHER	
5	L0003313	6	HEXAGON NUT, TYPE-1	
6	L0002567	2	DOUBLE-HEADED STUD M16X165	

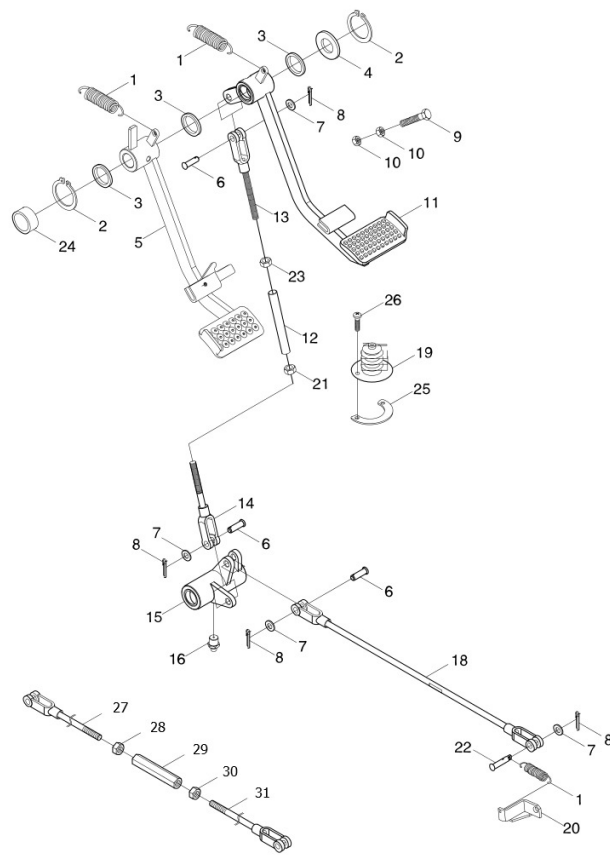




ARBOS

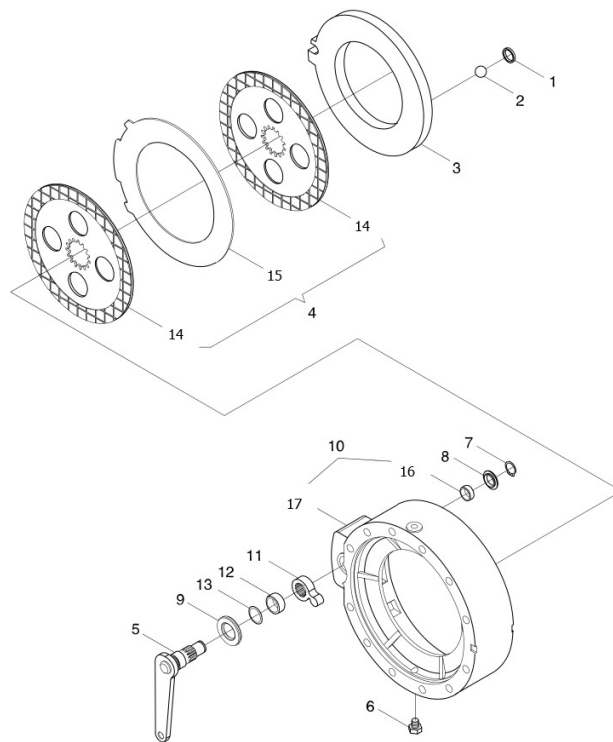
**3055
ZAVORRE POSTERIORI**

POS	COD	Q.TÀ	DESCRIZIONE	ASSEMBLY NUMBER RANGE
1	L0003263	3	HEXAGON BOLT	
2	L0002509	3	WASHER	
3	L0003806	3	REAR BALLAST	
4	L0002621	6	REAR BALLAST SCREW 2	
5	L0002569	3	REAR BALLAST SCREW 1	
6	L0003313	3	HEXAGON NUT, TYPE-1	
7	L0003510	6	STANDARD SPRING WASHER	



**ARBOS****3055
PEDALI FRENI**

POS	COD	Q.TÀ	DESCRIZIONE	ASSEMBLY NUMBER RANGE
1	L0001363	4	MOLLA DI RITORNO PEDALE FRIZIONE	
2	L0003459	2	CIRCLIP FOR SHAFT	
3	L0003544	1	FLAT WASHER	
4	L0002441	7	WASHER	
5	L0004441	1	LEFT BRAKE PEDAL UNIT	
6	L0002357	8	PIN SHAFT	
7	L0003534	10	FLAT WASHER	
8	L0002336	10	SPLIT PIN	
9	L0003245	2	HEXAGON BOLT	
10	L0003307	4	HEXAGON NUT, TYPE-1	
11	L0004442	1	RIGHT BRAKE PEDAL UNIT	
12	L0001755	2	BIELLA	
13	L0002544	2	UPPER PULL ROD WELDMENT	
14	L0002698	2	BRAKE ROD WELDMENT	
15	L0002779	1	ROCKER UNIT HUB	
16	L0003571	3	STRAIGHT FORCED FILLING OIL CUP	
18	L0004440	2	BRAKE ROD JOINT	
19	L0003813	1	DUSTPROOF SLEEVE	
20	L0002549	1	RIGHT RETURN SPRING CONNECTING PLATE WELDMENT	
21	L0003324	2	HEXAGON NUT, TYPE-1	
22	L0002508	2	CONNECTING PIN	
23	L0003325	2	HEXAGON NUT, TYPE-1	
24	L0002532	1	BRAKE ROCKER SLEEVE	
25	L0003814	1	SEAL SLEEVE PRESSURE PLATE	
26	L0003380	5	CROSS SCREW	
27	L0000470	1	FORCELLA POSTERIORE SOSPENSIONE	
28	L0003308	1	HEXAGON NUT, TYPE-1	
29	L0002629	1	LOWER PULL ROD	
30	L0003323	1	HEXAGON NUT, TYPE-1	
31	L0000869	1	FORCELLA	

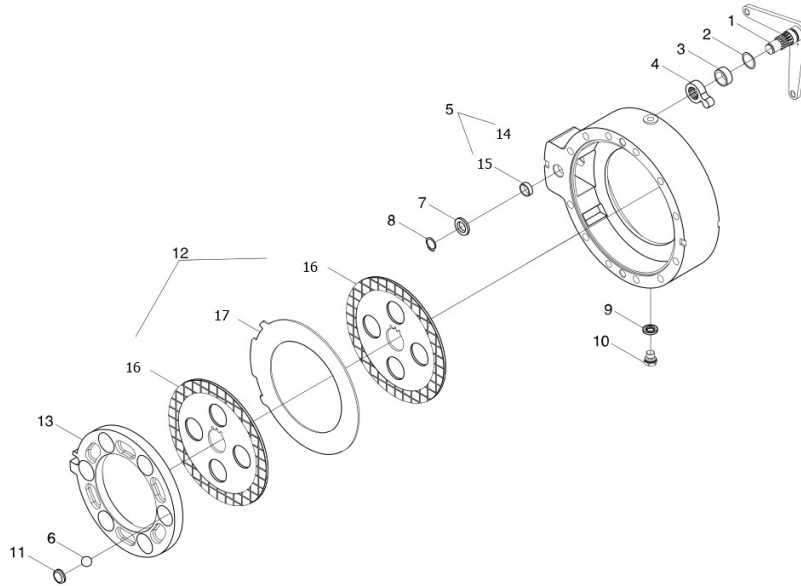




ARBOS

**3055
FRENI RUOTE POSTERIORI SX**

POS	COD	Q.TÀ	DESCRIZIONE	ASSEMBLY NUMBER RANGE
1	L0002392	6	BOWL PLUG	
2	L0002457	6	STEEL BALL	
3	L0003713	1	LEFT BRAKE PRESSURE PLATE	
4	L0003715	1	FRICITION DISK SPACING PLATE ASSEMBLY	
5	L0003842	1	LEFT CRANK UNIT	
6	L0003174	1	PLUG	
7	L0003455	1	CIRCLIP FOR SHAFT	
8	L0002999	1	WASHER	
9	L0003001	1	SKELETON OIL SEAL 25X35X6	
10	L0003714	1	LEFT BRAKE HOUSING	
11	L0002710	1	DIAL BLOCK	
12	L0002444	1	SPACER BUSH	
13	L0003200	1	RUBBER O-SEAL RING	
14	L0003717	3	FRICITION PIECE ASSEMBLY	
15	L0003716	2	SPACER PLATE	
16	L0003000	1	CRANK SHAFT BUSH	
17	L0003712	1	LEFT BRAKE HOUSING	

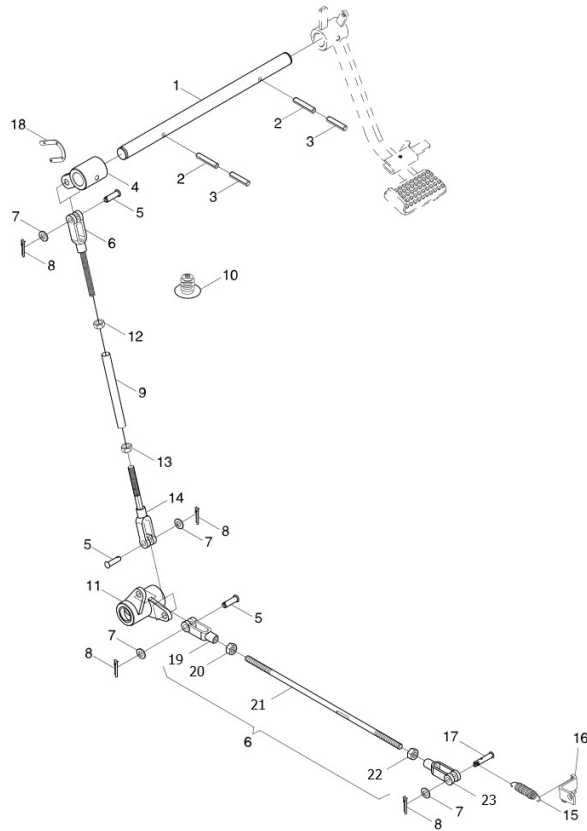




ARBOS

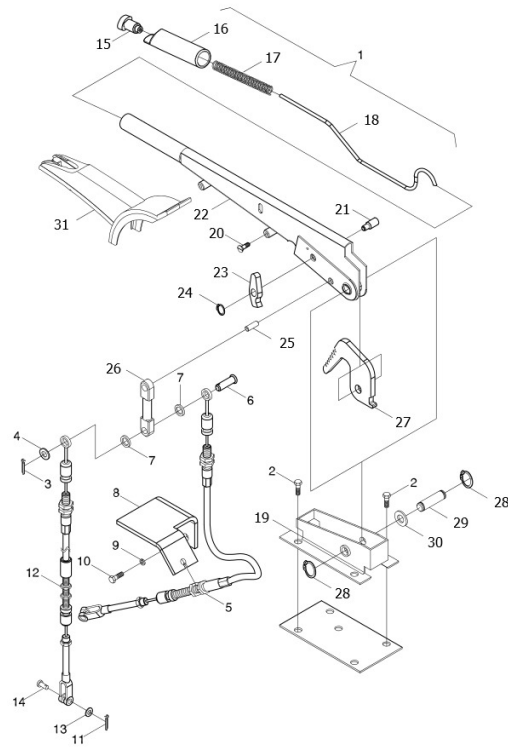
**3055
FRENI RUOTE POSTERIORI DX**

POS	COD	Q.TÀ	DESCRIZIONE	ASSEMBLY NUMBER RANGE
1	L0003843	1	RIGHT CRANK UNIT	
2	L0003200	1	RUBBER O-SEAL RING	
3	L0002444	1	SPACER BUSH	
4	L0002710	1	DIAL BLOCK	
5	L0003720	1	RIGHT BRAKE HOUSING ASSEMBLY	
6	L0002457	6	STEEL BALL	
7	L0002999	1	WASHER	
8	L0003455	1	CIRCLIP FOR SHAFT	
9	L0003001	1	SKELETON OIL SEAL 25X35X6	
10	L0003174	1	PLUG	
11	L0002392	6	BOWL PLUG	
12	L0003715	1	FRCTION DISK SPACING PLATE ASSEMBLY	
13	L0003719	1	RIGHT BRAKE PLATEN	
14	L0003718	1	RIGHT BRAKE HOUSING	
15	L0003000	1	CRANK SHAFT BUSH	
16	L0003717	3	FRICTION PIECE ASSEMBLY	
17	L0003716	2	SPACER PLATE	



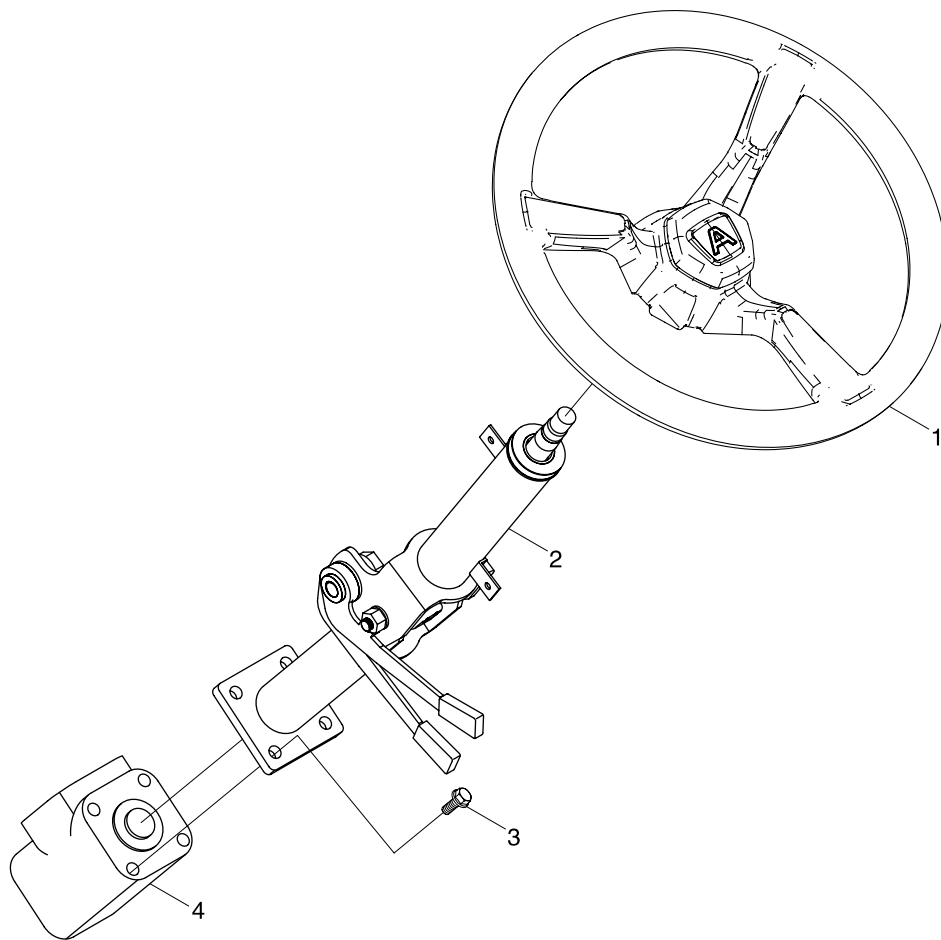


POS	COD	Q.TÀ	DESCRIZIONE	ASSEMBLY NUMBER RANGE
1	L0002763	1	SUPPORT SHAFT	
2	L0003422	2	SPRING COLUMN PIN	
3	L0003429	2	SPRING COLUMN PIN	
4	L0002675	1	LEFT DRAW ARM WELDMENT	
5	L0002357	8	PIN SHAFT	
6	L0004440	2	BRAKE ROD JOINT	
7	L0003534	10	FLAT WASHER	
8	L0002336	10	SPLIT PIN	
9	L0001755	2	BIELLA	
10	L0003815	1	BRAKE CLUTCH ROD DUSTPROOF SLEEVE	
11	L0002735	1	ROCKER UNIT HUB	
12	L0003324	2	HEXAGON NUT, TYPE-1	
13	L0003325	2	HEXAGON NUT, TYPE-1	
14	L0002544	2	UPPER PULL ROD WELDMENT	
15	L0001363	4	MOLLA DI RITORNO PEDALE FRIZIONE	
16	L0002573	1	LEFT RETURN SPRING CONNECTING PLATE WELDMENT	
17	L0002508	2	CONNECTING PIN	
18	L0003816	1	SEAL SLEEVE PRESSURE PLATE	
19	L0000470	1	FORCELLA POSTERIORE SOSPENSIONE	
20	L0003308	1	HEXAGON NUT, TYPE-1	
21	L0002629	1	LOWER PULL ROD	
22	L0000869	1	FORCELLA	
23	L0003323	1	HEXAGON NUT, TYPE-1	





POS	COD	Q.TÀ	DESCRIZIONE	ASSEMBLY NUMBER RANGE
1	L0003721	1	HAND BRAKE CONTROLLING HANDLE ASSEMBLY	
2	L0003131	4	HEXAGON FLANGE NUT	
3	L0003491	1	SPLIT PIN	
4	L0003551	1	FLAT WASHER	
5	L0003725	1	RIGHT BRAKE PULL WIRE ASSEMBLY	
6	L0003444	1	PIN SHAFT	
7	L0002465	2	SMALL RETAINER RING	
8	L0003723	1	LEFT PULL WIRE SUPPORT SEAT WELDMENT	
9	L0002432	1	DUSTPROOF MAT	
10	L0003106	2	HEXAGON FLANGE BOLT	
11	L0002336	10	SPLIT PIN	
12	L0003724	1	LEFT BRAKE WIRE ASSEMBLY	
13	L0003534	10	FLAT WASHER	
14	L0002357	8	PIN SHAFT	
15	L0004444	1	BUTTON ASSEMBLY	
16	L0004443	1	HAND BRAKE HANDLE SHEATH	
17	L0002702	1	SPRING	
18	L0002848	1	TOP ROD	
19	L0004563	1	FIXING SEAT WELDMENT	
20	L0003354	4	SLOTTED SCREW	
21	L0003015	1	SMALL PIN SHAFT	
22	L0003014	1	CONTROLLING HANDLE ASSEMBLY	
23	L0002076	1	DENTE DI ARRESTO	
24	L0003471	1	CIRCLIP FOR SHAFT	
25	L0002476	1	PIN	
26	L0003722	1	SHORT PULL ROD	
27	L0002075	1	CHIAVE A CRICCHETTO	
28	L0002362	2	CIRCLIP FOR SHAFT	
29	L0002703	1	PIN SHAFT	
30	L0004561	2	WASHER	
31	L0004445	1	HAND BRAKE HANDLE SHEATH	

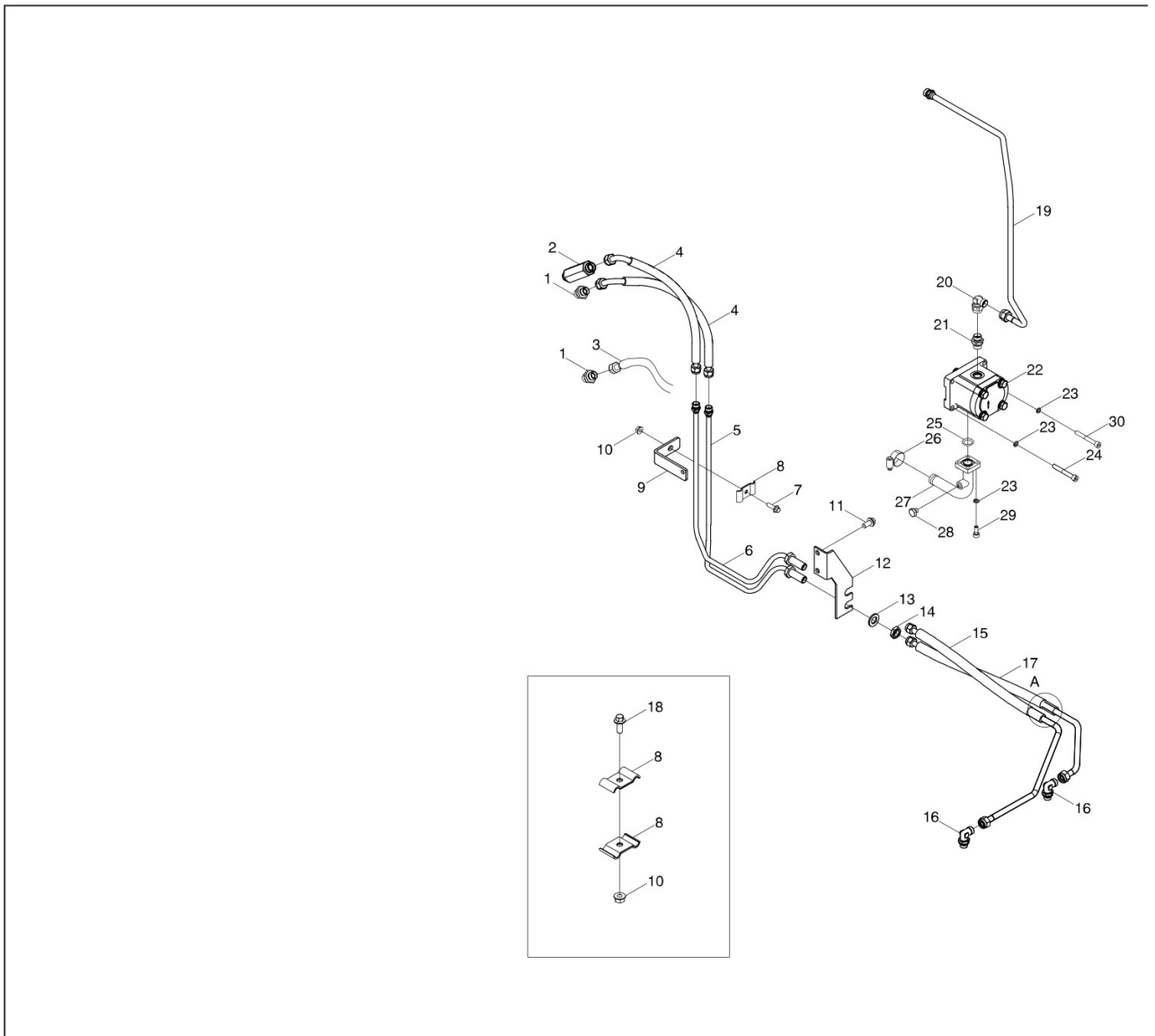




ARBOS

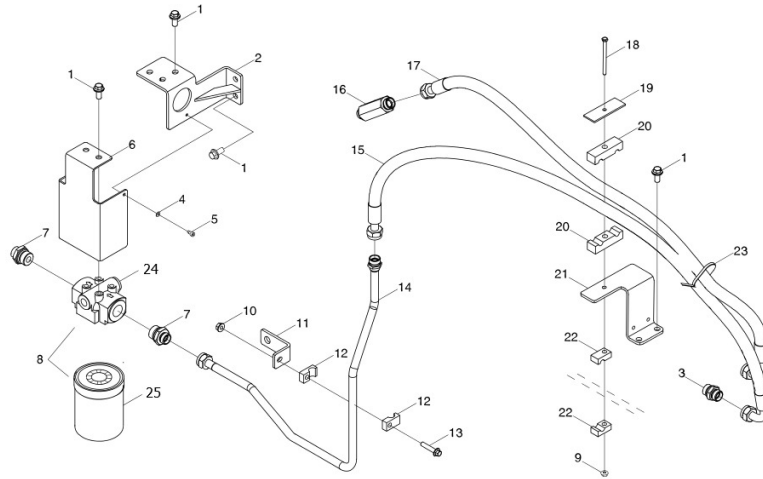
**3055
PIANTONE E IDROGUIDA**

POS	COD	Q.TÀ	DESCRIZIONE	ASSEMBLY NUMBER RANGE
1	L0003644	1	STEERING WHEEL ASSEMBLY	
2	L0002174	1	PIANTONE STERZO TB504	
3	L0003109	4	HEXAGON FLANGE NUT	
4	L0003643	1	HYDRAULIC STEERING MECHANISM ASSEMBLY	



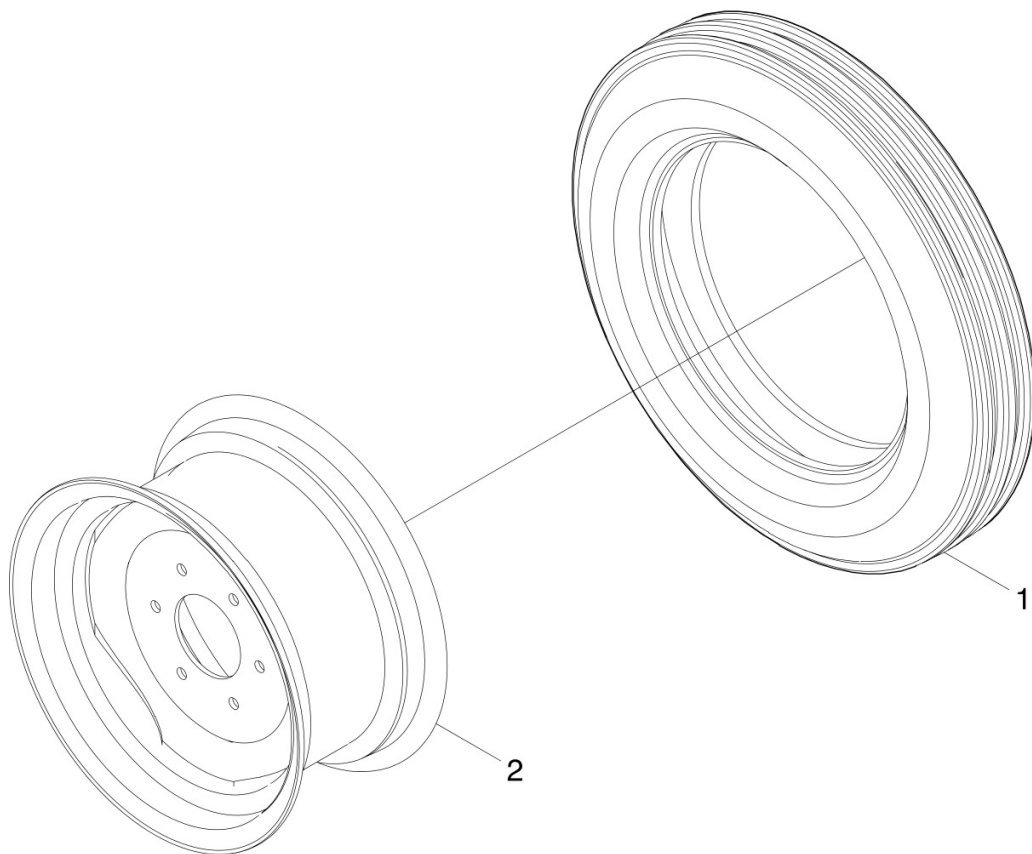


POS	COD	Q.TÀ	DESCRIZIONE	ASSEMBLY NUMBER RANGE
1	L0003559	2	END STRAIGHT THREAD CONNECTOR BODY	
2	L0002780	1	END STRAIGHT THREAD CONNECTOR BODY L12	
3	L0002814	1	HIGH PRESSURE HOSE ASSEMBLY	
4	L0002652	2	OUTLET PIPE ASSEMBLY	
5	L0002802	1	RIGHT STEERING STEEL PIPE WELDMENT	
6	L0002801	1	LEFT STEERING STEEL PIPE WELDMENT	
7	L0003134	1	HEXAGON FLANGE BOLT	
8	L0002485	3	OIL PIPE CLAMP	
9	L0003650	1	BRACKET	
10	L0003348	3	HEXAGON FLANGE NUT	
11	L0003106	9	HEXAGON FLANGE BOLT	
12	L0002592	1	STEEL PIPE SUPPORT	
13	L0003540	2	FLAT WASHER	
14	L0002388	2	HEXAGON THIN NUT	
15	L0002833	1	LEFT STEERING OIL PIPE ASSEMBLY	
16	L0002694	2	JOINT ASSEMBLY L12	
17	L0002832	1	RIGHT STEERING OIL PIPE ASSEMBLY	
18	L0003133	1	HEXAGON FLANGE BOLT	
19	L0003646	1	OIL OUTLET PIPE ASSEMBLY OF GEAR PUMP	
20	L0003213	1	JOINT	
21	L0004599	1	STRAIGHT JOINT BODY M18-12	
22	L0003653	1	GEAR PUMP	
23	L0002122	8	RONDELLA STANDARD	
24	L0002458	2	INNER HEXAGON SCREW	
25	L0003200	1	RUBBER O-SEAL RING	
26	L0003580	1	B-TYPE WORM TRANSMISSION HOSE CLAMP	
27	L0003645	1	GEAR PUMP SUCTION PIPE WELDMENT	
28	L0003563	1	SCREW PLUG ASSEMBLY M10X1	
29	L0003362	4	INNER HEXAGON SCREW	
30	L0003368	2	INNER HEXAGON SCREW	





POS	COD	Q.TÀ	DESCRIZIONE	ASSEMBLY NUMBER RANGE
1	L0003106	9	HEXAGON FLANGE BOLT	
2	L0003651	1	FILTER BRACKET WELDMENT	
3	L0004612	2	JOINT ASSEMBLY M22-15	
4	L0003546	1	FLAT WASHER	
5	L0003355	1	INNER HEXAGON SCREW	
6	L0003652	1	FILTER SHIELD	
7	L0004616	2	JOINT ASSEMBLY M27X2-15	
8	L0003654	1	FILTER ASSEMBLY	
9	L0003346	1	HEXAGON FLANGE NUT	
10	L0003348	3	HEXAGON FLANGE NUT	
11	L0003658	1	STEEL PIPE SUPPORT	
12	L0002417	2	SINGLE HOLE PIPE CLAMP	
13	L0003137	1	HEXAGON FLANGE BOLT	
14	L0003657	1	FILTER OIL INLET PIPE ASSEMBLY	
15	L0003649	1	RADIATOR OIL OUTLET HOSE ASSEMBLY	
16	L0004600	1	JOINT BODY COMBINATION	
17	L0003648	1	BACK OIL HOSE ASSEMBLY OF STEERING	
18	L0003234	1	HEXAGON BOLT	
19	L0003659	1	PRESSURE PLATE	
20	L0003567	2	CLAMP	
21	L0003647	1	BRACKET	
22	L0002398	2	SINGLE HOLE PIPE CLAMP	
23	L0003579	1	PLASTIC FASTENING STRIP	
24	L0003656	1	FILTER SEAT	
25	L0003655	1	FILTER ELEMENT	

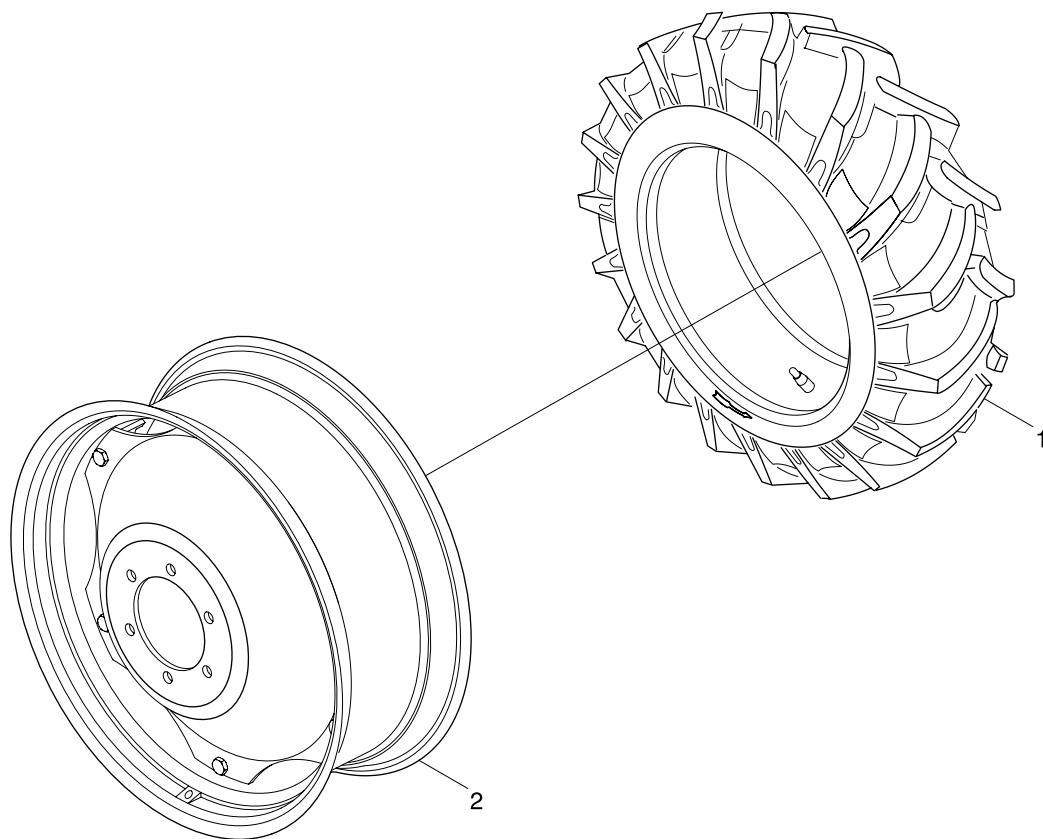




ARBOS

**3055
RUOTE ANTERIORI**

POS	COD	Q.TÀ	DESCRIZIONE	ASSEMBLY NUMBER RANGE
1	L0003613	1	AGRICULTURAL RADIAL TYRE 280/70R16	
2	L0003614	1	RIM WHEEL DISK (W8LX16)	

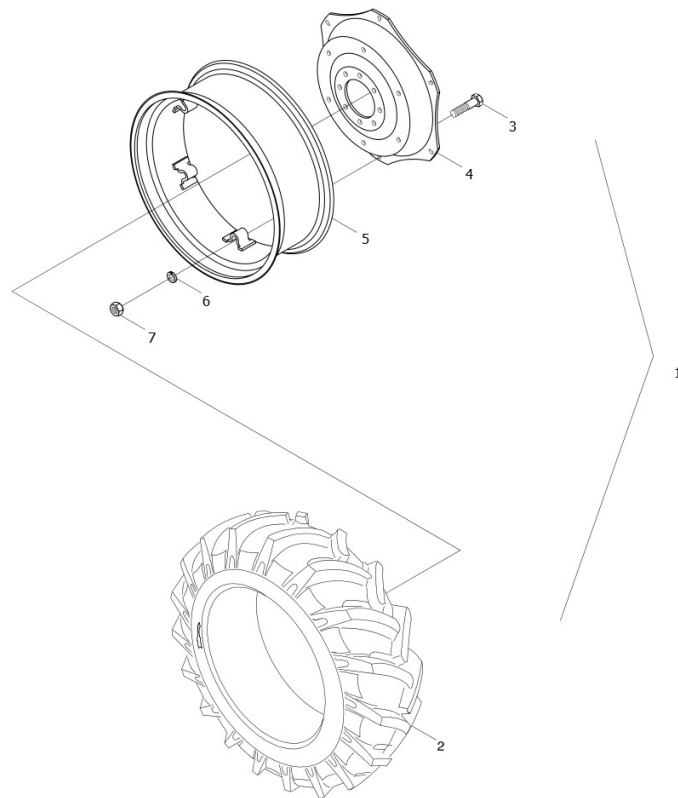




ARBOS

**3055
RUOTE ANTERIORI**

POS	COD	Q.TÀ	DESCRIZIONE	ASSEMBLY NUMBER RANGE
1	L0002965	1	AGRICULTURAL RADIAL TYRE 260/70R20	
2	L0002943	1	RIM WELDMENT	

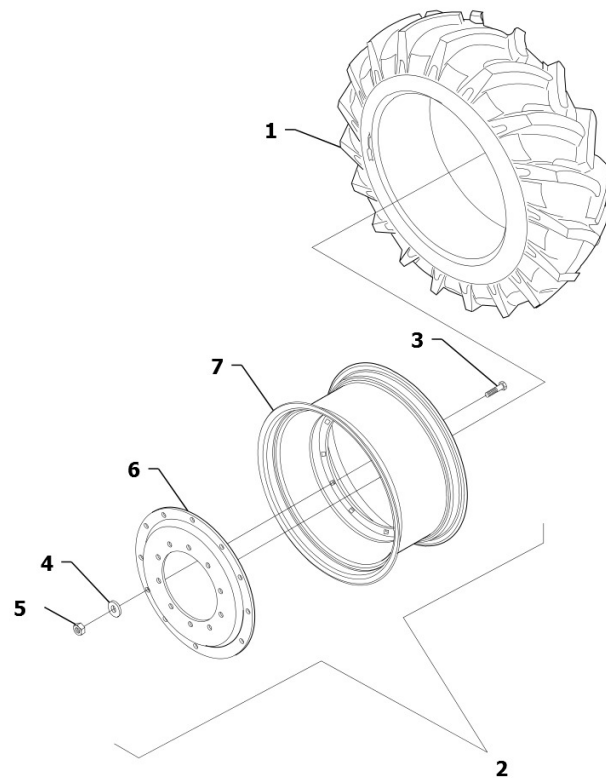




ARBOS

**3055
RUOTE POSTERIORI**

POS	COD	Q.TÀ	DESCRIZIONE	ASSEMBLY NUMBER RANGE
1	L0002959	1	RIM SPOKE ASSEMBLY	
2	L0002971	1	AGRICULTURAL RADIAL TYRE 380/85R24	
3	L0002615	6	RIM BOLT	
4	L0003005	1	SPOKE	
5	L0003841	1	RIM WELDMENT	
6	L0002503	6	WASHER	
7	L0003328	6	HEXAGON NUT, TYPE-1	

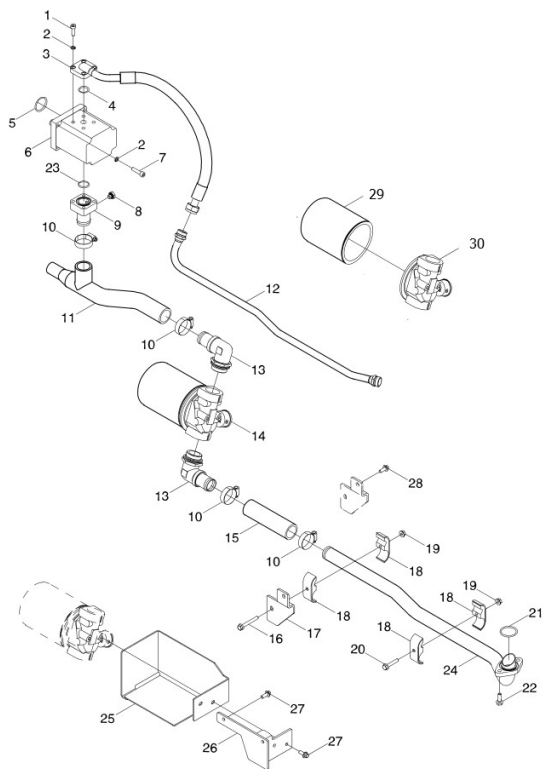




ARBOS

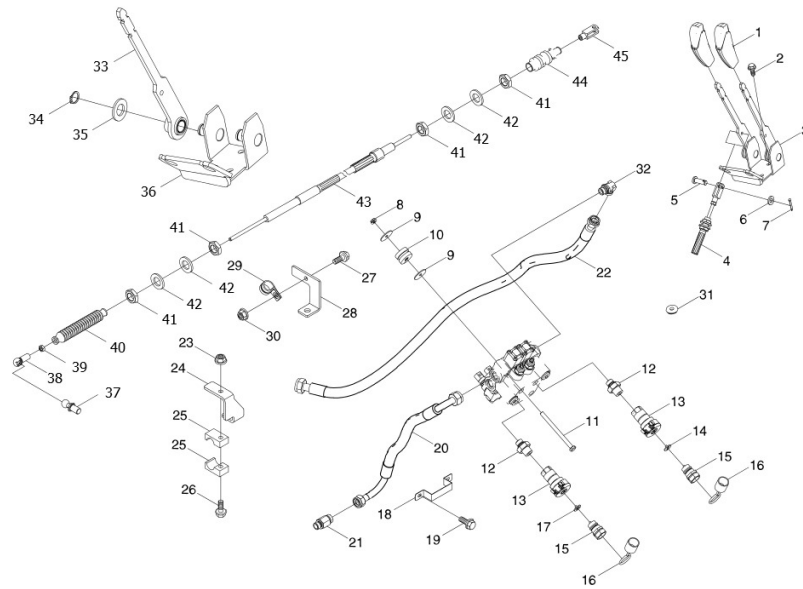
**3055
RUOTE POSTERIORI**

POS	COD	Q.TÀ	DESCRIZIONE	ASSEMBLY NUMBER RANGE
1	L0002969	1	AGRICULTURAL RADIAL TYRE 360/70R24	
2	L0003615	1	RIM WHEEL DISK (W12X24)	
3	L0002615	6	RIM BOLT	
4	L0002503	6	WASHER	
5	L0003328	6	HEXAGON NUT, TYPE-1	
6	L0003005	1	SPOKE	
7	L0003616	1	RIM WELDING ASSEMBLY (W12X24)	





POS	COD	Q.TÀ	DESCRIZIONE	ASSEMBLY NUMBER RANGE
1	L0003365	4	INNER HEXAGON SCREW	
2	L0002122	12	RONDELLA STANDARD	
3	L0003783	1	PRESSURE OIL HOSE ASSEMBLY	
4	L0002290	1	O-RING	
5	L0003205	1	RUBBER O-SEAL RING	
6	L0003866	1	GEAR PUMP	
7	L0003367	8	INNER HEXAGON SCREW	
8	L0003563	1	SCREW PLUG ASSEMBLY M10X1	
9	L0003782	1	OIL INLET PIPE ASSEMBLY OF LIFTING PUMP	
10	L0003581	4	B-TYPE WORM TRANSMISSION HOSE CLAMP	
11	L0003779	1	OIL SUCTION RUBBER HOSE	
12	L0003784	1	PRESSURE OIL STEAL PIPE ASSEMBLY	
13	L0003778	2	FILTER TUBE JOINT COMBINATION	
14	L0003785	1	OIL ABSORPTION FILTER ASSEMBLY	
15	L0004595	1	OIL SUCTION HOSE 1	
16	L0003305	1	HEXAGON FLANGE BOLT	
17	L0003780	1	OIL PIPE BRACKET	
18	L0004562	4	OIL PIPE CLAMP AND RUBBER CUSHION 35-18	
19	L0003348	2	HEXAGON FLANGE NUT	
20	L0003304	1	HEXAGON FLANGE BOLT	
21	L0003206	1	RUBBER O-SEAL RING	
22	L0003302	2	HEXAGON FLANGE BOLT	
23	L0003203	1	RUBBER O-SEAL RING	
24	L0003777	1	OIL SUCTION PIPE ASSEMBLY	
25	L0003788	1	OIL SUCTION FILTER SHIELD	
26	L0003781	1	FILTER BRACKET WELDMENT	
27	L0003133	4	HEXAGON FLANGE BOLT	
28	L0003106	1	HEXAGON FLANGE BOLT	
29	L0003786	1	OIL SUCTION FILTER ELEMENT	
30	L0003787	1	OIL SUCTION FILTER SEAT	





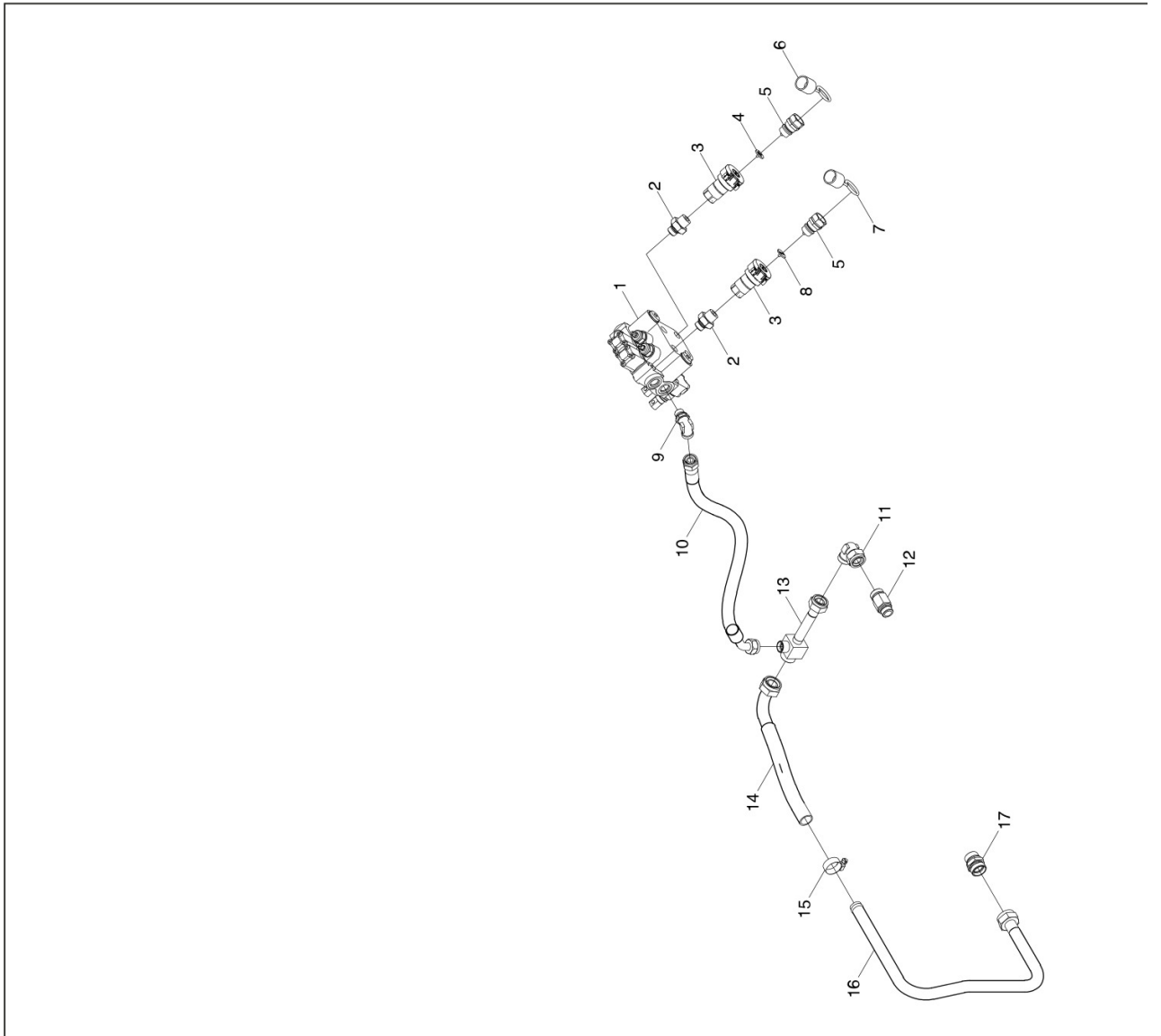
POS	COD	Q.TÀ	DESCRIZIONE	ASSEMBLY NUMBER RANGE
1	L0002668	2	HANDLE HEAD	
2	L0003133	3	HEXAGON FLANGE BOLT	
3	L0002887	1	MULTI-WAY VALVE CONTROL MECHANISM ASS.	
4	L0001970	2	COMPLESSO ALBERO PIEGHEVOLE	
5	L0002577	2	PIN SHAFT	
6	L0003547	2	PLAIN WASHER	
7	L0003489	2	SPLIT PIN	
8	L0003346	3	HEXAGON FLANGE NUT	
9	L0004422	6	BIG WASHER	
10	L0003799	3	MULTI VALVE VIBRATION DAMPING BLOCK COMPONENT	
11	L0003234	3	HEXAGON BOLT	
12	L0002673	4	THROUGH JOINT	
13	L0003797	4	JOINT	
14	L0003792	1	DUSTPROOF COVER R-	
15	L0002831	4	JOINT	
16	L0002554	2	DUSTPROOF COVER	
17	L0003793	1	DUSTPROOF COVER B+	
18	L0002475	1	LIMIT PLATE	
19	L0003122	2	HEXAGON FLANGE BOLT	
20	L0003798	1	DISTRIBUTOR OIL INLET HOSE ASSEMBLY	
21	L0004415	1	STRAIGHT PIPE JOINT L15-M22X1.5	
22	L0003790	1	MULTICHANNEL VALVE OIL PIPE ASSEMBLY	
23	L0003348	2	HEXAGON FLANGE NUT	
24	L0003802	1	OIL PIPE BRACKET	
25	L0004425	2	SINGLE HOLE PIPE CLAMP (2)	
26	L0003139	1	HEXAGON FLANGE BOLT	
27	L0003106	1	HEXAGON FLANGE BOLT	
28	L0003789	1	BRACKET	
29	L0004606	2	PIPE CLAMP	
30	L0003342	1	HEXAGON FLANGE NUT	
31	L0002379	2	RUBBER RING	
32	L0002718	2	CONNECTING JOINT M18-15	
33	L0004552	2	CONTROL HANDLE WELD	
34	L0002362	2	CIRCLIP FOR SHAFT	
35	L0003537	2	FLAT WASHER	
36	L0004553	1	INSTALLATION SEAT WELDMENT	
37	L0003845	1	HINGED JOINT OF SOFT SHAFT	
38	L0004424	1	HEAD SEAT ASSEMBLY OF SOFT SHAFT	
39	L0003318	2	HEXAGON NUT, TYPE-1	
40	L0004554	1	SEAL SLEEVE OF SOFT SHAFT	



ARBOS

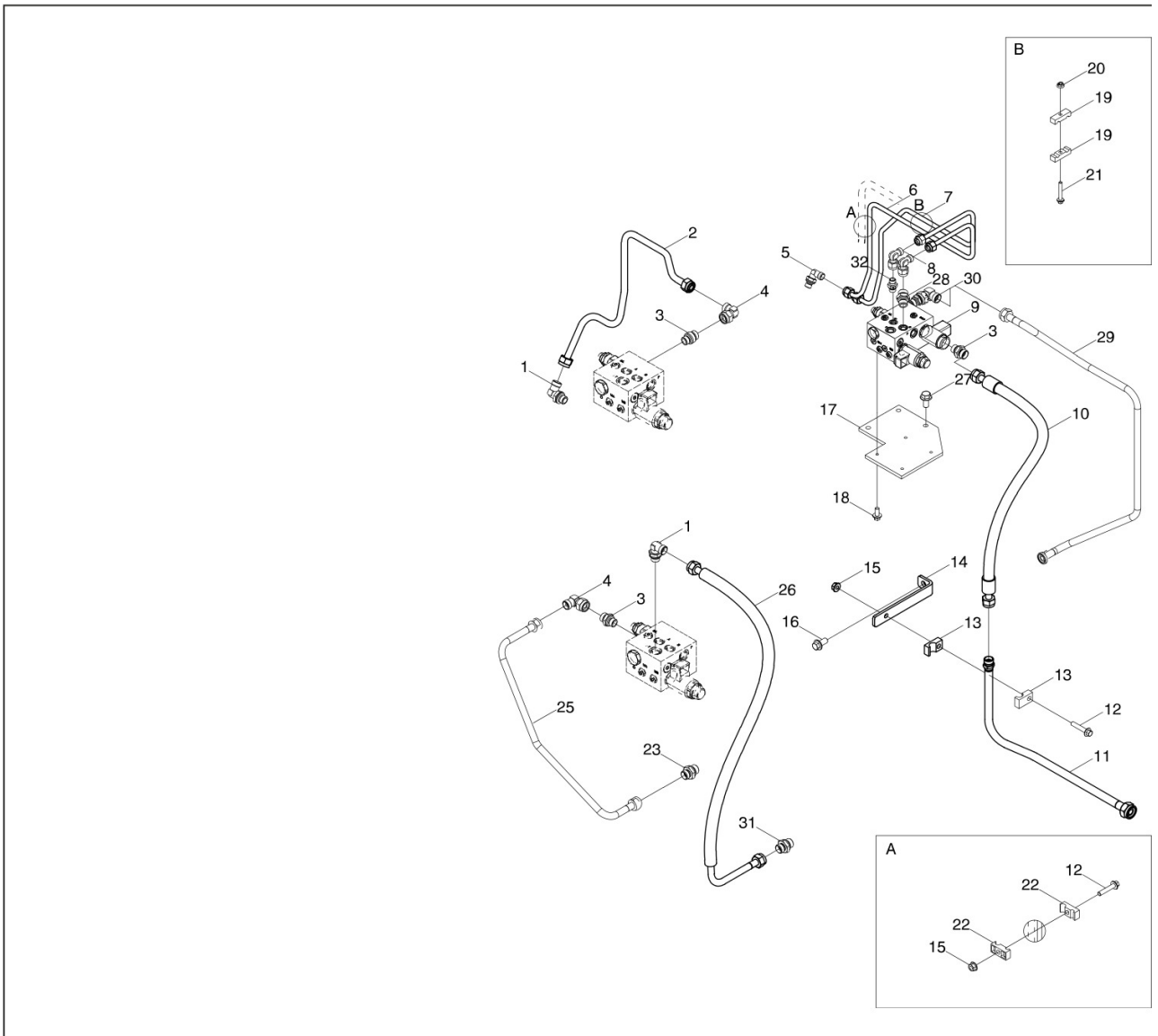
**3055
VALVOLA MULTI-DIREZIONALE**

POS	COD	Q.TÀ	DESCRIZIONE	ASSEMBLY NUMBER RANGE
41	L0002388	4	HEXAGON THIN NUT	
42	L0003539	4	FLAT WASHER	
43	L0002900	1	SOFT SHAFT ASSEMBLY	
44	L0004211	1	SEAL SLEEVE OF SOFT SHAFT 75	
45	L0004202	1	CONNECTING FORK	



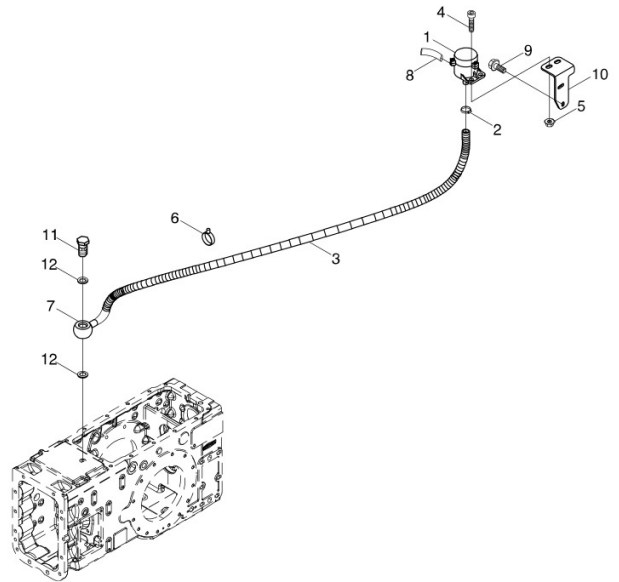
**ARBOS****3055
VALVOLA MULTI-DIREZIONALE**

POS	COD	Q.TÀ	DESCRIZIONE	ASSEMBLY NUMBER RANGE
1	L0002961	1	MULTI-WAY VALVE ASSEMBLY	
2	L0002673	4	THROUGH JOINT	
3	L0003797	4	JOINT	
4	L0003791	1	DUSTPROOF COVER R+	
5	L0002831	4	JOINT	
6	L0002554	2	DUSTPROOF COVER	
7	L0002551	2	DUSTPROOF COVER	
8	L0003794	1	DUSTPROOF COVER B+	
9	L0002718	2	CONNECTING JOINT M18-15	
10	L0003795	1	MULTI-WAY VALVE OIL HOSE ASSEMBLY	
11	L0002761	1	JOINT	
12	L0003872	1	END DIRECT JOINT ASSEMBLY M22-18	
13	L0003796	1	OIL HOSE ASSEMBLY OF LIFT	
14	L0003800	1	OIL RETURN TUBE ASSEMBLY	
15	L0003580	1	B-TYPE WORM TRANSMISSION HOSE CLAMP	
16	L0003801	1	OIL RETURN STEEL PIPE ASSEMBLY	
17	L0003884	1	STRAIGHT PIPE JOINT ASSEMBLY M27-22	
18	L0002475	1	LIMIT PLATE	
19	L0003122	2	HEXAGON FLANGE BOLT	
20	L0003798	1	DISTRIBUTOR OIL INLET HOSE ASSEMBLY	
21	L0004415	1	STRAIGHT PIPE JOINT L15-M22X1.5	
22	L0003790	1	MULTICHANNEL VALVE OIL PIPE ASSEMBLY	
23	L0003348	2	HEXAGON FLANGE NUT	
24	L0003802	1	OIL PIPE BRACKET	
25	L0004425	2	SINGLE HOLE PIPE CLAMP (2)	
26	L0003139	1	HEXAGON FLANGE BOLT	
27	L0003106	1	HEXAGON FLANGE BOLT	
28	L0003789	1	BRACKET	
29	L0004606	2	PIPE CLAMP	
30	L0003342	1	HEXAGON FLANGE NUT	
31	L0002379	2	RUBBER RING	
32	L0002718	2	CONNECTING JOINT M18-15	





POS	COD	Q.TÀ	DESCRIZIONE	ASSEMBLY NUMBER RANGE
1	L0002694	2	JOINT ASSEMBLY L12	
2	L0003667	1	LUBE OIL LINE	
3	L0004613	2	JOINT BODY M22-12 ASSEMBLY	
4	L0003213	1	JOINT	
5	L0003665	2	ADJUSTABLE JOINT M12-8 ASSEMBLY	
6	L0003669	1	OIL DELIVERY PIPE ASSEMBLY B	
7	L0003668	1	OIL DELIVERY PIPE ASSEMBLY A	
8	L0003215	2	JOINT	
9	L0003666	1	4WD CONTROL VALVE	
10	L0003663	1	SOLENOID VALVE OIL INLET HOSE ASSEMBLY	
11	L0003660	1	FILTER OIL OUTLET STEEL PIPE ASSEMBLY	
12	L0003137	2	HEXAGON FLANGE BOLT	
13	L0002417	2	SINGLE HOLE PIPE CLAMP	
14	L0003661	1	STEEL PIPE BRACKET	
15	L0003348	2	HEXAGON FLANGE NUT	
16	L0003106	1	HEXAGON FLANGE BOLT	
17	L0003670	1	SOLENOID VALVE BLOCK BRACKET	
18	L0003131	4	HEXAGON FLANGE NUT	
19	L0004426	2	DOUBLE-HOLE PIPE CLIP 2	
20	L0003346	1	HEXAGON FLANGE NUT	
21	L0003126	1	HEXAGON FLANGE NUT	
22	L0003017	2	PIPE CLAMP	
23	L0003869	1	JOINT BODY M18-12 ASSEMBLY	
24	L0003579	1	PLASTIC FASTENING STRIP	
25	L0003672	1	SOLENOID VALVE OIL RETURN STEEL PIPE ASSEMBLY	
26	L0003664	1	SOLENOID VALVE OIL RETURN HOSE ASSEMBLY	
27	L0003288	1	HEXAGON FLANGE NUT	
28	L0004203	1	JOINT BODY M12-8 ASSEMBLY	
29	L0003671	1	4WD CONTROL OIL PIPE ASSEMBLY	
30	L0003214	3	JOINT	
31	L0004596	4	JOINT BODY M18-15 ASSEMBLY	
32	L0003562	1	UNIDIRECTIONAL THROTTLE JOINT ASSEMBLY	

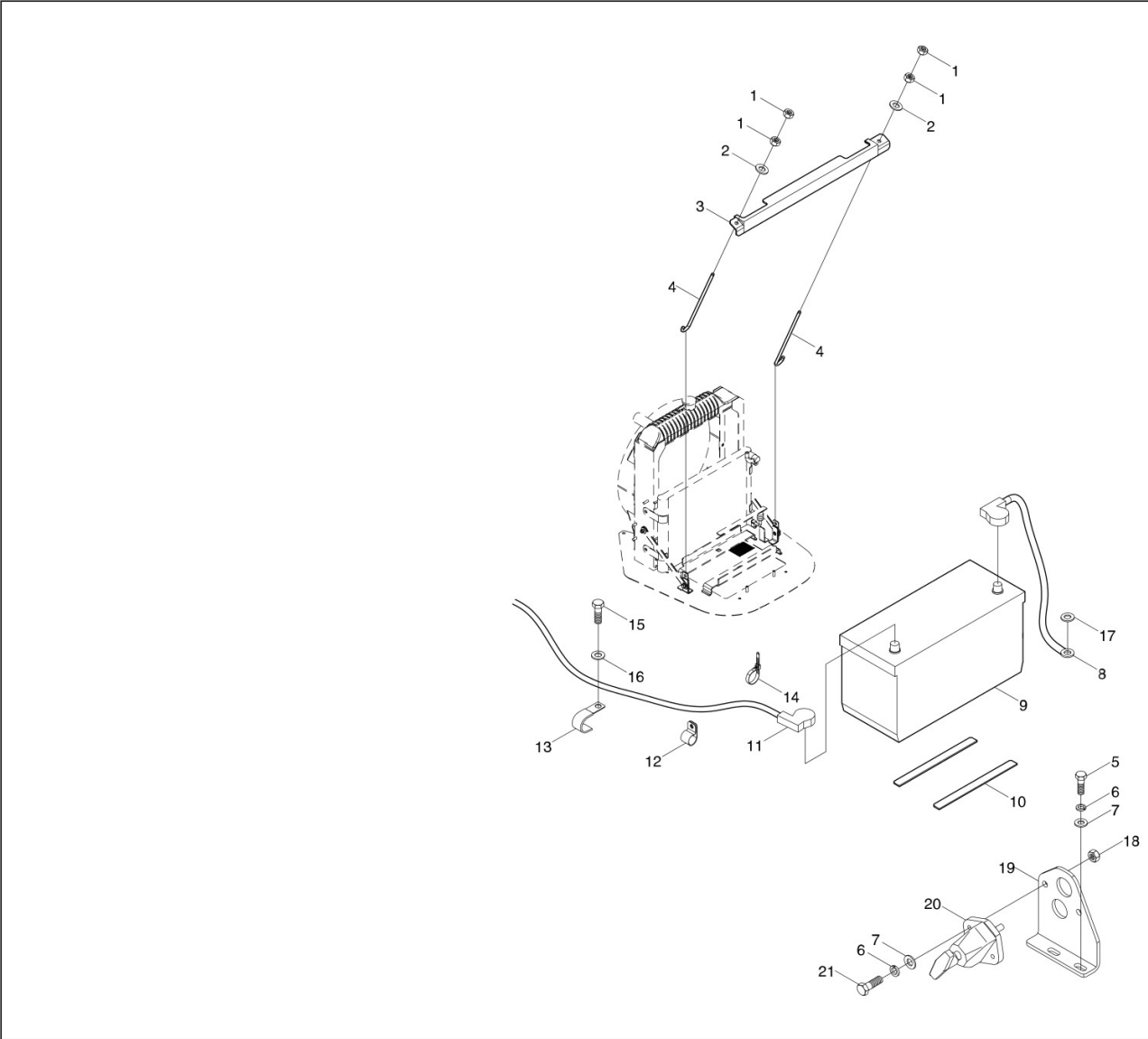




ARBOS

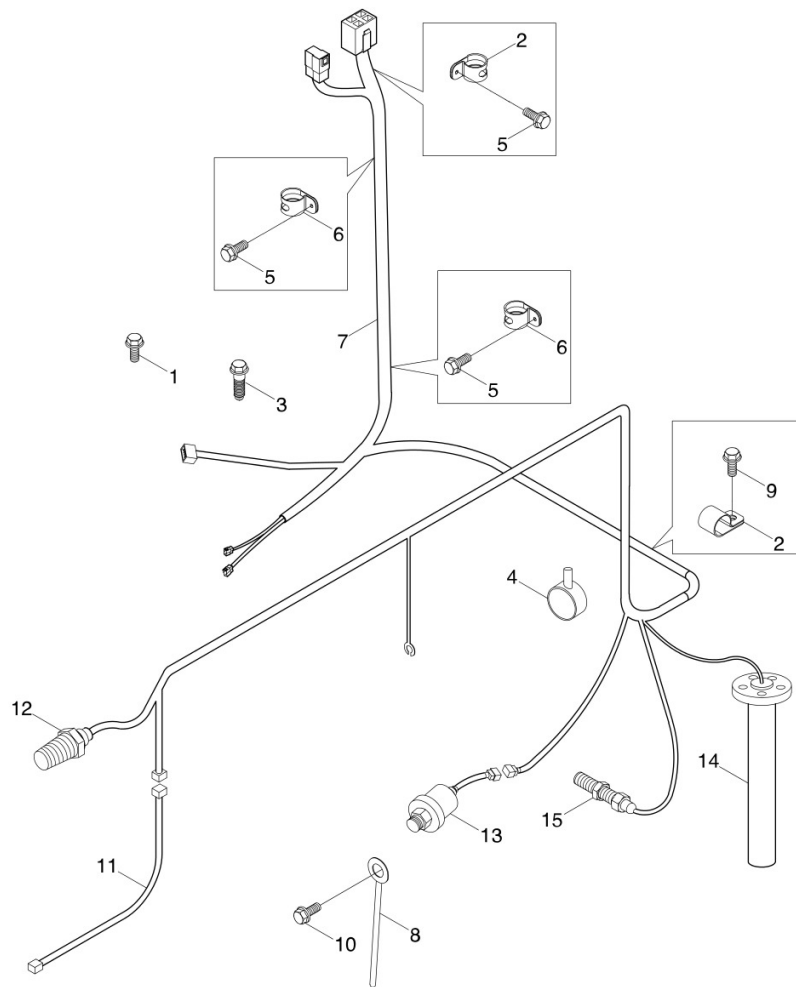
**3055
TUBO SCARICO LIBERO**

POS	COD	Q.TÀ	DESCRIZIONE	ASSEMBLY NUMBER RANGE
1	L0002839	1	BREATH ASSEMBLY	
2	L0002124	3	FASCETTA TIPO A	
3	L0003633	1	BREATH HOSE 8X2X1000	
4	L0003362	2	INNER HEXAGON SCREW	
5	L0003348	2	HEXAGON FLANGE NUT	
6	L0002452	4	TIE	
7	L0002809	1	PIPE JOINT	
8	L0003634	1	BREATH HOSE 8X2X380	
9	L0003131	2	HEXAGON FLANGE NUT	
10	L0003632	1	BREATHER INSTALLATION PLATE	
11	L0002495	1	HOLLOW BOLT	
12	L0003575	2	COMBINED SEAL GASKET	



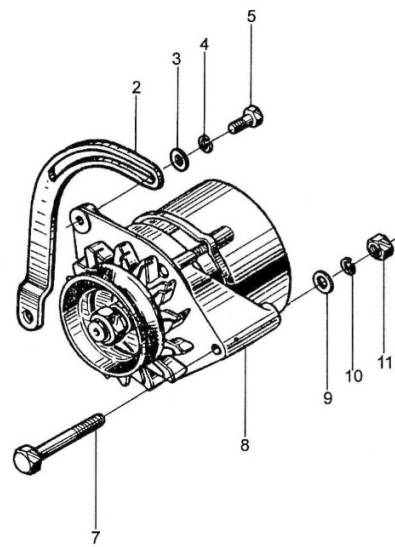
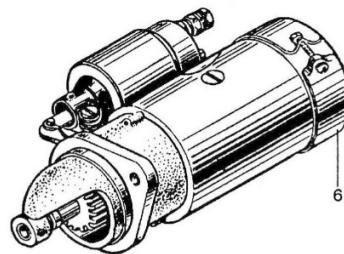
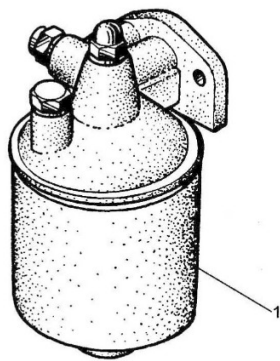


POS	COD	Q.TÀ	DESCRIZIONE	ASSEMBLY NUMBER RANGE
1	L0003318	4	HEXAGON NUT, TYPE-1	
2	L0003548	2	FLAT WASHER	
3	L0002737	1	PLATE WELDING ASSEMBLY	
4	L0002471	2	PULL ROD	
5	L0003275	2	HEXAGON BOLT	
6	L0002122	4	RONDELLA STANDARD	
7	L0003551	4	FLAT WASHER	
8	L000893	1	Battery Grounding Wire	
9	L0000589	1	BATTERIA	
10	L0002720	2	BATTERY SHOCK ABSORPTION MAT	
11	L0000892	1	CAVO POSITIVO BATTERIA	
12	L0002403	1	HARNESS TIGHTEN CLIP	
13	L0002506	1	HARNESS FIXING CLAMP (1)	
14	L0002364	1	PLASTIC FASTENING STRAP	
15	L0003273	1	HEXAGON BOLT	
16	L0002405	1	WASHER	
17	L0003523	1	BIG WASHER	
18	L0003320	2	HEXAGON NUT, TYPE-1	
19	L0003864	1	BRACKET	
20	L0002864	1	POWER SWITCH	
21	L0003277	2	HEXAGON HEAD BOLT	





POS	COD	Q.TÀ	DESCRIZIONE	ASSEMBLY NUMBER RANGE
1	L0003113	1	HEXAGON FLANGE BOLT	
2	L0002413	2	HARNESS TIGHTEN CLIP	
3	L0002671	1	FLANGED SCREW (M4X12)	
4	L0002452	5	TIE	
5	L0003134	3	HEXAGON FLANGE BOLT	
6	L0002438	2	HARNESS TIGHTEN CLIP	
7	L0003746	1	ENGINE HARNESS ASSEMBLY	
8	L0002626	1	GROUNDING WIRE	
9	L0003106	2	HEXAGON FLANGE BOLT	
10	L0003131	1	HEXAGON FLANGE NUT	
11	L0002860	1	AIR CONDITION DESICCATOR HARNESS	
12	L0000615	1	SENSORE TEMPERATURA ACQUA	
13	L0000484	1	ALLARME PRESSIONE OLIO	
14	L0002311	1	OIL QUANTITY SENSOR ASSEMBLY	
15	L0001802	1	SENSORE RPM	





ARBOS

3055
MOTORINO AVVIAMENTO, ALTERNATORE E FILTRO OLIO

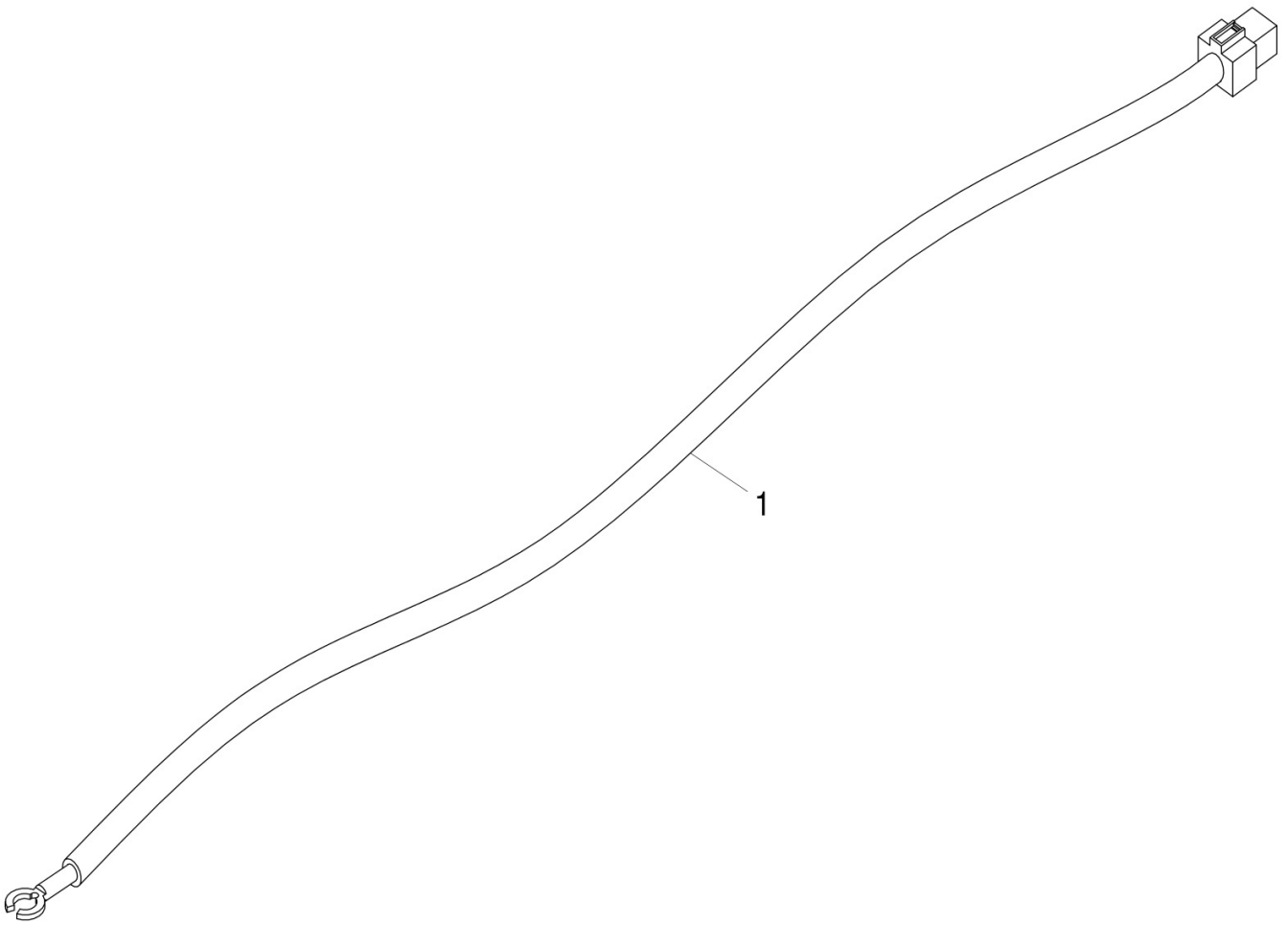
POS	COD	Q.TÀ	DESCRIZIONE	ASSEMBLY NUMBER RANGE
1	L0000059	1	FILTRO OLIO MOTORE COMPL. TB504	
2	L0005754	1	Adjusting lever for generator	
3	L0005643	1	Washer 8	
4	L0005622	1	Spring washer 12	
5	L0005621	1	Bolt M12 x28	
6	L0005755	1	Starting motor	
7	L0005625	1	Bolt M12 x65	
8	L0005619	1	Charging generator	
9	L0005626	1	Washer 12	
10	L0005622	1	Spring washer 12	
11	L0005654	1	Nut MIO	



ARBOS

3055

CANDELETTE PRERISCALDO



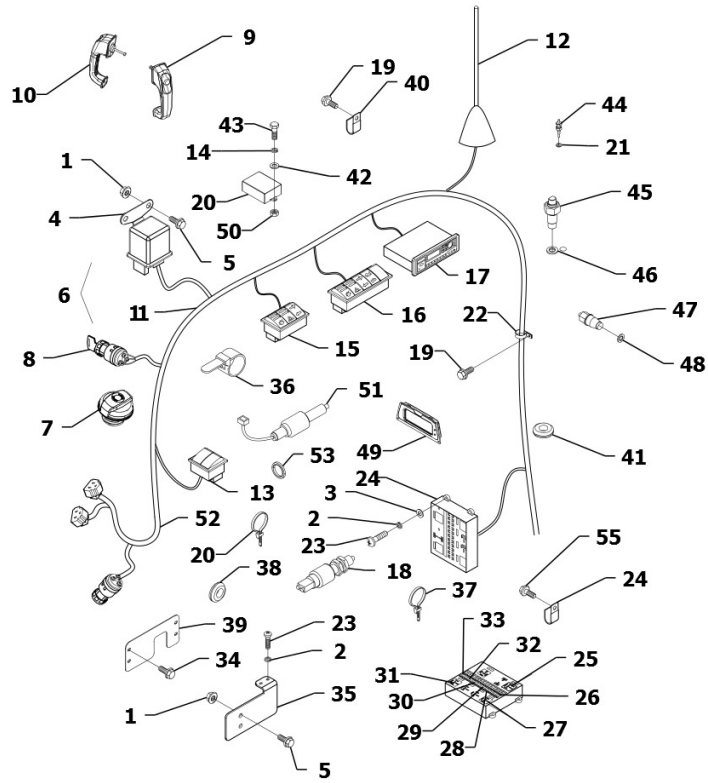


ARBOS

3055

CANDELETTE PRERISCALDO

POS	COD	Q.TÀ	DESCRIZIONE	ASSEMBLY NUMBER RANGE
1	L0005000	1	PREHEATING WIRE ASSEMBLY	

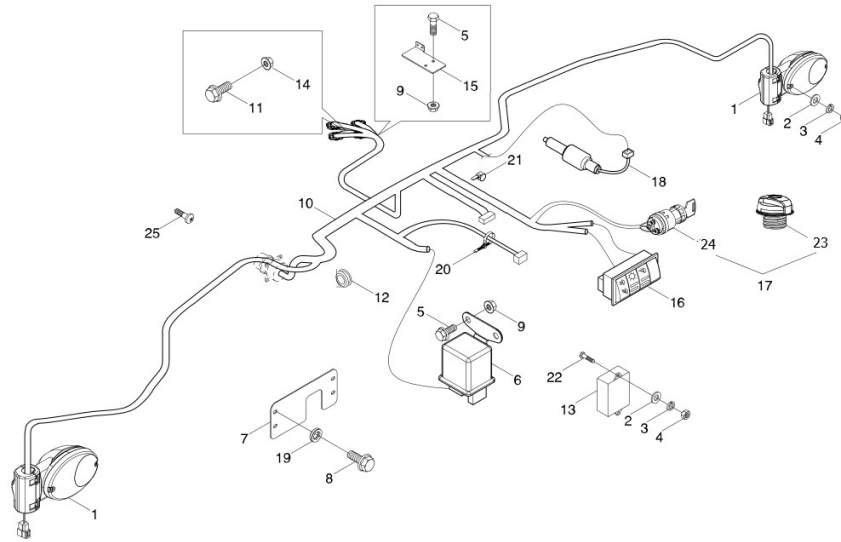




POS	COD	Q.TÀ	DESCRIZIONE	ASSEMBLY NUMBER RANGE
1	L0003346	4	HEXAGON FLANGE NUT	
2	L0003515	4	STANDARD SPRING WASHER	
3	L0003548	4	FLAT WASHER	
4	L0000479	1	RELE' MOTORINO DI AVVIAMENTO	
5	L0003124	4	HEXAGON FLANGE NUT	
6	L0002928	1	THREE-LOCK ASSEMBLY	
7	L0002813	1	OIL TANK COVER	
8	L0001941	1	BLOCCO DI ACCENSIONE	
9	L0004465	1	LEFT DOOR OUT HANDLE	
10	L0004467	1	RIGHT DOOR OUT HANDLE	
11	L0003751	1	BODY HARNESS ASSEMBLY	
12	L0002716	1	ANTENNA WIRE	
13	L0002769	1	TWO GANG PADDLE SWITCH	
14	L0003513	2	STANDARD SPRING WASHER	
15	L0003750	1	3-GANG PADDLE SWITCH	
16	L0003753	1	5-GANG PADDLE SWITCH	
17	L0001948	1	AUTORADIO	
18	L0001137	2	INTERRUTTORE LUCI FRENO	
19	L0003134	4	HEXAGON FLANGE BOLT	
20	L0003756	1	CONTROL BOX ASSEMBLY	
21	L0003551	1	FLAT WASHER	
22	L0002438	3	HARNESS TIGHTEN CLIP	
23	L0003389	4	CROSS SCREW	
24	L0002081	1	SCATOLA ELETTRICA CENTRALE	
25	L0003560	1	MAIN POWER RELAY	
26	L0001324	6	FUSIBILE	
27	L0000487	1	FLASH ELETTRICO	
28	L0002603	1	FUSES	
29	L0002601	4	FUSES	
30	L0002602	4	FUSES	
31	L0000490	2	RELE' DI PRERISCALDAMENTO	
32	L0002604	2	FUSES	
33	L0001325	2	FUSIBILE (20A)	
34	L0003122	4	HEXAGON FLANGE BOLT	
35	L0002526	1	INSERTS FIXING PLATE WELDMENT	
36	L0002452	33	TIE	
37	L0003579	4	PLASTIC FASTENING STRIP	
38	L0004527	1	RUBBER RING	
39	L0004528	1	RUBBER RING FIXING PLATE	
40	L0002506	2	HARNESS FIXING CLAMP (1)	

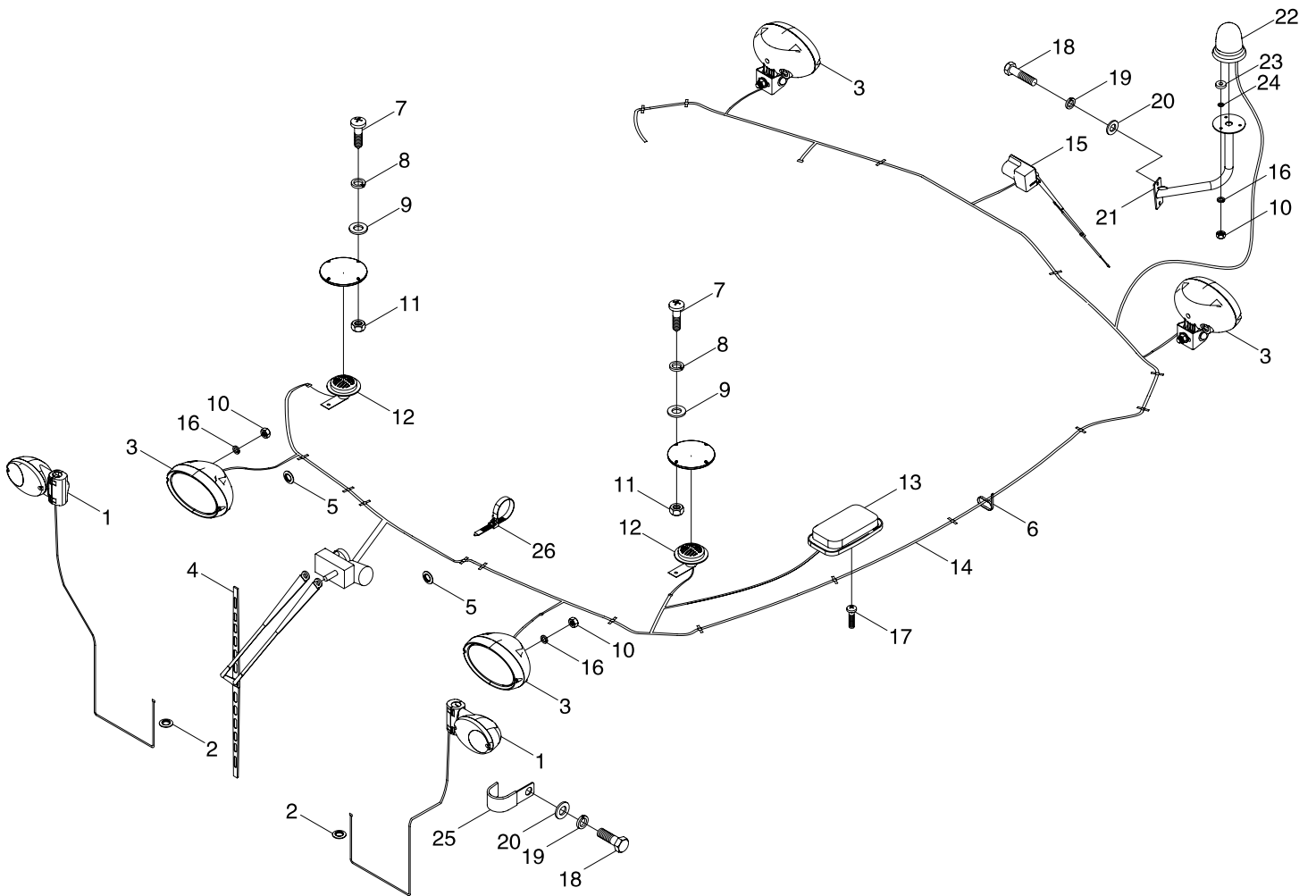


POS	COD	Q.TÀ	DESCRIZIONE	ASSEMBLY NUMBER RANGE
41	L0003820	1	THROUGH HARNESS WASHER	
42	L0003546	2	FLAT WASHER	
43	L0003266	2	HEXAGON BOLT	
44	L0002643	1	PARKING BRAKE SWITCH	
45	L0003749	1	SWITCH	
46	L0003576	1	COMBINED SEAL GASKET	
47	L0003748	1	STEERING LOW-PRESSURE ALARM SWITCH	
48	L0003573	1	COMBINED SEAL GASKET	
49	L0002253	1	WATCH	
50	L0003317	2	HEXAGON NUT, TYPE-1	
51	L0003754	1	RPM SENSOR	
52	L0003752	1	PTO TRANSIT WIRE ASSEMBLY	
53	L0003577	1	COMBINED SEAL GASKET	
54	L0002513	1	HARNESS TIGHTEN CLIP	
55	L0003104	1	HEXAGON FLANGE NUT	



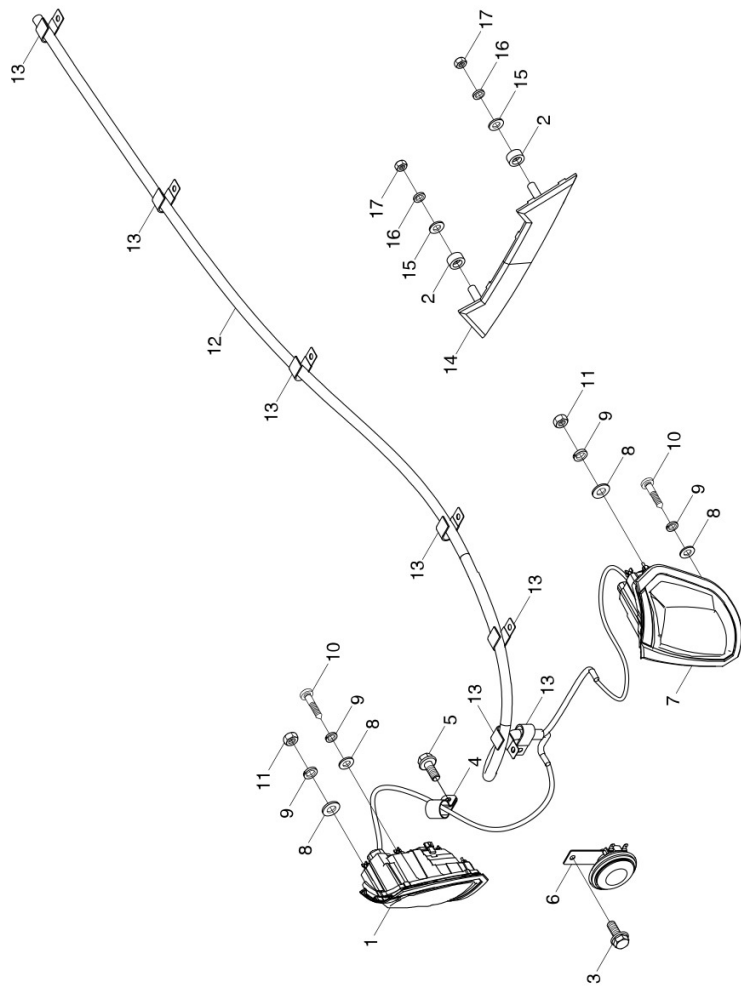


POS	COD	Q.TÀ	DESCRIZIONE	ASSEMBLY NUMBER RANGE
1	L0002243	2	RIGHT ARMREST LIGHT ASSEMBLY	
2	L0003546	4	FLAT WASHER	
3	L0003513	4	STANDARD SPRING WASHER	
4	L0003317	2	HEXAGON NUT, TYPE-1	
5	L0003124	4	HEXAGON FLANGE NUT	
6	L0000479	1	RELE' MOTORINO DI AVVIAMENTO	
7	L0004528	1	RUBBER RING FIXING PLATE	
8	L0003122	2	HEXAGON FLANGE BOLT	
9	L0003346	2	HEXAGON FLANGE NUT	
10	L0003755	1	BODY HARNESS ASSEMBLY	
11	L0003133	1	HEXAGON FLANGE BOLT	
12	L0003820	1	THROUGH HARNESS WASHER	
13	L0003756	1	CONTROL BOX ASSEMBLY	
14	L0003348	1	HEXAGON FLANGE NUT	
15	L0002526	1	INSERTS FIXING PLATE WELDMENT	
16	L0002769	1	TWO GANG PADDLE SWITCH	
17	L0002902	1	TWO-LOCK ASSEMBLY	
18	L0001137	2	INTERRUTORE LUCI FRENO	
19	L0004527	1	RUBBER RING	
20	L0003579	1	PLASTIC FASTENING STRIP	
21	L0002452	7	TIE	
22	L0003266	2	HEXAGON BOLT	
23	L0002813	1	OIL TANK COVER	
24	L0001941	1	BLOCCO DI ACCENSIONE	



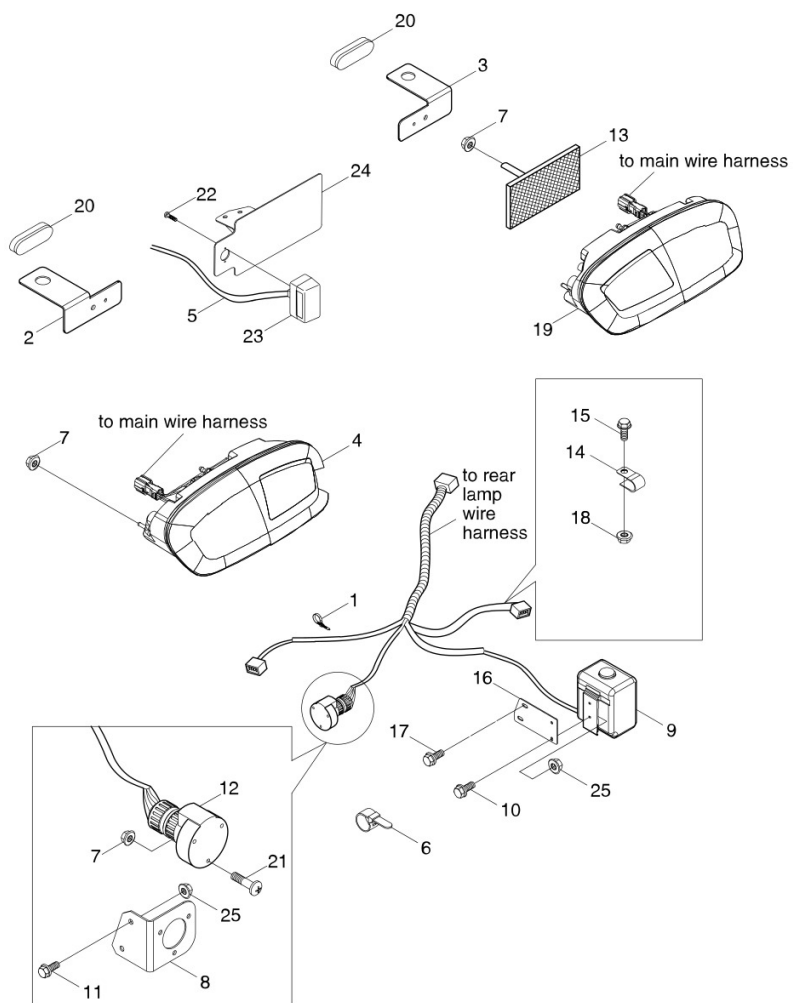
**ARBOS****3055
LAMPADA ROTANTE E LUCI SUPERIORI**

POS	COD	Q.TÀ	DESCRIZIONE	ASSEMBLY NUMBER RANGE
1	L0002841	2	RIGHT ARMREST LIGHT ASSEMBLY	
2	L0004537	2	RUBBER RING	
3	L0002853	4	TOP LIGHT ASSEMBLY	
4	L0003763	1	FRONT SCRAPER ASSEMBLY	
5	L0002483	4	THROUGH HARNESS WASHER(1)	
6	L0002452	10	TIE	
7	L0003377	8	CROSS SCREW	
8	L0003512	8	STANDARD SPRING WASHER	
9	L0003545	8	FLAT WASHER	
10	L0003318	11	HEXAGON NUT, TYPE-1	
11	L0003316	8	HEXAGON NUT, TYPE-1	
12	L0004538	2	LOUDHAILER ASSEMBLY	
13	L0002810	1	INNER TOP LIGHT ASSEMBLY	
14	L0002937	1	TOP LIGHT HARNESS ASSEMBLY	
15	L0003764	1	REAR SCRAPER ASSEMBLY	
16	L0003515	11	STANDARD SPRING WASHER	
17	L0003401	4	SCREW	
18	L0003275	4	HEXAGON BOLT	
19	L0002122	4	RONDELLA STANDARD	
20	L0003551	4	FLAT WASHER	
21	L0001950	1	SUPPORTO LAMPEGGIANTE	
22	L0001949	1	LAMPEGGIANTE	
23	L0002448	3	RUBBER WASHER	
24	L0003529	3	BIG WASHER	
25	L0002403	4	HARNESS TIGHTEN CLIP	
26	L0002364	2	PLASTIC FASTENING STRAP	



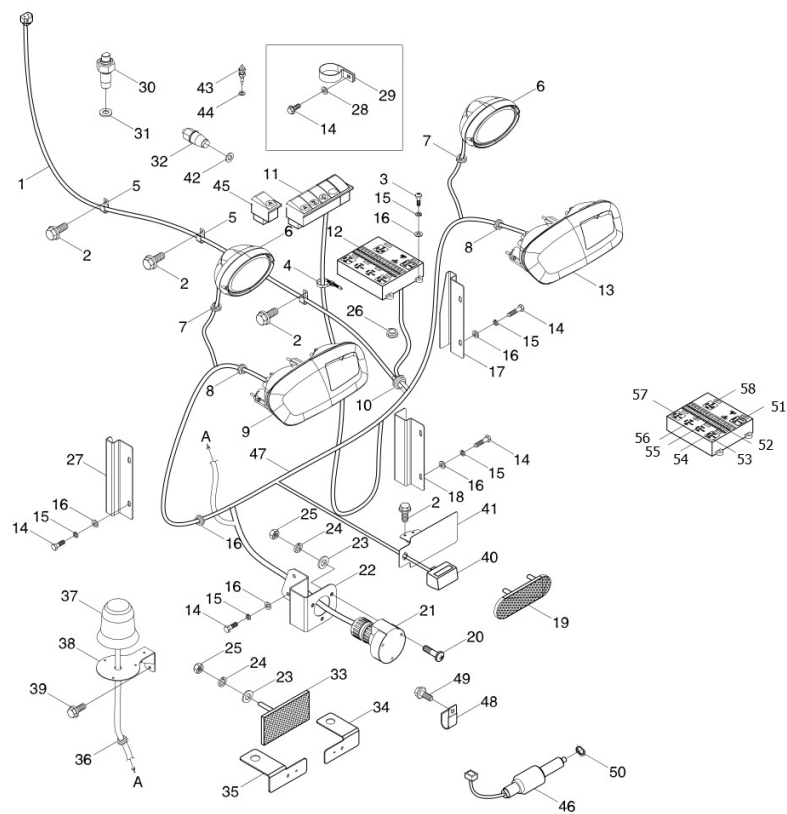


POS	COD	Q.TÀ	DESCRIZIONE	ASSEMBLY NUMBER RANGE
1	L0002945	1	RIGHT FRONT BIG LAMP ASSEMBLY	
2	L0002404	2	WASHER	
3	L0003131	2	HEXAGON FLANGE NUT	
4	L0002403	2	HARNESS TIGHTEN CLIP	
5	L0003123	1	HEXAGON FLANGE NUT	
6	L0003758	1	ELECTRIC HORN	
7	L0002944	1	LEFT FRONT BIG LAMP ASSEMBLY	
8	L0003548	8	FLAT WASHER	
9	L0003515	8	STANDARD SPRING WASHER	
10	L0003389	4	CROSS SCREW	
11	L0003318	4	HEXAGON NUT, TYPE-1	
12	L0003757	1	FRONT LAMP HARNESS ASSEMBLY	
13	L0002506	8	HARNESS FIXING CLAMP (1)	
14	L0002647	1	ADORNING STRIP	
15	L0003546	2	FLAT WASHER	
16	L0003513	2	STANDARD SPRING WASHER	
17	L0003317	2	HEXAGON NUT, TYPE-1	





POS	COD	Q.TÀ	DESCRIZIONE	ASSEMBLY NUMBER RANGE
1	L0002364	1	PLASTIC FASTENING STRAP	
2	L0002605	1	EMITTER FIXING BOARD (LEFT)	
3	L0002606	1	REFLECTOR ASSEMBLY PLATE (RIGHT)	
4	L0002939	1	LEFT TAIL LAMP ASSEMBLY	
5	L0002740	1	LICENSE LIGHT TRANSITION HARNESS	
6	L0002452	1	TIE	
7	L0003345	7	HEXAGON FLANGE NUT	
8	L0002556	1	TRAILER SOCKET INSTALLATION PLATE	
9	L0002859	1	SYRINGE ASSEMBLY	
10	L0003124	2	HEXAGON FLANGE NUT	
11	L0003127	2	HEXAGON FLANGE BOLT	
12	L0001341	1	PRESA SPINA POSTERIORE	
13	L0001333	2	COMPLESSO RIFLETTORE	
14	L0002506	3	HARNESS FIXING CLAMP (1)	
15	L0003133	4	HEXAGON FLANGE BOLT	
16	L0004536	1	INSTALLATION PLATE	
17	L0003138	2	HEXAGON FLANGE BOLT	
18	L0003348	4	HEXAGON FLANGE NUT	
19	L0002938	1	RIGHT TAIL LAMP	
20	L0002711	2	REFLECTOR	
21	L0003384	3	CROSS SCREW	
22	L0003399	2	SCREW	
23	L0000870	1	LAMPADA LICENZA	
24	L0003759	1	NAMEPLATE LAMP BRACKET WELDMENT	
25	L0003346	4	HEXAGON FLANGE NUT	

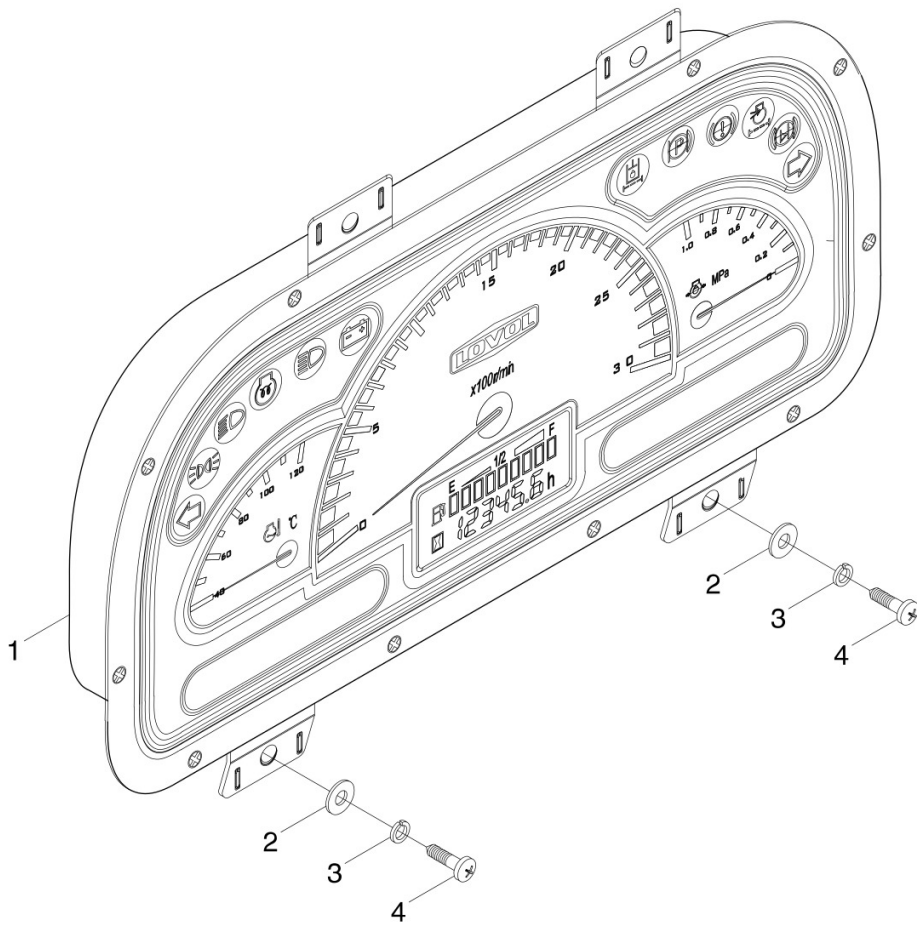


**ARBOS****3055
CAVO FANALI POSTERIORI**

POS	COD	Q.TÀ	DESCRIZIONE	ASSEMBLY NUMBER RANGE
1	L0003761	1	REAR LAMP HARNESS ASSEMBLY	
2	L0003133	5	HEXAGON FLANGE BOLT	
3	L0003390	4	CROSS SCREW	
4	L0002452	17	TIE	
5	L0002438	5	HARNESS TIGHTEN CLIP	
6	L0002852	2	REAR LAMP ASSEMBLY	
7	L0003881	4	RUBBER RING	
8	L0004530	2	RUBBER RING	
9	L0002939	1	LEFT TAIL LAMP ASSEMBLY	
10	L0002414	2	THROUGH HARNESS WASHER 3	
11	L0003760	1	5-GANG PADDLE SWITCH	
12	L0004535	1	CENTRAL ELECTRICAL BOX ASSEMBLY	
13	L0002938	1	RIGHT TAIL LAMP	
14	L0003124	10	HEXAGON FLANGE NUT	
15	L0003515	4	STANDARD SPRING WASHER	
16	L0003548	4	FLAT WASHER	
17	L0004532	1	WIRE HARNESS PROTECTION PLATE 2	
18	L0004533	1	WIRE HARNESS PROTECTION PLATE 3	
19	L0002711	2	REFLECTOR	
20	L0002341	3	SCREW	
21	L0001341	1	PRESA SPINA POSTERIORE	
22	L0004534	1	TRAILER SOCKET INSTALLATION PLATE WELDMENT	
23	L0003546	7	FLAT WASHER	
24	L0003513	7	STANDARD SPRING WASHER	
25	L0003317	6	HEXAGON NUT, TYPE-1	
26	L0004529	1	RUBBER RING	
27	L0004531	1	WIRE HARNESS PROTECTION PLATE 1	
28	L0003529	1	BIG WASHER	
29	L0002403	1	HARNESS TIGHTEN CLIP	
30	L0003749	1	SWITCH	
31	L0003576	1	COMBINED SEAL GASKET	
32	L0003748	1	STEERING LOW-PRESSURE ALARM SWITCH	
33	L0001333	2	COMPLESSO RIFLETTORE	
34	L0002606	1	REFLECTOR ASSEMBLY PLATE (RIGHT)	
35	L0002605	1	EMITTER FIXING BOARD (LEFT)	
36	L0002483	2	THROUGH HARNESS WASHER(1)	
37	L0001949	1	LAMPEGGIANTE	
38	L0004602	1	ALARM LIGHT BRACKET WELDMENT	
39	L0003142	2	HEXAGON FLANGE NUT	
40	L0000870	1	LAMPADA LICENZA	



POS	COD	Q.TÀ	DESCRIZIONE	ASSEMBLY NUMBER RANGE
41	L0003759	1	NAMEPLATE LAMP BRACKET WELDMENT	
42	L0003573	1	COMBINED SEAL GASKET	
43	L0002643	1	PARKING BRAKE SWITCH	
44	L0003551	1	FLAT WASHER	
45	L0003762	1	4WD PADDLE SWITCH	
46	L0003754	1	RPM SENSOR	
47	L0003752	1	PTO TRANSIT WIRE ASSEMBLY	
48	L0002513	1	HARNESSTIGHTEN CLIP	
49	L0003104	1	HEXAGON FLANGE NUT	
50	L0003577	1	COMBINED SEAL GASKET	
51	L0003560	1	MAIN POWER RELAY	
52	L0001324	6	FUSIBILE	
53	L0000487	1	FLASH ELETTRICO	
54	L0002603	3	FUSES	
55	L0002601	4	FUSES	
56	L0002602	6	FUSES	
57	L0000490	1	RELE' DI PRERISCALDAMENTO	

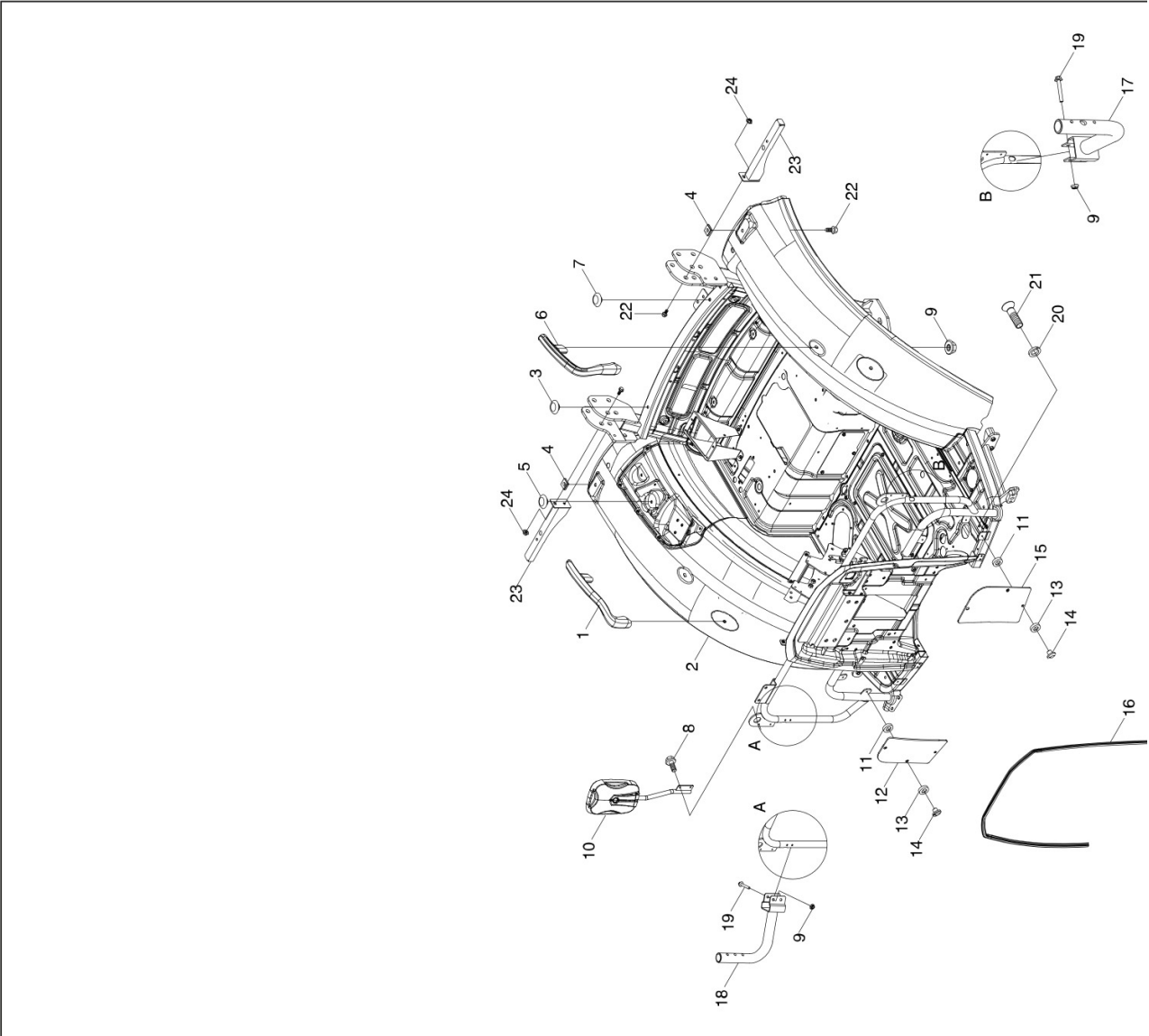




ARBOS

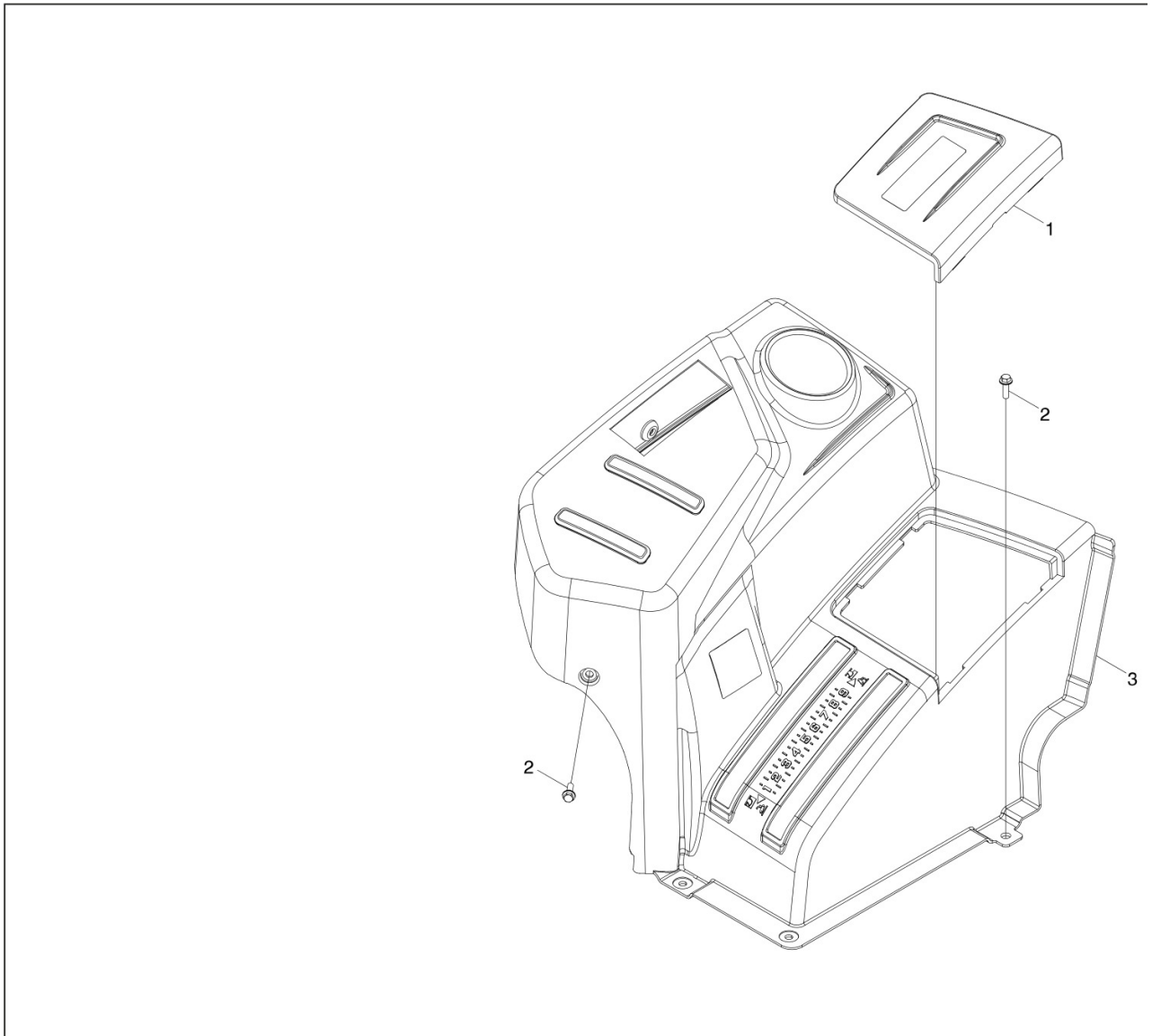
3055
CRUSCOTTO - STRUMENTAZIONE

POS	COD	Q.TÀ	DESCRIZIONE	ASSEMBLY NUMBER RANGE
1	L0003765	1	COMBINED INSTRUMENT ASSEMBLY	
2	L0003529	4	BIG WASHER	
3	L0003515	4	STANDARD SPRING WASHER	
4	L0003387	4	CROSS SCREW	



**ARBOS****3055
PIATTAFORMA**

POS	COD	Q.TÀ	DESCRIZIONE	ASSEMBLY NUMBER RANGE
1	L0002772	1	RIGHT HANDRAIL	
2	L0003731	1	FLOOR WELDING ASSEMBLY	
3	L0004582	2	PROCESS PLUG COVER 3	
4	L0002419	2	REAR FENDER FIXING GASKET	
5	L0004580	1	PROCESS PLUG COVER 1	
6	L0002771	1	LEFT HANDRAIL	
7	L0004583	2	PROCESS PLUG COVER 4	
8	L0003122	4	HEXAGON FLANGE BOLT	
9	L0003346	4	HEXAGON FLANGE NUT	
10	L0002877	2	RIGHT REAR MIRROR ASSEMBLY	
11	L0002351	6	RUBBER WASHER	
12	L0004496	1	RIGHT FRONT WINDSHIELD	
13	L0002519	6	RUBBER WASHER	
14	L0002437	6	CAST NUT	
15	L0004495	1	LEFT FRONT WINDSHIELD	
16	L0004497	1	FRONT PANEL SEAL STRIP	
17	L0004493	1	POSITION LAMP BRACKET LEFT PIECE WELDMENT	
18	L0004494	1	POSITION LAMP BRACKET RIGHT PIECE WELDMENT	
19	L0003126	4	HEXAGON FLANGE NUT	
20	L0003513	6	STANDARD SPRING WASHER	
21	L0003381	6	CROSS SCREW	
22	L0003134	6	HEXAGON FLANGE BOLT	
23	L0004491	2	REAR CONNECTING PLATE WELDMENT	
24	L0003348	6	HEXAGON FLANGE NUT	

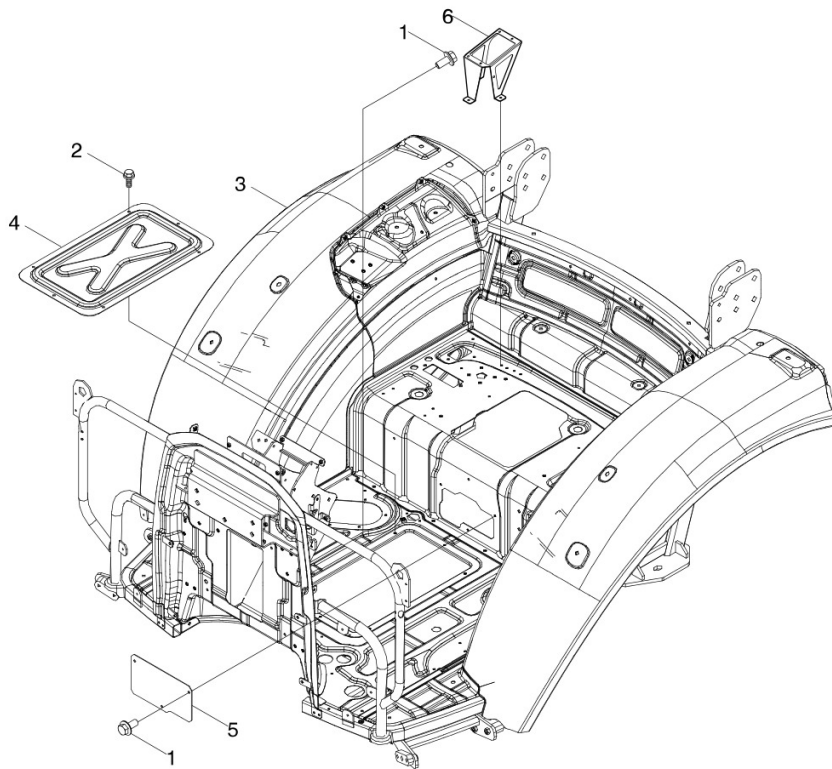




ARBOS

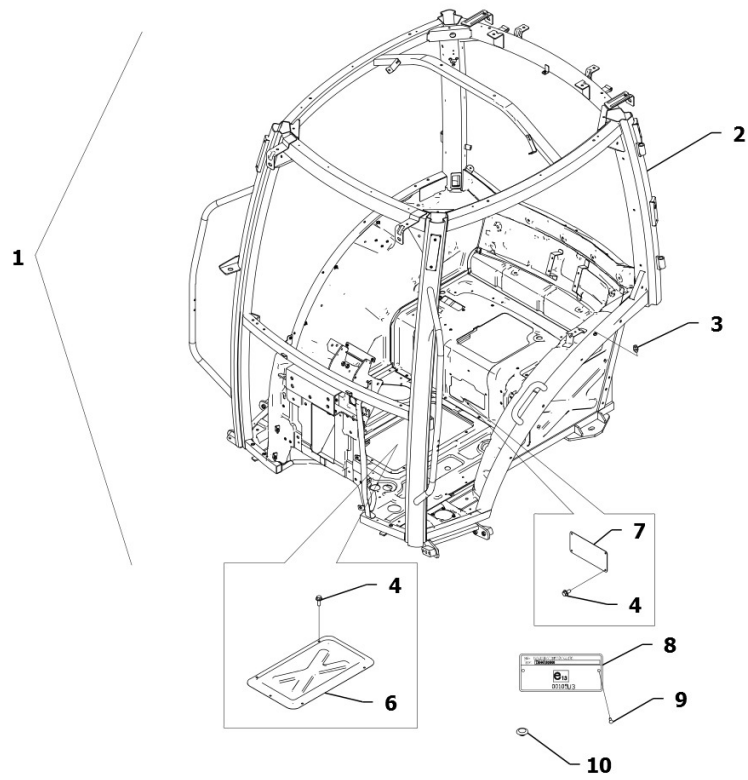
**3055
PROTEZIONI COMANDI**

POS	COD	Q.TÀ	DESCRIZIONE	ASSEMBLY NUMBER RANGE
1	L0002781	1	ELECTRICAL BOX COVER	
2	L0003125	7	HEXAGON FLANGE NUT	
3	L0003734	1	CONTROL COVER PLATE	





POS	COD	Q.TÀ	DESCRIZIONE	ASSEMBLY NUMBER RANGE
1	L0003122	6	HEXAGON FLANGE BOLT	
2	L0003123	5	HEXAGON FLANGE NUT	
3	L0003732	1	FLOOR WELDMENT	
4	L0004453	1	GEARBOX MAINTENANCE WINDOW COVER	
5	L0004454	1	REAR FLOOR COVER	
6	L0004492	1	CENTRAL ELECTRIC BOX BRACKET WELDMENT	

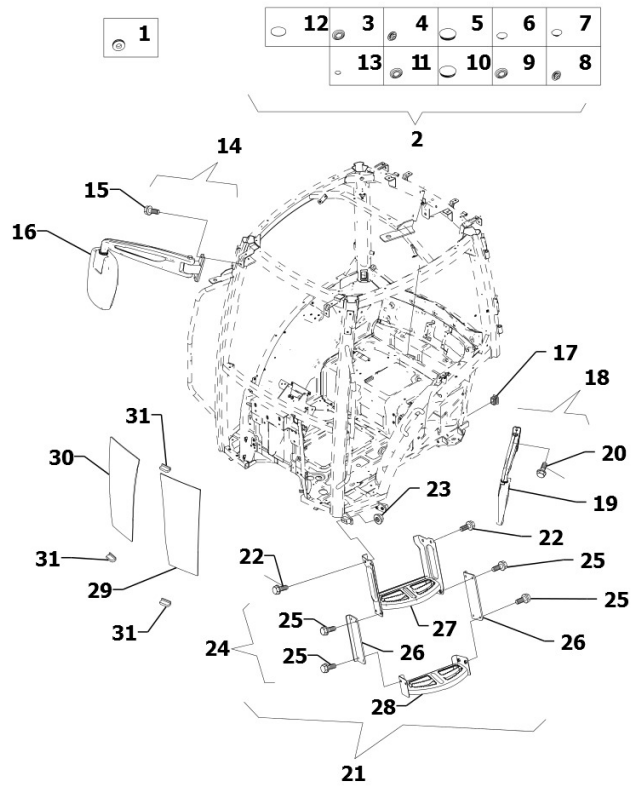




ARBOS

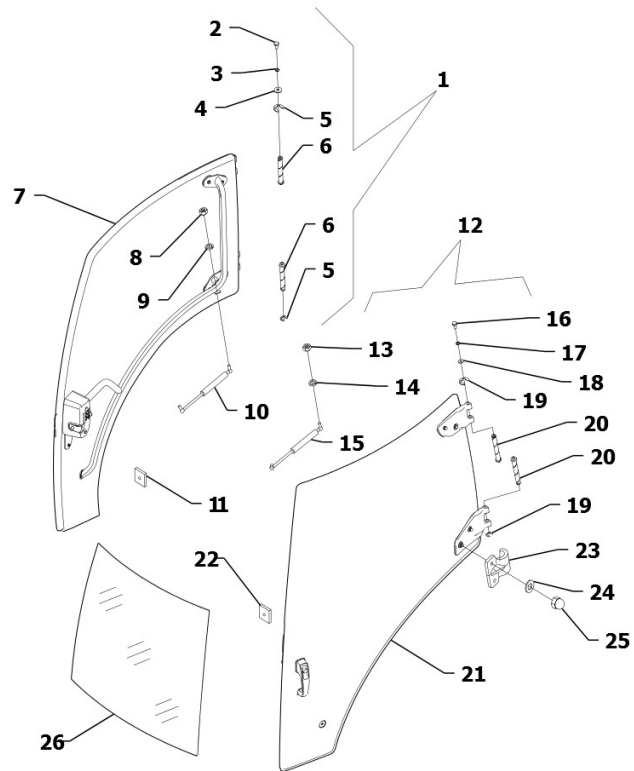
**3055
CABINA COMPLETA**

POS	COD	Q.TÀ	DESCRIZIONE	ASSEMBLY NUMBER RANGE
1	L0003729	1	CAB WELDMENT	
2	L0003730	1	CAB BODY WELDMENT	
3	L0004564	2	DOOR AIR SPRING SEAT	
4	L0003123	5	HEXAGON FLANGE NUT	
5	L0003122	3	HEXAGON FLANGE BOLT	
6	L0004453	1	GEARBOX MAINTENANCE WINDOW COVER	
7	L0004454	1	REAR FLOOR COVER	
8	L0003728	1	EC NAMEPLATE (CAB)	
9	L0003102	2	RIVET	
10	L0002412	1	PLUG COVER	



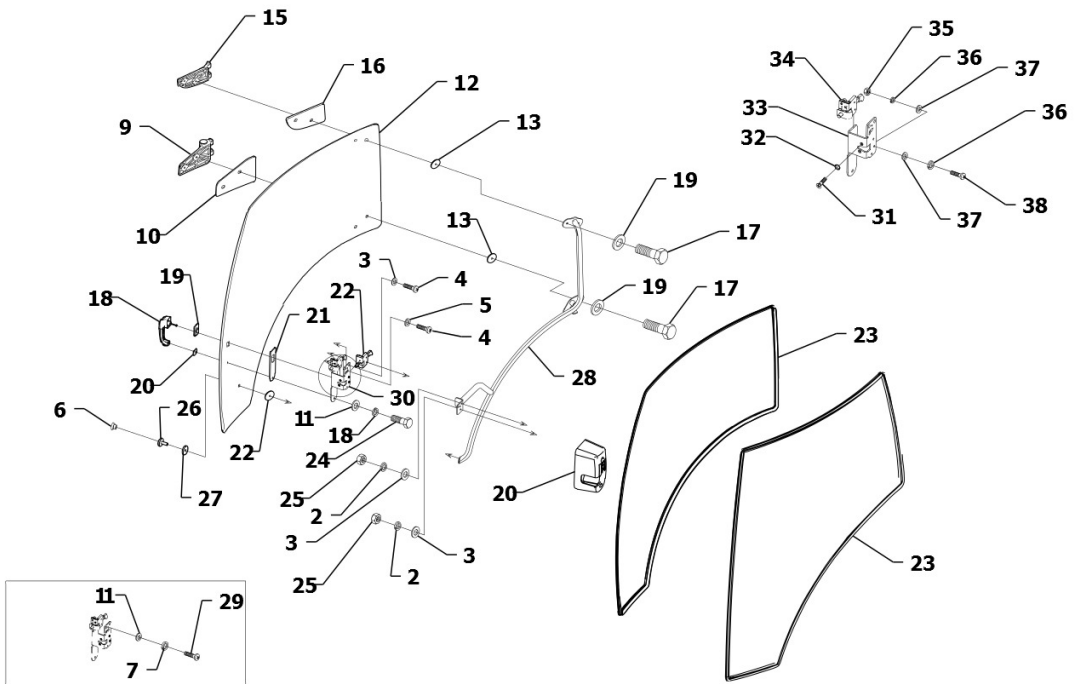


POS	COD	Q.TÀ	DESCRIZIONE	ASSEMBLY NUMBER RANGE
1	L0002483	4	THROUGH HARNESS WASHER(1)	
2	L0004473	1	CAB SEAL	
3	L0004447	2	PROCESS PLUG COVER 1	
4	L0004580	14	PROCESS PLUG COVER 1	
5	L0003879	4	PLUG COVER	
6	L0004581	4	PROCESS PLUG COVER 2	
7	L0004583	1	PROCESS PLUG COVER 4	
8	L0004582	6	PROCESS PLUG COVER 3	
9	L0004448	6	PLUG COVER	
10	L0003880	1	PLUG COVER	
11	L0004452	1	PLUG COVER	
12	L0003591	2	3M PASTE	
13	L0003590	1	3M PASTE	
14	L0001984	1	SPECCHIO POSTERIORE DX	
15	L0003134	2	HEXAGON FLANGE BOLT	
16	L0004579	1	RIGHT REAR MIRROR ASSEMBLY	
17	L0004446	2	PLUG COVER	
18	L0002129	1	SPECCHIO SX. COMPL.	
19	L0002916	1	LEFT REAR MIRROR ASSEMBLY	
20	L0003134	2	HEXAGON FLANGE BOLT	
21	L0002256	1	LEFT LADDER	
22	L0003112	4	HEXAGON FLANGE NUT	
23	L0003342	1	HEXAGON FLANGE NUT	
24	L0003819	1	STEP LADDER SUBASSEMBLY	
25	L0003131	8	HEXAGON FLANGE NUT	
26	L0003818	2	LADDER PLATE	
27	L0003817	1	LEFT STEP LADDER WELDMENT	
28	L0004470	1	PEDAL WELDMENT	
29	L0002822	1	LEFT FRONT LOWER WINDOW GLASS	
30	L0001992	1	MONTAGGIO PORTA SX	
31	L0004565	2	GLASS MOUNTINGS MAT	



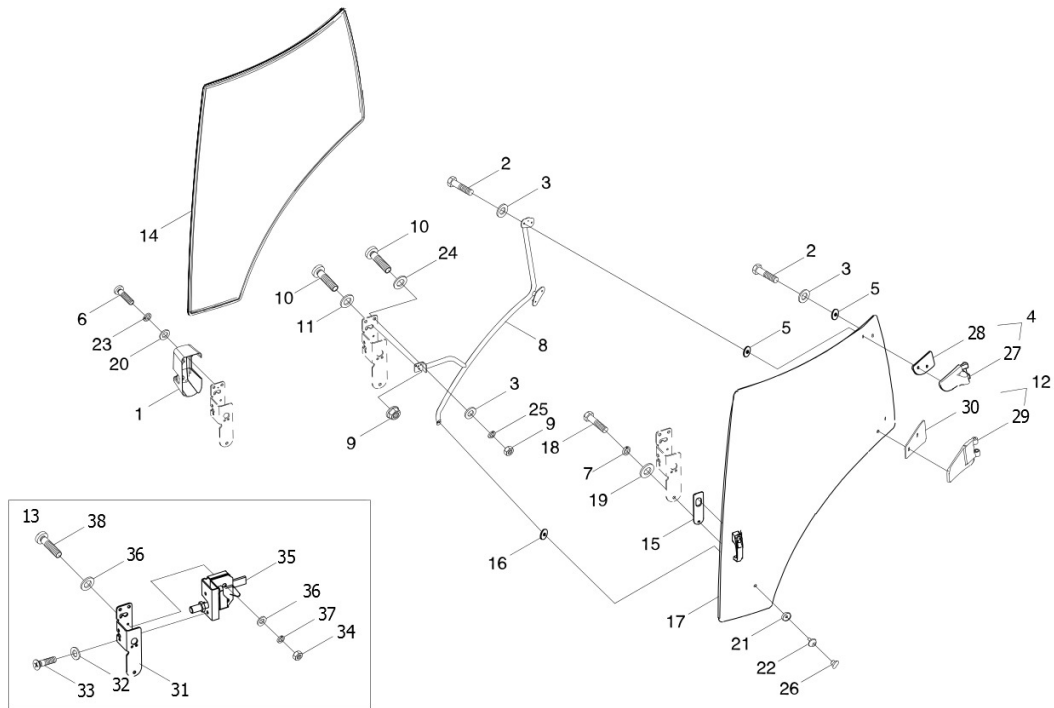


POS	COD	Q.TÀ	DESCRIZIONE	ASSEMBLY NUMBER RANGE
1	L0004481	1	RIGHT DOOR ASSEMBLY	
2	L0003267	1	HEXAGON BOLT	
3	L0003515	1	STANDARD SPRING WASHER	
4	L0003529	1	BIG WASHER	
5	L0003475	2	SPLIT RETAINER RING	
6	L0004567	2	DOOR HINGE PIN SUPPLY ASSEMBLY	
7	L0004482	1	RIGHT DOOR	
8	L0003320	1	HEXAGON NUT, TYPE-1	
9	L0002122	1	RONDELLA STANDARD	
10	L0001947	1	CILINDRI APERTURA TETTuccio	
11	L0004459	1	DOOR LOCK NUT SEAT	
12	L0001992	1	MONTAGGIO PORTA SX	
13	L0003320	1	HEXAGON NUT, TYPE-1	
14	L0002122	1	RONDELLA STANDARD	
15	L0001947	1	CILINDRI APERTURA TETTuccio	
16	L0003267	1	HEXAGON BOLT	
17	L0003515	3	STANDARD SPRING WASHER	
18	L0003529	1	BIG WASHER	
19	L0003475	2	SPLIT RETAINER RING	
20	L0004567	2	DOOR HINGE PIN SUPPLY ASSEMBLY	
21	L0004474	1	LEFT DOOR	
22	L0004459	1	DOOR LOCK NUT SEAT	
23	L0004480	1	DOOR LIMITING BLOCK	
24	L0003551	2	FLAT WASHER	
25	L0003503	2	CAP NUT	
26	L0001944	1	PARABREZZA ANTERIORE	



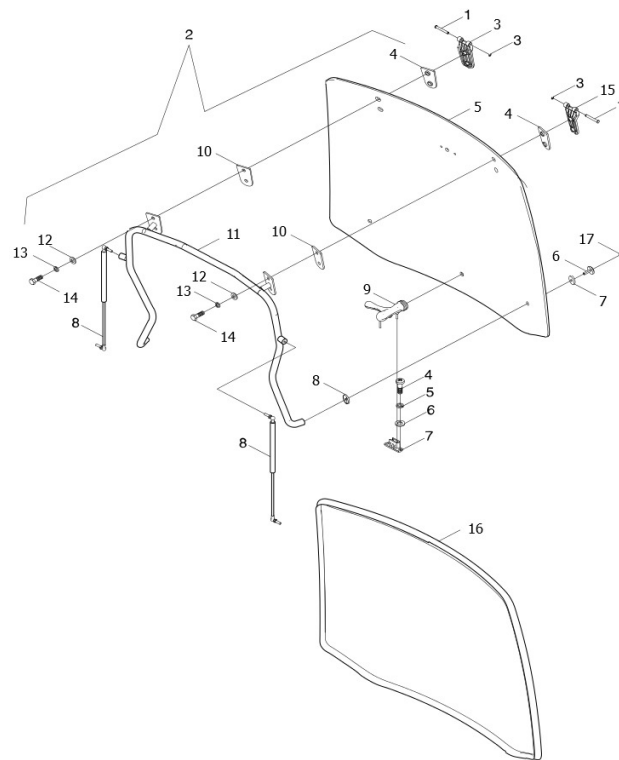


POS	COD	Q.TÀ	DESCRIZIONE	ASSEMBLY NUMBER RANGE
1	L0003548	4	FLAT WASHER	
2	L0002122	3	RONDELLA STANDARD	
3	L0003551	6	FLAT WASHER	
4	L0003275	4	HEXAGON BOLT	
5	L0003218	1	BIG WASHER	
6	L0004463	1	PLASTIC CASTING BOLT PLUG COVER	
7	L0003515	4	STANDARD SPRING WASHER	
8	L0002881	1	RIGHT DOOR HINGE CHAIN SUPPLY ASSEMBLY (LOWER)	
9	L0004486	1	RIGHT DOOR HINGE CHAIN (LOWER)	
10	L0004484	1	GASKET OF RIGHT DOOR HINGE CHAIN (LOWER)	
11	L0003530	1	BIG WASHER	
12	L0002128	1	VETRO PORTA DX.	
13	L0004475	4	DOOR HINGE IN RUBBER WASHER	
14	L0002870	1	RIGHT DOOR HINGE CHAIN SUPPLY ASSEMBLY (UPPER)	
15	L0004485	1	RIGHT DOOR HINGE CHAIN (UPPER)	
16	L0004483	1	GASKET OF RIGHT DOOR HINGE CHAIN (UPPER)	
17	L0003394	3	CROSS SCREW	
18	L0003516	1	STANDARD SPRING WASHER	
19	L0003532	3	BIG WASHER	
20	L0004573	1	RIGHT DOOR LOCK BONNET	
21	L0004458	1	DOOR LOCK BRACKET BACKING PLATE	
22	L0004464	1	DOOR GLASS RUBBER PAD	
23	L0004460	1	DOOR SEAL STRIP	
24	L0003272	3	HEXAGON BOLT	
25	L0003320	3	HEXAGON NUT, TYPE-1	
26	L0004462	1	CAST BOLT	
27	L0002367	1	GLASS OUT WASHER	
28	L0004466	1	RIGHT DOOR RAIL WELDMENT	
29	L0003387	2	CROSS SCREW	
30	L0002889	1	RIGHT DOOR LOCK SUPPLY ASSEMBLY	
31	L0003395	2	SCREW	
32	L0003519	2	LOCK WASHER	
33	L0004571	1	RIGHT DOOR INSTALLATION BRACKET	
34	L0004572	1	RIGHT DOOR LOCK	
35	L0003318	2	HEXAGON NUT, TYPE-1	
36	L0003515	2	STANDARD SPRING WASHER	
37	L0003548	4	FLAT WASHER	
38	L0003391	2	CROSS SCREW	



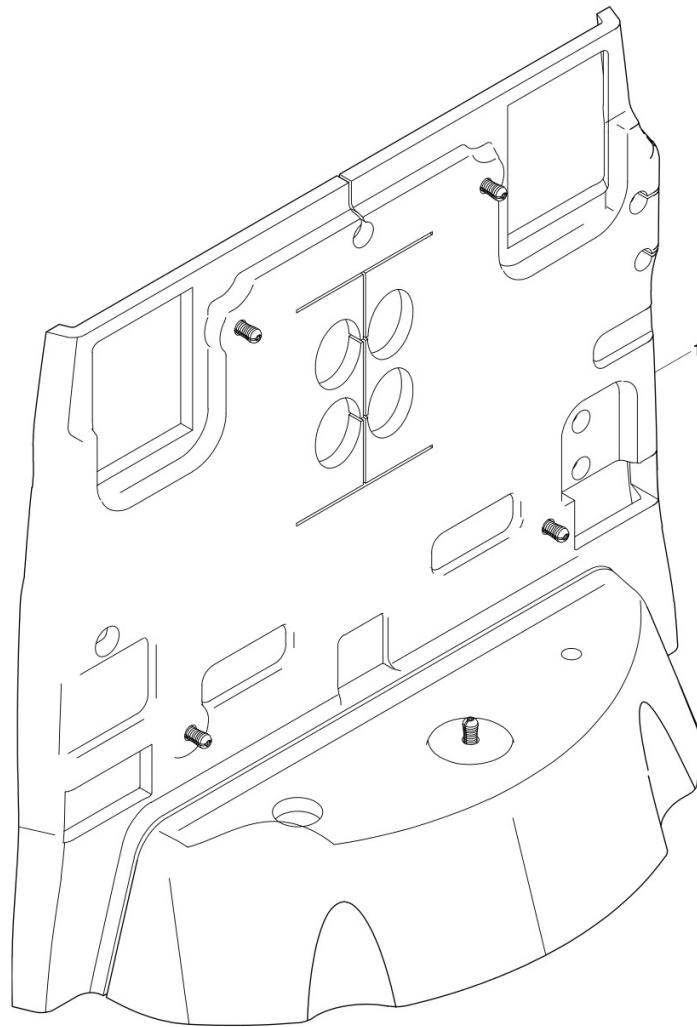


POS	COD	Q.TÀ	DESCRIZIONE	ASSEMBLY NUMBER RANGE
1	L0004570	1	LEFT DOOR LOCK BONNET	
2	L0003275	4	HEXAGON BOLT	
3	L0003532	3	BIG WASHER	
4	L0002868	1	LEFT DOOR HINGE CHAIN SUPPLY ASSEMBLY (UPPER)	
5	L0004475	4	DOOR HINGE IN RUBBER WASHER	
6	L0003387	2	CROSS SCREW	
7	L0003516	1	STANDARD SPRING WASHER	
8	L0004461	1	LEFT DOOR RAIL WELDMENT	
9	L0003320	3	HEXAGON NUT, TYPE-1	
10	L0003394	3	CROSS SCREW	
11	L0003218	1	BIG WASHER	
12	L0002880	1	LEFT DOOR HINGE CHAIN SUPPLY ASSEMBLY (LOWER)	
13	L0002888	1	LEFT DOOR LOCK SUPPLY ASSEMBLY	
14	L0004460	1	DOOR SEAL STRIP	
15	L0004458	1	DOOR LOCK BRACKET BACKING PLATE	
16	L0004464	1	DOOR GLASS RUBBER PAD	
17	L0002127	1	VETRO PORTA SX.	
18	L0003272	3	HEXAGON BOLT	
19	L0003530	1	BIG WASHER	
20	L0003515	4	STANDARD SPRING WASHER	
21	L0002367	1	GLASS OUT WASHER	
22	L0004462	1	CAST BOLT	
23	L0003548	4	FLAT WASHER	
24	L0003551	6	FLAT WASHER	
25	L0002122	3	RONDELLA STANDARD	
26	L0004463	1	PLASTIC CASTING BOLT PLUG COVER	
27	L0004478	1	LEFT DOOR HINGE CHAIN (UPPER)	
28	L0004476	1	GASKET OF LEFT DOOR HINGE CHAIN (UPPER)	
29	L0004477	1	GASKET OF LEFT DOOR HINGE CHAIN (LOWER)	
30	L0004479	1	LEFT DOOR HINGE CHAIN (LOWER)	
31	L0004568	1	LEFT DOOR LOCK BONNET	
32	L0003519	2	LOCK WASHER	
33	L0003395	2	SCREW	
34	L0003318	2	HEXAGON NUT, TYPE-1	
35	L0004569	1	LEFT DOOR LOCK BODY	
36	L0003548	4	FLAT WASHER	
37	L0003515	2	STANDARD SPRING WASHER	
38	L0003391	2	CROSS SCREW	





POS	COD	Q.TÀ	DESCRIZIONE	ASSEMBLY NUMBER RANGE
1	L0004575	2	BACK WINDOWS HINGED PIN SHAFT	
2	L0004487	1	BACK WIND WINDOWS	
3	L0004489	1	BACK WINDOWS RIGHT HINGED SEAT	
4	L0004577	2	BACK WINDOWS HINGED OUT PAD BOARD	
5	L0001923	1	VETRO POSTERIORE TB504 3^ SERIE	
6	L0004462	2	CAST BOLT	
7	L0002367	2	GLASS OUT WASHER	
8	L0002366	2	GLASS IN WASHER	
9	L0004576	1	HANDLE ASSEMBLY	
10	L0004490	2	BACK WINDOWS HINGED INTO PAD BOARD	
11	L0004468	1	REAR WINDOW ARMREST WELDMENT	
12	L0003532	4	BIG WASHER	
13	L0003517	4	STANDARD SPRING WASHER	
14	L0003275	4	HEXAGON BOLT	
15	L0004488	1	BACK WINDOWS LEFT HINGED SEAT	
16	L0004469	1	REAR WINDOW SEAL STRIP	
17	L0004463	2	PLASTIC CASTING BOLT PLUG COVER	
18	L0003476	2	SPLIT RETAINER RING	
19	L0002340	2	CROSS SCREW	
20	L0002337	2	STANDARD SPRING WASHER	
21	L0003547	2	PLAIN WASHER	
22	L0004574	1	SEAT	
23	L0002063	2	MOLLA FINESTRINO POSTERIORE	





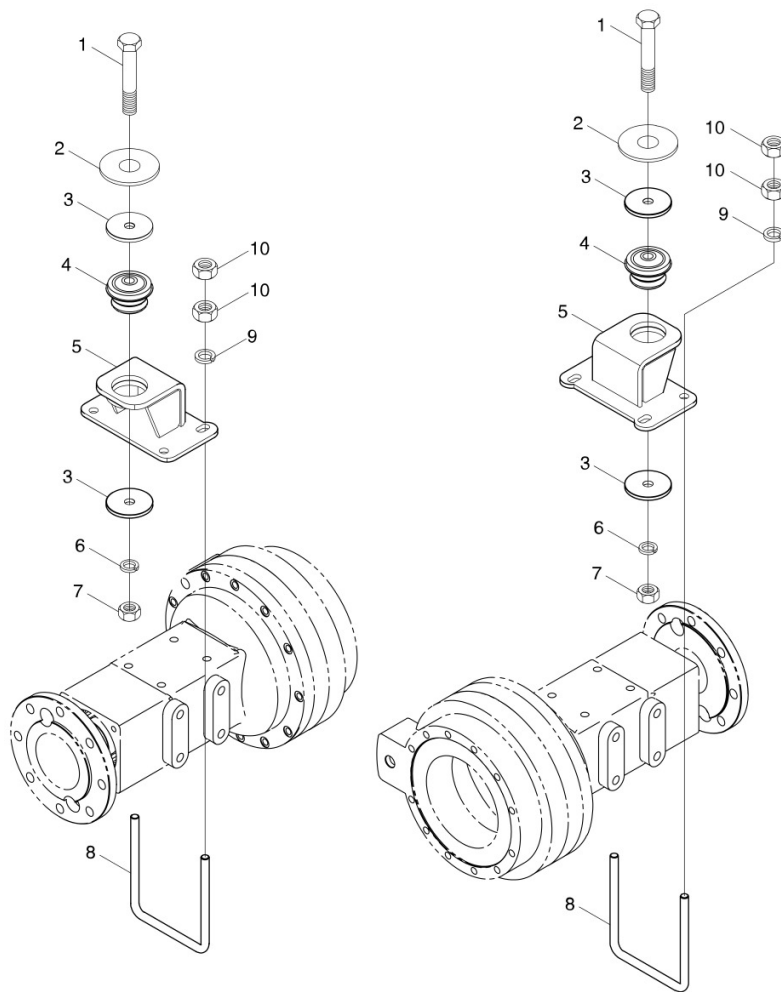
ARBOS

**3055
PROTEZIONI CABINA**

POS	COD	Q.TÀ	DESCRIZIONE	ASSEMBLY NUMBER RANGE
1	L0005850	1	Heat insulation assembly	

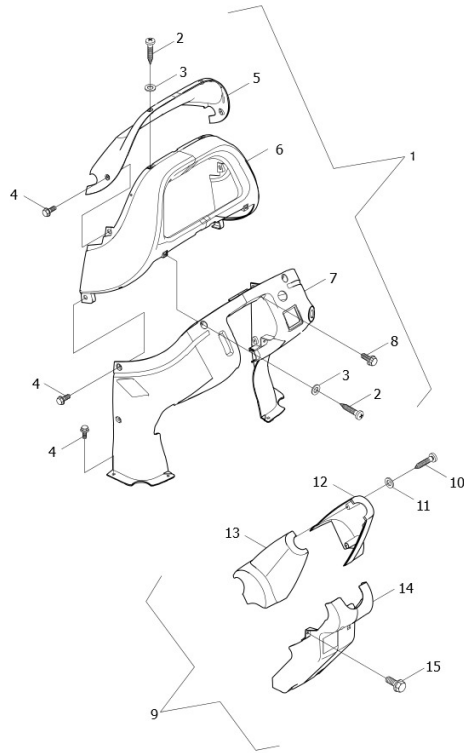


POS	COD	Q.TÀ	DESCRIZIONE	ASSEMBLY NUMBER RANGE
1	L0003264	2	HEXAGON BOLT	
2	L0003524	2	BIG WASHER	
3	L0002682	4	RETAINER RING	
4	L0002073	2	BLOCCO DI ASSORBIMENTO	
5	L0004518	1	RIGHT FRONT CONNECTION WELDMENT	
6	L0003253	10	HEXAGON BOLT	
7	L0002219	10	RONDELLA	
8	L0003535	10	PLAIN WASHER	
9	L0003509	2	STANDARD SPRING WASHER	
10	L0003312	2	HEXAGON NUT, TYPE-1	
11	L0004517	1	LEFT FRONT CONNECTION WELDMENT	



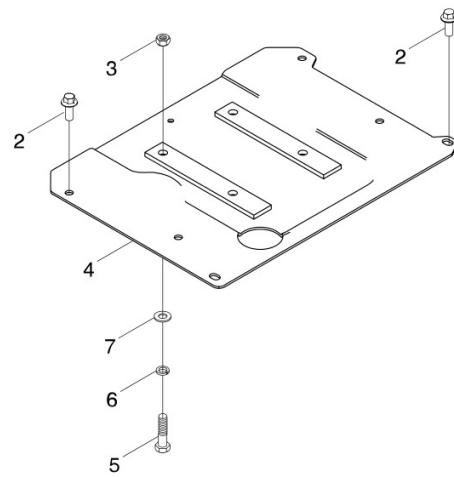
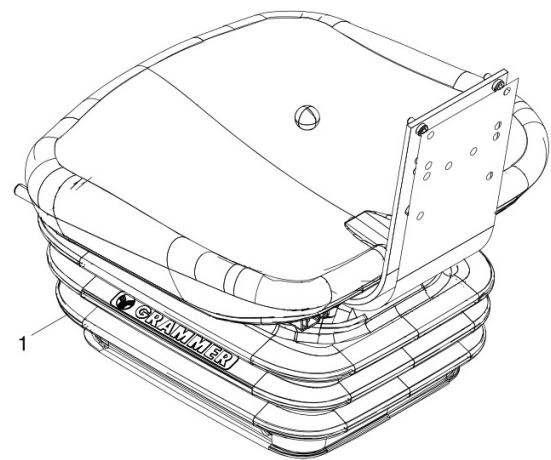


POS	COD	Q.TÀ	DESCRIZIONE	ASSEMBLY NUMBER RANGE
1	L0002527	2	HEXAGON HEAD BOLT	
2	L0003524	2	BIG WASHER	
3	L0002682	4	RETAINER RING	
4	L0002073	2	BLOCCO DI ASSORBIMENTO	
5	L0002886	2	REAR CONNECTION WELDMENT	
6	L0003509	2	STANDARD SPRING WASHER	
7	L0003312	2	HEXAGON NUT, TYPE-1	
8	L0002666	4	U-BOLT	
9	L0003537	8	FLAT WASHER	
10	L0003311	16	HEXAGON NUT, STYLE 1	





POS	COD	Q.TÀ	DESCRIZIONE	ASSEMBLY NUMBER RANGE
1	L0002907	1	DASHBOARD BOX	
2	L0003402	4	SCREW	
3	L0003549	4	FLAT WASHER	
4	L0003124	4	HEXAGON FLANGE NUT	
5	L0002757	1	UPPER COVER	
6	L0002835	1	DASHBOARD MIDDLE COVER	
7	L0002867	1	LOWER COVER	
8	L0003296	4	HEXAGON FLANGE NUT	
9	L0004514	1	STEERING GEAR HOUSING	
10	L0003402	2	SCREW	
11	L0003549	2	FLAT WASHER	
12	L0002691	1	STEERING GEAR RIGHT COVER PLATE	
13	L0002690	1	STEERING GEAR LEFT COVER PLATE	
14	L0002774	1	STEERING GEAR LOW COVER PLATE	
15	L0003125	4	HEXAGON FLANGE NUT	

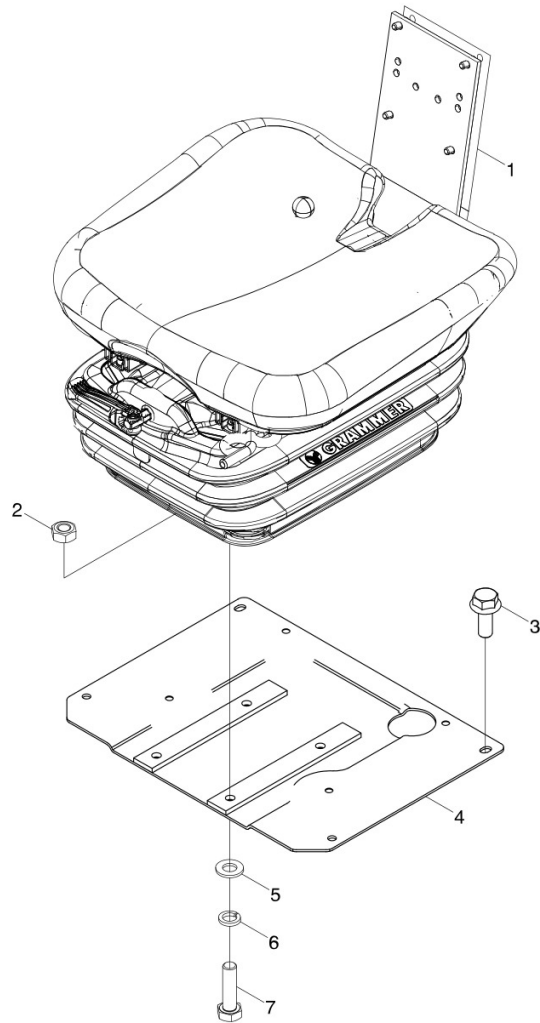




ARBOS

**3055
SEDILE**

POS	COD	Q.TÀ	DESCRIZIONE	ASSEMBLY NUMBER RANGE
1	L0002966	1	SEAT ASSEMBLY	
2	L0003301	4	HEXAGON FLANGE BOLT	
3	L0003320	4	HEXAGON NUT, TYPE-1	
4	L0003727	1	SEAT INSTALLATION PLATE WELDMENT	
5	L0003276	4	HEXAGON BOLT	
6	L0002122	4	RONDELLA STANDARD	
7	L0003551	4	FLAT WASHER	

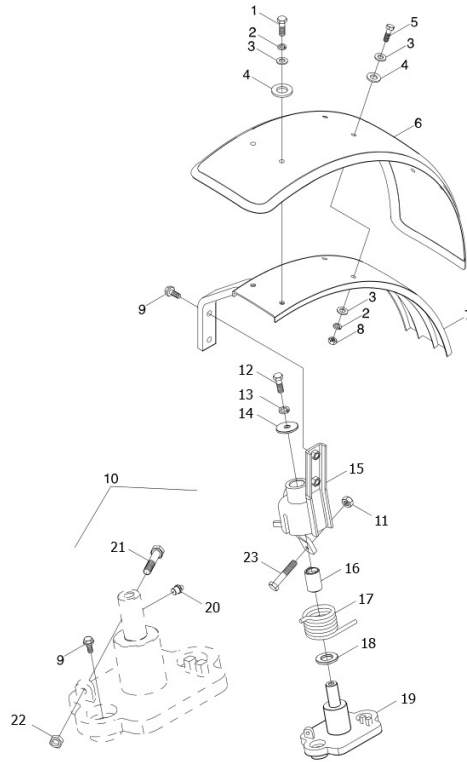




ARBOS

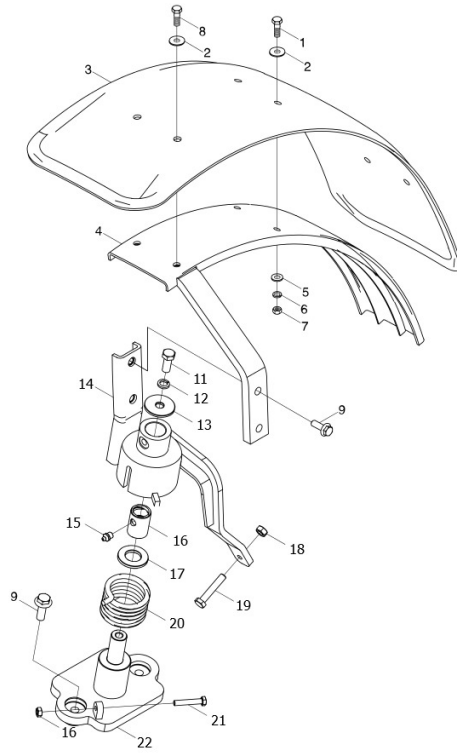
**3055
SEDILE**

POS	COD	Q.TÀ	DESCRIZIONE	ASSEMBLY NUMBER RANGE
1	L0002967	1	SEAT ASSEMBLY	
2	L0003320	4	HEXAGON NUT, TYPE-1	
3	L0003301	4	HEXAGON FLANGE BOLT	
4	L0003726	1	SEAT INSTALLATION PLATE WELDMENT	
5	L0003551	4	FLAT WASHER	
6	L0002122	4	RONDELLA STANDARD	
7	L0002122	4	RONDELLA STANDARD	



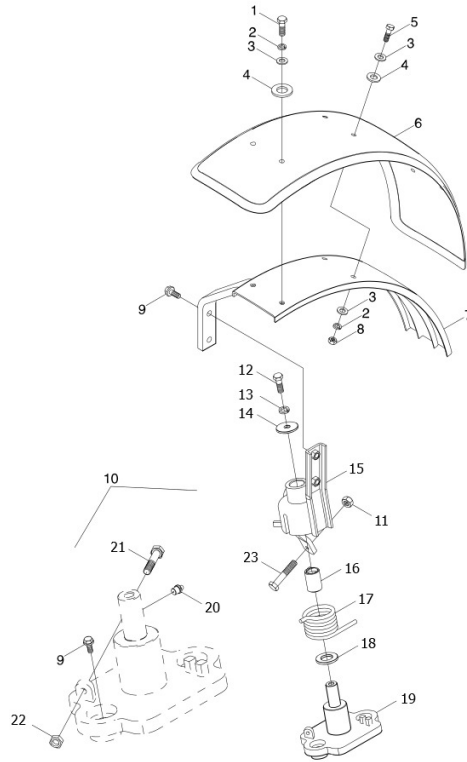
**ARBOS****3055
PARAFANGO ANTERIORE SX**

POS	COD	Q.TÀ	DESCRIZIONE	ASSEMBLY NUMBER RANGE
1	L0003244	2	HEXAGON BOLT	
2	L0003505	6	STANDARD SPRING WASHER	
3	L0003522	6	BIG WASHER	
4	L0003534	4	FLAT WASHER	
5	L0003243	4	OUTPUT SHAFT	
6	L0003743	1	LEFT FRONT MUD GUARD	
7	L0002105	1	Upper Bracket Weldment	
8	L0003307	4	HEXAGON NUT, TYPE-1	
9	L0003292	4	HEXAGON FLANGE NUT	
10	L0003742	1	LOWER BRACKET ASSEMBLY OF LEFT FENDER	
11	L0003307	1	HEXAGON NUT, TYPE-1	
12	L0003251	1	HEXAGON BOLT	
13	L0003506	1	STANDARD SPRING WASHER	
14	L0002793	1	WASHER 2	
15	L0002931	1	LOWER BRACKET WELDMENT	
16	L0002632	1	SLEEVE	
17	L0002484	1	LEFT TORQUE SPRING	
18	L0002517	1	WASHER	
19	L0002890	1	LEFT INSTALLATION PLATE WELDMENT	
20	L0003570	1	OIL CUP	
21	L0003279	1	HEXAGON BOLT	
22	L0003320	1	HEXAGON NUT, TYPE-1	
23	L0003247	1	HEXAGON BOLT	



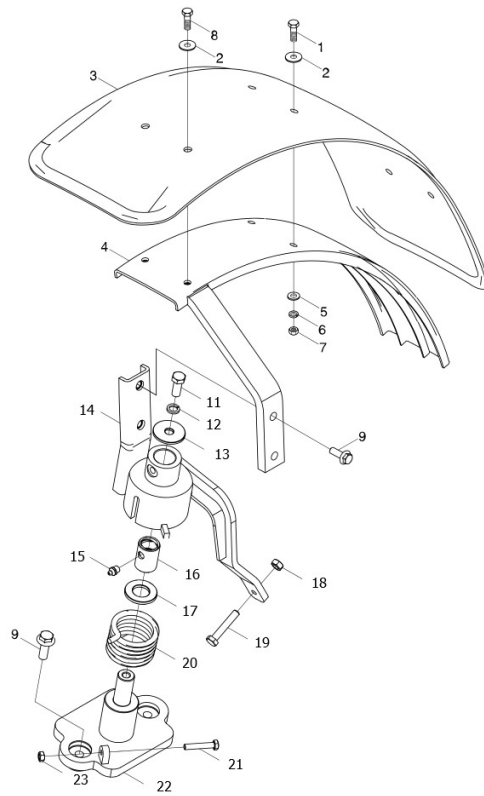


POS	COD	Q.TÀ	DESCRIZIONE	ASSEMBLY NUMBER RANGE
1	L0003243	4	OUTPUT SHAFT	
2	L0003522	6	BIG WASHER	
3	L0003745	1	RIGHT FRONT MUD GUARD	
4	L0002106	1	Upper Bracket Weldment	
5	L0003534	4	FLAT WASHER	
6	L0003505	6	STANDARD SPRING WASHER	
7	L0003307	4	HEXAGON NUT, TYPE-1	
8	L0003244	2	HEXAGON BOLT	
9	L0003292	4	HEXAGON FLANGE NUT	
10	NFS	1	NON FORNITO SEPARATAMENTE	
11	L0003251	1	HEXAGON BOLT	
12	L0003506	1	STANDARD SPRING WASHER	
13	L0002793	1	WASHER 2	
14	L0002932	1	LOWER BRACKET WELDMENT	
15	L0003570	1	OIL CUP	
16	L0002632	1	SLEEVE	
17	L0002517	1	WASHER	
18	L0003307	1	HEXAGON NUT, TYPE-1	
19	L0003247	1	HEXAGON BOLT	
20	L0002482	1	RIGHT TORSION SPRING	
21	L0003279	1	HEXAGON BOLT	
22	L0002891	1	RIGHT INSTALLATION PLATE WELDMENT	
23	L0003320	1	HEXAGON NUT, TYPE-1	



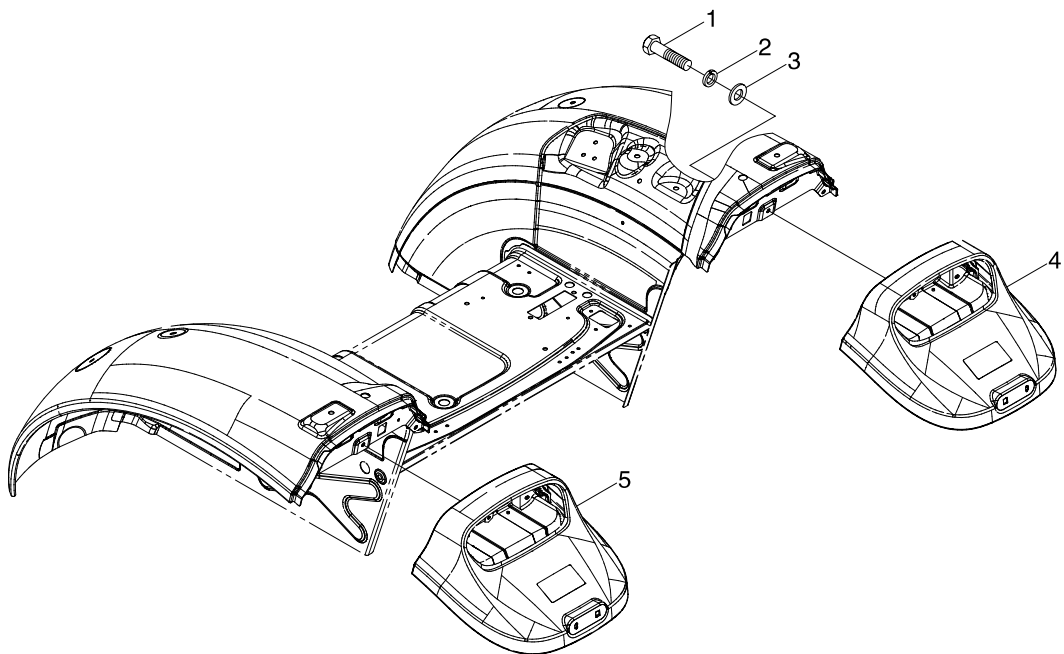
**ARBOS****3055
PARAFANGO ANTERIORE SX**

POS	COD	Q.TÀ	DESCRIZIONE	ASSEMBLY NUMBER RANGE
1	L0003244	2	HEXAGON BOLT	
2	L0003505	6	STANDARD SPRING WASHER	
3	L0003522	6	BIG WASHER	
4	L0003534	4	FLAT WASHER	
5	L0003243	4	OUTPUT SHAFT	
6	L0003743	1	LEFT FRONT MUD GUARD	
7	L0002105	1	Upper Bracket Weldment	
8	L0003307	4	HEXAGON NUT, TYPE-1	
9	L0003292	4	HEXAGON FLANGE NUT	
10	L0003742	1	LOWER BRACKET ASSEMBLY OF LEFT FENDER	
11	L0003307	1	HEXAGON NUT, TYPE-1	
12	L0003251	1	HEXAGON BOLT	
13	L0003506	1	STANDARD SPRING WASHER	
14	L0002793	1	WASHER 2	
15	L0002931	1	LOWER BRACKET WELDMENT	
16	L0002632	1	SLEEVE	
17	L0002484	1	LEFT TORQUE SPRING	
18	L0002517	1	WASHER	
19	L0002890	1	LEFT INSTALLATION PLATE WELDMENT	
20	L0003570	1	OIL CUP	
21	L0003279	1	HEXAGON BOLT	
22	L0003320	1	HEXAGON NUT, TYPE-1	
23	L0003247	1	HEXAGON BOLT	





POS	COD	Q.TÀ	DESCRIZIONE	ASSEMBLY NUMBER RANGE
1	L0003243	4	OUTPUT SHAFT	
2	L0003522	6	BIG WASHER	
3	L0003745	1	RIGHT FRONT MUD GUARD	
4	L0002106	1	Upper Bracket Weldment	
5	L0003534	4	FLAT WASHER	
6	L0003505	6	STANDARD SPRING WASHER	
7	L0003307	4	HEXAGON NUT, TYPE-1	
8	L0003244	2	HEXAGON BOLT	
9	L0003292	4	HEXAGON FLANGE NUT	
10	NFS	1	NON FORNITO SEPARATAMENTE	
11	L0003251	1	HEXAGON BOLT	
12	L0003506	1	STANDARD SPRING WASHER	
13	L0002793	1	WASHER 2	
14	L0002932	1	LOWER BRACKET WELDMENT	
15	L0003570	1	OIL CUP	
16	L0002632	1	SLEEVE	
17	L0002517	1	WASHER	
18	L0003307	1	HEXAGON NUT, TYPE-1	
19	L0003247	1	HEXAGON BOLT	
20	L0002482	1	RIGHT TORSION SPRING	
21	L0003279	1	HEXAGON BOLT	
22	L0002891	1	RIGHT INSTALLATION PLATE WELDMENT	
23	L0003320	1	HEXAGON NUT, TYPE-1	

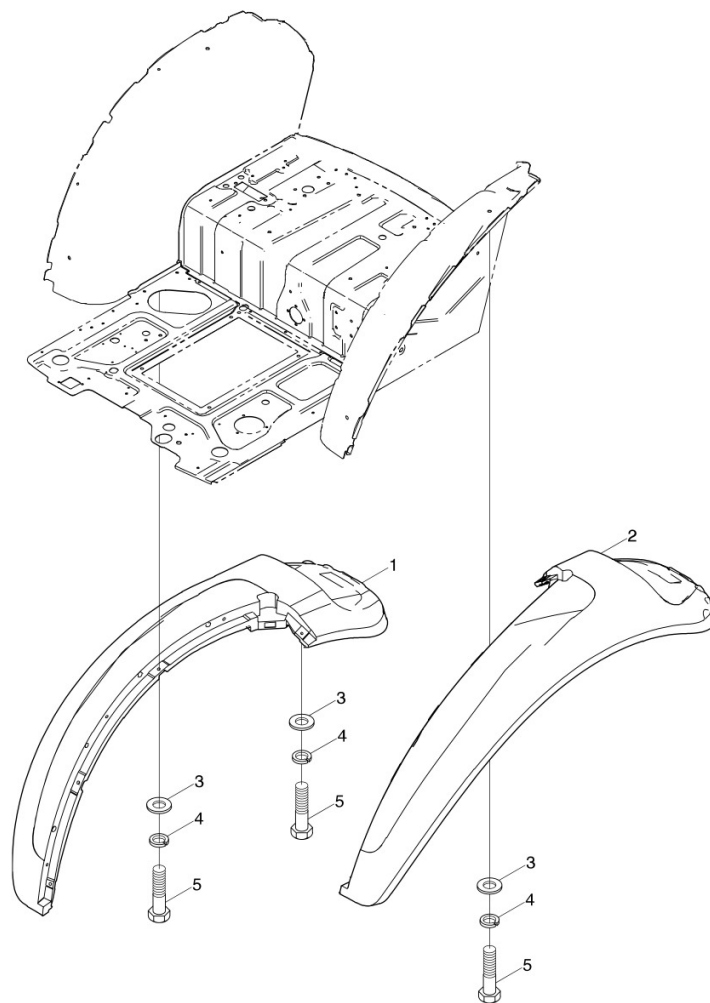




ARBOS

**3055
PARAFANGHI POSTERIORI**

POS	COD	Q.TÀ	DESCRIZIONE	ASSEMBLY NUMBER RANGE
1	L0003049	10	HEXAGON HEAD BOLT	
2	L0003078	10	STANDARD SPRING WASHER	
3	L0003086	10	PLAIN WASHER	
4	L0002911	1	RIGHT REAR MUDGUARD TRIMMING ASSEMBLY	
5	L0002910	1	LEFT REAR MUDGUARD TRIMMING ASSEMBLY	

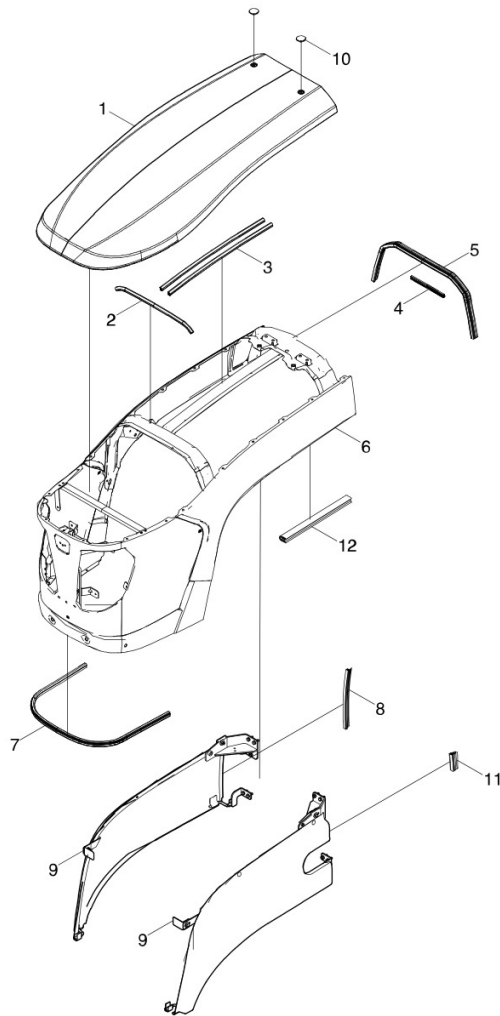




ARBOS

**3055
PARAFANGHI POSTERIORI**

POS	COD	Q.TÀ	DESCRIZIONE	ASSEMBLY NUMBER RANGE
1	L0002948	1	RIGHT REAR MUDGUARD TRIMMING ASSEMBLY	
2	L0002947	1	LEFT REAR MUDGUARD TRIMMING ASSEMBLY	
3	L0003527	12	WASHER	
4	L0003516	12	STANDARD SPRING WASHER	
5	L0003269	12	HEXAGON HEAD BOLT	

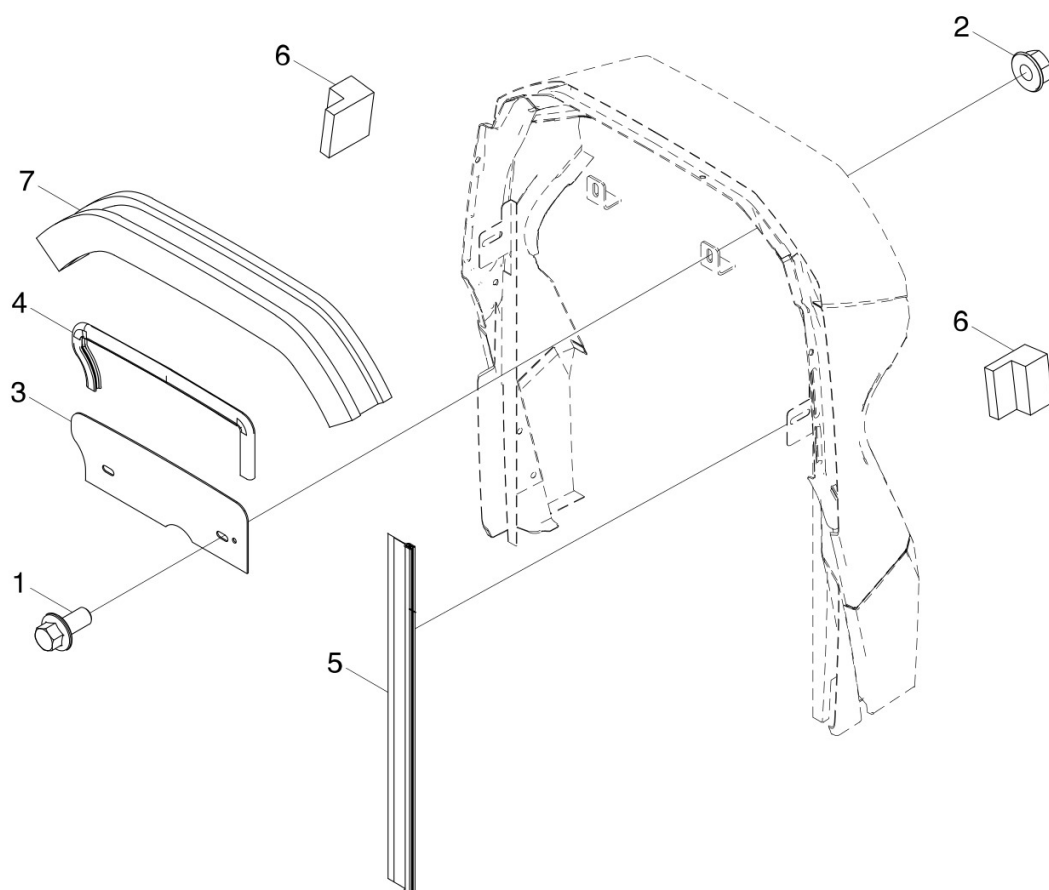




ARBOS

**3055
COFANO**

POS	COD	Q.TÀ	DESCRIZIONE	ASSEMBLY NUMBER RANGE
1	L0002921	1	BONNET UP COVER PLATE	
2	L0002568	1	FRONT SHOCK WASHER	
3	L0002594	2	MIDDLE SHOCK WASHER	
4	L0002429	1	BACK SHOCK RUBBER STRIP	
5	L0002646	1	BONNET REAR SEAL STRIP	
6	L0003737	1	BONNET WELDMENT ASSEMBLY	
7	L0003736	1	FRONT LOWER CUSHION RUBBER PIECE	
8	L0002596	1	RIGHT REAR SEAL STRIP	
9	L0002940	1	LOWER SIDE PLATE	
10	L0002387	2	RUBBER PLUG	
11	L0004521	1	LEFT REAR SEAL STRIP	
12	L0004522	1	PROTECTION STRIP	

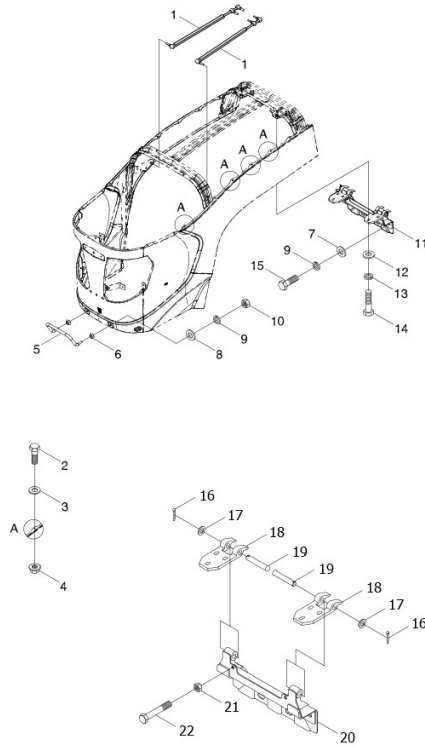




ARBOS

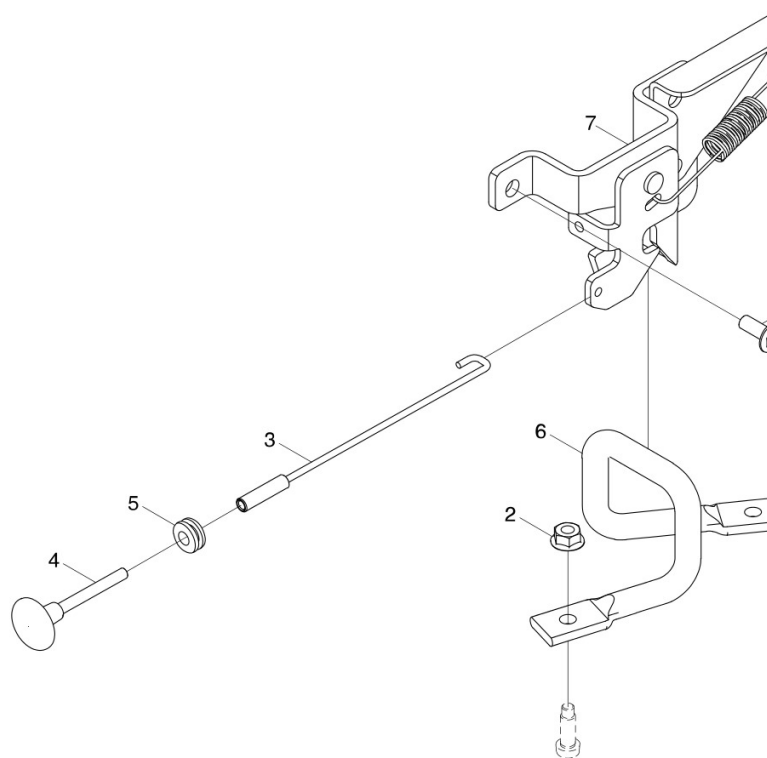
3055
SUPPORTI POSTERIORI COFANO

POS	COD	Q.TÀ	DESCRIZIONE	ASSEMBLY NUMBER RANGE
1	L0003131	2	HEXAGON FLANGE NUT	
2	L0003348	2	HEXAGON FLANGE NUT	
3	L0003740	1	SEAL SPACER PLATE	
4	L0003741	1	SEAL STRIP	
5	L0004526	2	SEAL STRIP	
6	L0002489	2	SEAL COTTON	
7	L0002798	1	UP SEAL COTTON	





POS	COD	Q.TÀ	DESCRIZIONE	ASSEMBLY NUMBER RANGE
1	L0002147	2	PISTONCINO APERTURA COFANO	
2	L0003268	18	HEXAGON BOLT	
3	L0003548	18	FLAT WASHER	
4	L0003346	18	HEXAGON FLANGE NUT	
5	L0002247	1	FRONT HANDLE	
6	L0002396	2	WASHER	
7	L0003523	3	BIG WASHER	
8	L0003536	2	FLAT WASHER	
9	L0003506	5	STANDARD SPRING WASHER	
10	L0003310	2	NUT	
11	L0004523	1	BONNET HINGE ASSEMBLY	
12	L0003522	6	BIG WASHER	
13	L0003505	6	STANDARD SPRING WASHER	
14	L0003244	6	HEXAGON BOLT	
15	L0003254	3	BOLT	
16	L0003497	2	SPLIT PIN	
17	L0003539	2	FLAT WASHER	
18	L0002782	2	HINGE UPPER SEAT	
19	L0002232	2	PIN SHAFT	
20	L0002874	1	BONNET LOW BRACKET WELDMENT	
21	L0003320	2	HEXAGON NUT, TYPE-1	
22	L0003280	2	HEXAGON BOLT	

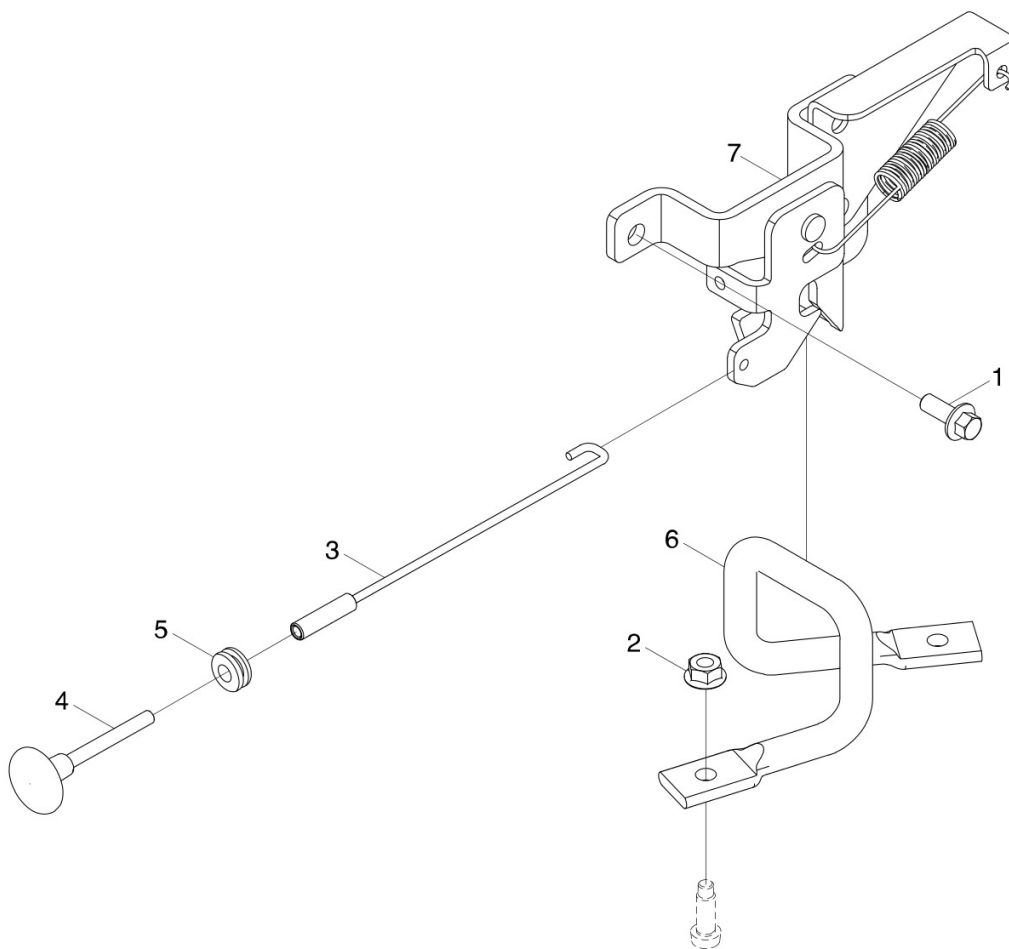




ARBOS

**3055
SERRATURA COFANO**

POS	COD	Q.TÀ	DESCRIZIONE	ASSEMBLY NUMBER RANGE
1	L0003133	3	HEXAGON FLANGE BOLT	
2	L0003348	2	HEXAGON FLANGE NUT	
3	L0003738	1	PULL ROD WELDMENT	
4	L0003739	1	TERMINAL ROD	
5	L0002165	1	ANELLO DI GOMMA	
6	L0004525	1	BONNET LOCK COLUMN	
7	L0002130	1	BLOCCO COFANO	

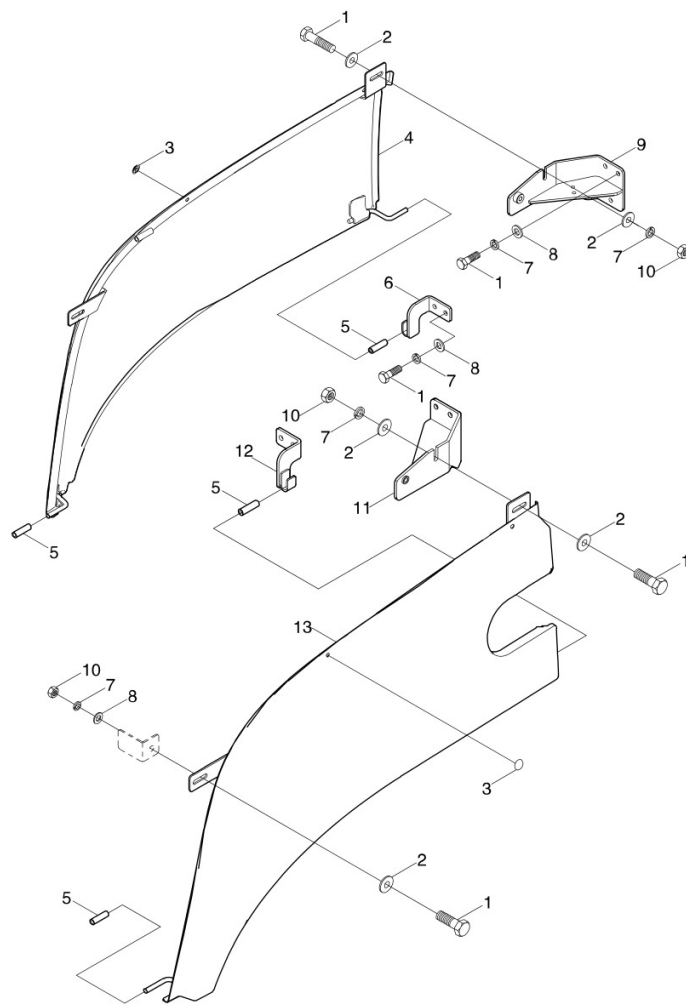




ARBOS

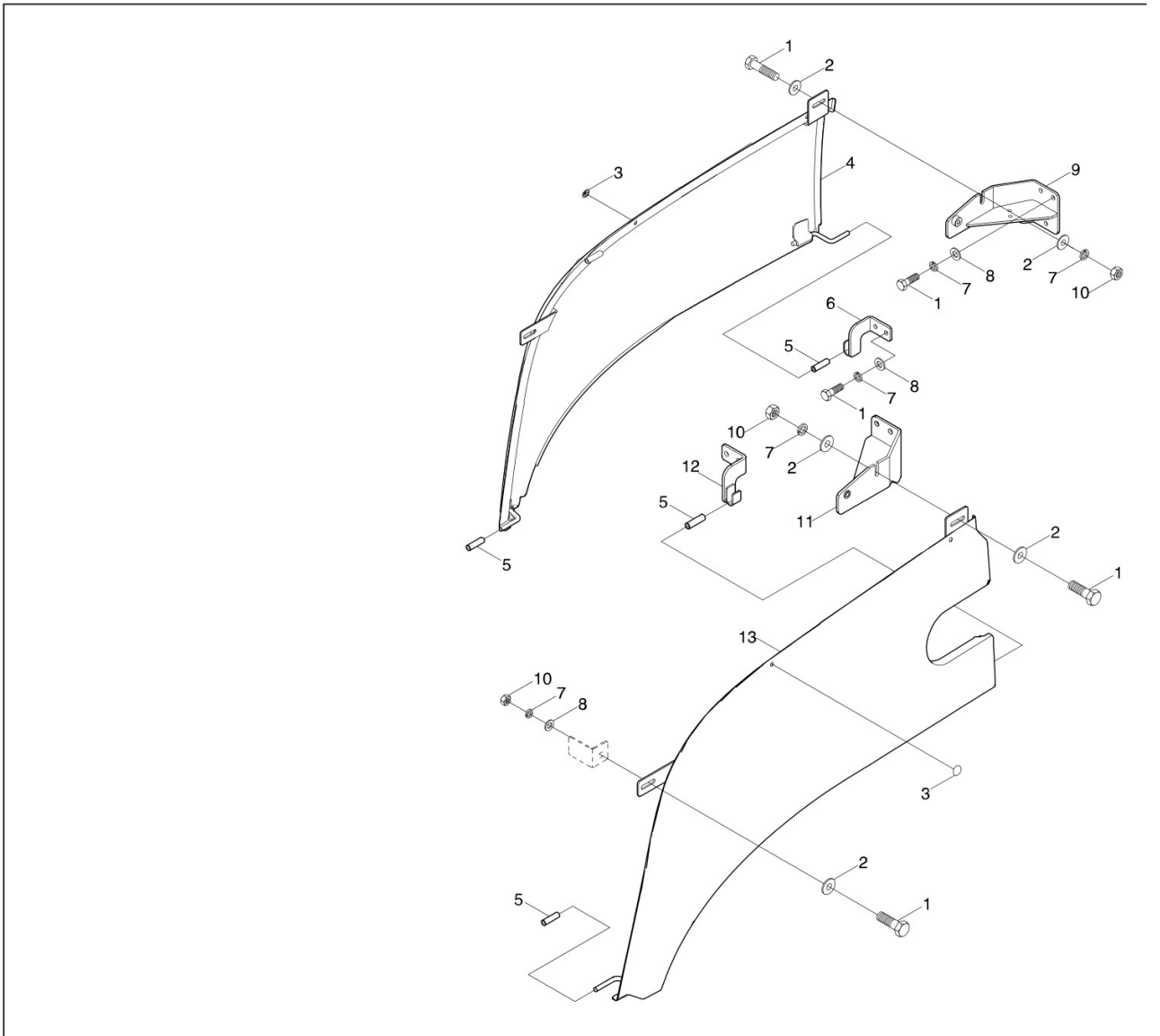
**3055
SERRATURA COFANO**

POS	COD	Q.TÀ	DESCRIZIONE	ASSEMBLY NUMBER RANGE
1	L0003133	3	HEXAGON FLANGE BOLT	
2	L0003348	2	HEXAGON FLANGE NUT	
3	L0003738	1	PULL ROD WELDMENT	
4	L0003739	1	TERMINAL ROD	
5	L0002165	1	ANELLO DI GOMMA	
6	L0004525	1	BONNET LOCK COLUMN	
7	L0002130	1	BLOCCO COFANO	



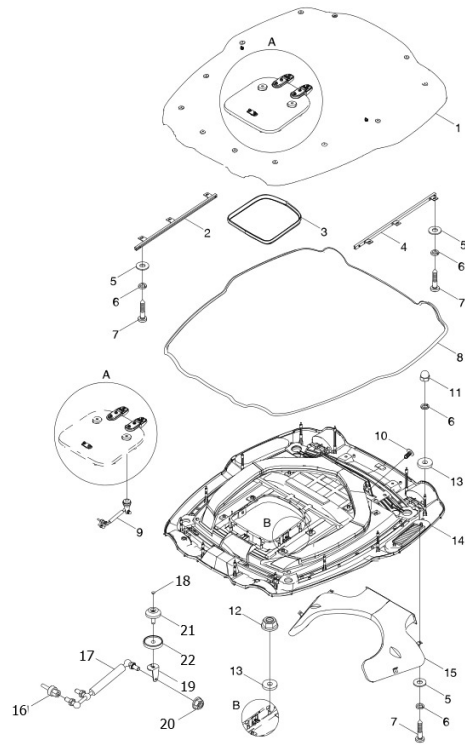


POS	COD	Q.TÀ	DESCRIZIONE	ASSEMBLY NUMBER RANGE
	L0002940	1	LOWER SIDE PLATE	
1	L0003275	14	HEXAGON BOLT	
2	L0003531	6	BIG WASHER	
3	L0002372	4	TECHNOLOGICAL HOLE PLUG	
4	L0004524	1	RIGHT LOWER SIDE PLATE WELDMENT	
5	L0002406	4	RUBBER SLEEVE	
6	L0002610	1	RIGHT REAR LOWER FIXING SEAT WELDMENT	
7	L0003550	12	FLAT WASHER	
8	L0003517	14	STANDARD SPRING WASHER	
9	L0002764	1	RIGHT REAR UPPER FIXING SEAT WELDMENT	
10	L0003320	4	HEXAGON NUT, TYPE-1	
11	L0002765	1	LEFT REAR UPPER FIXING SEAT WELDMENT	
12	L0002612	1	LEFT REAR LOWER FIXING SEAT WELDMENT	
13	L0002162	1	COFANO 504 - PLASTICA LAT. DX	



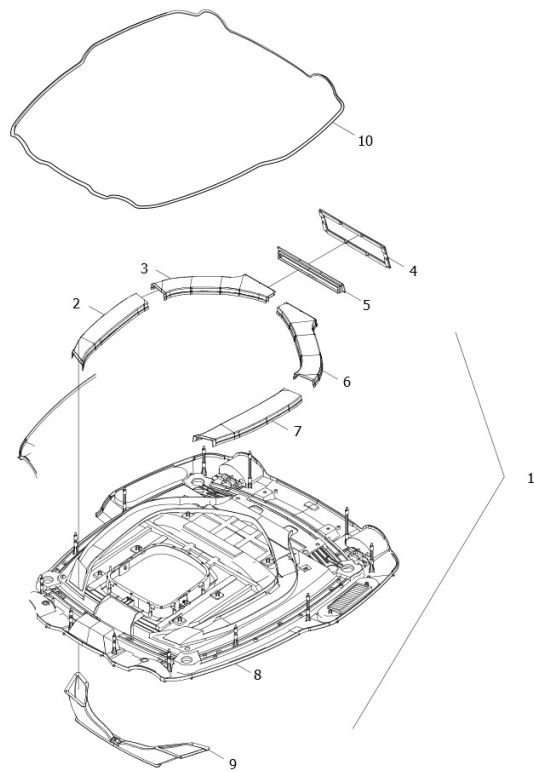


POS	COD	Q.TÀ	DESCRIZIONE	ASSEMBLY NUMBER RANGE
1	L0003275	14	HEXAGON BOLT	
2	L0003531	6	BIG WASHER	
3	L0002372	4	TECHNOLOGICAL HOLE PLUG	
4	L0004524	1	RIGHT LOWER SIDE PLATE WELDMENT	
5	L0002406	4	RUBBER SLEEVE	
6	L0002610	1	RIGHT REAR LOWER FIXING SEAT WELDMENT	
7	L0003550	12	FLAT WASHER	
8	L0003517	14	STANDARD SPRING WASHER	
9	L0002764	1	RIGHT REAR UPPER FIXING SEAT WELDMENT	
10	L0003320	4	HEXAGON NUT, TYPE-1	
11	L0002765	1	LEFT REAR UPPER FIXING SEAT WELDMENT	
12	L0002612	1	LEFT REAR LOWER FIXING SEAT WELDMENT	
13	L0002162	1	COFANO 504 - PLASTICA LAT. DX	



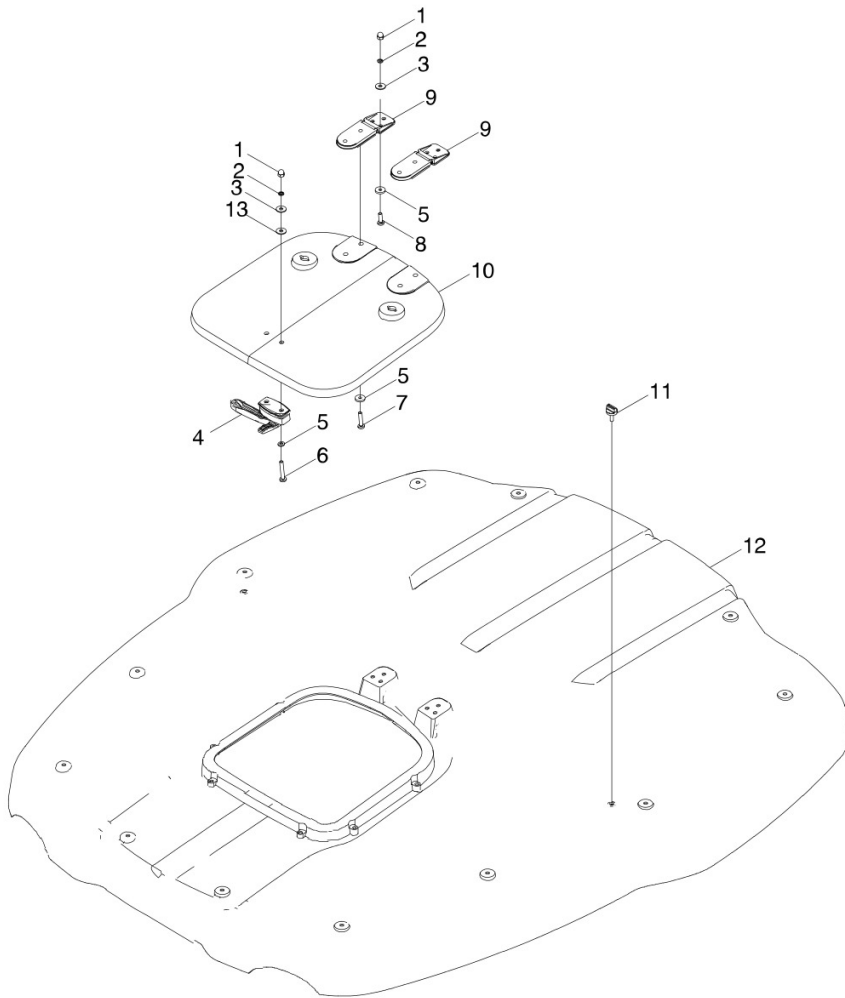


POS	COD	Q.TÀ	DESCRIZIONE	ASSEMBLY NUMBER RANGE
1	L0004513	1	OUT TOP	
2	L0004592	1	RIGHT SLIDEWAY	
3	L0002239	1	GUARNIZIONE TETTO CABINA 504	
4	L0004591	1	LEFT SLIDEWAY	
5	L0003529	18	BIG WASHER	
6	L0003515	12	STANDARD SPRING WASHER	
7	L0003124	30	HEXAGON FLANGE NUT	
8	L0004585	4	SPONGE	
9	L0002014	2	MOLLA A GAS COMPLETA	
10	L0002143	2	PLASTIC SPLIT PIN	
11	L0002363	12	NUT	
12	L0003346	6	HEXAGON FLANGE NUT	
13	L0002370	18	SEAL GASKET	
14	L0002954	1	INNER ROOF ASSEMBLY	
15	L0004507	1	LOWER WIND WAY	
16	L0002371	1	INSTALLATION SEAT	
17	L0001964	1	MOLLA A GAS	
18	L0004463	1	PLASTIC CASTING BOLT PLUG COVER	
19	L0004590	1	BRACKET	
20	L0003347	1	HEXAGON FLANGE NUT	
21	L0004462	1	CAST BOLT	
22	L0004588	1	FIXING SLEEVE OUT MAT	



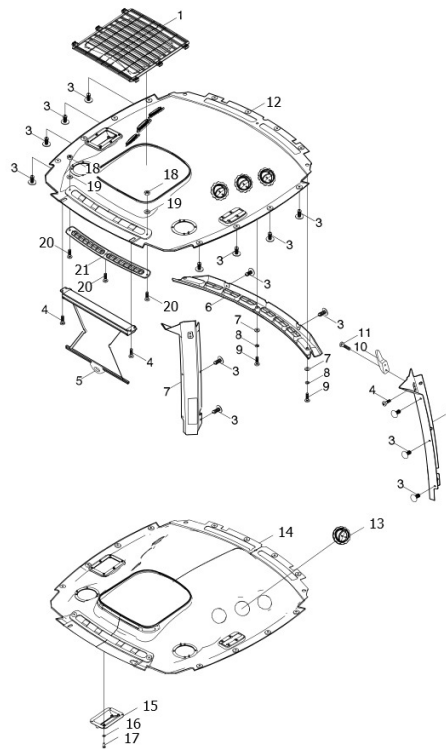


POS	COD	Q.TÀ	DESCRIZIONE	ASSEMBLY NUMBER RANGE
1	L0002960	1	INNER ROOF SUBASSEMBLY (WITH AIR CONDITIONER)	
2	L0002723	1	DEFROST WIND WAY (RIGHT FRONT)	
3	L0002724	1	DEFROST WIND WAY (RIGHT REAR)	
4	L0004587	1	WIND WAY CONNECTING PLATE WELDMENT	
5	L0002576	1	DEFROST WIND WAY IN MOUTH	
6	L0002722	1	DEFROST WIND WAY (LEFT REAR)	
7	L0002721	1	DEFROST WIND WAY (LEFT FRONT)	
8	L0004506	1	INNER ROOF (WITH AIR CONDITIONER)	
9	L0002766	1	DEFROST WIND WAY (LOWER) SUBASSEMBLY	
10	L0004508	1	TOP SEAL STRIP	



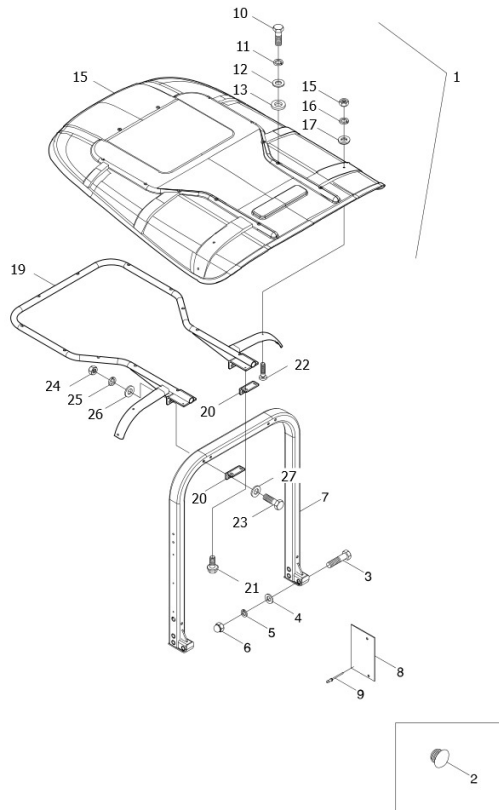


POS	COD	Q.TÀ	DESCRIZIONE	ASSEMBLY NUMBER RANGE
1	L0002363	12	NUT	
2	L0003515	12	STANDARD SPRING WASHER	
3	L0003529	12	BIG WASHER	
4	L0004502	1	OUTER ROOF SKYLIGHT HANDLE	
5	L0003548	12	FLAT WASHER	
6	L0003393	2	CROSS SCREW	
7	L0003391	4	CROSS SCREW	
8	L0003389	6	CROSS SCREW	
9	L0004503	1	OUTER ROOF SKYLIGHT OPENING HINGE CHAIN	
10	L0002885	1	OUTER ROOF SKYLIGHT BODY	
11	L0004505	2	OUTER ROOF BOLT	
12	L0004504	1	OUTER ROOF BODY	
13	L0002370	14	SEAL GASKET	



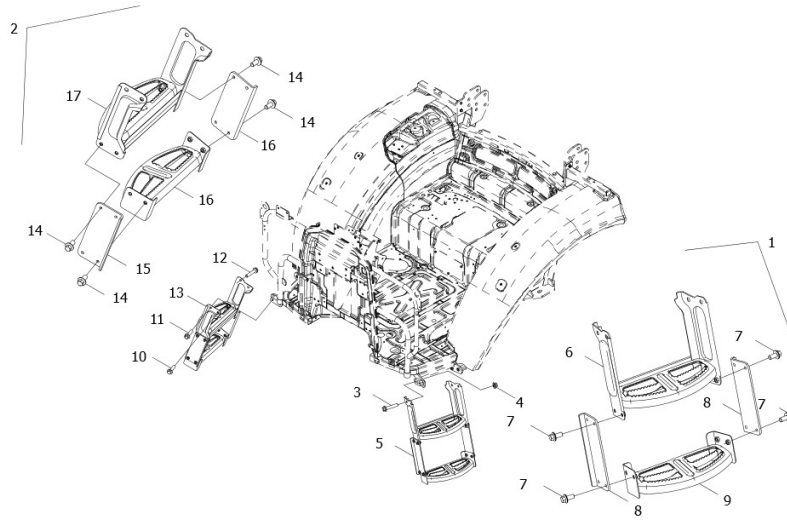


POS	COD	Q.TÀ	DESCRIZIONE	ASSEMBLY NUMBER RANGE
1	L0002133	1	TETTUCCIO 504	
2	L0004498	1	TOP UPHOLSTERY	
3	L0002143	32	PLASTIC SPLIT PIN	
4	L0003390	5	CROSS SCREW	
5	L0002884	1	SHADOW CURTAIN	
6	L0002799	1	WIND MOUTH	
7	L0002744	1	LEFT HOUSING	
8	L0002745	1	RIGHT HOUSING	
9	L0003389	3	CROSS SCREW	
10	L0002462	2	CLOTH CAP HOOK	
11	L0003383	4	CROSS SCREW	
12	L0004499	1	TOP UPHOLSTERY	
13	L0003561	6	AIR OUTLET (1)	
14	L0004501	1	ROOF UPHOLSTERY BODY	
15	L0004584	1	PLATE	
16	L0003546	4	FLAT WASHER	
17	L0003381	4	CROSS SCREW	
18	L0003319	2	HEXAGON NUT, TYPE-1	
19	L0003549	2	FLAT WASHER	
20	L0003388	3	CROSS SCREW	
21	L0004500	1	DEFROST WIND MOUTH	



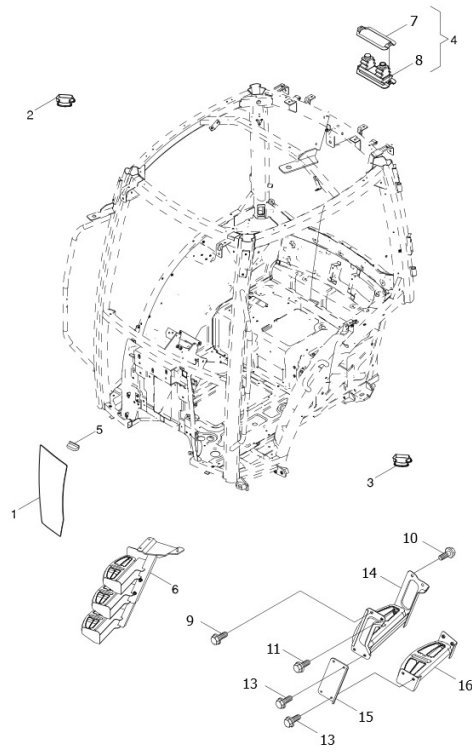
**ARBOS****3055
ROLL-BAR**

POS	COD	Q.TÀ	DESCRIZIONE	ASSEMBLY NUMBER RANGE
1	L0002962	1	SHADOW	
2	L0002094	4	Plug Cover	
3	L0002597	6	HEXAGON BOLT	
4	L0003540	6	FLAT WASHER	
5	L0003510	6	STANDARD SPRING WASHER	
6	L0002348	6	COMBINED COVER NUT	
7	L0004520	1	SAFETY FRAME WELDMENT	
8	L0003735	1	EC SIGN (SAFTY FRAME)	
9	L0003102	2	RIVET	
10	L0003270	12	HEXAGON BOLT	
11	L0002337	12	STANDARD SPRING WASHER	
12	L0003547	12	PLAIN WASHER	
13	L0003899	12	RUBBER WASHER	
14	L0002962	1	SHADOW	
15	L0003307	4	HEXAGON NUT, TYPE-1	
16	L0003504	4	WASHER	
17	L0002616	4	WASHER UNIT	
18	L0003827	1	SUNSHADE FIXED FRAME SUPPLY ASSEMBLY	
19	L0003826	1	SUNSHADE FIXED FRAME WELDMENT	
20	L0003828	2	FIXING BRACKET	
21	L0003301	4	HEXAGON FLANGE BOLT	
22	L0003375	4	CROSS SCREW	
23	L0003226	4	HEXAGON BOLT	
24	L0003309	4	HEXAGON NUT, TYPE-1	
25	L0002219	4	RONDELLA	
26	L0003523	4	BIG WASHER	
27	L0003535	4	PLAIN WASHER	



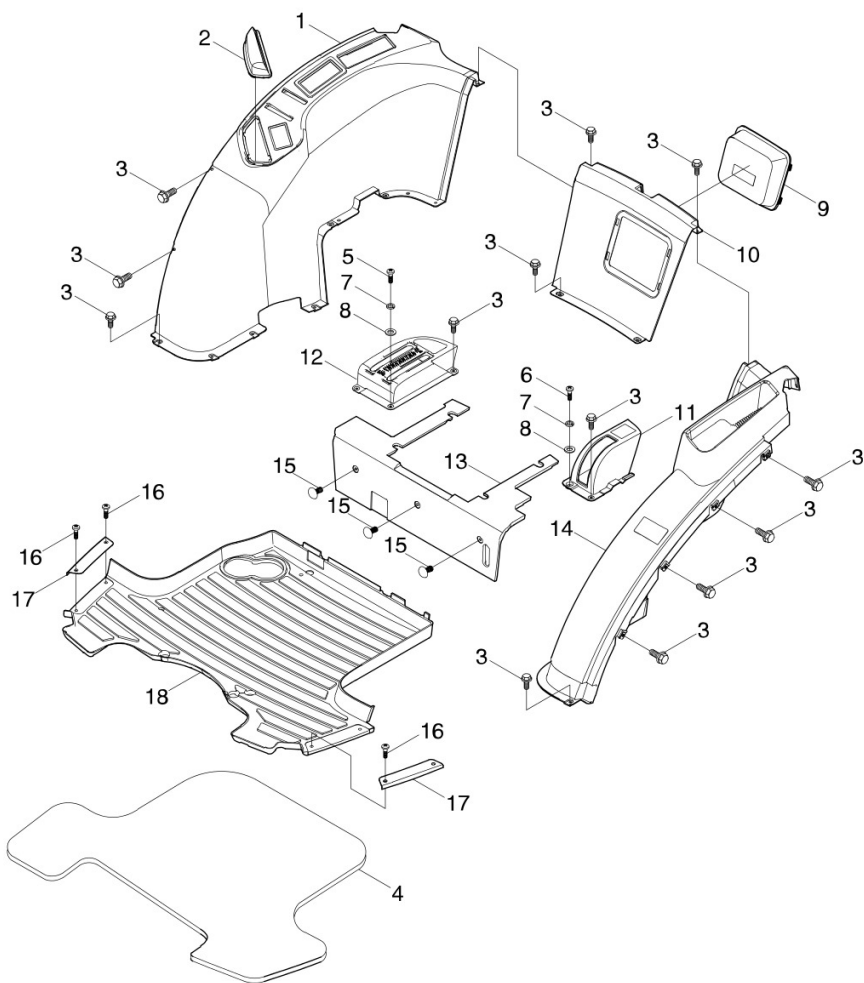


POS	COD	Q.TÀ	DESCRIZIONE	ASSEMBLY NUMBER RANGE
1	L0002256	1	LEFT LADDER	
2	L0002896	1	RIGHT STEP LADDER ASSEMBLY	
3	L0003112	4	HEXAGON FLANGE NUT	
4	L0003342	1	HEXAGON FLANGE NUT	
5	L0003819	1	STEP LADDER SUBASSEMBLY	
6	L0003817	1	LEFT STEP LADDER WELDMENT	
7	L0003131	8	HEXAGON FLANGE NUT	
8	L0003818	2	LADDER PLATE	
9	L0004470	1	PEDAL WELDMENT	
10	L0003109	1	HEXAGON FLANGE NUT	
11	L0003110	1	HEXAGON FLANGE NUT	
12	L0003112	2	HEXAGON FLANGE NUT	
13	L0002895	1	RIGHT STEP LADDER SUBASSEMBLY	
14	L0003131	8	HEXAGON FLANGE NUT	
15	L0004471	2	LADDER PLATE	
16	L0004470	1	PEDAL WELDMENT	
17	L0004472	1	RIGHT LADDER WELDMENT	



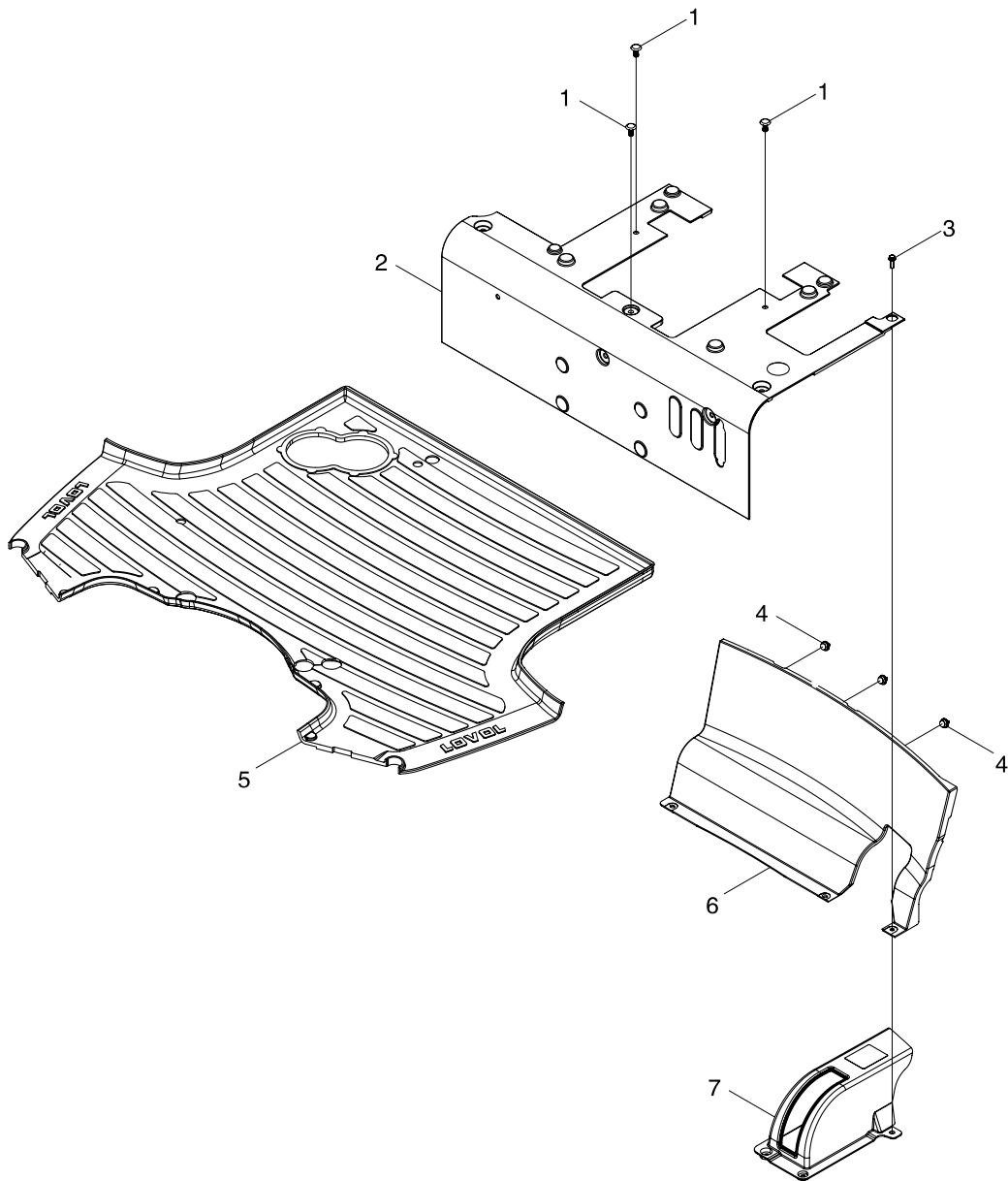


POS	COD	Q.TÀ	DESCRIZIONE	ASSEMBLY NUMBER RANGE
1	L0002823	1	RIGHT FRONT LOWER WINDOW GLASS	
2	L0004598	1	GUARD RING 2	
3	L0004597	1	GUARD RING 1	
4	L0004449	1	HANDLE BONNET	
5	L0004566	2	GLASS MOUNTINGS MAT	
6	L0002896	1	RIGHT STEP LADDER ASSEMBLY	
7	L0004451	1	BONNET PRESSURE PLATE	
8	L0004450	1	HANDLE BONNET	
9	L0003110	1	HEXAGON FLANGE NUT	
10	L0003112	2	HEXAGON FLANGE NUT	
11	L0003109	1	HEXAGON FLANGE NUT	
12	L0002895	1	RIGHT STEP LADDER SUBASSEMBLY	
13	L0003131	8	HEXAGON FLANGE NUT	
14	L0004472	1	RIGHT LADDER WELDMENT	
15	L0004471	2	LADDER PLATE	
16	L0004470	1	PEDAL WELDMENT	





POS	COD	Q.TÀ	DESCRIZIONE	ASSEMBLY NUMBER RANGE
1	L0002923	1	LEFT REAR MUD GUARD DECORATION PART	
2	L0002163	1	PROTEZIONE STRUMENTAZIONE	
3	L0003124	28	HEXAGON FLANGE NUT	
4	L0002684	1	FLOOR PAD PAPER	
5	L0003390	5	CROSS SCREW	
6	L0003392	1	CROSS SCREW	
7	L0003515	2	STANDARD SPRING WASHER	
8	L0003529	2	BIG WASHER	
9	L0002696	1	COVER	
10	L0002803	1	INTO UPHOLSTERY	
11	L0002680	1	PARKING BRAKE BONNET	
12	L0002714	1	AUXILIARY CLUTCH BONNET	
13	L0002893	1	MIDDLE FLOOR MAT	
14	L0002913	1	RIGHT REAR MUD GUARD DECORATION PART	
15	L0002143	32	PLASTIC SPLIT PIN	
16	L0003397	4	SCREW	
17	L0003733	2	FLOOR MAT PRESSURE PLATE	
18	L0002936	1	FLOOR MAT	

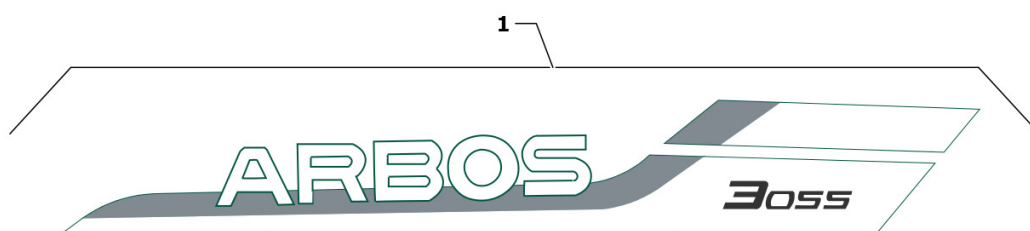




ARBOS

**3055
PEDANE**

POS	COD	Q.TÀ	DESCRIZIONE	ASSEMBLY NUMBER RANGE
1	L0002143	8	PLASTIC SPLIT PIN	
2	L0004510	1	MIDDLE FLOOR MAT	
3	L0003124	5	HEXAGON FLANGE NUT	
4	L0002343	3	PLASTIC BUCKLE BL033	
5	L0004509	1	FLOOR MAT	
6	L0004511	1	INTO UPHOLSTERY	
7	L0004512	1	PARKING BRAKE BONNET	

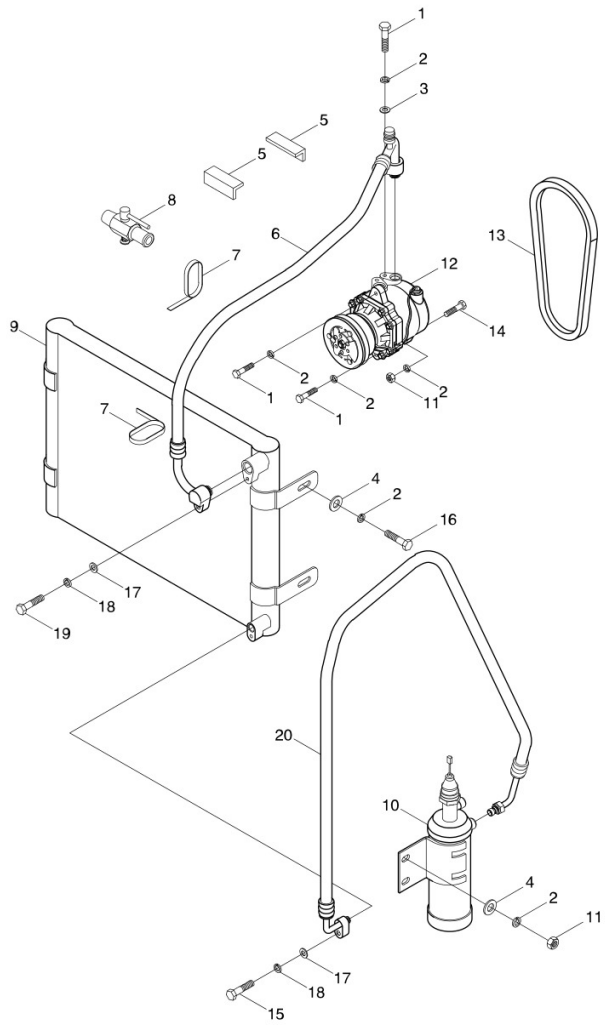




ARBOS

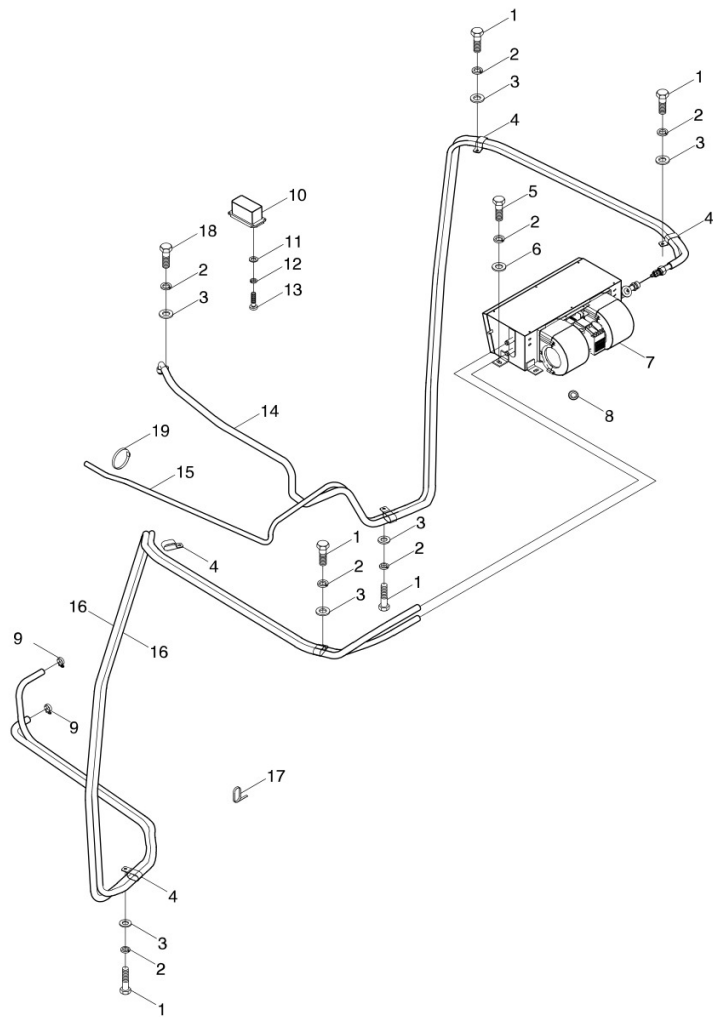
**3055
DECALCOMANIE COFANO**

POS	COD	Q.TÀ	DESCRIZIONE	ASSEMBLY NUMBER RANGE
1	L0005082	1	DECALCOMANIA SX. 3055	
2	L0005083	1	DECALCOMANIA DX. 3055	



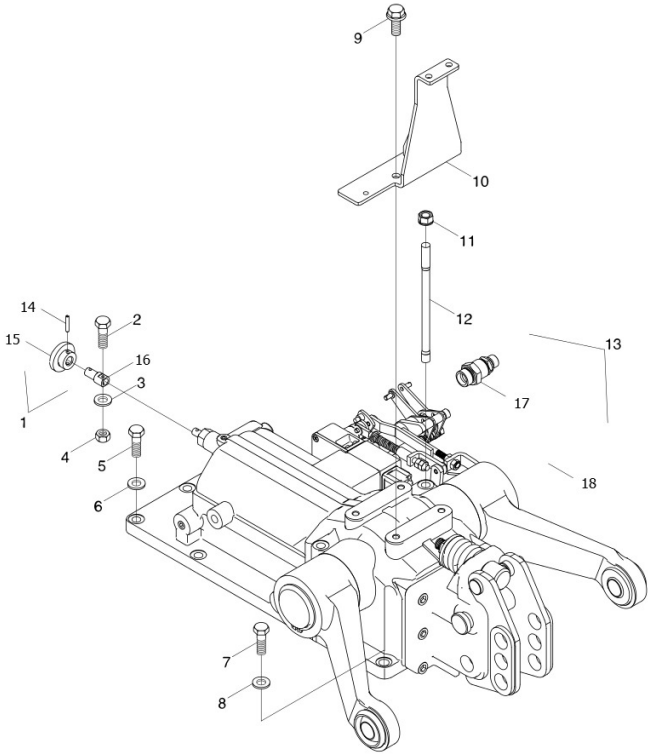


POS	COD	Q.TÀ	DESCRIZIONE	ASSEMBLY NUMBER RANGE
1	L0003276	4	HEXAGON BOLT	
2	L0003517	11	STANDARD SPRING WASHER	
3	L0003550	4	FLAT WASHER	
4	L0003531	6	BIG WASHER	
5	L0002399	2	STICKY PATCH	
6	L0002057	1	TUBO COMPRESSORE A/C	
7	L0002365	6	PLASTIC FASTENING STRIP	
8	L0002313	1	HEATER WATER INLET VALVE	
9	L0002958	1	CONDENSER ASSEMBLY	
10	L0002056	1	CONDENSATORE A/C	
11	L0003320	3	HEXAGON NUT, TYPE-1	
12	L0001931	1	COMPRESSORE	
13	L0002036	1	CINGHIA COMPRESSORE A/C	
14	L0003278	1	HEXAGON HEAD BOLT	
15	L0003270	1	HEXAGON BOLT	
16	L0003273	4	HEXAGON BOLT	
17	L0003547	2	PLAIN WASHER	
18	L0002337	2	STANDARD SPRING WASHER	
19	L0003271	1	HEXAGON HEAD BOLT	
20	L0002058	1	TUBO CONDENSATORE A/C	



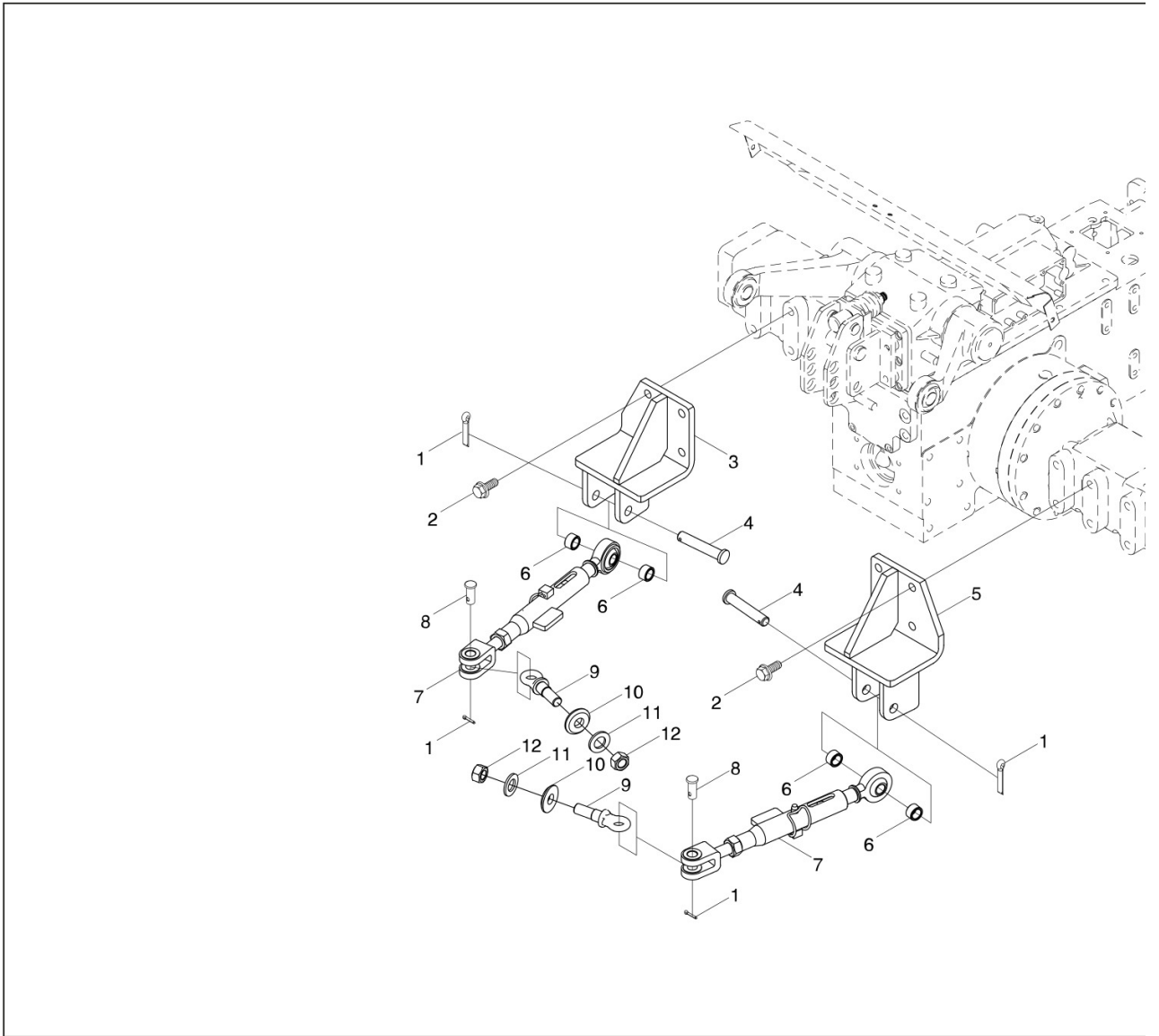


POS	COD	Q.TÀ	DESCRIZIONE	ASSEMBLY NUMBER RANGE
1	L0003273	4	HEXAGON BOLT	
2	L0002122	11	RONDELLA STANDARD	
3	L0003551	7	FLAT WASHER	
4	L0002466	6	LOCKING CLAMP	
5	L0003275	6	HEXAGON BOLT	
6	L0003532	4	BIG WASHER	
7	L0001932	1	EVAPORATORE	
8	L0002380	4	SHIELD RING	
9	L0002537	4	C-TYPE WORM TRANSMISSION HOSE CLAMP	
10	L0002015	1	CABLAGGIO PANNELLO CONTROLLO	
11	L0003546	4	FLAT WASHER	
12	L0003513	4	STANDARD SPRING WASHER	
13	L0003381	4	CROSS SCREW	
14	L0004556	1	PIPE	
15	L0002912	1	PIPE	
16	L0004555	2	WARM AIR WATER PIPE	
17	L0002365	11	PLASTIC FASTENING STRIP	
18	L0003276	1	HEXAGON BOLT	
19	L0002349	1	PLASTIC FASTENING STRIP	



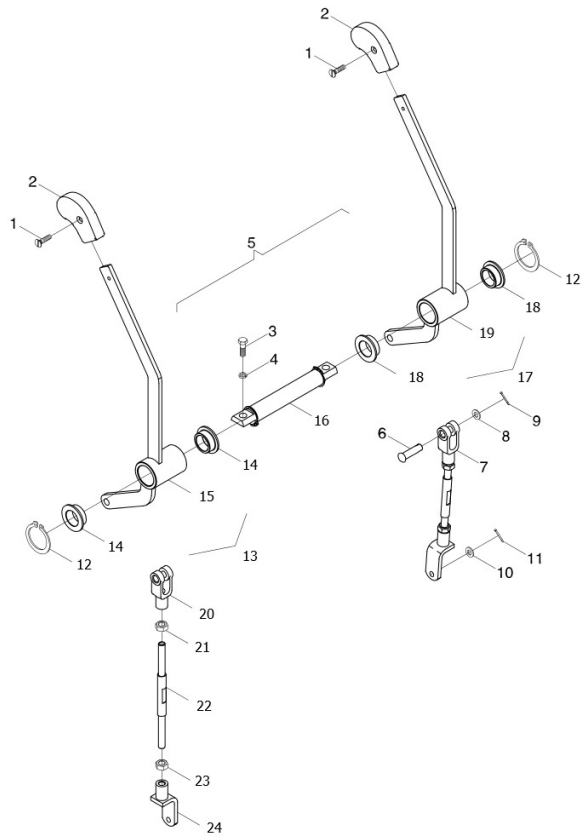


POS	COD	Q.TÀ	DESCRIZIONE	ASSEMBLY NUMBER RANGE
1	L0003811	1	DECLINE SPEED REGULATING HANDWHEEL ASSEMBLY	
2	L0003545	1	FLAT WASHER	
2	L0003265	1	HEXAGON BOLT	
4	L0003316	1	HEXAGON NUT, TYPE-1	
5	L0003255	5	HEXAGON BOLT	
6	L0002402	5	WASHER	
7	L0003259	2	HEXAGON BOLT	
8	L0003870	2	14 WASHER	
9	L0003108	2	HEXAGON FLANGE NUT	
10	L0003809	1	FIXING PLATE WELDMENT	
11	L0002416	2	HEXAGON NUT	
12	L0003482	2	DOUBLE END STUDS	
13	L0003808	1	LIFTER ASSEMBLY	
14	L0003417	1	SPRING COLUMN PIN	
15	L0003871	1	DROP ADJUSTABLE HANDWHEEL	
16	L0003812	1	DROP HANDWHEEL BAR	
17	L0003601	1	JOINT FILTER ASSEMBLY	
18	L0003810	1	LIFTER ASSEMBLY	



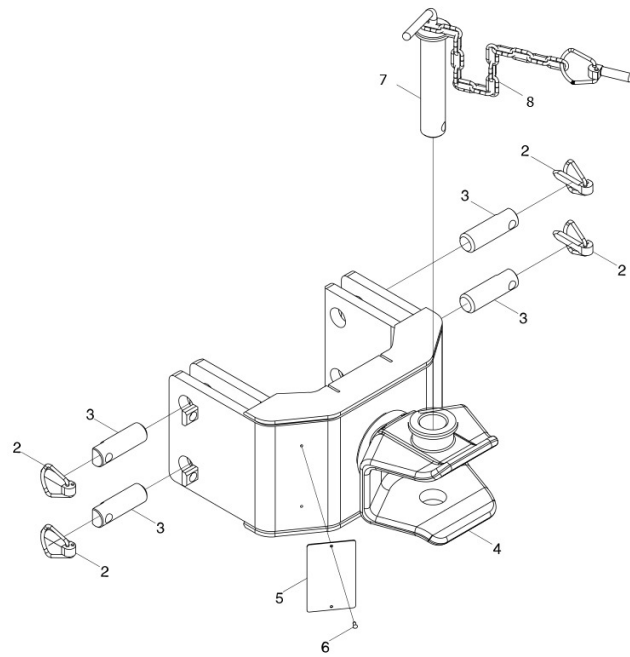


POS	COD	Q.TÀ	DESCRIZIONE	ASSEMBLY NUMBER RANGE
1	L0002598	4	SPLIT PIN	
2	L0003293	10	HEXAGON FLANGE BOLT	
3	L0003834	1	LEFT LIMITING ROD BRACKET WELDMENT	
4	L0002665	2	LIMITING ROD CONNECTING PIN	
5	L0003835	1	RIGHT LIMITING ROD BRACKET WELDMENT	
6	L0001962	4	BOCCOLA	
7	L0003832	2	LIMIT ROD ASSEMBLY	
8	L0003438	2	PIN SHAFT	
9	L0002044	2	PERNO POST. COLLEGAMENTO LEVA DI LIMITAZIONE	
10	L0002546	2	CIRCULAR PLATE	
11	L0003511	2	STANDARD SPRING WASHER	
12	L0002436	2	HEXAGON NUT TYPE-1	



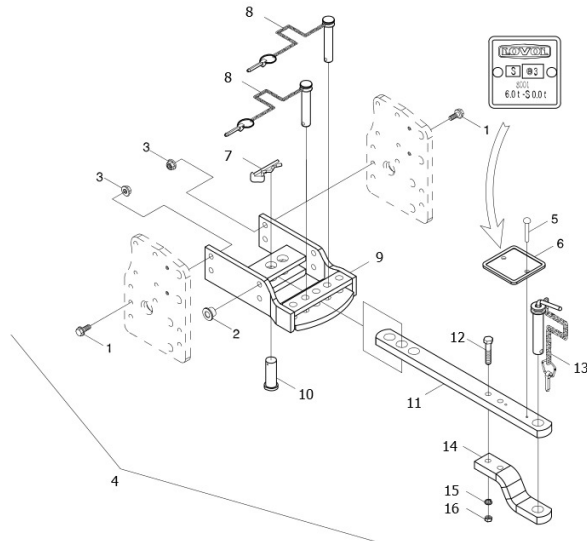


POS	COD	Q.TÀ	DESCRIZIONE	ASSEMBLY NUMBER RANGE
1	L0003354	2	SLOTTED SCREW	
2	L0002446	2	HANDLE HEAD	
3	L0003275	2	HEXAGON BOLT	
4	L0003517	2	STANDARD SPRING WASHER	
5	L0003770	1	LIFT CONTROL ASSEMBLY	
6	L0003442	2	PIN SHAFT	
7	L0003821	2	ADJUSTING ROD	
8	L0003551	2	FLAT WASHER	
9	L0003492	2	SPLIT PIN	
10	L0003548	2	FLAT WASHER	
11	L0003483	2	SPLIT PIN	
12	L0003456	2	CIRCLIP FOR SHAFT	
13	L0003773	1	LIFT CONTROL PRESSURE 2	
14	L0003861	2	NYLON SLEEVE	
15	L0003774	1	LIFT CONTROL WELDMENT 2	
16	L0004542	1	FIXING SHAFT	
17	L0003771	1	LIFT CONTROL PRESSURE 1	
18	L0003861	2	NYLON SLEEVE	
19	L0003772	1	LIFT CONTROL WELDMENT 1	
20	L0003844	1	RIGHT REVOLVING CONNECTING FORK	
21	L0003320	1	HEXAGON NUT, TYPE-1	
22	L0003822	1	CONTROL PULL ROD	
23	L0003322	1	HEXAGON NUT, TYPE-1	
24	L0003823	1	LEFT ROTATION FORK WELDMNET	



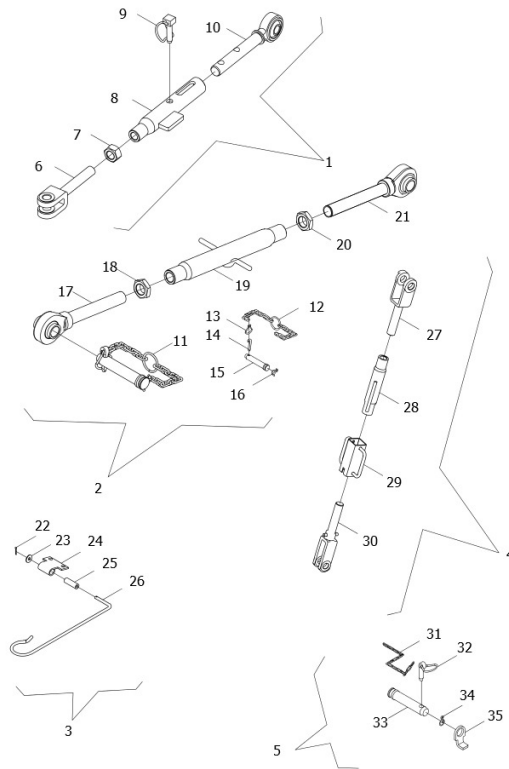


POS	COD	Q.TÀ	DESCRIZIONE	ASSEMBLY NUMBER RANGE
1	L0002776	1	TOWING PIN AND LOCKING PIN ASSEMBLY	
2	L0002642	4	LOCK PIN ASSEMBLY	
3	L0003768	4	CONNECTING PIN	
4	L0003767	1	TOW MECHANISM ASSEMBLY WELDMENT	
5	L0003769	1	DRAG HANG THE AUTHENTICATION THE SIGN	
6	L0003398	2	LABEL RIVET	
7	L0003599	1	TOW PIN WELDMENT	
8	L0003878	1	LOCKING PIN AND CHAIN ASSEMBLY	



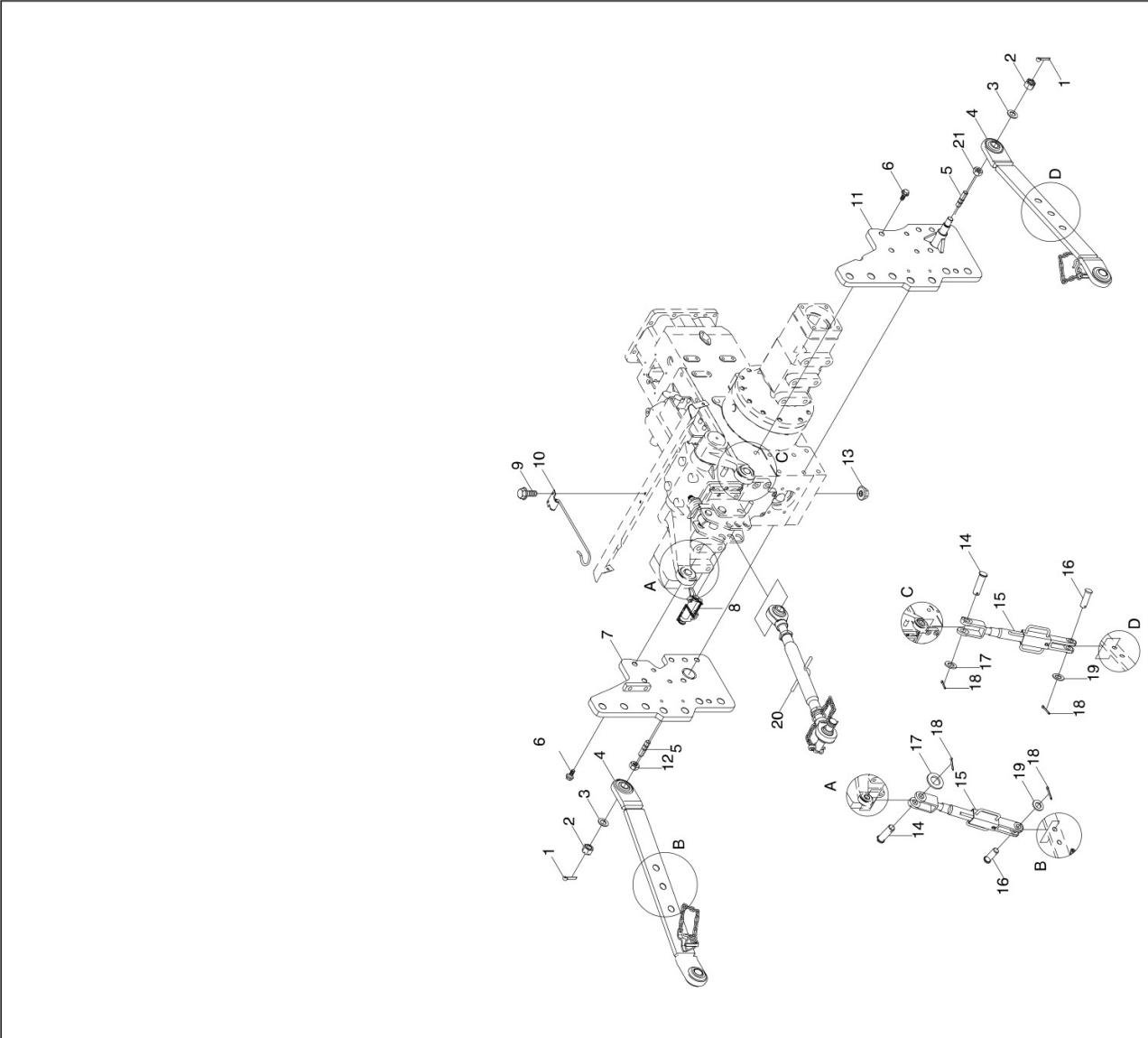


POS	COD	Q.TÀ	DESCRIZIONE	ASSEMBLY NUMBER RANGE
1	L0003294	8	HEXAGON FLANGE BOLT	
2	L0003617	2	CONNECTING SLEEVE	
3	L0003344	8	HEXAGON FLANGE NUT	
4	L0003619	1	TRACTION DEVICE ASSEMBLY	
5	L0003398	2	LABEL RIVET	
6	L0003618	1	TRACTION ATTESTATION SCUTCHEON	
7	L0000610	1	PERNO BLOCCAGGIO	
8	L0002697	2	LIMITING PIN AND LOCK PIN ASSEMBLY	
9	L0003824	1	TOWING BRACKET WELDMENT	
10	L0002272	1	Connecting Pin	
11	L0003620	1	SWING ROD	
12	L0002229	2	BOLT	
13	L0002228	1	TOWING PIN AND LOCK PIN ASSY	
14	L0002227	1	CONNECTING SWING ROD	
15	L0003510	2	STANDARD SPRING WASHER	
16	L0003313	2	HEXAGON NUT, TYPE-1	



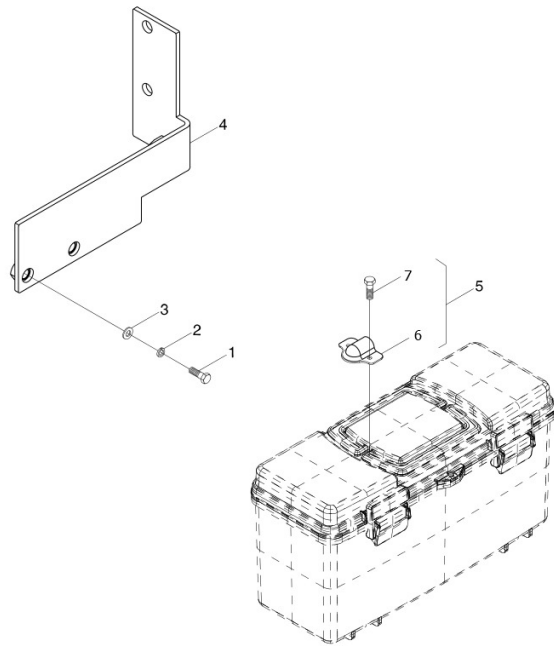


POS	COD	Q.TÀ	DESCRIZIONE	ASSEMBLY NUMBER RANGE
1	L0003832	2	LIMIT ROD ASSEMBLY	
2	L0004550	1	UPPER PULL ROD ASSEMBLY	
3	L0004545	1	UPPER PULL ROD FIXED CLIP COMBINATION	
4	L0004548	2	LIFTING ROD ASSEMBLY	
5	L0004543	1	UPPER PULL ROD FRONT CONNECTING PIN ASSEMBLY	
6	L0002783	1	LIMITING ROD ADJUSTING SCREW	
7	L0003314	1	HEXAGON NUT, TYPE-1	
8	L0003833	1	EXTENSIBLE GUIDE PIPE WELDMENT	
9	L0000499	1	COMPLESSO PERNO	
10	L0002791	1	EXTENSIBLE ROD BALL ASSEMBLY	
11	L0002746	1	UPPER PULL ROD LOCK PIN ASSEMBLY	
12	L0003009	1	CHAIN AND RING WELDMENT	
13	L0003011	1	LOCKING PIN RING	
14	L0003012	1	LOCK PIN	
15	L0002715	1	UPPER PULL ROD CONNECTING PIN	
16	L0003010	1	CONNECTING RING	
17	L0002837	1	UPPER PULL ROD REAR ADJUSTING ROD ASSEMBLY	
18	L0003332	1	HEXAGON NUT, TYPE-1	
19	L0004551	1	ADJUSTING SCREW WELDMENT	
20	L0003331	1	HEXAGON NUT, TYPE-1	
21	L0002838	1	UPPER PULL ROD FRONT ADJUSTING ROD ASSEMBLY	
22	L0002342	1	SPLIT PIN	
23	L0003529	1	BIG WASHER	
24	L0004181	1	FIXING SEAT	
25	L0004182	1	NYLON BUSH	
26	L0004546	1	UPPER PULL ROD FIXING CLIP	
27	L0003831	1	LIFTING ROD UPPER CONNECTING FORK	
28	L0004549	1	ADJUSTING SCREW WELDMENT	
29	L0003829	1	ADJUSTING SLEEVE WELDMENT	
30	L0003830	1	LOWER CONNECTING FORK	
31	L0003882	14	LINK	
32	L0003600	1	LOCK PIN ASSEMBLY	
33	L0004544	1	UPPER PULL ROD FRONT CONNECTING PIN	
34	L0003883	1	CONNECTION RING	
35	L0003840	1	RETAINER PLATE 1	





POS	COD	Q.TÀ	DESCRIZIONE	ASSEMBLY NUMBER RANGE
1	L0003499	2	SPLIT PIN	
2	L0003350	2	HEXAGON SLOTTED NUT, STYLE 1	
3	L0003543	2	FLAT WASHER	
4	L0004547	2	LOWER PULL ROD ASSEMBLY	
5	L0002644	6	DOUBLE END STUDS	
6	L0003293	10	HEXAGON FLANGE BOLT	
7	L0003775	1	LEFT SUPPROT PLATE	
8	L0004543	1	UPPER PULL ROD FRONT CONNECTING PIN ASSEMBLY	
9	L0003301	2	HEXAGON FLANGE BOLT	
10	L0004545	1	UPPER PULL ROD FIXED CLIP COMBINATION	
11	L0003776	1	RIGHT SUPPROT PLATE	
12	L0003596	6	HEXAGON NUT	
13	L0003348	2	HEXAGON FLANGE NUT	
14	L0002688	2	LIFTING ROD UPPER CONNECTING PIN	
15	L0004548	2	LIFTING ROD ASSEMBLY	
16	L0002648	2	LIFTING ROD LOWER CONNECTING PIN	
17	L0002410	2	WASHER	
18	L0003502	4	SPLIT PIN	
19	L0003544	2	FLAT WASHER	
20	L0004550	1	UPPER PULL ROD ASSEMBLY	





ARBOS

**3055
CASSETTA ACCESSORI**

POS	COD	Q.TÀ	DESCRIZIONE	ASSEMBLY NUMBER RANGE
1	L0003254	2	BOLT	
2	L0003536	2	FLAT WASHER	
3	L0003506	2	STANDARD SPRING WASHER	
4	L0002719	1	BRACKET	
5	L0003766	1	PLASTIC TOOL BOX ASSEMBLY	
6	L0003008	2	HANDLE SEAT	
7	L0003254	2	BOLT	