

(TE3SA404-003C)

CONTENTS

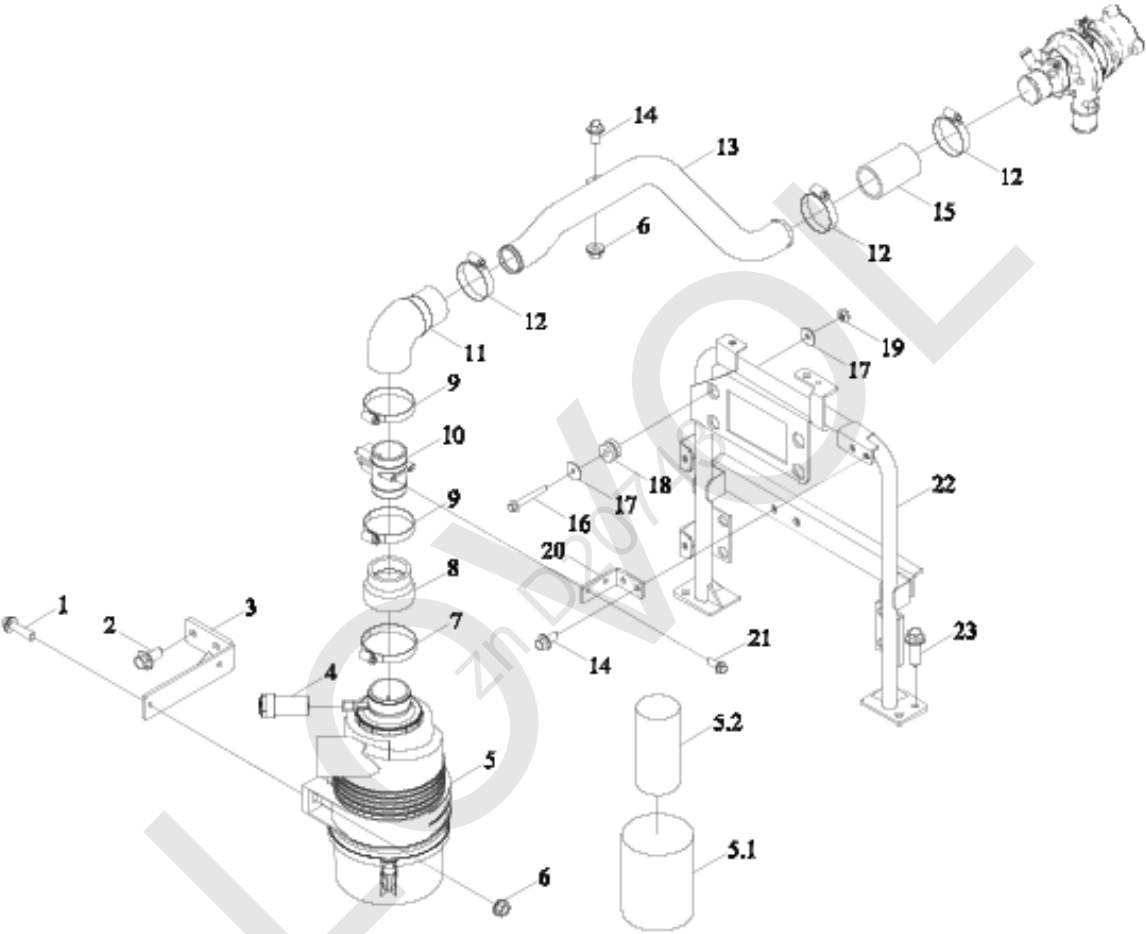
◆ TE3S110030000K MANIFOLDS & INDUCTION SYSTEM.....	1
◆ TE3S131010000K COOLING SYSTEM ASSEMBLY.....	5
◆ BZF0109-011.....	12
◆ TE3S212020000K CONTROL ASSEMBLY (CLUTCH)	15
◆ TE3S220010000K EXHAUST SYSTEMASSEMBLY.....	19
◆ TE1S311010000K FRONT DRIVE AXLE ASSEMBLY.....	22
◆ TE3S312010000K BRACKET ASSEMBLY.....	36
◆ TL01320010000K DRIVING WHEEL-FRONT.....	39
◆ TL02340020000K DRIVING WHEEL ASSEMBLY-REAR.....	42
◆ TL01350010000K TRACTION.....	45
◆ TE3S361010000K SHUTTLE GEARSHIFT ASSEMBLY.....	48
◆ TE3S362010000K CONTROL MECHANISM ASSEMBLY (SHUTTLE GEAR)	56
◆ TE3S371010000K MAIN-AUXILIARY GEARSHIFT ASSEMBLY.....	59
◆ TE3S373010000K CONTROL MECHANISM ASSEMBLY (TRANSMISSION)	67
◆ TE3S374020000K HOUSING (TRANSMISSION)	78
◆ TE3S375010000K BREATHING APPARATUS.....	81
◆ TE3C382020000 MAIN REDUCER (TRANSMISSION BOX)	84
◆ TE3S383010000K CONTROL MECHANISM ASSEMBLY (DIFFERENTIAL)	92
◆ TE2S391010000K HALF SHAFT-LEFT.....	96
◆ TE2S392010000K HALF SHAFT-RIGHT.....	100
◆ TE2S401020000K STEERING WHEEL AND STEERING COLUMN ASSEMBLY.....	104

◆ TE3S402010000K STEERING PIPE ASSEMBLY.....	107
◆ TE3S403010000K CONTROL PIPE ASSEMBLY (LOW PRESSURE)	112
◆ TE2S411010000K PTO SHAFT.....	117
◆ TE3S412010000K GEAR ASSEMBLY (PTO)	120
◆ TE2S413010000K CONTROL ASSEMBLY (PTO)	125
◆ TL02421020000 DROP GEAR BOX.....	129
◆ TE3S422010000K DRIVE SHAFT (DROP GEAR BOX)	136
◆ TE2S423010000K CONTROL ASSEMBLY (DROP GEAR BOX)	139
◆ TE3S431020000K BRAKE ASSEMBLY-LEFT.....	143
◆ TE3S432020000K BRAKE ASSEMBLY-RIGHT.....	147
◆ TE3S433040000K CONTROL MECHANISM ASSEMBLY (BRAKE)	151
◆ TE2S440010000K SEAT MOUNTING ASSEMBLY.....	162
◆ TE3S451010000K CAB ASSEMBLY.....	165
◆ TE3S453030000K INTERIOR TRIM ASSEMBLY.....	195
◆ TE3S456010000K COWL.....	198
◆ TE3S457010000K FRONT CONNECTING ASSEMBLY.....	201
◆ TE2S458010000K REAR CONNECTION ASSEMBLY.....	204
◆ TE3S471050000K HOOD ASSEMBLY.....	207
◆ TE3S473010000K LOCKING ASSEMBLY (HOOD)	211
◆ TE3S476020000K PORTAL FRAME ASSEMBLY.....	214
◆ TE3S481010000K WIRING HARNESS.....	217
◆ TE3S482010000K WIRING HARNESS.....	220
◆ TE3S483010000K WIRING HARNESS-FRONT.....	224
◆ TE2S484060000K WIRING HARNESS-REAR.....	227

◆ TE3S485010000K BATTERY ASSEMBLY.....	230
◆ TE3S487020001K INSTRUMENT CLUSTER.....	233
◆ FT250. 49. 001 TOOL BOX.....	236
◆ TE3S501010000K FUEL TANK ASSEMBLY.....	239
◆ TE3S503010000K OIL CONVEYING PIPE ASSEMBLY.....	245
◆ TE3S551010000K LIFTER ASSEMBLY.....	248
◆ TE3S552010000K CONTROL ASSEMBLY (LIFTER)	251
◆ TE3S561010000K SUSPENSION ASSEMBLY.....	255
◆ TE3S581010000K OIL PUMP-PIPE-FILTER ASSEMBLY.....	263
◆ TE3S582020000K OIL PIPE OR CONTROL MECHANISM ASSEMBLY.....	267
◆ TE3S620010000K SAFETY BELT ASSEMBLY.....	276
◆ TE3S742010000K COUNTERWEIGHT-FRONT.....	279
◆ TE3S812010000K HEATER SYSTEM.....	282
◆ TE2S950020000K REAR BALLAST ASSEMBLY.....	285

TE3S110030000K MANIFOLDS & INDUCTION SYSTEM

LOWVOL
zn D20743



TE3S110030000K MANIFOLDS & INDUCTION SYSTEM

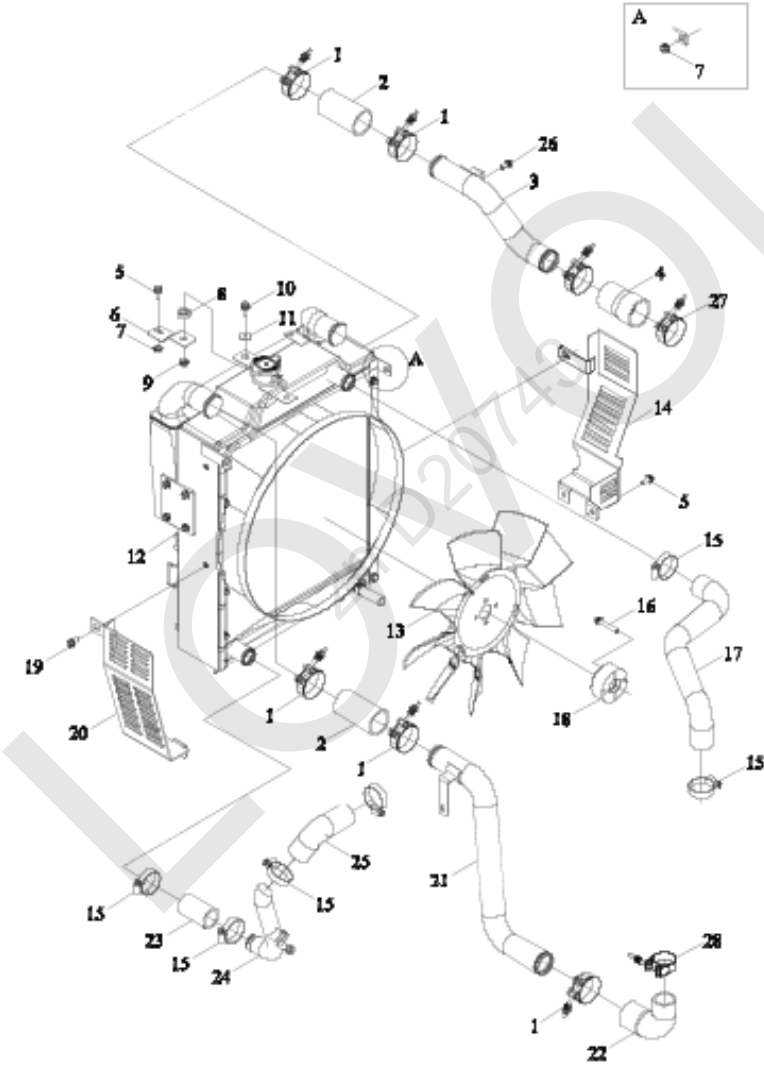
No.	Part No.	Description	Version	QTY.	Remark
	TE3S110030000K	MANIFOLDS & INDUCTION SYSTEM	002	1	
1	GBT16674. 1-M8X30-8. 8-A2L	HEX FLANGE BOLTS		2	
2	GBT16674. 1-M10X20-8. 8-A3L	HEX FLANGE BOLTS		2	
3	TE3S110030015K	AIR FILTER FIXING BRACKET		1	
4	RGV3505210015	AIR FILTER MAINTENANCE INDICATOR		1	
5	TE3S110030001K	AIR FILTER ASSEMBLY		1	
5.1	TB1S110040007K	MAIN FILTER ELEMENT		1	
5.2	TB1S110040008K	SECURITY FILTER ELEMENT		1	
6	GBT6177. 1-M8-8-A2L	HEXAGON FLANGE NUT		3	
7	Q67683	B TYPE WORM DRIVE TYPE HOSE HOOP		1	
8	TE3S110030009K	AIR OUTLET RUBBER HOSE		1	
9	Q67676	B TYPE WORM DRIVE TYPE HOSE HOOP		2	
10	TE3S110030002K	BASE		1	
11	TE3S110030010K	AIR OUTLET RUBBER HOSE		1	
12	Q67664	B TYPE WORM DRIVE TYPE HOSE HOOP		3	
13	TE3S110030004K	STEEL TUBE		1	
14	GBT16674. 1-M8X16-8. 8-A2L	HEX FLANGE BOLTS		3	
15	TE3S110030008K	RUBBER		1	
16	GBT16674. 1-M6X45-8. 8-A2L	HEX FLANGE BOLTS		4	
17	TL02582330021	LARGE WASHER		8	
18	TL02582330018	MULTI-WAY VALVE SHOCK ABSORPTION GASKET BLOCK		4	
19	GBT6177. 1-M6-8-A2L	HEXAGON FLANGE NUT		4	

TE3S110030000K MANIFOLDS & INDUCTION SYSTEM (cont'd.)

No.	Part No.	Description	Version	QTY.	Remark
20	TE3S110030013K	SENSOR		1	
21	GBT16674.1-M6X16-8.8-A2L	HEX FLANGE BOLTS		2	
22	TE3S110030016K	AIR FILTER FIXING BRACKET		1	
23	GBT16674.1-M10X30-8.8-A3L	HEX FLANGE BOLTS		4	

LOWVOL
zn D20743

TE3S131010000K COOLING SYSTEM ASSEMBLY-1



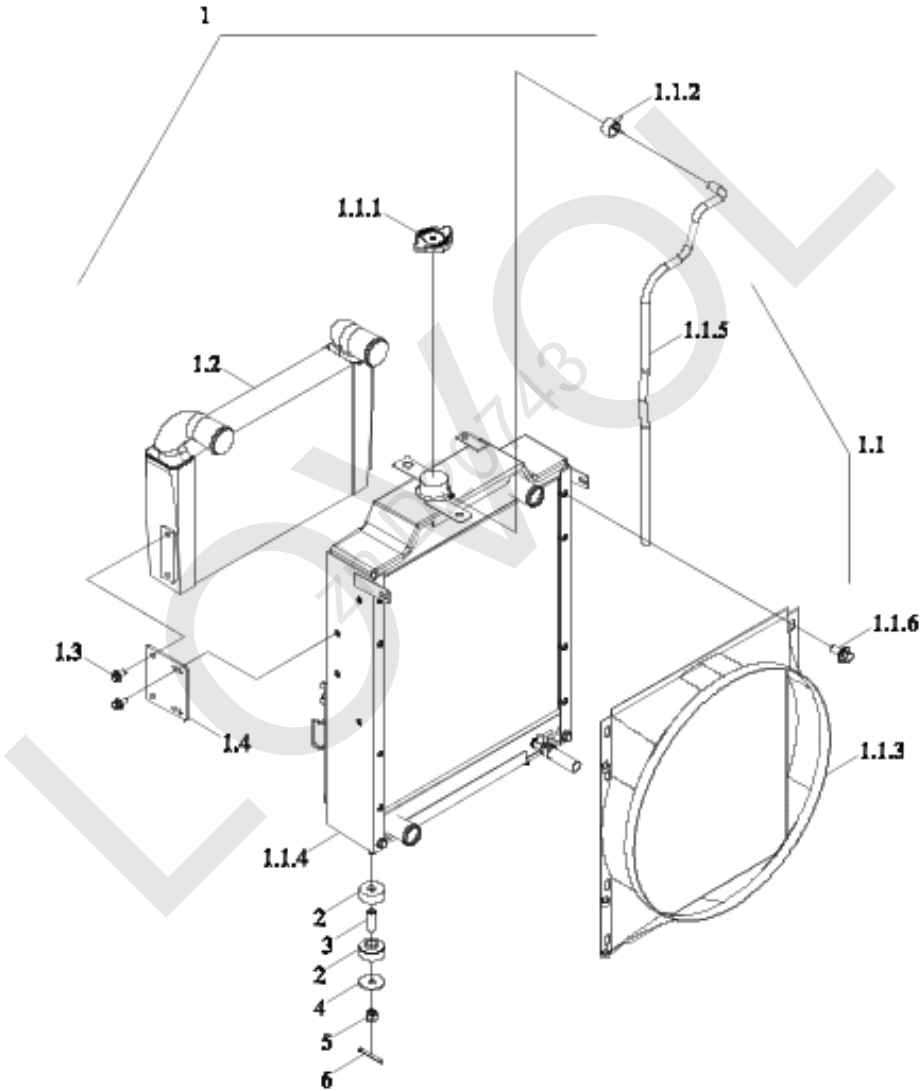
TE3S131010000K COOLING SYSTEM ASSEMBLY-1

No.	Part No.	Description	Version	QTY.	Remark
	TE3S131010000K	COOLING SYSTEM ASSEMBLY	003	1	
1	SAEJ1508-SLTB36	HOOP		6	
2	TS04110020016K	INTERCOOLER AIR INTAKE RUBBER HOSE		2	
3	TE3S131010012K	AIR OUTLET STEEL PIPE		1	
4	TE3S131010037K	ENGINE AIR INTAKE HOSE		1	
5	GBT16674. 1-M8X20-8. 8-A2L	HEX FLANGE BOLTS		5	
6	TE3S131010016K	UPPER PULL ROD ASSEMBLY		1	
7	GBT6177. 1-M8-8-A2L	HEXAGON FLANGE NUT		3	
8	TY1S131010016K	RUBBER MAT		1	
9	GBT6177. 1-M6-8-A2L	HEXAGON FLANGE NUT		1	
10	GBT5789-M6X25-8. 8-A2L	HEX FLANGE BOLTS		1	
11	GBT96. 1-8-A3L	LARGE WASHER		1	
12	TE3S131010005K	RADIATOR INSTALLATION ASSEMBLY		1	
13	TE3S131010040K	FAN ASSEMBLY		1	
14	TE3S131010018K	GUARD NET WELDMENT2		1	
15	Q67650	B TYPE WORM DRIVE TYPE HOSE HOOP		6	
16	GBT16674. 1-M8X50-8. 8-A2L	HEX FLANGE BOLTS		4	
17	TE3S131010020K	WATER TANK INLET RUBBER HOSE		1	
18	TE3S131010038K	FAN PAD		1	
19	GBT16674. 1-M8X16-10. 9-A2L	HEX FLANGE BOLTS		4	
20	TE3S131010017K	GUARD NET WELDMENT1		1	
21	TE3S131010014K	AIR INLET STEEL PIPE		1	
22	TE3S131010011K	AIR OUTLET RUBBER HOSE		1	

TE3S131010000K COOLING SYSTEM ASSEMBLY-1 (cont'd.)

No.	Part No.	Description	Version	QTY.	Remark
23	TE3S131010022K	WATER TANK OUTLET RUBBER HOSE		1	
24	TE3S131010019K	WATER INLET PIPE		1	
25	TE3S131010023K	ENGINE WATER INLET HOSE		1	
26	GBT16674. 1-M8X16-8. 8-A2L	HEX FLANGE BOLTS		2	
27	SAEJ1508-SLTB42	HOOP		1	
28	SAEJ1508-SLTB28	HOOP		1	

TE3S131010000K COOLING SYSTEM ASSEMBLY-2



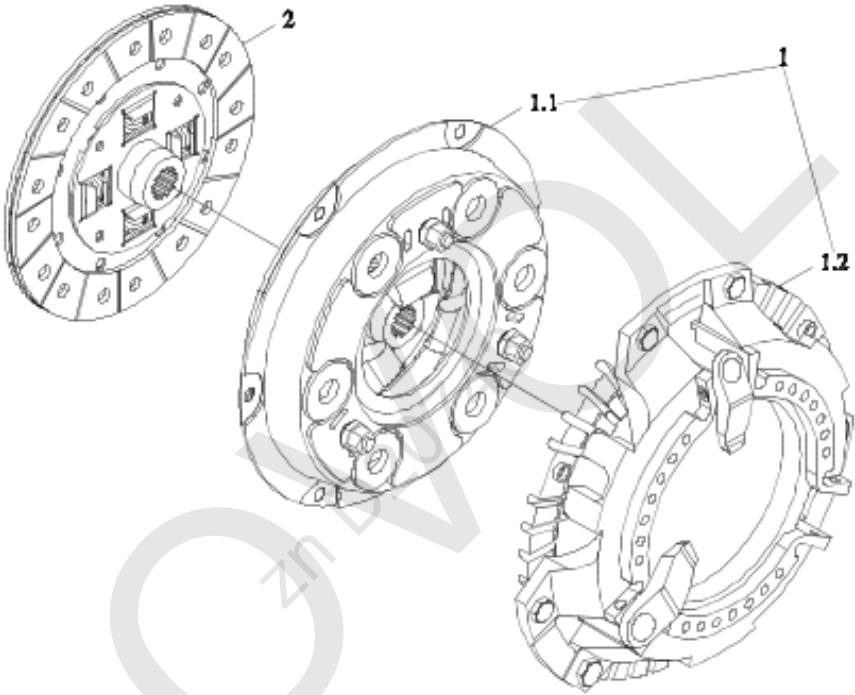
TE3S131010000K COOLING SYSTEM ASSEMBLY-2

No.	Part No.	Description	Version	QTY.	Remark
	TE3S131010000K	COOLING SYSTEM ASSEMBLY		1	
1	TE3S131010005K	RADIATOR INSTALLATION ASSEMBLY		1	
1.1	TE3S131010001K	RADIATOR ASSEMBLY		1	
1.1.1	BZF0084-003	RADIATOR COVER		1	
1.1.2	Q673B11	STEEL BAND ELASTIC HOOP		1	
1.1.3	TE3S131010003K	WIND GUIDE COVER		1	
1.1.4	TE3S131010002K	WATER COOLING RADIATOR ASSEMBLY		1	
1.1.5	TH400.13.1-03	WATER HOSE		1	
1.1.6	GBT16674.1-M8X16-8.8-A2L	HEX FLANGE BOLTS		8	
1.2	TE3S131010004K	INTERCOOLER ASSEMBLY		1	
1.3	GBT16674.1-M8X16-8.8-A2L	HEX FLANGE BOLTS		8	
1.4	TE3S131010015K	INTERCOOLER INSTALLATION BOARD		2	
2	TD800.131-11	RUBBER MAT		4	
3	TA700.131-02a	SLEEVE		2	
4	FT650.13.116	GASKET		2	
5	GBT6178-M10-8-A3L	HEXAGON SLOTTED NUT, STYLE 1		2	
6	GBT91-2.5X28-A3L	COTTER PIN		2	

LOWVOL
zn D20743

BZF0109-011

LOWVOL
zn D20743

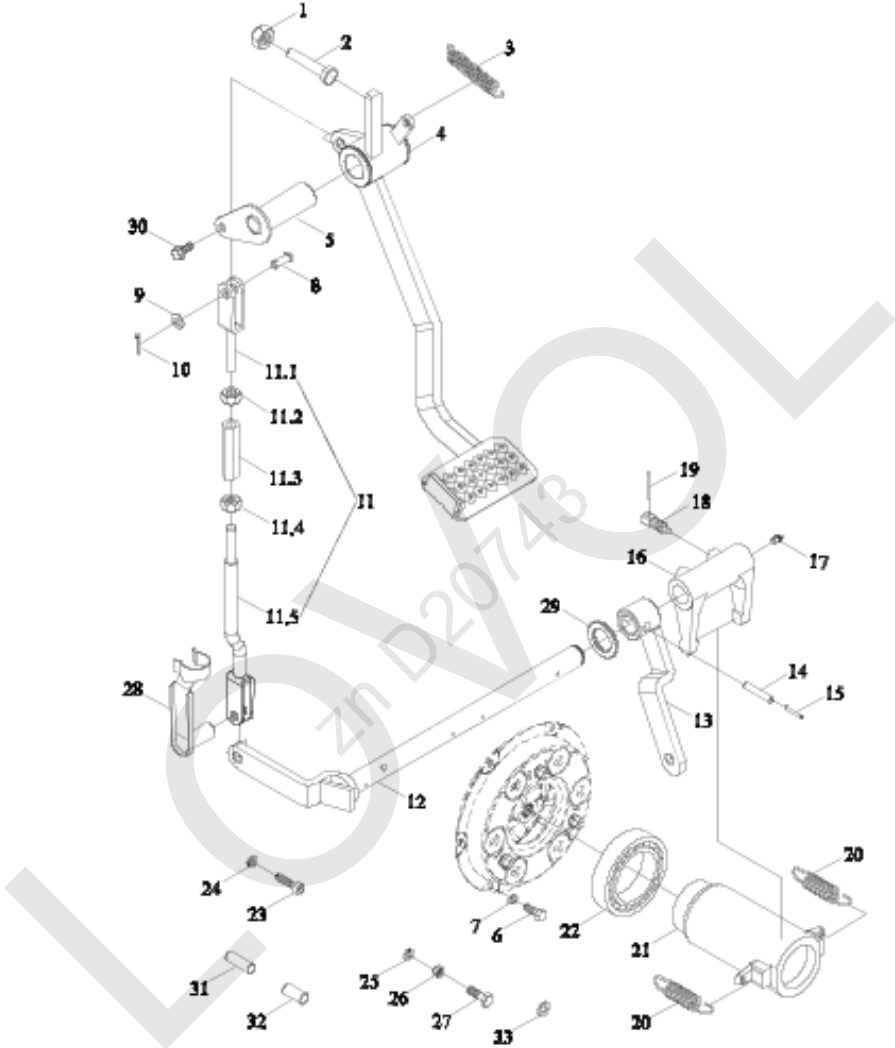


BZF0109-011

No.	Part No.	Description	Version	QTY.	Remark
	BZF0109-011	CLUTCH	002	1	
1	BZF0109-0110001	CLUTCH SET COMPLETE		1	
1.1	BZF0109-0110003	CLUTCH DRIVEN DISC ASSEMBLY		1	
1.2	BZF0109-0110004	CLUTCH PRESSURE PLATE		1	
2	BZF0109-0110002	DAMPER		1	

TE3S21202000K CONTROL ASSEMBLY (CLUTCH)

LOWVOL
zn D20743



TE3S21202000K CONTROL ASSEMBLY (CLUTCH)

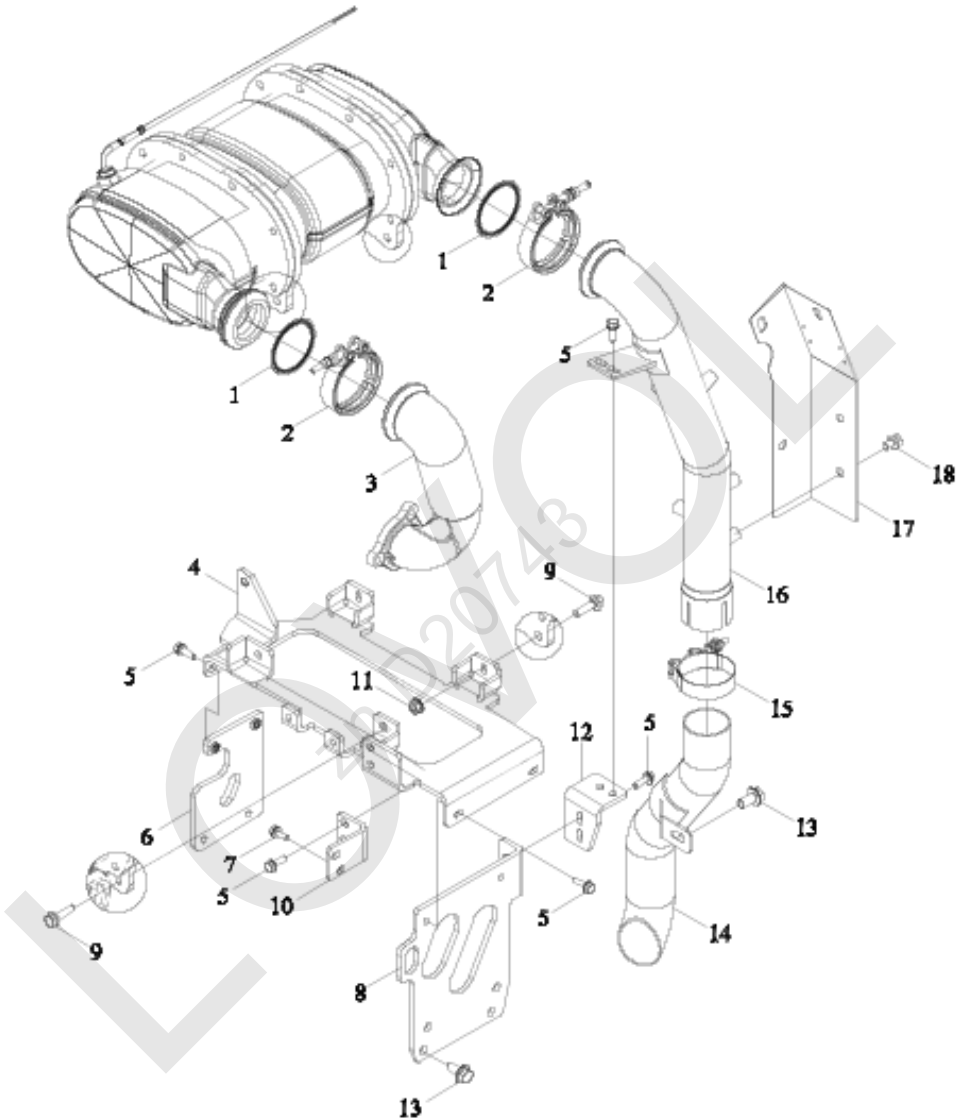
No.	Part No.	Description	Version	QTY.	Remark
	TE3S21202000K	CLUTCH CONTROL ASSEMBLY	002	1	
1	GBT6170-M10-8-A3L	TYPE 1 HEX NUT		1	
2	GBT5783-M10X60-8. 8-A3L	HEX HEAD BOLTS		1	
3	TD800. 43-01	PEDAL RETURN SPRING		1	
4	TL02212040001b	CLUTCH PEDAL ROCKER UNIT		1	
5	TL02212040012	PEDAL SHAFT WELDMENT		1	
6	GBT5783-M8X20-10. 9-A2L	HEX HEAD BOLTS		12	
7	GBT93-8-A3L	STANDARD SPRING WASHER		12	
8	GBT882-B10X26-A3L	PIN		1	
9	GBT97. 1-10-A3L	FLAT WASHERS		1	
10	GBT91-3. 2X22-A3L	COTTER PIN		1	
11	TL02212060001	PULL ROD UNIT		1	
11. 1	TL02212040016a	RELEASE UPPER TIE ROD WELD		1	
11. 2	GBT6171-M10X1-8-A2L	TYPE 1 HEX NUT		1	
11. 3	TL02212040024	ADJUSTING SLEEVE		1	
11. 4	GBT6171-M10X1-LH-8-A2L	TYPE 1 HEX NUT		1	
11. 5	TL02212060002	RELEASE LOWER TIE ROD WELD		1	
12	TE3S212020004K	CLUTCH RELEASE ROCKER WELDMENT		1	
13	TE3S212020002K	ROCKER WELDMENT		1	
14	GBT879. 1-10X32	ELASTIC CYLINDRICAL PIN		1	
15	GBT879. 1-6X32	ELASTIC CYLINDRICAL PIN		1	
16	FT200. 21. 107	CLUTCH FORK		1	
17	JBT7940. 1-M10X1	STRAIGHT-THROUGH PRESSURE OIL CUP		1	

TE3S21202000K CONTROL ASSEMBLY (CLUTCH) (cont'd.)

No.	Part No.	Description	Version	QTY.	Remark
18	FT65. 37. 109	THRUST SCREW		2	
19	TE250. 212-05	LOW CARBON STEEL WIRE		1	
20	FT200. 21. 106	RETURN SPRING OF RELEASE BEARING SEAT		2	
21	TE3S212010002K	RELEASE BEARING SEAT		1	
22	FT400. 21-01	BEARING 986911-TZ52. 388		1	
23	GBT70. 1-M6X20-10. 9-A2L	HEXAGON SOCKET HEAD CAP SCREW		6	
24	GBT93-6	STANDARD SPRING WASHER		6	
25	GBT93-12-A3L	STANDARD SPRING WASHER		1	
26	GBT6170-M12-8-A3L	TYPE 1 HEX NUT		1	
27	GBT5783-M12X50-8. 8-A3L	HEX HEAD BOLTS		1	
28	TE2S433010035K	PIPE CLAMP		1	
29	TL02433060005	GASKET		1	
30	GBT5789-M8X16-8. 8-A2L	HEX FLANGE BOLTS		1	
31	GBT119. 1-6m6X16-A3L	CYLINDRICAL PIN		2	
32	GBT119. 1-8m6X14-A3L	CYLINDRICAL PIN		3	
33	BZF0001-074	FLAT WASHER		2	

TE3S220010000K EXHAUST SYSTEMASSEMBLY

LOWVOL
zn D20743

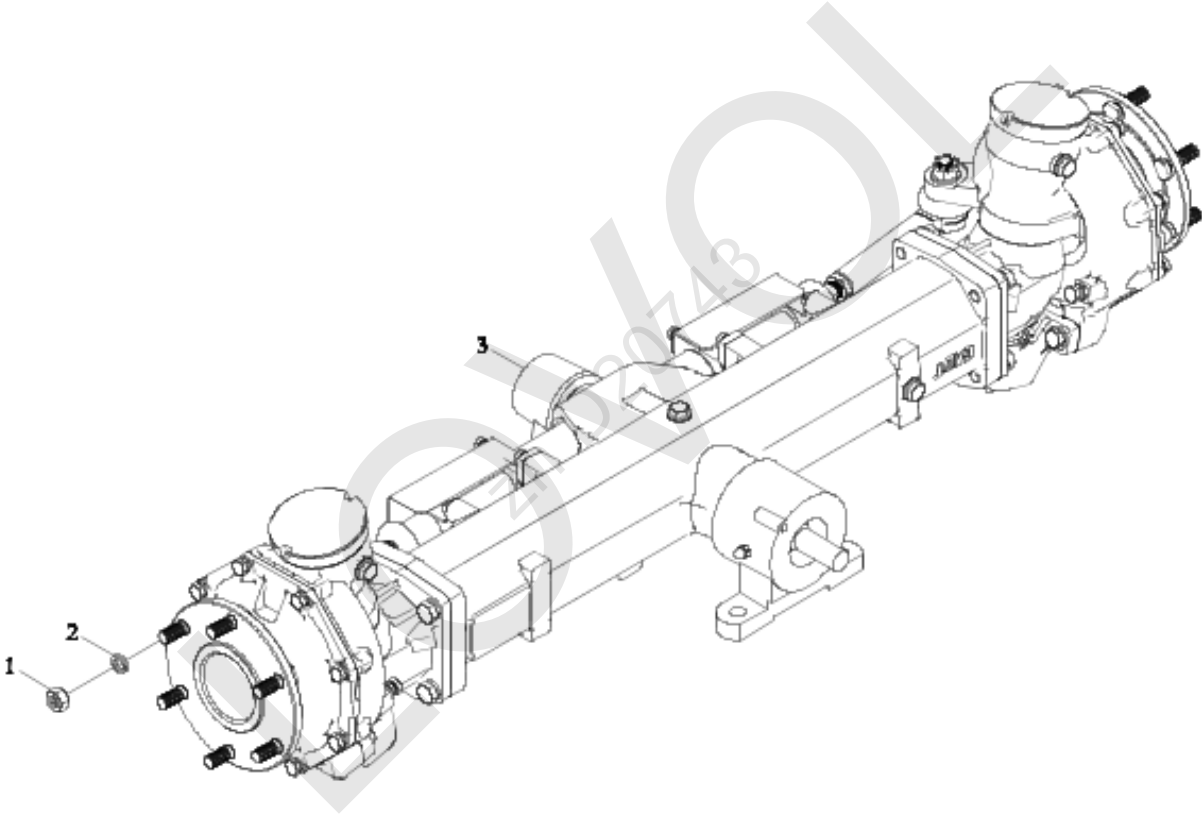


TE3S220010000K EXHAUST SYSTEM ASSEMBLY

No.	Part No.	Description	Version	QTY.	Remark
	TE3S220010000K	EXHAUST SYSTEM ASSEMBLY	004	1	
1	TB3S220030025K	SEAL		2	
2	TB3S220030019K	CLAMP, V BAND		2	
3	TE3S220010023K	EXHAUST BENDING PIPE		1	
4	TE3S220020001K	BRACKET WELDMENT-3		1	
5	GBT5789-M6X20-10.9-A2L	HEX FLANGE BOLTS		10	
6	TE3S220010003K	BRACKET WELDMENT-1		1	
7	GBT5789-M6X16-8.8-A2L	HEX FLANGE BOLTS		2	
8	TE3S220010005K	BRACKET WELDMENT-2		1	
9	GBT5789-M8X30-8.8-A2L	HEX FLANGE BOLTS		4	
10	TE3S220010012K	EXHAUST BENDING PIPE BRACKET		1	
11	GBT6177.1-M8-8-A2L	HEXAGON FLANGE NUT		4	
12	TE3S220020010K	BRACKET WELDING		1	
13	GBT5789-M10X20-8.8-A3L	HEX FLANGE BOLTS		5	
14	TE3S220010019K	EXHAUST PIPE WELDMENT		1	
15	SAEJ1508-SLTB42	HOOP		1	
16	TE3S220010016K	EXHAUST JOINT PIPE WELDMENT		1	
17	TE3S220010022K	SHIELD SHIELD WELDMENT		1	
18	GBT5789-M8X12-8.8-A2L	HEX FLANGE BOLTS		5	

LOWVOL
zn D20743

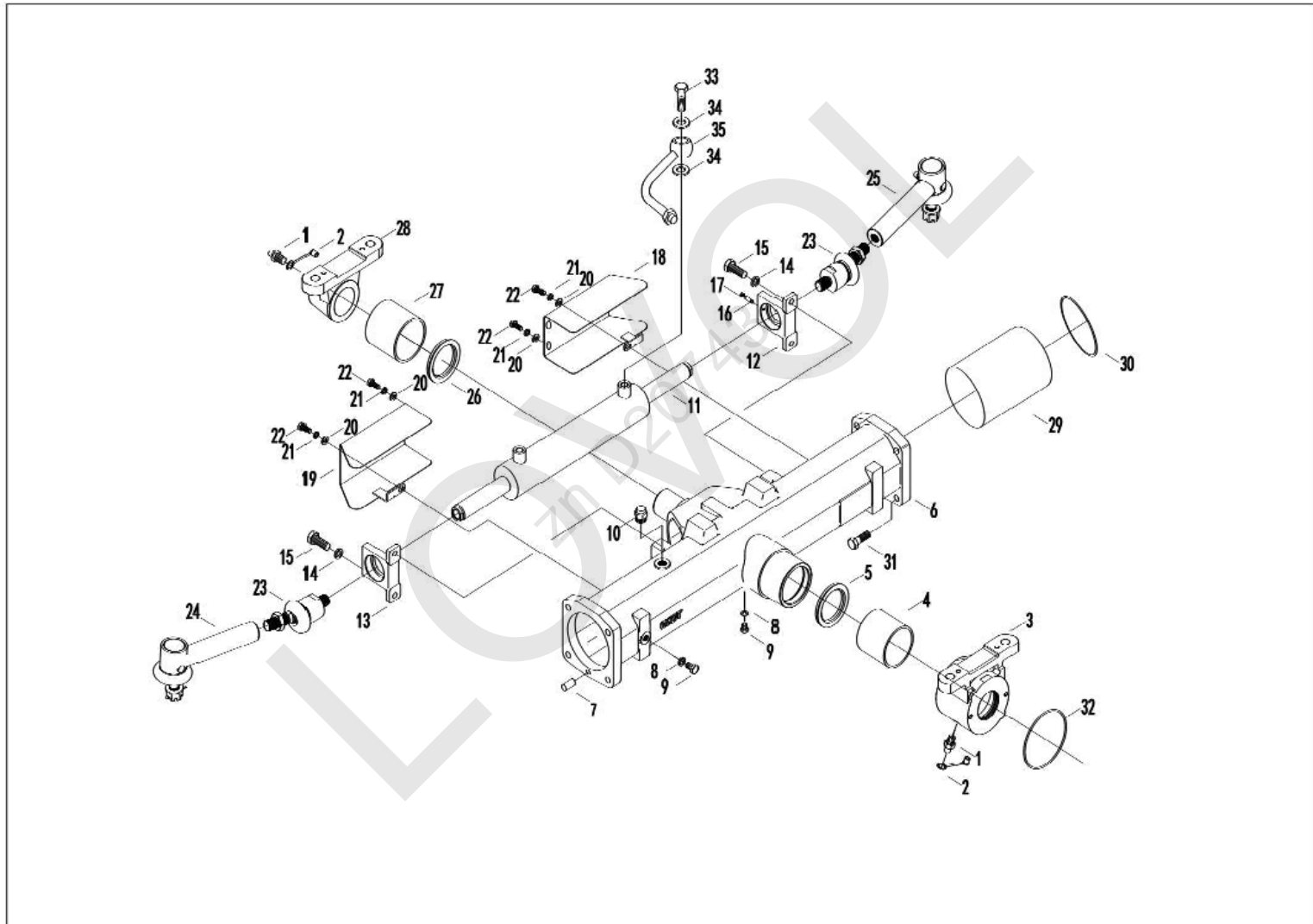
TE1S311010000K FRONT DRIVE AXLE ASSEMBLY-1



TE1S311010000K FRONT DRIVE AXLE ASSEMBLY-1

No.	Part No.	Description	Version	QTY.	Remark
	TE1S311010000K	FRONT DRIVE AXLE ASSEMBLY	001	1	
1	GBT6176-M14X1.5-10-A3L	HEXAGON NUT, TYPE-2		12	
2	FT250.31.205	WASHER		12	
3	TE1S311010001K	FRONT DRIVING AXLE SUB-ASSEMBLY		1	

TE1S311010000K FRONT DRIVE AXLE ASSEMBLY-2



TE1S311010000K FRONT DRIVE AXLE ASSEMBLY-2

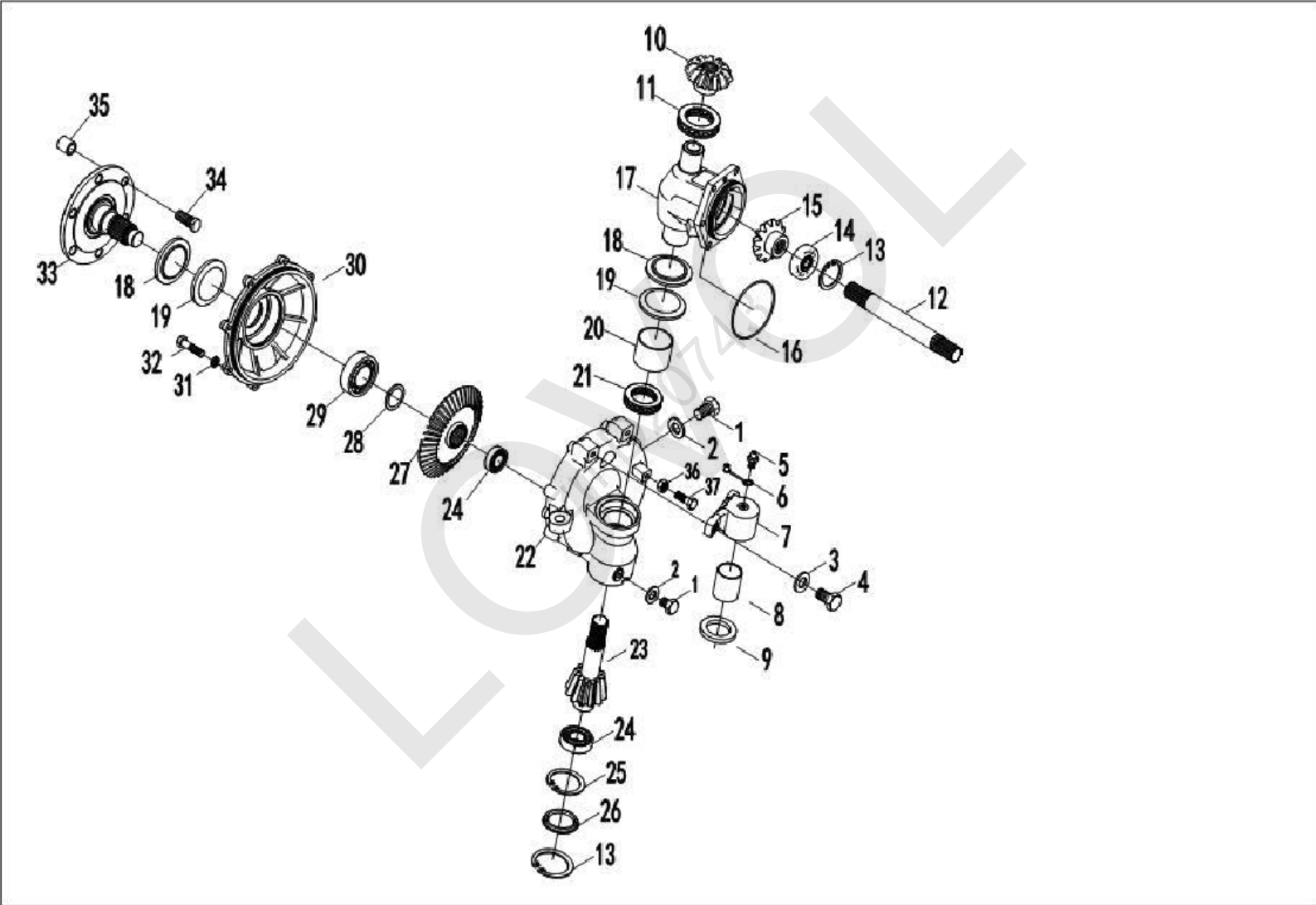
No.	Part No.	Description	Version	QTY.	Remark
	TE1S311010001K	FRONT DRIVING AXLE SUB-ASSEMBLY		1	
1	72401000010	OIL CUP		2	
2	21150107120	OIL CAP DUSTPROOF CAP		2	
3	21031103120	REAR SUPPORTING SEAT		1	
4	21160106010	SLIDING SHAFT SLEEVE 87X92X40		1	
5	11030107060	OIL SEAL		1	
6	11030103010	AXLE HOUSING		1	
7	71501001022	PIN		2	
8	72301000012	WASHER		2	
9	21160108080	SCREW PLUG M12X1.5		2	
10	74001100038	VENT PLUG		1	
11	21030800020	STEERING CYLINDER		1	
12	21030803150	OIL CYLINDER FIXING SEAT		1	
13	21030803160	LEFT FIXING SEAT		1	
14	71301000010	WASHER		4	
15	71203110030	BOLT		4	
16	71407106020	SCREW		1	
17	71108100006	NUT		1	
18	11030100110	HOOD SHIELD UNIT		1	
19	11030100120	HOOD SHIELD UNIT		1	
20	71302000008	WASHER		6	
21	71301000008	WASHER		6	
22	71203108016	BOLT		6	

TE1S311010000K FRONT DRIVE AXLE ASSEMBLY-2 (cont'd.)

No.	Part No.	Description	Version	QTY.	Remark
23	11030100050	OIL CYLINDER JOINT ASSEMBLY		2	
24	11030100040	LEFTPULLRODASSEMBLY		1	
25	11030100030	PULL ROD		1	
26	11030107070	OIL SEAL		1	
27	11030106010	SLIDING SHAFT SLEEVE		1	
28	21030803110	FRONT SUPPORT SEAT		1	
29	11030104020	SPACER		1	
30	11030104080	ADJUSTING SHIM		999	
31	71231014040	BOLT		8	
32	72201030545	O-RING		1	
33	11030308250	HOLLOW BOLT			
34	72301000014	WASHER			
35	11170200180	RIGHT OIL PIPE ASSEMBLY			
35	11170200190	LEFT OIL PIPE ASSEMBLY			

LOWVOL
zn D20743

TE1S311010000K FRONT DRIVE AXLE ASSEMBLY-3



TE1S311010000K FRONT DRIVE AXLE ASSEMBLY-3

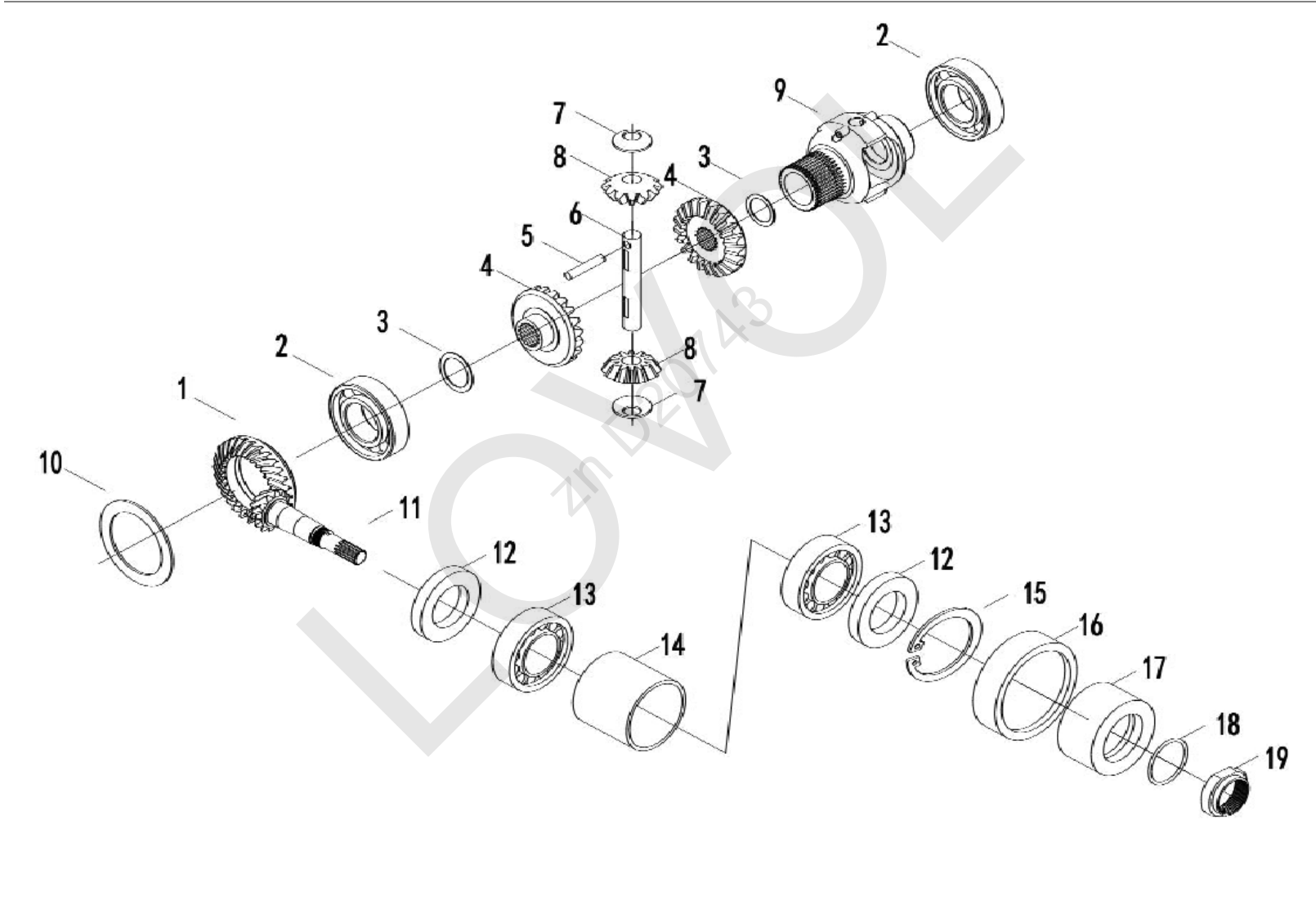
No.	Part No.	Description	Version	QTY.	Remark
1	21160108080	SCREW PLUG M12X1.5		2X2	
2	72301000012	WASHER		2X2	
3	71301000012	WASHER		2X2	
4	71203212040	BOLT		2X2	
5	72401000010	OIL CUP		1X2	
6	21150107120	OIL CAP DUSTPROOF CAP		1X2	
7	11030103080	STEERING SUPPORT		1X2	
8	11170106010	SLIDING SHAFT SLEEVE		1X2	
9	11030107100	OIL SEAL		1X2	
10	11030101020	HALF SHAFT BIG GEAR		1X2	
11	83101106207	BEARING		1X2	
12	11030102010	RIGHT HALF SHAFT		1	
12	11030102020	LEFT HALF SHAFT		1	
13	71309000090	RETAINER RING		2X2	
14	83101106210	BEARING		1X2	
15	11030101010	HALF SHAFT PINION		1X2	
16	72201031030	O-RING		1X2	
17	11030103040	STEERING BURL HOUSING		1X2	
18	21150107010	DUST RING		2X2	
19	72101507210	OIL SEAL		2X2	
20	21150106010	SLIDING SHAFT SLEEVE 50X55X35		1X2	
21	83103151106	BEARING		1X2	
22	21030803020	RIGHT END HOUSING		1	

TE1S311010000K FRONT DRIVE AXLE ASSEMBLY-3 (cont'd.)

No.	Part No.	Description	Version	QTY.	Remark
22	21030803030	LEFT END HOUSING		1	
23	11030101030	END PINION		1X2	
24	83101106208	BEARING		2X2	
25	71309000080	RETAINER RING		1X2	
26	11030107020	SEAL COVER		1X2	
27	11030101040	END BIG GEAR		1X2	
28	11030104040	LOCATING RING		2X2	
29	83101106209	BEARING		1X2	
30	21020303140	END BIG COVER		1X2	
31	71301000010	WASHER		8X2	
32	71203110030	BOLT		8X2	
33	21020302040	DRIVE SHAFT		1X2	
34	21120208030	KNURL BOLT		6X2	
35	21120107140	PROTECTIVE COVER		6X2	
36	71102100110	NUT		1X2	
37	71220110030	BOLT		1X2	

LOWVOL
zn D20743

TE1S311010000K FRONT DRIVE AXLE ASSEMBLY-4



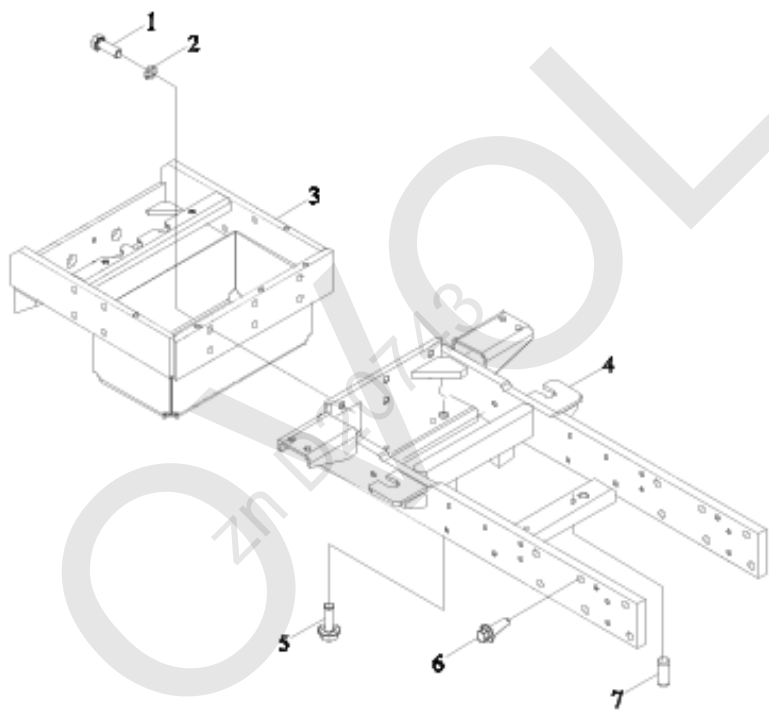
TE1S311010000K FRONT DRIVE AXLE ASSEMBLY-4

No.	Part No.	Description	Version	QTY.	Remark
1	21020301050	BIG BEVEL GEAR		1	
2	83101106212	BEARING		2	
3	11030104050	GASKET		2	
4	11030101070	Differential gear		2	
5	71503000640	PIN		1	
6	11030102050	DIFFERENTIAL PIN SHAFT		1	
7	11030104060	THRUST WASHER		2	
8	11030101090	PLANET GEAR		2	
9	11030103060	DIFFERENTIAL COVER		1	
10	73107058637	THRUST RING		1	
11	21030801060	INPUT SPIRAL BEVEL GEAR SHAFT		1	
12	11030104070	ADJUSTING SHIM		2	
13	83102130207	BEARING		2	
14	11030104010	SPACER		1	
15	71309000072	RETAINER RING		1	
16	72101507208	OIL SEAL		1	
17	11030104110	GLAND		1	
18	72201020280	O-RING		1	
19	11030108020	LOCKING NUT		1	

LOWVOL
zn D20743

TE3S312010000K BRACKET ASSEMBLY

LOWELOW
zn D20743

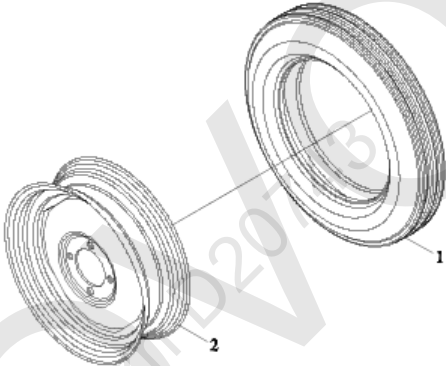


TE3S312010000K BRACKET ASSEMBLY

No.	Part No.	Description	Version	QTY.	Remark
	TE3S312010000K	BRACKET ASSEMBLY	003	1	
1	GBT5783-M12X35-10.9-A3L	HEX HEAD BOLTS		6	
2	GBT93-12-A3L	STANDARD SPRING WASHER		6	
3	TE3S312010012K	BRACKET WELDMENT		1	
4	TE3S312010001K	HALF-BRACKET WELDMENT		1	
5	GBT16674.1-M16X45-10.9-A3L	HEX FLANGE BOLTS		4	
6	GBT16674.1-M12X35-10.9-A3L	HEX FLANGE BOLTS		12	
7	GBT119.2-8X20-A3L	CYLINDRICAL PIN		4	

TL01320010000K DRIVING WHEEL-FRONT

LOWVOL
zn D20743



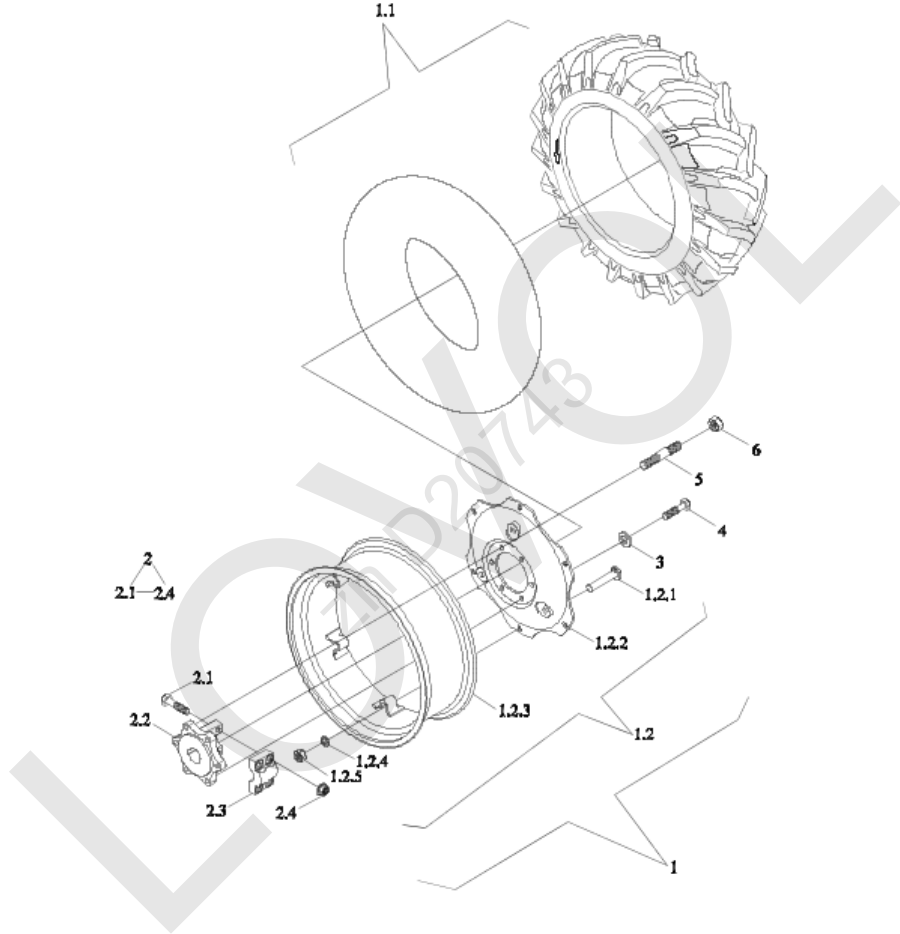
TL01320010000K DRIVING WHEEL-FRONT

No.	Part No.	Description	Version	QTY.	Remark
	TL01320010000K	FRONT DRIVING WHEEL ASSEMBLY		1	
1	TL01320010001K	AGRICULTURAL RADIAL TIRE 260/70R16		1	
2	TL01320010002K	RIM WELDMENT		1	



TL02340020000K DRIVING WHEEL ASSEMBLY-REAR

LOWVOL
zn D20743

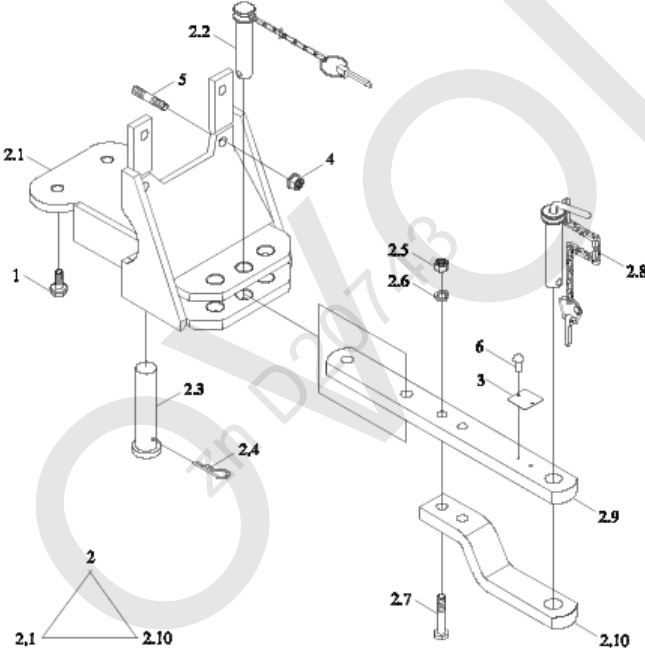


TL02340020000K DRIVING WHEEL ASSEMBLY-REAR

序号	零件图号	零件名称	版本	数量	备注
	TL02340020000K	后驱动轮总成		1	
1	TL02340020002K	后轮装配总成		1	
1.1	TL02340020001K	农业子午线轮胎320/85R24		1	
1.2	TL02340020004K	轮辋辐板总成		1	
2	TE254.34B.2	轮毂装配总成		1	
3	FT250.34.108	轮毂垫圈		6	
4	GBT5786-M14X1.5X35-10.9-A3L	六角头螺栓		4	
5	TL01340010003	双头螺柱		2	
6	GBT6171-M14X1.5-10-A3L	1型六角螺母		2	

TL01350010000K TRACTION

LOWVOL
zn D20743

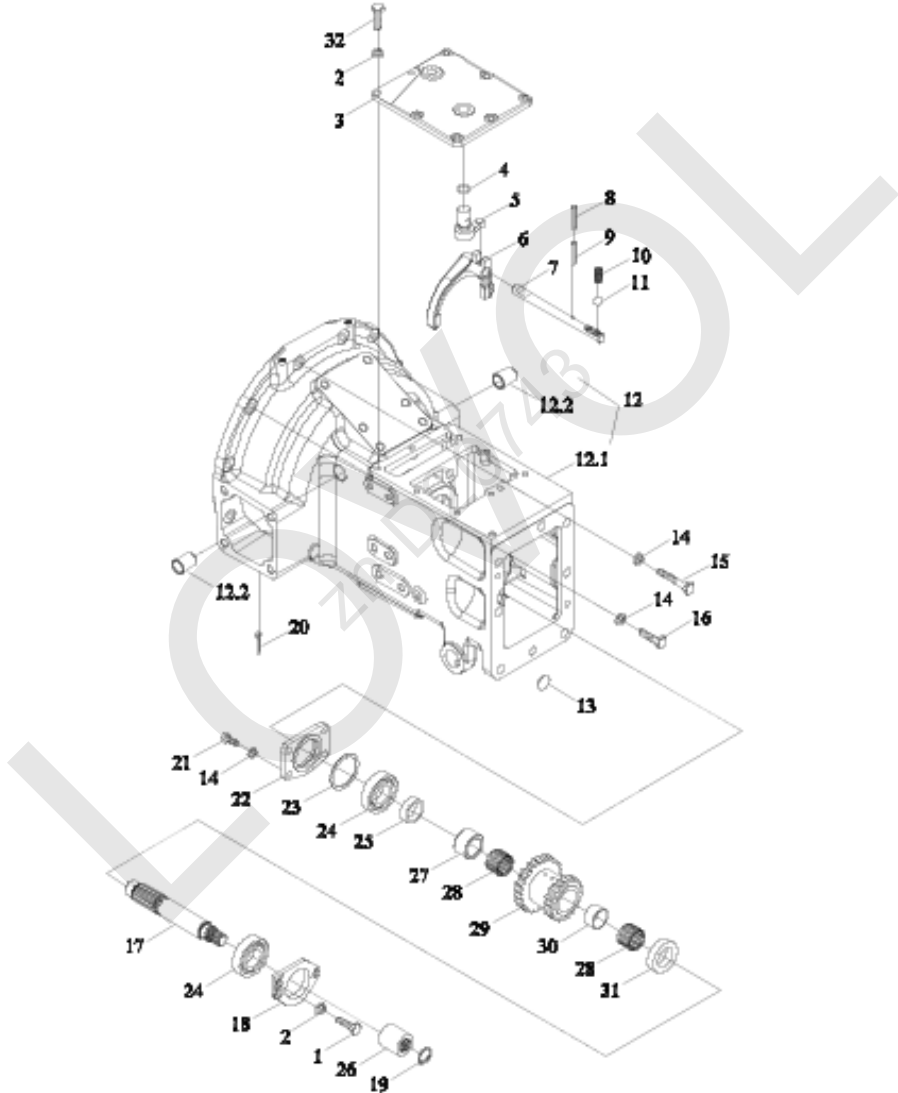


TL01350010000K TRACTION

No.	Part No.	Description	Version	QTY.	Remark
	TL01350010000K	TOWING MECHANISM INSTALLATION ASSEMBLY		1	
1	GBT16674. 1-M12X30-10. 9-A3L	HEX FLANGE BOLTS		2	
2	TL01350010001K	TRACTION DEVICE ASSEMBLY		1	
2.1	TE300. 35. 2. 1	TOWING BRACKET WELDMENT		1	
2.2	TE250. 35A. 1. 1	LIMITING PIN AND LOCK PIN ASSEMBLY		1	
2.3	FT250. 35. 101	CONNECTING PIN		1	
2.4	FT65. 35. 103	SPRING LOCK PIN		1	
2.5	GBT6170-M16-8-A3L	TYPE 1 HEX NUT		2	
2.6	GBT93-16	STANDARD SPRING WASHER		2	
2.7	GBT5782-M16X80-8. 8-A3L	HEX HEAD BOLTS		2	
2.8	TB400. 35. 1. 2	TOWING PIN AND LOCK PIN ASSEMBLY		1	
2.9	TE250. 35C. 1-01	SWING ROD		1	
2.10	TB400. 35. 1-02	CONNECTING SWING ROD		1	
3	TE250. 35C-01	TOWING SIGN PLATE		1	
4	SPL-CO-M12-10-F3	HEX FLANGE NUT		4	
5	GBT899-GM12-M12X32-10. 9-A3L	STUD		4	
6	GBT827-3X8-A0P	LABEL RIVET		2	

LOWVOL
zn D20743

TE3S361010000K SHUTTLE GEARSHIFT ASSEMBLY-1



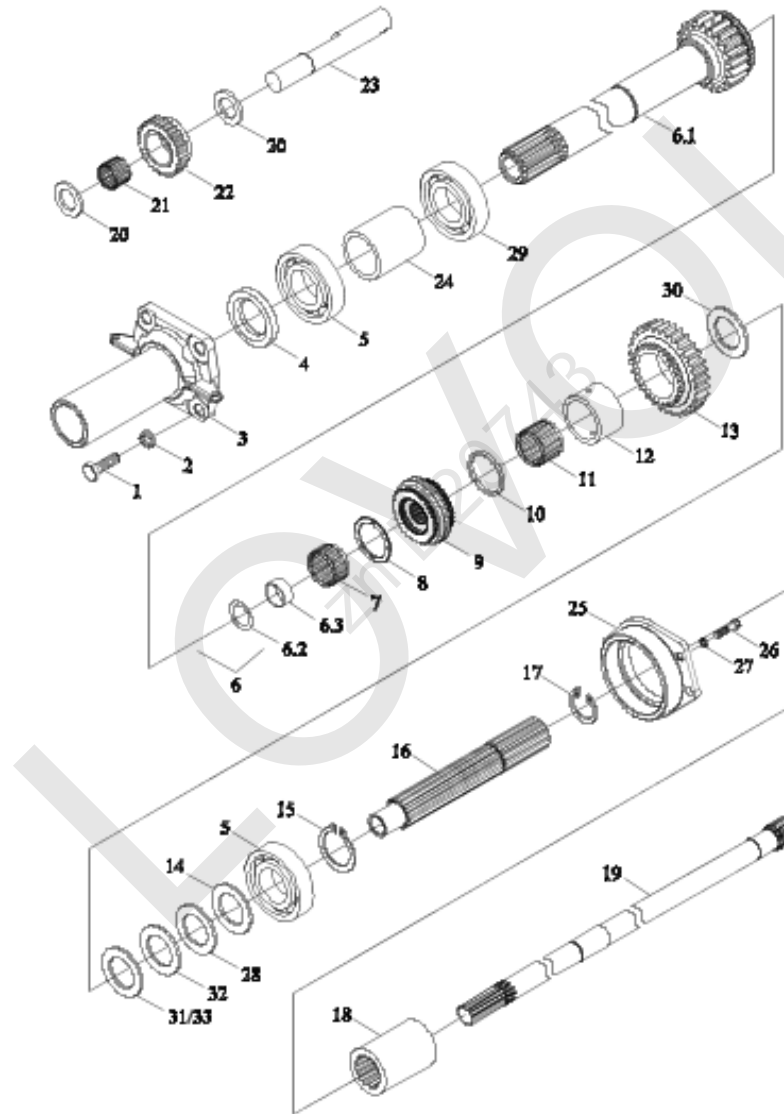
TE3S361010000K SHUTTLE GEARSHIFT ASSEMBLY-1

No.	Part No.	Description	Version	QTY.	Remark
	TE3S361010000K	SHUTTLE SHIFT ASSEMBLY	003	1	
1	GBT5783-M8X20-8. 8-A2L	HEX HEAD BOLTS		5	
2	GBT93-8-A3L	STANDARD SPRING WASHER		13	
3	TE3S361010009K	SHUTTLE SHIFT UPPER COVER		1	
4	GBT3452. 1-13. 2X2. 65G	O-RING RUBBER SEAL FOR HYDRAULIC AND PNEUMATIC		1	
5	TE250. 361F-23b	SHUTTLE SHIFT ROCKER ARM		1	
6	TE254. 361T-01	FORK		1	
7	TE1S361020007K	FOPK SHAFT		1	
7	TE1S361020004K	FOPK SHAFT		1	
7	TE1S361020008K	FOPK SHAFT		1	
8	GBT879. 1-3X24	ELASTIC CYLINDRICAL PIN		1	
9	GBT879. 1-5X24	ELASTIC CYLINDRICAL PIN		1	
10	FT250. 37. 148	LOCKING SPRING OF FORK SHAFT		1	
11	GBT308-8. 731-G200-b	STEEL BALL		1	
12	TE3S361010001K	CLUTCH HOUSING		1	
12. 1	TE3S361010002K	CLUTCH HOUSING		1	
12. 2	FT250. 36. 103	ROCKER SHAFT LONG BUSH		2	
13	TE250. 361-02	BOWL SHIM -15		1	
14	GBT93-10-A3L	STANDARD SPRING WASHER		20	
15	GBT5782-M10X55-8. 8-A3L	HEX HEAD BOLTS		4	
16	GBT5783-M10X35-8. 8-A3L	HEX HEAD BOLTS		8	
17	TE3S361010007K	SHUTTLE SHIFT MIDDLE SHAFT		1	
18	TE250. 361F-22	BEARING PRESSURE CAP		1	

TE3S361010000K SHUTTLE GEARSHIFT ASSEMBLY-1 (cont'd.)

No.	Part No.	Description	Version	QTY.	Remark
19	GBT893. 1-18	RETAINING RING FOR HOLE		1	
20	GBT91-4X20-A3L	COTTER PIN		1	
21	GBT5783-M10X25-8. 8-A3L	HEX HEAD BOLTS		8	
22	TE250. 361F-04	BEARING PRESSURE CAP		1	
23	TE250. 361F-21	ADJUSTING WASHER		1	
24	GBT276-6305	DEEP GROOVE BALL BEARING		2	
25	TL02361080018	SPACER		1	
26	TL02361080014	SPLINE BUSH		1	
27	TE3S361010008K	MIDDLE SHAFT SPACER BUSH		1	
28	GBT20056-K30X35X27	NEEDLE AND CARRIER COMBINATION		2	
29	TL02361080017	SHUTTLE SHIFT DRIVEN DUAL GEAR		1	
30	TE354. 361T-02	SHORT BUSH		1	
31	TE354. 361T-04	MIDDLE SHAFT RETAINER RING		1	
32	GBT5783-M8X25-8. 8-A2L	HEX HEAD BOLTS		8	

TE3S361010000K SHUTTLE GEARSHIFT ASSEMBLY-2



TE3S361010000K SHUTTLE GEARSHIFT ASSEMBLY-2

No.	Part No.	Description	Version	QTY.	Remark
	TE3S361010000K	SHUTTLE SHIFT ASSEMBLY		1	
1	GBT5783-M10X25-8.8-A3L	HEX HEAD BOLTS		8	
2	GBT93-10-A3L	STANDARD SPRING WASHER		20	
3	TE3S361010005K	RELEASE BEARING SEAT SUPPORT		1	
4	GBT9877.1-FB35X55X8F	ROTARY SHAFT LIP SEAL WITH INNER FRAME		1	
5	GBT276-6207	DEEP GROOVE BALL BEARING		2	
6	TE3S361010003K	DRIVING GEAR SHAFT		1	
6.1	TE3S361010004K	DRIVING GEAR SHAFT		1	
6.2	GBT3452.1-20.0X1.80G	O-RING RUBBER SEAL FOR HYDRAULIC AND PNEUMATIC		1	
6.3	TE250.361F.2-02	BUSHING		2	
7	GBT20056-K28X36X20	NEEDLE AND CARRIER COMBINATION		1	
8	TE354.361T-16	RETAINER RING		1	
9	TE354.361T.3	SYNCHRONIZER ASSEMBLY		1	
10	TE250.361D-13	NEEDLE SPACER BUSH		1	
11	QLWZB120-K42X48X21	NEEDLE ROLLER BEARING-K30X35X17		1	
12	TE354.361T-13	DRIVEN GEAR BUSH		1	
13	TS02361040005	SHUTTLE SHIFT DRIVEN GEAR		1	
14	FT300.38J.202	ADJUSTING WASHER		1	
15	GBT894.1-35	RETAINING RING FOR SHAFT		1	
16	TE354.361T-14	OUTPUT SHAFT		1	
17	GBT893.1-32	RETAINING RING FOR HOLE		1	
18	TE354.361T-15	SPLINE BUSH		1	

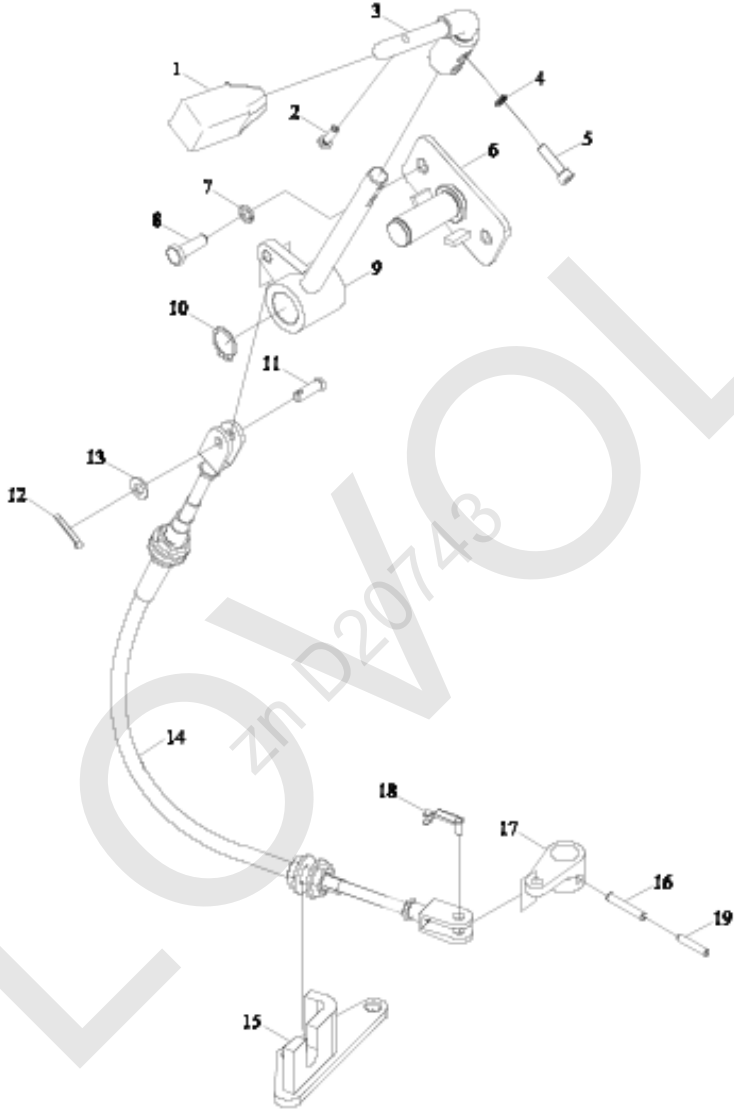
TE3S36101000K SHUTTLE GEARSHIFT ASSEMBLY-2 (cont'd.)

No.	Part No.	Description	Version	QTY.	Remark
19	TE3S361010010K	PTO CLUTCH SHAFT		1	
20	TE354.361T-10	IDLER SHAFT RETAINER RING		2	
21	GBT20056-K20X25X17	NEEDLE AND CARRIER COMBINATION		1	
22	TL02361080015	IDLER		1	
23	TL02361080007	SHUTTLE SHIFT IDLER SHAFT		1	
24	TE354.361T-09	SPACER BUSH		1	
25	TE354.361T-05	REAR BEARING SEAT		1	
26	GBT5783-M8X20-8.8-A2L	HEX HEAD BOLTS		5	
27	GBT93-8-A3L	STANDARD SPRING WASHER		13	
28	FT300.38J.219	ADJUSTING WASHER		1	
29	GBT283-NUP207E	COLUMN ROLLER BEARING		1	
30	FT300.38J.220	ADJUSTING WASHER		1	
31	FT300.38J.221	ADJUSTING WASHER		1	
32	FT300.38J.237	ADJUSTING WASHER		1	
33	FT300.38J.238	ADJUSTING WASHER		1	

LOWVOL
zn D20743

TE3S362010000K CONTROL MECHANISM ASSEMBLY (SHUTTLE GEAR)

LOWEOL
zn D20743

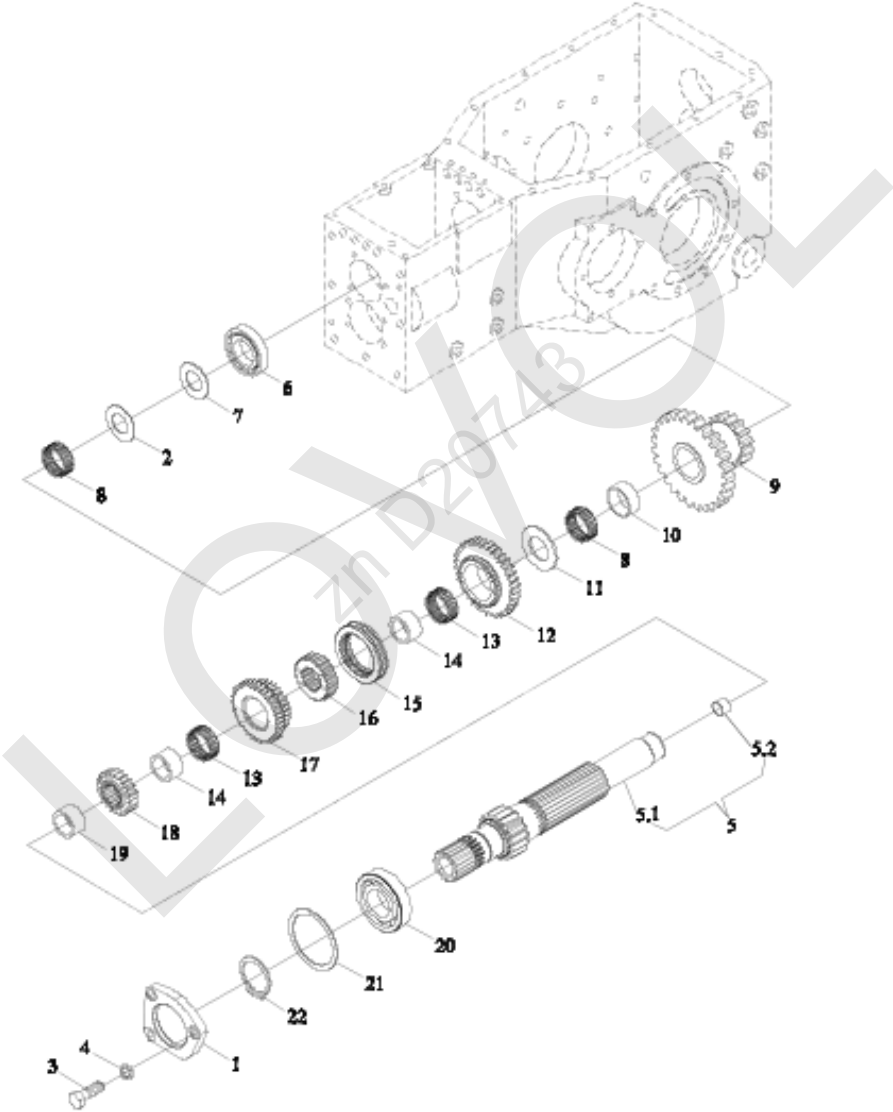


TE3S362010000K CONTROL MECHANISM ASSEMBLY (SHUTTLE GEAR)

No.	Part No.	Description	Version	QTY.	Remark
	TE3S362010000K	SHUTTLE SHIFT CONTROL MECHANISM ASSEMBLY	002	1	
1	TE2S362010006K	SHUTTLE SHIFT HANDLE		1	
2	GBT818-M5X16-4.8-A2L	CROSS RECESSED PAN HEAD SCREWS		1	
3	TE2S362010008K	SHUTTLE SHIFT LEVER TYPE UP SECTION		1	
4	GBT93-6-A3L	STANDARD SPRING WASHER		2	
5	GBT70.1-M6X25-10.9-A2L	HEXAGON SOCKET HEAD CAP SCREW		2	
6	TL02362010014	SHUTTLE SHIFT HANDLE SEAT		1	
7	GBT93-8-A3L	STANDARD SPRING WASHER		2	
8	GBT5783-M8X25-8.8-A2L	HEX HEAD BOLTS		2	
9	TE2S362010011K	SHUTTLE SHIFT LEVER TYPE LOWER SECTION		1	
10	GBT894.1-20	RETAINING RING FOR SHAFT		1	
11	TG1654.373B.1-01	PIN		1	
12	GBT91-3.2X20-A3L	COTTER PIN		1	
13	GBT97.1-8-A3L	FLAT WASHERS		1	
14	TE2S362020001K	SOFT SHAFT WELD		1	
15	TE3S362010001K	INSTALLATION PLATE WELDMENT		1	
16	GBT879.1-8X28	ELASTIC CYLINDRICAL PIN		1	
17	TL02362020007a	ROCKER		1	
18	TL02362020003	PIPE CLAMP		1	
19	GBT879.1-5X28	ELASTIC CYLINDRICAL PIN		1	

LOWVOL
zn D20743

TE3S371010000K MAIN-AUXILIARY GEARSHIFT ASSEMBLY-1



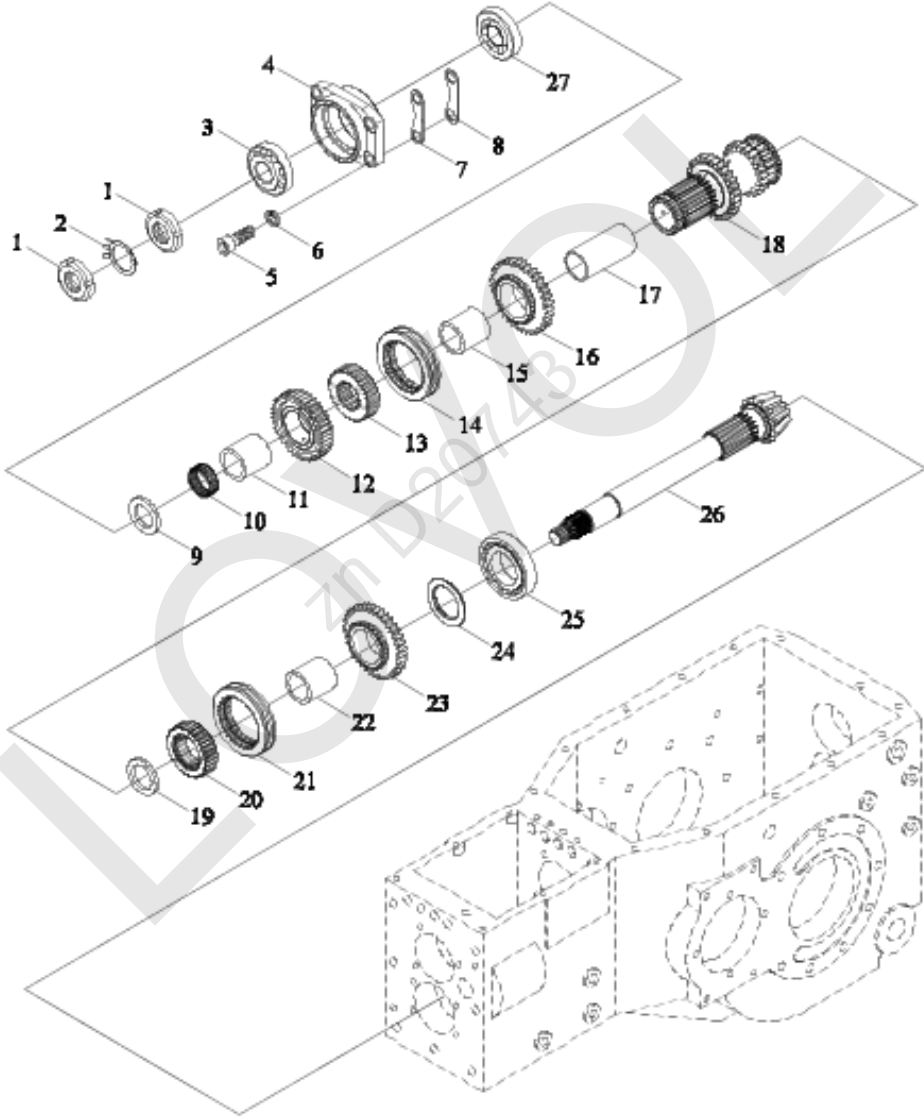
TE3S371010000K MAIN-AUXILIARY GEARSHIFT ASSEMBLY-1

No.	Part No.	Description	Version	QTY.	Remark
	TE3S371010000K	MAIN/AUXILIARY GEARSHIFT ASSEMBLY	002	1	
1	TL02371090014	1ST SHAFT FRONT BEARING COVER		1	
2	FT250. 37A. 152	1ST SHAFT ASSISTANT GEARSHIFT SPACER RING		1	
2	FT250. 37A. 153	1ST SHAFT ASSISTANT GEARSHIFT SPACER RING		1	
2	FT250. 37A. 154	1ST SHAFT ASSISTANT GEARSHIFT SPACER RING		1	
2	FT250. 37A. 151	1ST SHAFT ASSISTANT GEARSHIFT SPACER RING		1	
2	FT250. 37A. 150	1ST SHAFT ASSISTANT GEARSHIFT SPACER RING		1	
3	GBT5783-M10X30-8. 8-A3L	HEX HEAD BOLTS		3	
4	GBT93-10-A3L	STANDARD SPRING WASHER		7	
5	TE3S371010001K	INPUT SHAFT ASSEMBLY		1	
5.1	TE3S371010002K	INPUT SHAFT		1	
5.2	FT250. 37A. 137	SLEEVE		1	
6	GBT283-NJ206E	COLUMN ROLLER BEARING		1	
7	FT250. 37A. 272	THRUST RING		1	
8	GBT20056-K32X37X27	NEEDLE AND CARRIER COMBINATION		4	
9	TL02371120012	HIGH AND LOW GEAR FIXING GEAR		1	
10	TL02371120013	ROLLER NEEDLE BEARING BUSH		1	
11	TL02371120011	IV DRIVING GEAR RETAINING RING		1	
12	TE3S371010004K	IV DRIVING GEAR		1	
13	TL02371120009	ROLLER NEEDLE BEARING		2	
14	TL02371120010	III GEAR BUSH		2	
15	TL02371120007	III-IV SHIFT COLLAR		1	
16	TL02371120006	III-IV ENGAGING GEAR SEAT		1	

TE3S371010000K MAIN-AUXILIARY GEARSHIFT ASSEMBLY-1 (cont'd.)

No.	Part No.	Description	Version	QTY.	Remark
17	TL02371120005	III DRIVING GEAR		1	
18	TL02371120004	II DRIVING GEAR		1	
19	TL02371120003	I-II GEAR SPACER		1	
20	GBT276-6307N	DEEP GROOVE BALL BEARING		1	
21	GBT305-80-86.6	THRUST RING		1	
22	GBT894.1-35	RETAINING RING FOR SHAFT		1	

TE3S371010000K MAIN-AUXILIARY GEARSHIFT ASSEMBLY-2



TE3S371010000K MAIN-AUXILIARY GEARSHIFT ASSEMBLY-2

No.	Part No.	Description	Version	QTY.	Remark
	TE3S371010000K	MAIN/AUXILIARY GEARSHIFT ASSEMBLY		1	
1	GBT812-M27X1.5	ROUND NUT		2	
2	GBT858-27	TAB WASHER FOR ROUND NUT		1	
3	GBT297-30206	TAPERED ROLLER BEARING-30211-J2-Q		1	
4	TL02371120015	SHAFT 2 FRONT BEARING SEAT		1	
5	GBT70.1-M10X30-12.9	HEXAGON SOCKET HEAD CAP SCREW		4	
6	GBT93-10-A3L	STANDARD SPRING WASHER		7	
7	FT250.37.122	SHAFT-2 ADJUSTING WASHER		1	
8	FT250.37.123	SHAFT-2 ADJUSTING WASHER		1	
9	TL02371090012	SHAFT-2 FRONT THRUST RING		1	
10	GBT20056-K32X37X27	NEEDLE AND CARRIER COMBINATION		4	
11	TL02371090024	1 GEAR DRIVEN GEAR BUSH		1	
12	TE3S371010003K	1 GEAR DRIVEN GEAR		1	
13	TL02371090003	I-II ENGAGING TOOTH SEAT		1	
14	TD950.372C-26	SHIFT COLLAR		1	
15	TL02371090023	1 GEAR DRIVEN GEAR BUSH		1	
16	TL02371090002	2 DRIVEN GEAR		1	
17	TL02371090022	LONG SPACER BUSH		1	
18	TE3S371010005K	3-4 GEAR DRIVEN GEAR		1	
19	FT250.37.104a	SHAFT-2 REAR THRUST RING		1	
20	TL02371090018	MESH GEAR SEAT		1	
21	TE300.371-09	SHIFT COLLAR		1	
22	TL02371070010	LOW GEAR DRIVEN GEAR BUSH		1	

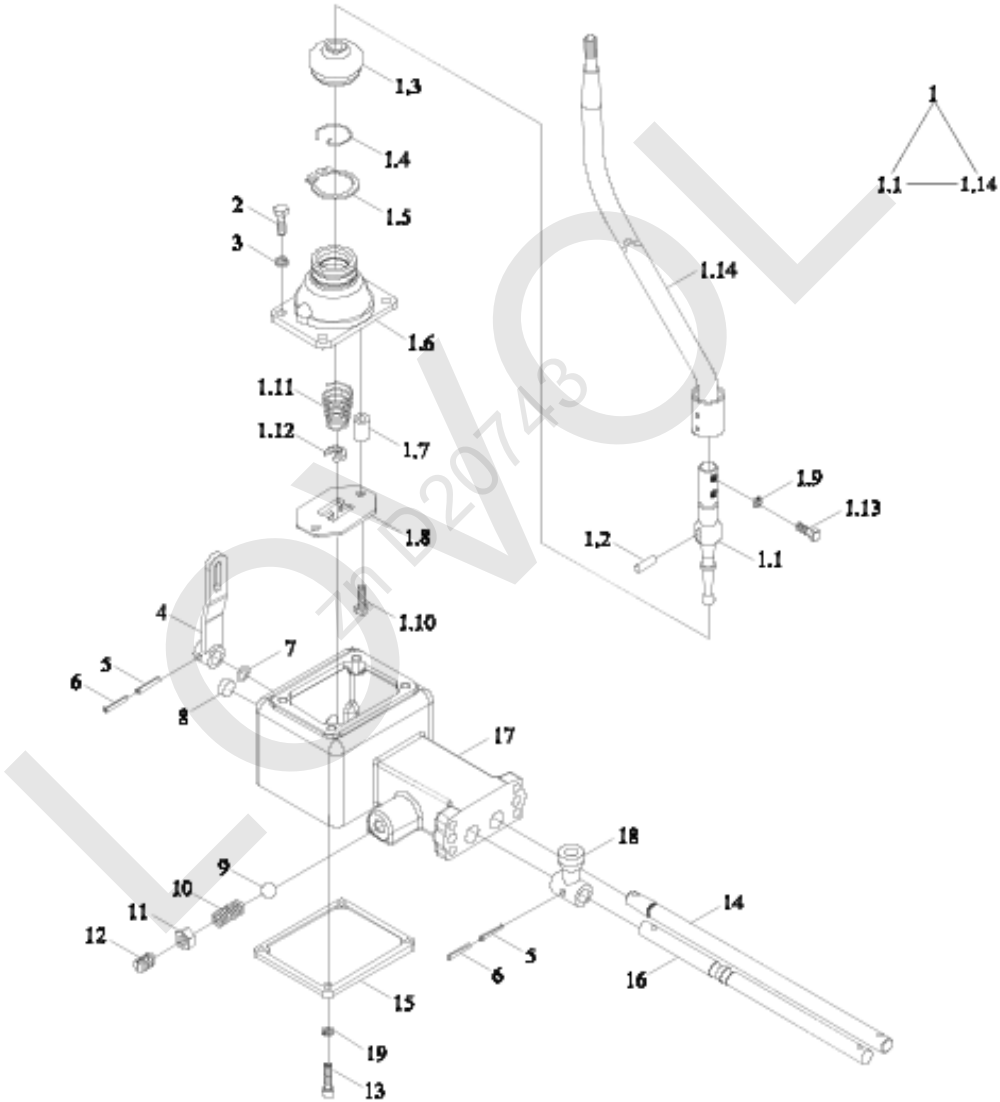
TE3S371010000K MAIN-AUXILIARY GEARSHIFT ASSEMBLY-2 (cont'd.)

No.	Part No.	Description	Version	QTY.	Remark
23	TL02371070003	LOW GEAR DRIVEN GEAR		1	
24	TL02371090011	LOW GEAR DRIVEN GEAR BUSH		1	
25	TE250.371C-02	BEARING		1	
26	TL02371120014	SMALL TAPER GEAR SHAFT		1	
27	GBT297-33206	TAPERED ROLLER BEARING-30211-J2-Q		1	

LOWVOL
zn D20743

LOWVOL
zn D20743

TE3S373010000K CONTROL MECHANISM ASSEMBLY (TRANSMISSION) -1



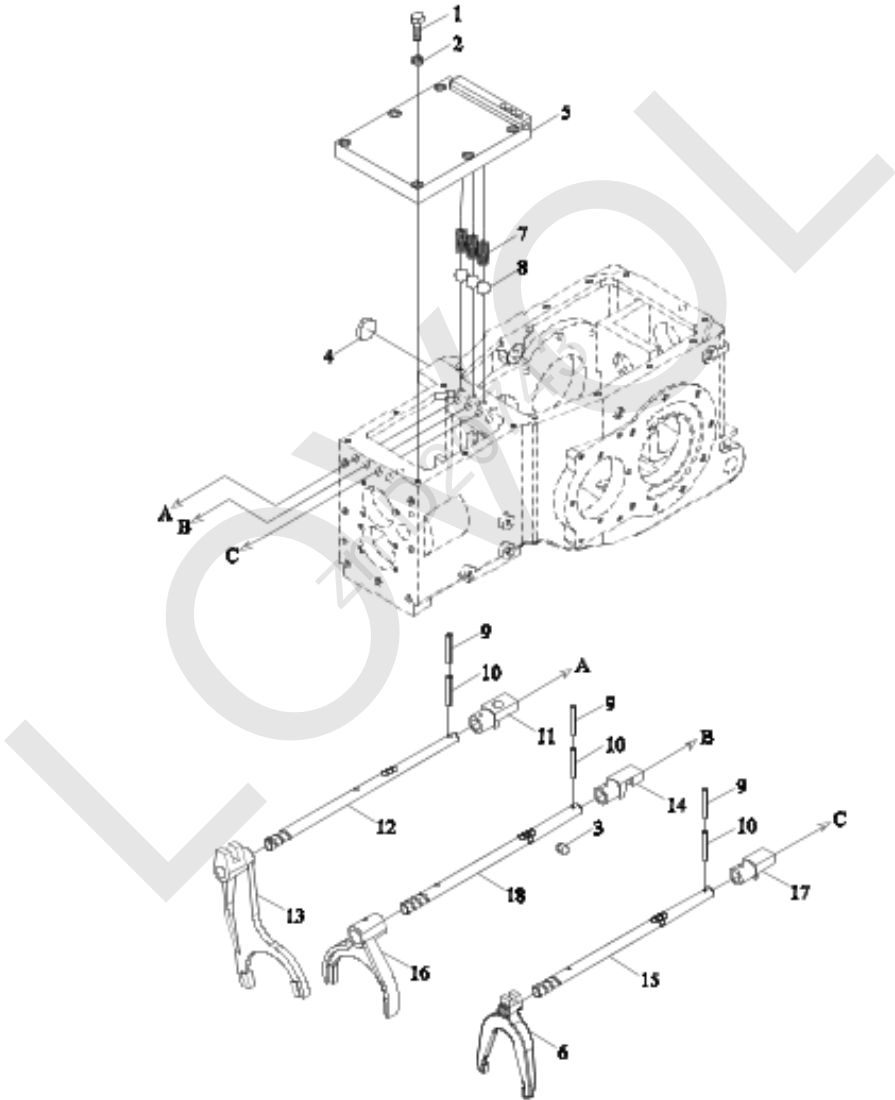
TE3S373010000K CONTROL MECHANISM ASSEMBLY (TRANSMISSION) -1

No.	Part No.	Description	Version	QTY.	Remark
	TE3S373010000K	TRANSMISSIONCASECONTROLMECHANISMASSEMBLY	003	1	
	TE2S373020001K	SIDE-MOUNTED CONTROL MECHANISM ASSEMBLY		1	
1	TE2S373020002K	MAIN GEARSHIFT CONTROL COVER ASSEMBLY		1	
1.1	TE250.373F.1.1-05	LOWER CONTROL ROD		1	
1.2	GBT119.1-6h8X40-A3L	CYLINDRICAL PIN		1	
1.3	FT800.37.138	GEARLEVER DUSTPROOF BONNET		1	
1.4	FT250.37.248	STEEL WIRE RETAINER RING		1	
1.5	GBT894.1-45	RETAINING RING FOR SHAFT		1	
1.6	FT250.37.211	MAIN GEARLEVER SEAT		1	
1.7	TE250.373F.1.1-03	PAD		2	
1.8	TE250.373F.1.1-02	GEARLEVER LOCATING PLATE		1	
1.9	GBT93-8-A3L	STANDARD SPRING WASHER		4	
1.10	GBT5782-M8X40-8.8-A2L	HEX HEAD BOLTS		2	
1.11	FT250.37.183	GEARLEVER SPRING		1	
1.12	FT300.37.164	GEARLEVER SPRING RETAINER RING		1	
1.13	GBT5783-M8X35-8.8-A2L	HEX HEAD BOLTS		2	
1.14	TE2S373020003K	MAIN GEARSHIFT UPPER CONTROL ROD WELDMENT		1	
2	GBT5783-M8X25-8.8-A2L	HEX HEAD BOLTS		4	
3	GBT93-8-A3L	STANDARD SPRING WASHER		4	
4	TL02373140005	AUXILIARY GEARSHIFT LOWER CONTROL ROCKER WELDMENT		1	
5	GBT879.1-6X24	ELASTIC CYLINDRICAL PIN		2	
6	GBT879.2-3.5X24	ELASTIC CYLINDRICAL PIN		2	

TE3S373010000K CONTROL MECHANISM ASSEMBLY (TRANSMISSION) -1 (cont'd.)

No.	Part No.	Description	Version	QTY.	Remark
7	GBT3452.1-12.5X1.80G	O-RING RUBBER SEAL FOR HYDRAULIC AND PNEUMATIC		1	
8	Q72220	PLUG PIECE		1	
9	GBT308-9.5-G200-b	STEEL BALL		1	
10	FT704.42B.163	FORK SHAFT LOCATING SPRING		1	
11	GBT6172.1-M12-04-A3L	HEXAGON THIN NUT		1	
12	GBT73-M12X25-14H-A3L	SLOTTED LOCKING SCREW		1	
13	GBT70.1-M6X20-8.8-A2L	HEXAGON SOCKET HEAD CAP SCREW		4	
14	TE250.373F.1-04	AUXILIARY GEARSHIFT CONTROL TRANSMISSION ROD		1	
15	TE250.373F.1-03	SIDE-MOUNTED CONTROL LOWER COVER		1	
16	TE250.373F.1-05	MAIN GEARSHIFT CONTROL TRANSFER ROD		1	
17	TE2S373010002K	SIDE-MOUNTED CONTROL UPPER COVER		1	
18	TL02373030012	MAIN GEARSHIFT OUTER CONTROL FORK HEAD		1	
19	GBT93-6-A3L	STANDARD SPRING WASHER		4	

TE3S373010000K CONTROL MECHANISM ASSEMBLY (TRANSMISSION) -2

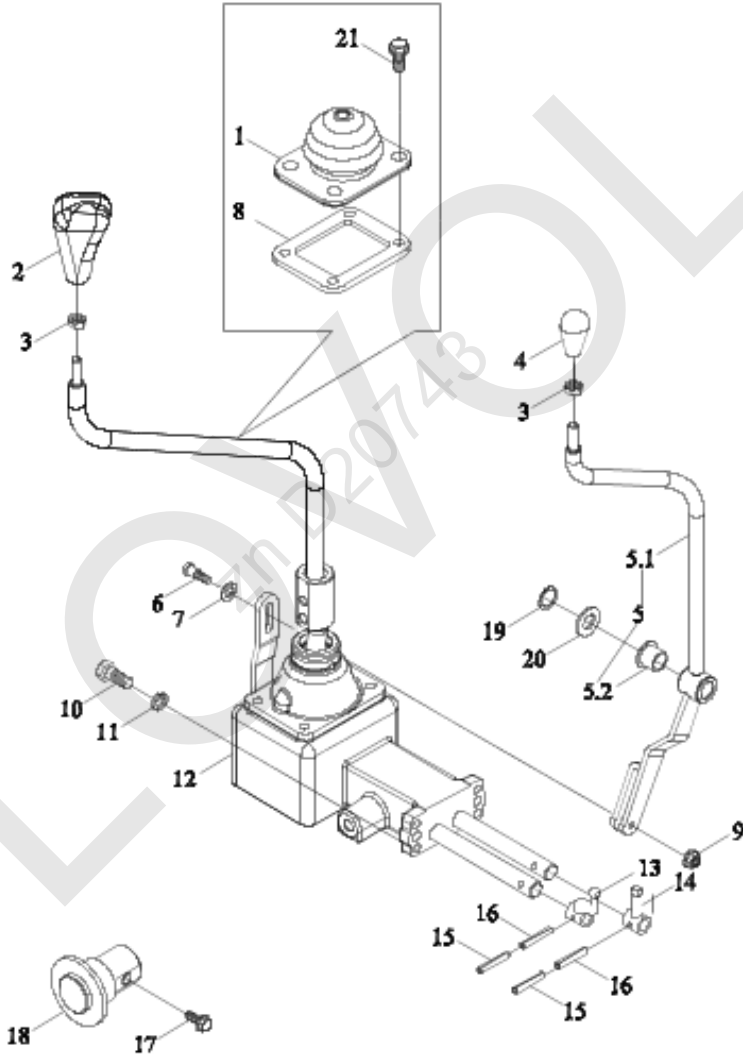


TE3S373010000K CONTROL MECHANISM ASSEMBLY (TRANSMISSION) -2

No.	Part No.	Description	Version	QTY.	Remark
	TE3S373010000K	TRANSMISSIONCASECONTROLMECHANISMASSEMBLY		1	
1	GBT5783-M8X40-8. 8-A2L	HEX HEAD BOLTS		6	
2	GBT93-8-A3L	STANDARD SPRING WASHER		10	
3	FT700. 37. 178	GEARSHIFT SHAFT INTERLOCKING PIN		1	
4	Q72214	PLUG PIECE		1	
5	TE250. 373G-01	GEARBOX COVER		1	
6	TL02373070001	I-II GEAR FORK		1	
7	TE354. 373A-01	SELF LOCKING SPRING		3	
8	GBT308-8. 731-G200-b	STEEL BALL		3	
9	GBT879. 1-3X24	ELASTIC CYLINDRICAL PIN		6	
10	GBT879. 1-5X24	ELASTIC CYLINDRICAL PIN		6	
11	TE250. 373F-11	HIGH AND LOW GEAR DIAL BLOCK		1	
12	TL02373070011	HIGH AND LOW GEAR FORK SHAFT		1	
13	TL02373060003	HIGH AND LOW GEAR FORK		1	
14	TE250. 373F-10	III-IV GEAR DIAL BLOCK		1	
15	TL02373070008	I-II GEAR FORK SHAFT		1	
16	TL02373110001	III-IV FORK		1	
17	TE250. 373F-09	I-II GEAR DIAL BLOCK		1	
18	TL02373070002	III-IV FORK SHAFT		1	

LOWVOL
zn D20743

TE3S373010000K CONTROL MECHANISM ASSEMBLY (TRANSMISSION) -3



TE3S373010000K CONTROL MECHANISM ASSEMBLY (TRANSMISSION) -3

No.	Part No.	Description	Version	QTY.	Remark
	TE3S373010000K	TRANSMISSIONCASECONTROLMECHANISMASSEMBLY		1	
1	TE3S373010005K	SHIELD		1	
2	TL02373070009	MAIN GEARSHIFT CONTROL HANDLE		1	
3	GBT6170-M10-8-A3L	TYPE 1 HEX NUT		2	
4	TE2S373020006K	AUXILIARY GEARSHIFT CONTROL HANDLE		1	
5	TE3S373010001K	AUXILIARY GEARSHIFT CONTROLLING ROD WELDMENT		1	
5.1	TE3S373010002K	AUXILIARY GEARSHIFT CONTROL ROD WELDMENT		1	
5.2	TE250.413D.2-01a	NYLON SLEEVE		2	
6	TE250.373F-13	STEP BOLT		1	
7	GBT95-8-A3L	FLAT WASHERS		1	
8	TE250.373F-12	PRESSURE PLATE		1	
9	GBT6177.1-M6-8-A2L	HEXAGON FLANGE NUT		1	
10	GBT70.1-M8X25-12.9	HEXAGON SOCKET HEAD CAP SCREW		4	
11	GBT93-8-A3L	STANDARD SPRING WASHER		10	
12	TE2S373020001K	SIDE-MOUNTED CONTROL MECHANISM ASSEMBLY		1	
13	TE250.373F-02	MAIN GEARSHIFT CONTROL INNER FORK HEAD		1	
14	TE250.373F-03	AUXILIARY GEARSHIFT CONTROL INNER DIAL HEAD		1	
15	GBT879.2-3.5X24	ELASTIC CYLINDRICAL PIN		2	
16	GBT879.1-6X24	ELASTIC CYLINDRICAL PIN		2	
17	GBT16674.1-M10X30-8.8-A3L	HEX FLANGE BOLTS		1	
18	TE3C373060005	ROTARY SHAFT WELDMENT		1	
19	GBT894.1-18	RETAINING RING FOR SHAFT		1	

TE3S373010000K CONTROL MECHANISM ASSEMBLY (TRANSMISSION) -3 (cont'd.)

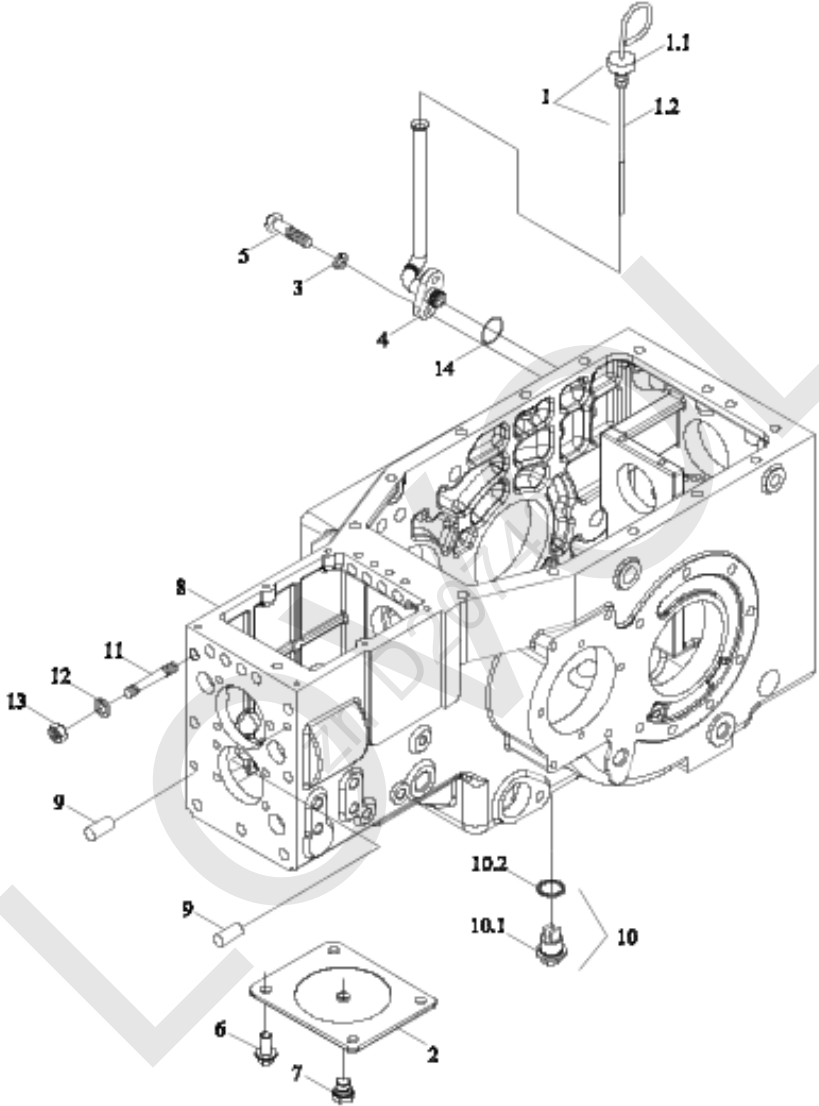
No.	Part No.	Description	Version	QTY.	Remark
20	GBT97. 1-18-A3L	FLAT WASHERS		1	
21	GBT16674. 1-M5X20-8. 8-A2L	HEX FLANGE BOLTS		4	

LOWELOW
zn D20743

LOWVOL
zn D20743

TE3S374020000K HOUSING (TRANSMISSION)

LOWVOL
zn D20743

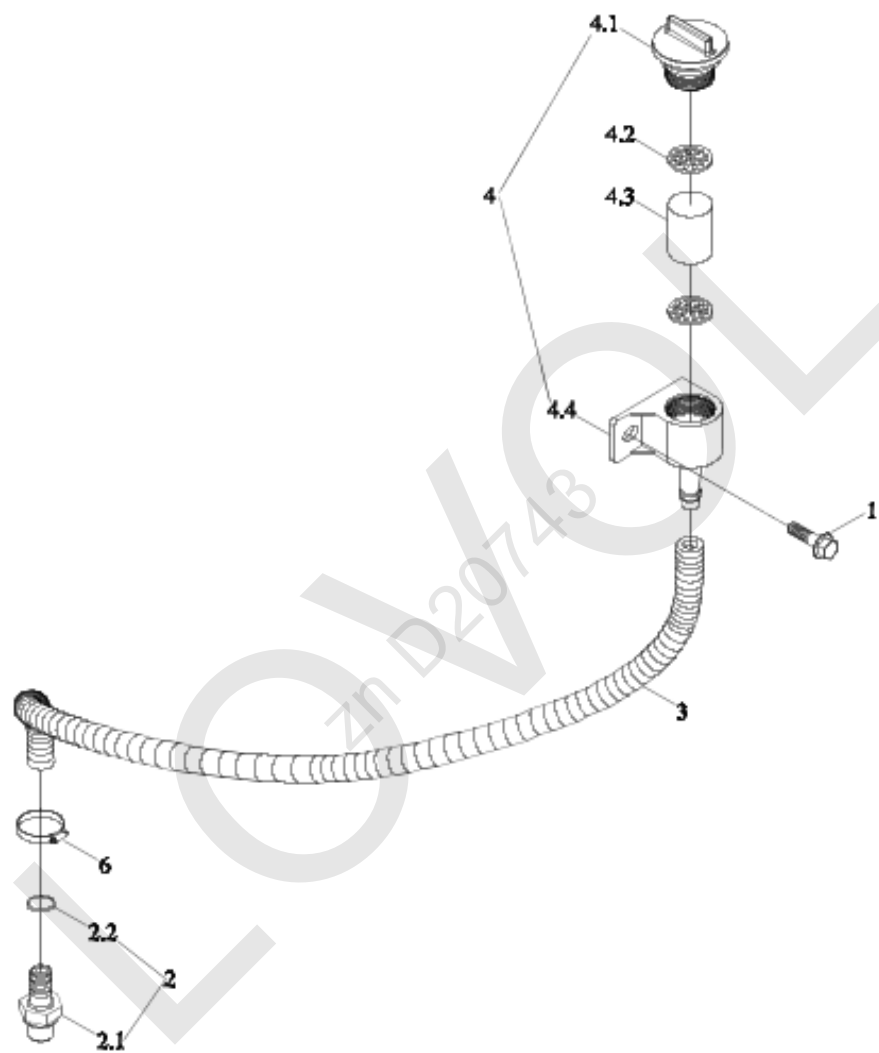


TE3S374020000K HOUSING (TRANSMISSION)

No.	Part No.	Description	Version	QTY.	Remark
	TE3S374020000K	TRANSMISSION CASE SHELL ASSEMBLY	001	1	
1	TB604.384.4	DIPSTICK ASSEMBLY		1	
1.1	TB604.384.4-03	RUBBER SEAT		1	
1.2	TB604.384.4-02	DIPSTICK		1	
2	TE3S374010002K	TRANSFER CASE BLOCK COVER		1	
3	GBT93-8-A3L	STANDARD SPRING WASHER		2	
4	TE3S374020002K	OIL DIPSTICK PIPE WELDMENT		1	
5	GBT70.1-M8X25-8.8-A2L	HEXAGON SOCKET HEAD CAP SCREW		2	
6	GBT16674.1-M12X25-8.8-A3L	HEX FLANGE BOLTS		4	
7	GBT2878.4-M16-PLH-A3L-NBR	PLUG		1	
8	TE3S374020001K	TRANSMISSION CASE SHELL		1	
9	GBT119.1-10m6X26-A3L	CYLINDRICAL PIN		4	
10	TC05372020034	OIL PLUG ASSEMBLY		1	
10.1	TS09580010011	O-RING		1	
10.2	TC05372020033	OIL PLUG COMBINATION		1	
11	GBT898-AM14-M14X1.5X40-8.8-A3L	STUD		7	
12	GBT93-14-A3L	STANDARD SPRING WASHER		7	
13	GBT6171-M14X1.5-8-A3L	TYPE 1 HEX NUT		7	
14	GBT3452.1-15.5X2.65G	O-RING RUBBER SEAL FOR HYDRAULIC AND PNEUMATIC		1	

TE3S375010000K BREATHING APPARATUS

LOWVOL
zn D20743

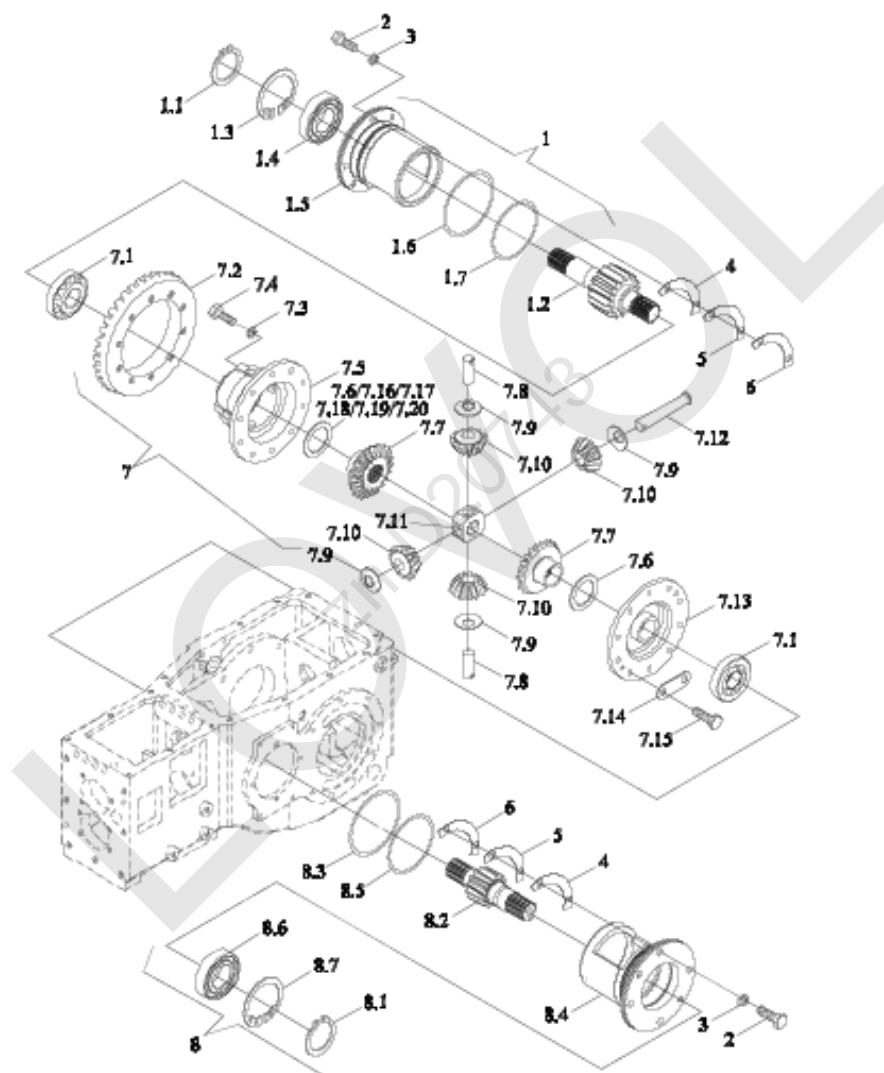


TE3S375010000K BREATHING APPARATUS

No.	Part No.	Description	Version	QTY.	Remark
	TE3S375010000K	BREATH ASSEMBLY	001	1	
1	GBT5789-M8X16-8. 8-A2L	HEX FLANGE BOLTS		1	
2	TC03375010001	BREATH JOINT		1	
2.1	TC03375010002	BREATH JOINT		1	
2.2	TS09580010004	O-RING		1	
3	TL02375020001	BREATHING HOSE		1	
4	TS17385010002	BREATHER		1	
4.1	TS17385010004	BREATH COVER		1	
4.2	TS17385010005	BASE PLATE		2	
4.3	TS17385010006	BREATH FILTER ELEMENT		1	
4.4	TS17385010003	BREATHER		1	
5	3203505D9-L	CABLE TIE		1	
6	Q67522	A TYPE WORM DRIVE TYPE HOSE HOOP		2	

LOWVOL
zn D20743

TE3C382020000 MAIN REDUCER (TRANSMISSION BOX) -1



TE3C382020000 MAIN REDUCER (TRANSMISSION BOX) -1

No.	Part No.	Description	Version	QTY.	Remark
	TE3C382020000	REAR CENTRAL ASSEMBLY OF TRANSMISSION CASE	003	1	
1	TE3C372100002	RIGHT SHORT HALF SHAFT ASSEMBLY		1	
1.1	GBT894.1-35	RETAINING RING FOR SHAFT		1	
1.2	TE3C372100003	FINAL TRANSMISSION DRIVING GEAR		1	
1.3	GBT893.1-80	RETAINING RING FOR HOLE		1	
1.4	GBT283-NUP307E	COLUMN ROLLER BEARING		1	
1.5	TE3C372010006	RIGHT BEARING SEAT		1	
1.6	GBT3452.1-142.5X3.55G	O-RING RUBBER SEAL FOR HYDRAULIC AND PNEUMATIC		1	
1.7	GBT3452.1-103X3.55G	O-RING RUBBER SEAL FOR HYDRAULIC AND PNEUMATIC		1	
2	GBT5783-M10X30-8.8-A3L	HEX HEAD BOLTS		8	
3	GBT93-10-A3L	STANDARD SPRING WASHER		8	
4	FT250.37.204	ADJUSTING WASHER		1	
5	FT250.37.205	ADJUSTING WASHER		1	
6	FT250.37.206	ADJUSTING WASHER		1	
7	TL02372070002	DIFFERENTIAL ASSEMBLY		1	
7.1	GBT297-32011	TAPERED ROLLER BEARING-30211-J2-Q		2	
7.2	TL02372070001	DRIVEN SPIRAL BEVEL GEAR		1	
7.3	GBT93-8-A3L	STANDARD SPRING WASHER		3	
7.4	FT250.37.201	FIXING SCREW		3	
7.5	TE300.372.2-05	DIFFERENTIAL COVER		1	
7.6	FT250.37.203	SPACER		1	

TE3C382020000 MAIN REDUCER (TRANSMISSION BOX)-1 (cont'd.)

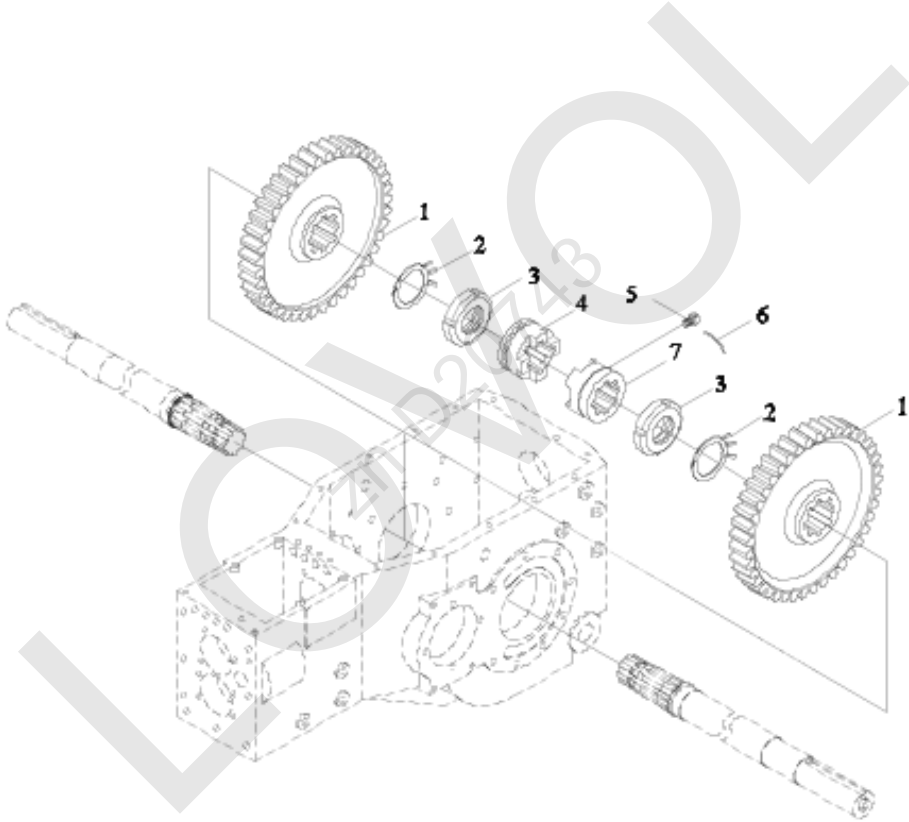
No.	Part No.	Description	Version	QTY.	Remark
7.7	FT250.37.202	SIDE GEAR		2	
7.8	TE300.372.2-09	SHORT PLANETARY GEAR SHAFT		2	
7.9	FT250.37.199	PLANETARY HOUSING PAD		4	
7.10	FT250.37.200	PLANETARY GEAR		4	
7.11	TE300.372.2-08	CENTRAL RING		1	
7.12	FT250.37.198	PLANET GEAR SHAFT		1	
7.13	TE300.372.2-06	DIFFERENTIAL PRESS COVER		1	
7.14	TE300.372.2-03	LOCK WASHER		5	
7.15	GBT5786-M10X1.25X35-8.8-A2L	HEX HEAD BOLTS		10	
7.16	FT250.37.332	SPACER		1	
7.17	FT250.37.333	SPACER		1	
7.18	FT250.37.334	SPACER		1	
7.19	FT250.37.335	SPACER		1	
7.20	FT250.37.336	SPACER		1	
8	TE3C372100001	LEFT SHORT HALF SHAFT ASSEMBLY		1	
8.1	GBT894.1-35	RETAINING RING FOR SHAFT		1	
8.2	TE3C372100003	FINAL TRANSMISSION DRIVING GEAR		1	
8.3	GBT3452.1-142.5X3.55G	O-RING RUBBER SEAL FOR HYDRAULIC AND PNEUMATIC		1	
8.4	TE3C372010005	LEFT BEARING SEAT		1	
8.5	GBT3452.1-103X3.55G	O-RING RUBBER SEAL FOR HYDRAULIC AND PNEUMATIC		1	

TE3C382020000 MAIN REDUCER (TRANSMISSION BOX)-1 (cont'd.)

No.	Part No.	Description	Version	QTY.	Remark
8.6	GBT283-NUP307E	COLUMN ROLLER BEARING		1	
8.7	GBT893.1-80	RETAINING RING FOR HOLE		2	

LOWELOW
zn D20743

TE3C382020000 MAIN REDUCER (TRANSMISSION BOX) -2



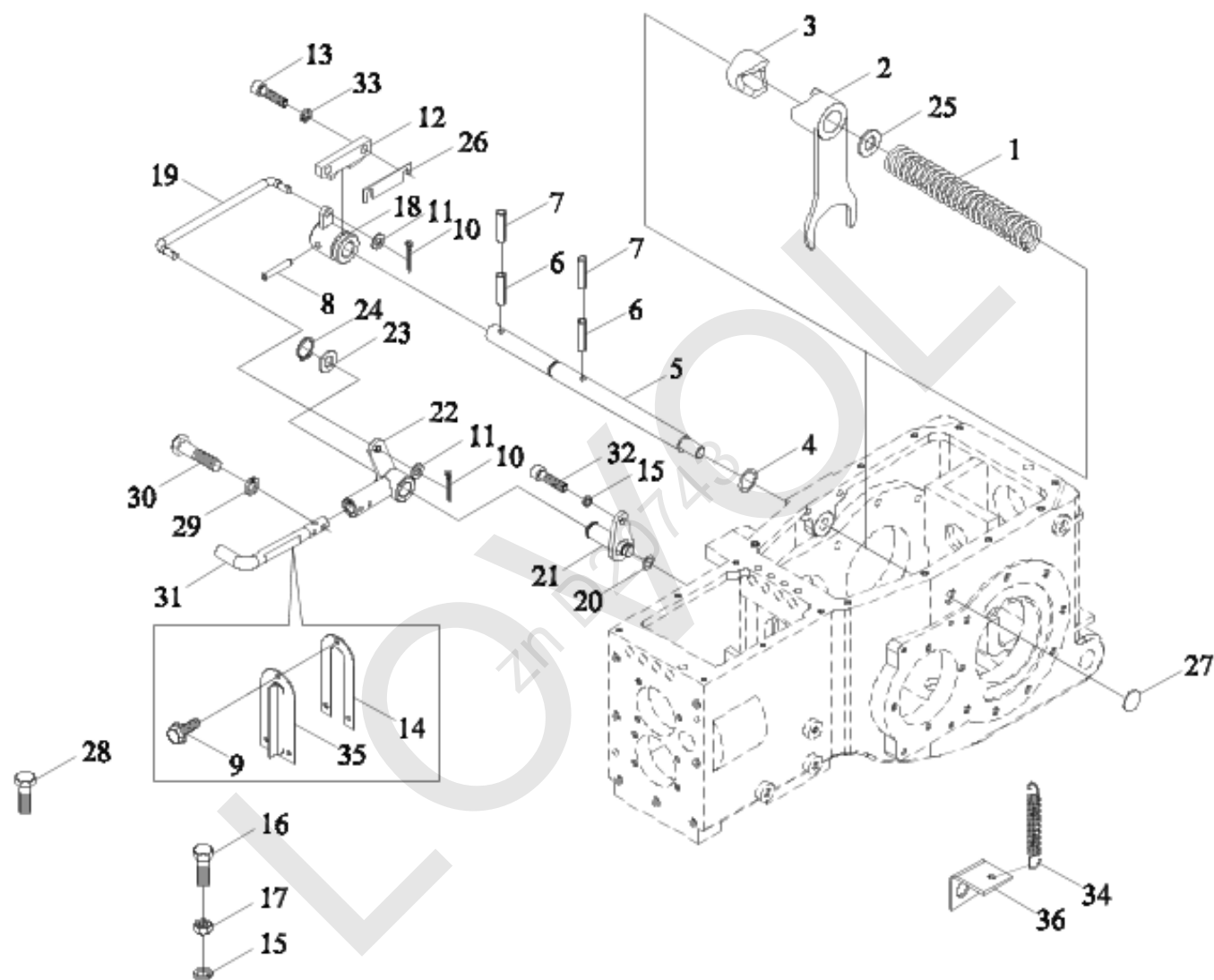
TE3C382020000 MAIN REDUCER (TRANSMISSION BOX) -2

No.	Part No.	Description	Version	QTY.	Remark
	TE3C382020000	REAR CENTRAL ASSEMBLY OF TRANSMISSION CASE		1	
1	TS02372020006a	FINAL TRANSMISSION DRIVEN GEAR		2	
2	GBT858-52	TAB WASHER FOR ROUND NUT		2	
3	GBT812-M52X1.5	ROUND NUT		2	
4	TE300.372-05	RIGHT JAW		1	
5	FT250.37.264	LOCKING NUT		1	
6	TE250.212-05	LOW CARBON STEEL WIRE		1	
7	TE300.372-04	LEFT JAW		1	

LOWVOL
zn D20743

TE3S383010000K CONTROL MECHANISM ASSEMBLY (DIFFERENTIAL)

LOWVOL
zn D20743



TE3S383010000K CONTROL MECHANISM ASSEMBLY (DIFFERENTIAL)

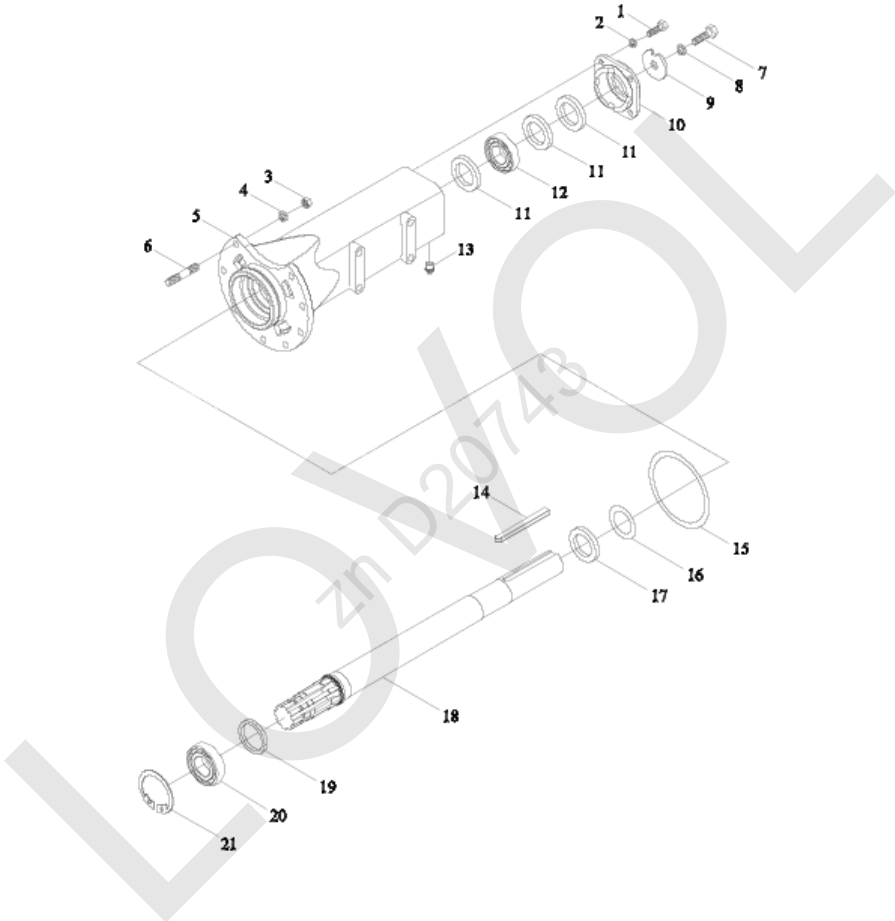
No.	Part No.	Description	Version	QTY.	Remark
	TE3S383010000K	DIFFERENTIAL LOCK CONTROL MECHANISM ASSEMBLY	001	1	
1	FT250. 37. 263	DIFFERENTIAL LOCK SPRING		1	
2	TE2S372010002K	DIFFERENTIAL LOCK FORK		1	
3	TE250. 372F-05	DIFFERENTIAL LOCK DIAL BLOCK		1	
4	GBT3452. 1-15. 5X2. 65G	O-RING RUBBER SEAL FOR HYDRAULIC AND PNEUMATIC		1	
5	TE2S372010003K	DIFFERENTIAL LOCK FORK SHAFT		1	
6	GBT879. 1-8X40-A3L	ELASTIC CYLINDRICAL PIN		1	
7	GBT879. 1-5X40-A3L	ELASTIC CYLINDRICAL PIN		1	
8	GBT879. 3-8X35	ELASTIC CYLINDRICAL PIN		1	
9	GBT16674. 1-M6X16-8. 8-A2L	HEX FLANGE BOLTS		3	
10	GBT91-3. 2X16-A3L	COTTER PIN		2	
11	GBT97. 1-8-A3L	FLAT WASHERS		2	
12	TE250. 372F-02	BEZEL		1	
13	GBT70. 1-M10X25-8. 8-A3L	HEXAGON SOCKET HEAD CAP SCREW		2	
14	TL02372050006	SEAL SLEEVE PRESSURE PLATE		1	
15	GBT93-8-A3L	STANDARD SPRING WASHER		2	
16	GBT5783-M8X35-8. 8-A2L	HEX HEAD BOLTS		1	
17	GBT6170-M8-8-A2L	TYPE 1 HEX NUT		1	
18	TE250. 372F. 3	DIFFERENTIAL LOCK FORK SHAFT STEERING HUB WELDMENT		1	
19	TE2S372010004K	CONTROL ROD		1	
20	GBT3452. 1-11. 8X1. 80G	O-RING RUBBER SEAL FOR HYDRAULIC AND PNEUMATIC		1	

TE3S383010000K CONTROL MECHANISM ASSEMBLY (DIFFERENTIAL) (cont'd.)

No.	Part No.	Description	Version	QTY.	Remark
21	TE250.372F.2	DIFFERENTIAL LOCK STEERING HUB SHAFT WELDMENT		1	
22	TE2C383030003	WELDED STEP		1	
23	GBT97.1-20-A3L	FLAT WASHERS		1	
24	GBT894.1-20	RETAINING RING FOR SHAFT		1	
25	GBT97.1-16-A3L	FLAT WASHERS		1	
26	TE250.372F-18	ADJUSTING WASHER		1	
27	Q72220	PLUG PIECE		1	
28	GBT5783-M10X30-8.8-A3L	HEX HEAD BOLTS		8	
29	GBT93-6-A3L	STANDARD SPRING WASHER		2	
30	GBT5783-M6X20-8.8-A2L	HEXAGON BOLT		2	
31	TL02372050010	DIFFERENTIAL LOCK PEDAL LEVER		1	
32	GBT70.1-M8X20-8.8-A2L	HEXAGON SOCKET HEAD CAP SCREW		1	
33	GBT93-10-A3L	STANDARD SPRING WASHER		10	
34	TE2S372010001K	SPRING BRACKET		1	
35	TL02372050005	GLAND		1	
36	TE250.372B-03	SPRING		1	

TE2S391010000K HALF SHAFT-LEFT

LOWVOL
zn D20743



TE2S391010000K HALF SHAFT-LEFT

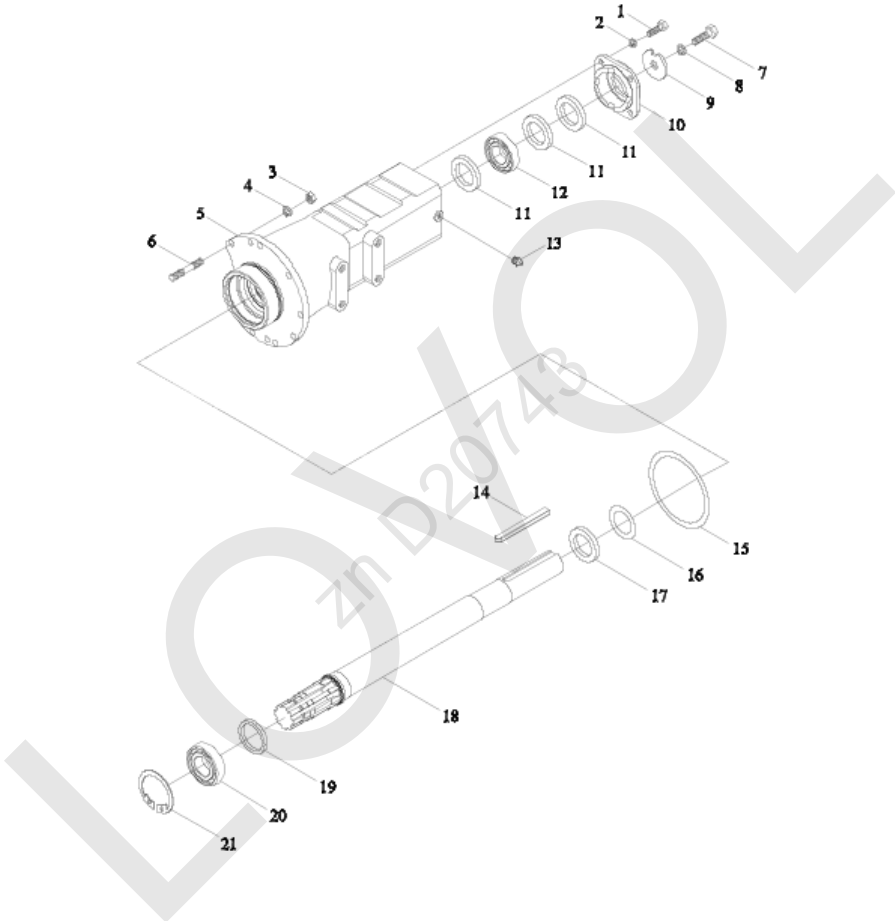
序号	零件图号	零件名称	版本	数量	备注
	TE2S391010000K	左半轴总成		1	
1	GBT5783-M10X25-8.8-A3L	六角头螺栓		4	
2	GBT93-10-A3L	标准型弹簧垫圈		4	
3	GBT6171-M12X1.25-10-A2L	1型六角螺母		8	
4	GBT93-12-A3L	标准型弹簧垫圈		8	
5	TE2S391010001K	左驱动轴套管		1	
6	GBT899-AM12-M12X1.25X35-10.9-A 3L	双头螺柱		8	
7	GBT5783-M16X35-8.8-A3L	六角头螺栓		1	
8	GBT93-16-A3L	标准型弹簧垫圈		1	
9	FT250.37.216	挡圈		1	
10	FT250.37.214	驱动轴轴承盖		1	
11	GBT9877.1-FB50X72X8D	内包骨架旋转轴唇形密封圈		3	
12	GBT276-6210	深沟球轴承		1	
13	JBT7940.1-M10X1	直通式压注油杯		1	
14	FT250.37.215	平键		1	
15	GBT3452.1-112X3.55G	液压气动用O形橡胶密封圈		1	
16	FT250.37.242	油封隔圈		1	
17	GBT9877.1-FB55X75X8D	内包骨架旋转轴唇形密封圈		1	
18	TE300.391-01	驱动轴		1	
19	FT250.37.218	轴承挡圈		1	

TE2S391010000K HALF SHAFT-LEFT (cont'd.)

序号	零件图号	零件名称	版本	数量	备注
20	GBT276-6211	深沟球轴承		1	
21	GBT893.1-100	孔用弹性挡圈		1	

TE2S392010000K HALF SHAFT-RIGHT

LOWLOL
zn D20743



TE2S392010000K HALF SHAFT-RIGHT

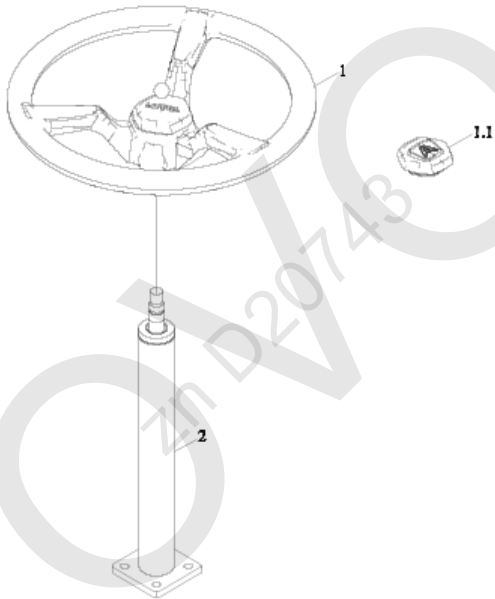
序号	零件图号	零件名称	版本	数量	备注
	TE2S392010000K	右半轴总成		1	
1	GBT5783-M10X25-8.8-A3L	六角头螺栓		4	
2	GBT93-10-A3L	标准型弹簧垫圈		4	
3	GBT6171-M12X1.25-10-A2L	1型六角螺母		8	
4	GBT93-12-A3L	标准型弹簧垫圈		8	
5	TE2S392010001K	右驱动轴套管		1	
6	GBT899-AM12-M12X1.25X35-10.9-A 3L	双头螺柱		8	
7	GBT5783-M16X35-8.8-A3L	六角头螺栓		1	
8	GBT93-16-A3L	标准型弹簧垫圈		1	
9	FT250.37.216	挡圈		1	
10	FT250.37.214	驱动轴轴承盖		1	
11	GBT9877.1-FB50X72X8D	内包骨架旋转轴唇形密封圈		3	
12	GBT276-6210	深沟球轴承		1	
13	JBT7940.1-M10X1	直通式压注油杯		1	
14	FT250.37.215	平键		1	
15	GBT3452.1-112X3.55G	液压气动用O形橡胶密封圈		1	
16	FT250.37.242	油封隔圈		1	
17	GBT9877.1-FB55X75X8D	内包骨架旋转轴唇形密封圈		1	
18	TE300.391-01	驱动轴		1	
19	FT250.37.218	轴承挡圈		1	

TE2S392010000K HALF SHAFT-RIGHT (cont'd.)

序号	零件图号	零件名称	版本	数量	备注
20	GBT276-6211	深沟球轴承		1	
21	GBT893.1-100	孔用弹性挡圈		1	

TE2S401020000K STEERING WHEEL AND STEERING COLUMN ASSEMBLY

LOWVOL
zn D20743

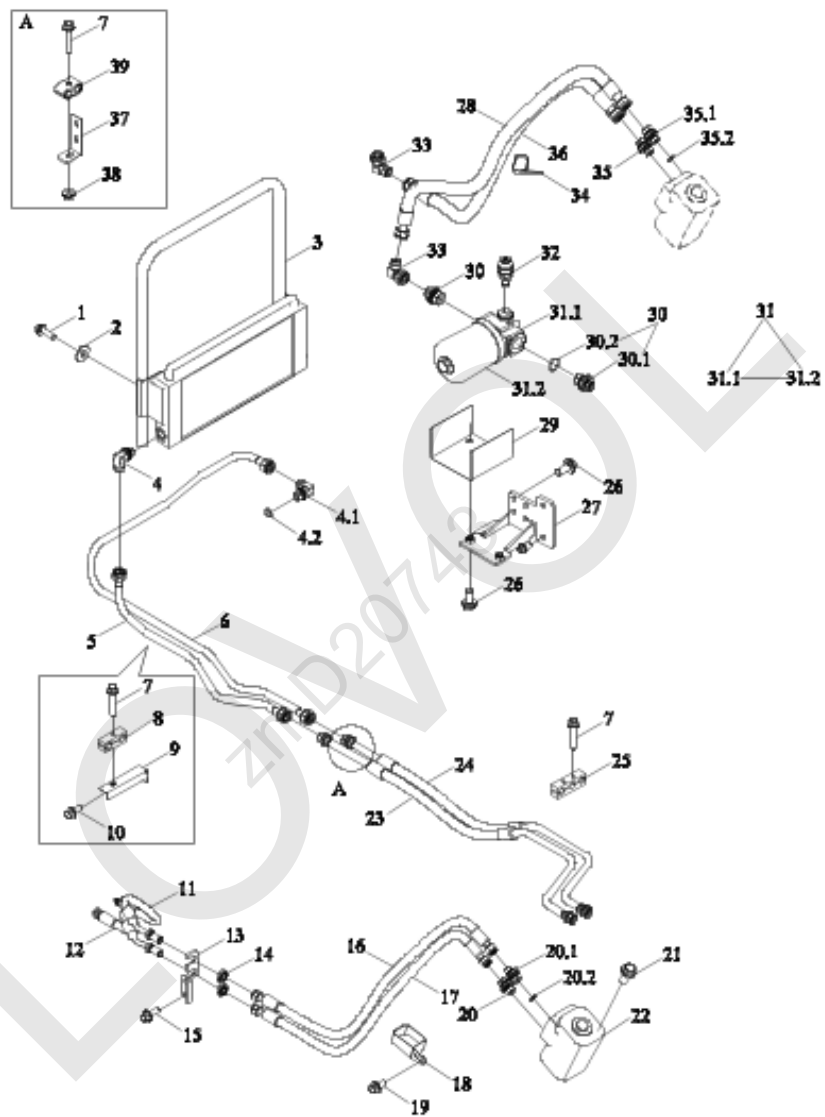


TE2S401020000K STEERING WHEEL AND STEERING COLUMN ASSEMBLY

No.	Part No.	Description	Version	QTY.	Remark
	TE2S401020000K	STEERING PLATE AND STEERING PIPE COLUMN ASSEMBLY		1	
1	TY1S401010008K	STEERING WHEEL ASSEMBLY		1	
1.1	TY1S401010006K	COVER OF STEERING WHEEL		1	
2	TE2S401010005K	STEERING PIPE COLUMN ASSEMBLY		1	

TE3S402010000K STEERING PIPE ASSEMBLY

LOWVOL
zn D20743



TE3S402010000K STEERING PIPE ASSEMBLY

No.	Part No.	Description	Version	QTY.	Remark
	TE3S402010000K	FULL HYDRAULIC STEERING PIPE ASSEMBLY	003	1	
1	GBT16674. 1-M8X25-8. 8-A2L	HEX FLANGE BOLTS		4	
2	GBT96. 1-8-A3L	LARGE WASHER		4	
3	TE3S402010001K	HYDRAULIC OIL RADIATOR ASSEMBLY		1	
4	TC04582140012	CONNECTING JOINT M18-15		2	
4.1	GBT3738-L15	JOINT		1	
4.2	TS09580010006	O-RING 15. 3X2. 2-M18X1. 5		1	
5	TE3S402010005K	Radiator inlet tubing Assembly 2		1	
6	TE3S402010004K	RADIATOR OIL OUTLET PIPE ASSEMBLY 1		1	
7	GBT16674. 1-M8X40-8. 8-A2L	HEX FLANGE BOLTS		4	
8	TS08402040048	DOUBLE HOLE PIPE CLAMP		2	
9	TE3S402010007K	OIL PIPE SUPPORT		1	
10	GBT16674. 1-M8X16-8. 8-A2L	HEX FLANGE BOLTS		3	
11	TE3S402010020K	Steering tubing 1		1	
12	TE3S402010021K	Steering tubing 2		1	
13	TE3S402010019K	OIL PIPE BRACKET		1	
14	GBT6173-M16X1. 5-05-A3L	HEXAGON THIN NUT		2	
15	GBT16674. 1-M8X20-8. 8-A2L	HEX FLANGE BOLTS		2	
16	TE3S402010016K	HIGH PRESSURE HOSE ASSEMBLY		1	
17	TE3S402010027K	HIGH PRESSURE HOSE ASSEMBLY		1	
18	TS04402030020K	OIL PIPE CLAMP AND RUBBER WASHER		2	
19	GBT16674. 1-M8X16-8. 8-A2A	HEX FLANGE BOLTS		1	
20	TS12402050005	JOINT BODY		2	

TE3S402010000K STEERING PIPE ASSEMBLY (cont'd.)

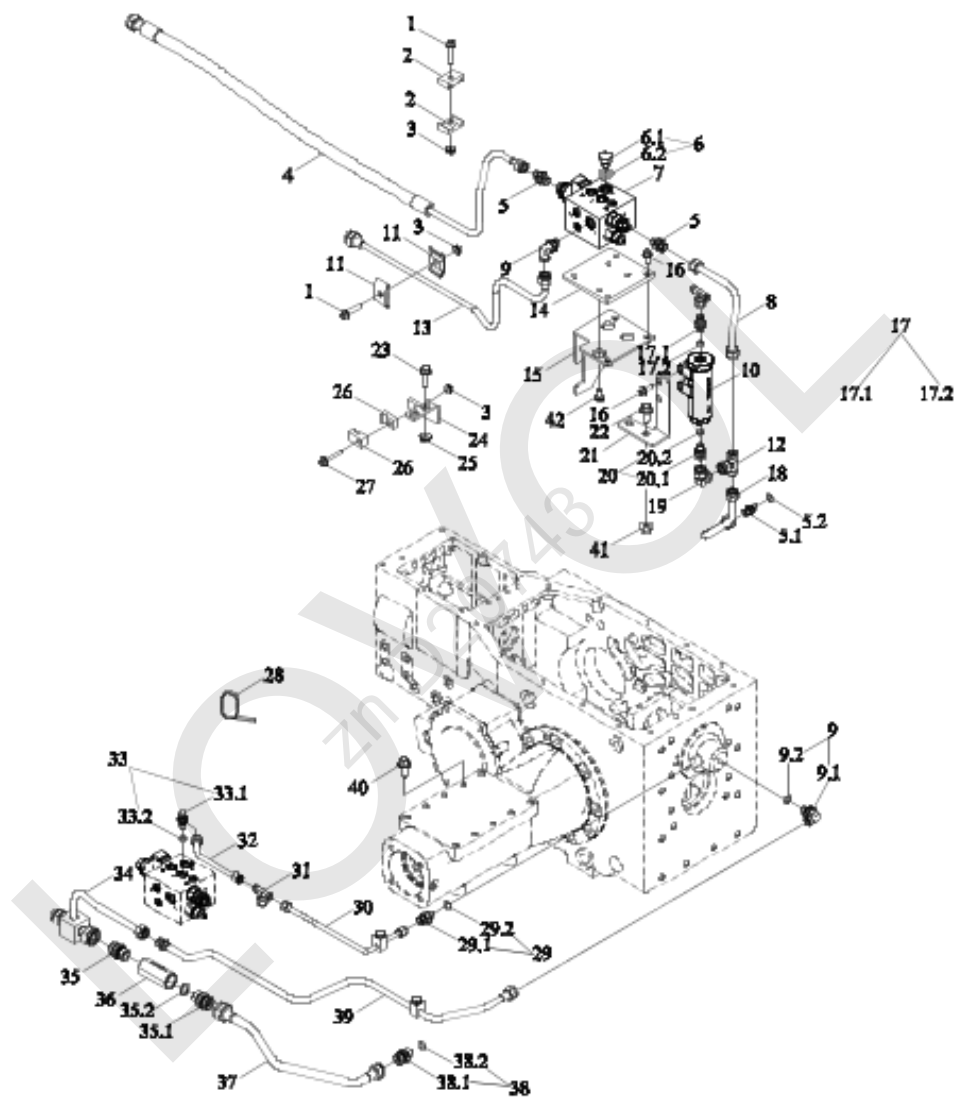
No.	Part No.	Description	Version	QTY.	Remark
20.1	TS12402010031	JOINT BODYM20-10		1	
20.2	TS09580010007	O-RING 17.3X2.2-M20X1.5		1	
21	GBT16674.1-M10X25-8.8-A2L	HEX FLANGE BOLTS		4	
22	TB1S401010002K	HYDRAULIC STEERING MECHANISM ASSEMBLY		1	
23	TE3S402010002K	RADIATOR OIL OUTLET PIPE ASSEMBLY 2		1	
24	TE3S402010003K	Radiator inlet tubing Assembly 1		1	
25	TE3S402010012K	Three-hole clamp 15-15-15		2	
26	GBT16674.1-M10X20-8.8-A2L	HEX FLANGE BOLTS		8	
27	TE3S402010022K	HIGH PRESSURE FILTER BRACKET ASSEMBLY		1	
28	TE3S402010018K	OIL RETURN TUBE ASSEMBLY		1	
29	TE2L581030017K	FILTER BONNET		1	
30	TY1S403010024K	STRAIGHT PIPE JOINT BODY M27X2-15		2	
30.1	TY1S403010023K	STRAIGHT THROUGH PIPE JOINT		1	
30.2	TS09580010009	O-RING 23.6X2.9-M27X2		1	
31	TB1S402010021K	FILTER ASSEMBLY		1	
31.1	TB1S402010025K	FILTER SEAT		1	
31.2	TB1S402010022K	FILTER ELEMENT		1	
32	TB1S402010033K	PRESSURE ALARM TRANSMITTER		1	
33	GBT3754-L15	JOINT		2	
34	Q67407200	PLASTIC FASTENING STRIP		1	
35	TC03402010002	JOINT BODY		2	
35.1	TS12402010003	JOINT BODYM20-15		1	

TE3S402010000K STEERING PIPE ASSEMBLY (cont'd.)

No.	Part No.	Description	Version	QTY.	Remark
35.2	TS09580010007	O-RING 17.3X2.2-M20X1.5		1	
36	TE3S402010014K	OIL INLET HOSE ASSEMBLY		1	
37	TE3S402010009K	OIL PIPE SUPPORT		1	
38	GBT6177.1-M8-8-A2L	HEXAGON FLANGE NUT		1	
39	TE3S402010026K	FIXATION CLAMP		1	

TE3S403010000K CONTROL PIPE ASSEMBLY (LOW PRESSURE)

LOWVOL
zn D20743



TE3S403010000K CONTROL PIPE ASSEMBLY (LOW PRESSURE)

No.	Part No.	Description	Version	QTY.	Remark
	TE3S403010000K	LOW PRESSURE CONTROL PIPE ASSEMBLY	002	1	
1	GBT16674. 1-M8X40-8. 8-A2L	HEX FLANGE BOLTS		2	
2	TL02402280013	DOUBLE-HOLE PIPE CLIP		2	
3	GBT6177. 1-M8-8-A2L	HEXAGON FLANGE NUT		3	
4	TE3S403010010K	ELEC. VALVE OIL INLET HOSE ASSEMBLY		1	
5	GV04701010039	END STRAIGHT THREAD CONNECTOR BODY 16-18		3	
5.1	GBT3733-L12	STRAIGHT THREAD JOINT		1	
5.2	TS09580010005	O-RING		1	
6	TS08581020021	OIL DISCHARGING SCREW PLUG		1	
6.1	FT65. 50. 226	OIL DRAIN PLUG		1	
6.2	TS09580010005	O-RING		1	
7	TE2S403010024K	CONTROL VALVE		1	
8	TE3S403010024K	OIL RETURN STEEL PIPE ASSEMBLY		1	
9	GL06701050023	CONNECTING JOINT L12		2	
9.1	GBT3738-L12	JOINT		1	
9.2	TS09580010005	O-RING		1	
10	TB1S403010018K	BUFFER VALVE		1	
11	TC04550170003	OIL PIPE CLAMP AND RUBBER WASHER		2	
12	GBT3755-L12	CONNECTING JOINT		1	
13	TE3S403010009K	Radiator inlet tubing Assembly 1		1	
14	TE2S403010022K	INSTALLATION BRACKET		1	
15	TE3S403010015K	BRACKET WELDMENT		1	
16	GBT16674. 1-M8X20-8. 8-A2L	HEX FLANGE BOLTS		5	

TE3S403010000K CONTROL PIPE ASSEMBLY (LOW PRESSURE) (cont'd.)

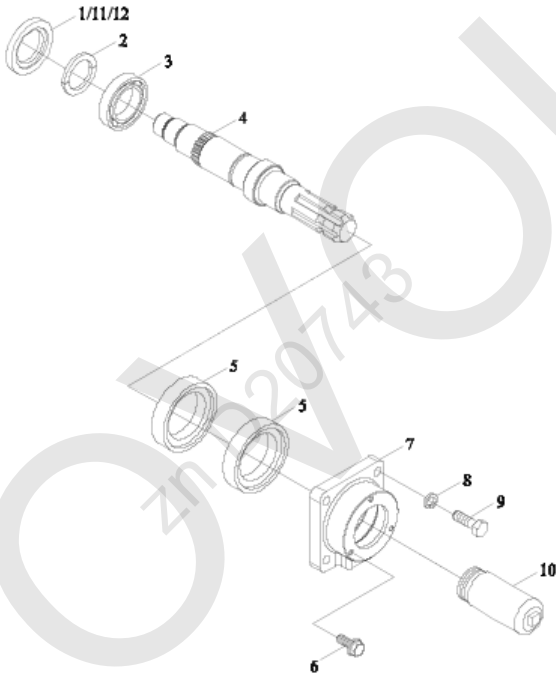
No.	Part No.	Description	Version	QTY.	Remark
17	DV01603050003	CONNECTING JOINT		1	
17.1	DV01603050004	CONNECTOR		1	
17.2	TS09580010004	O-RING		1	
18	TE3S403010023K	OIL PIPE		1	
19	GBT3754-L12	JOINT		1	
20	GL04701040005	CONNECTING JOINT		1	
20.1	GL04701040006	END STRAIGHT THREAD CONNECTOR BODY		1	
20.2	TS09580010004	O-RING		1	
21	TE3S403010026K	BRACKET		1	
22	GBT16674. 1-M12X25-8. 8-A3L	HEX FLANGE BOLTS		2	
23	GBT16674. 1-M10X30-8. 8-A3L	HEX FLANGE BOLTS		2	
24	TE3S403010020K	OIL PIPE BRACKET		1	
25	GBT6177. 1-M10-8-A3L	HEXAGON FLANGE NUT		2	
26	TG1654. 402-07	SINGLE HOLE PIPE CLAMP		2	
27	GBT16674. 1-M8X45-8. 8-A2L	HEX FLANGE BOLTS		1	
28	Q67407200	PLASTIC FASTENING STRIP		1	
29	TH02372010099	END STRAIGHT THREAD CONNECTOR BODY		1	
29.1	GBT3733-L8	STRAIGHT THREAD JOINT		1	
29.2	TS09580010003	O-RING 9. 3X2. 2-M12X1. 5		1	
30	TE3S403010022K	PTO OIL INLET STEEL PIPE ASSEMBLY		1	
31	GBT3755-L8	CONNECTING JOINT		1	
32	TE3S403010021K	OIL OUTLET PIPE ASSEMBLY		1	

TE3S403010000K CONTROL PIPE ASSEMBLY (LOW PRESSURE) (cont'd.)

No.	Part No.	Description	Version	QTY.	Remark
33	TB1S403010015K	ADJUSTABLE JOINT M12-8		1	
33.1	GBT3738-L8	JOINT		1	
33.2	TS09580010003	O-RING 9. 3X2. 2-M12X1. 5		1	
34	TE3S403010012K	Back pressure valve into tubing assembly		1	
35	TS08582080018	End straight joint combination 18E		2	
35.1	GBT3733-L18E	JOINT BODY		1	
35.2	GBT19674. 2-M22X1. 5E	E-ring seal		1	
36	TH02402010063	VALVE		1	
37	TE3S403010011K	Back pressure valve return tubing assembly		1	
38	TS06582130048	END STRAIGHT THREAD CONNECTOR BODY		1	
38.1	GBT3733-L15	STRAIGHT THREAD JOINT		1	
38.2	TS09580010006	O-RING 15. 3X2. 2-M18X1. 5		1	
39	TE3S403010007K	LUBE OIL LINE		1	
40	GBT16674. 1-M12X20-8. 8-A3L	HEX FLANGE BOLTS		3	
41	GBT6177. 1-M12-8-A3L	HEXAGON FLANGE NUT		1	
42	GBT16674. 1-M8X16-8. 8-A2L	HEX FLANGE BOLTS		4	

TE2S411010000K PTO SHAFT

LOWEOL
zn D20743

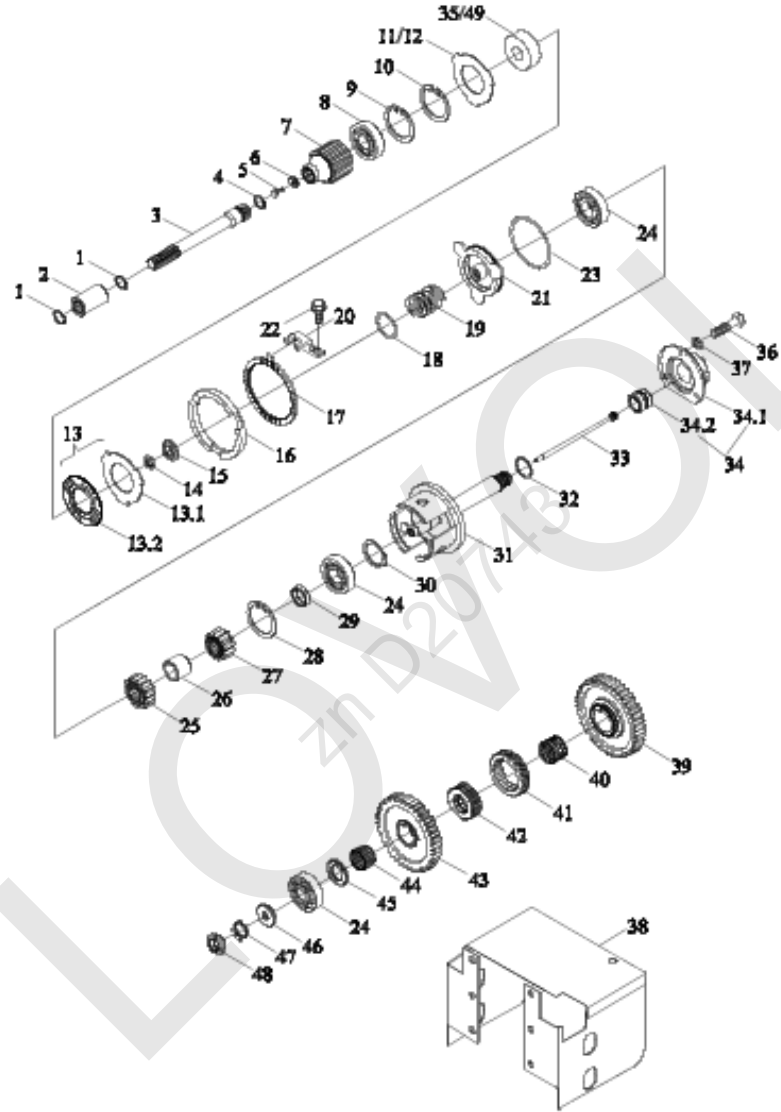


TE2S411010000K PTO SHAFT

序号	零件图号	零件名称	版本	数量	备注
	TE2S411010000K	动力输出轴总成-6齿		1	
1	TE300.411-03	止推环挡圈		1	
2	TE300.411-02	止推环		1	
3	GBT276-6308	深沟球轴承		1	
4	TE2S411010001K	动力输出轴		1	
5	GBT9877.1-FB40X60X8D	内包骨架旋转轴唇形密封圈		2	
6	GBT16674.1-M6X12-8.8-A2L	六角法兰面螺栓		3	
7	TE2S411010002K	后端盖1		1	
8	GBT93-10-A3L	标准型弹簧垫圈		4	
9	GBT5783-M10X30-8.8-A3L	六角头螺栓		4	
10	TE2S411010003K	动力输出轴头护罩		1	
11	TE300.411-04	止推环挡圈		1	
12	TE300.411-05	止推环挡圈		1	

TE3S412010000K GEAR ASSEMBLY (PTO)

LOWVOL
zn D20743



TE3S412010000K GEAR ASSEMBLY (PTO)

No.	Part No.	Description	Version	QTY.	Remark
	TE3S412010000K	PTO GEAR ASSEMBLY	002	1	
1	GBT894. 1-24	RETAINING RING FOR SHAFT		2	
2	TE2S412010036K	CONNECTING SLEEVE		1	
3	TE3S412010001K	PTO TRANSMISSION SHAFT		1	
4	GBT894. 1-28	RETAINING RING FOR SHAFT		1	
5	TE2S412010024K	BOLT M8X18		1	
6	TE2S412010017K	WASHER 9. 5X22X3		1	
7	TE2S412010009K	HUB		1	
8	GBT276-6203	DEEP GROOVE BALL BEARING		1	
9	GBT893. 1-40	RETAINING RING FOR HOLE		1	
10	GBT893. 1-102	RETAINING RING FOR HOLE		1	
11	TE2S412010014K	CLUTCH DRIVEN RETAINER PLATE		1	
12	TE2S412010040K	CLUTCH DRIVEN RETAINER PLATE		1	
13	TE2S412010039K	SPACER PLATE		1	
13. 1	TE2S412010023K	COUNTER DISK		6	
13. 2	TE2S412010020K	FRICITION PIECE ASSEMBLY		6	
14	TE2S412010015K	RETAINER RING 15X25X4		1	
15	TE2S412010016K	PRESS RING		1	
16	TE2S412010019K	BRAKE PRESSURE PLATE		1	
17	TE2S412010011K	BRAKE FRICTION PLATE UNIT		1	
18	TE2S412010043K	O-RING		1	
19	TE2S412010018K	SPRING		1	
20	TE2S412010025K	BRAKE SEAT		1	

TE3S412010000K GEAR ASSEMBLY (PTO) (cont'd.)

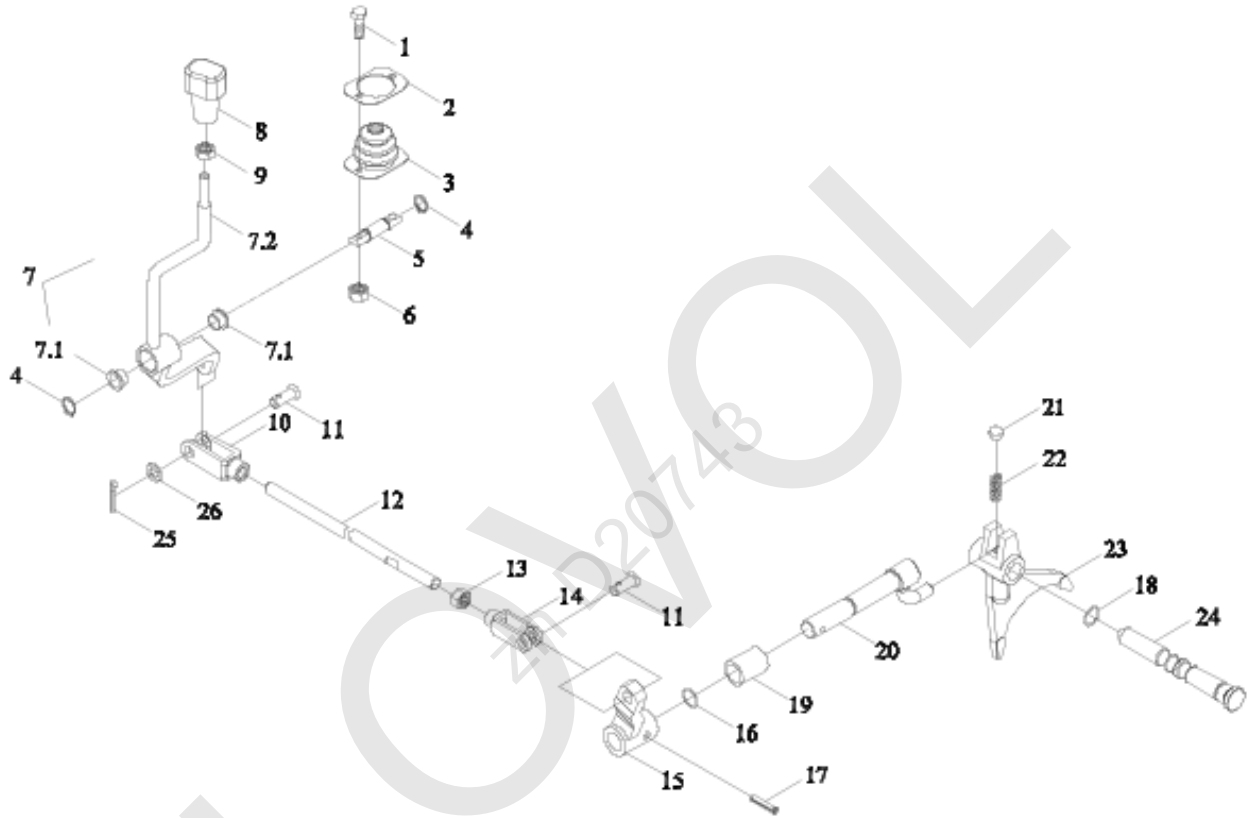
No.	Part No.	Description	Version	QTY.	Remark
21	TE2S412010010Ka	PISTON		1	
22	GBT16674. 1-M8X25-8. 8-A2L	HEX FLANGE BOLTS		2	
23	TE2S412010044K	O RING 92. 5X3. 55-FKM		1	
24	GBT276-6306	DEEP GROOVE BALL BEARING		3	
25	TE2S412010035K	PTO HIGH GEAR DRIVING GEAR		1	
26	TE300. 412-03	FRONT SPACER BUSH		1	
27	TE300. 412-04	PTO LOW GEAR DRIVING GEAR		1	
28	GBT893. 1-72	RETAINING RING FOR HOLE		1	
29	TE2S412010008K	REAR SPACER BUSH		1	
30	GBT894. 1-30	RETAINING RING FOR SHAFT		1	
31	TE2S412010028Ka	PTO DRIVING SHAFT		1	
32	TH04412020035	SEAL RING 24. 95X2. 26		2	
33	TE2S412010005K	LUBRICATING OIL PIPE		1	
34	TE2S412010001K	MAIN SHAFT COVER		1	
34. 1	TE2S412010002K	MAIN SHAFT END COVER		1	
34. 2	TE2S412010003K	SLEEVE 25X37X30		1	
35	TK4110100400	RUBBER MAT		15	
36	GBT5783-M8X20-8. 8-A2L	HEX HEAD BOLTS		3	
37	GBT93-8-A3L	STANDARD SPRING WASHER		3	
38	TE2S412010034K	PTO BONNET WELDMENT		1	
39	TE300. 412-06	PTO LOW GEAR DRIVEN GEAR		1	
40	TE300. 412-07	NEEDLE BEARING		1	
41	TL02412010005	PTO SHIFT COLLAR		1	

TE3S412010000K GEAR ASSEMBLY (PTO) (cont'd.)

No.	Part No.	Description	Version	QTY.	Remark
42	FT300.41C.117	PTO MESHING SEAT		1	
43	TE300.412-08	PTO HIGH GEAR DRIVEN GEAR		1	
44	GBT20056-K35X40X27	NEEDLE AND CARRIER COMBINATION		1	
45	FT300.41C.118	OUTPUT SHAFT FRONT RETAINER RING		1	
46	FT300.41.122	WASHER		1	
47	GBT858-25	TAB WASHER FOR ROUND NUT		1	
48	TL02412010006	ROUND NUT		1	
49	TE2S412010038K	RUBBER MAT		3	

TE2S413010000K CONTROL ASSEMBLY (PTO)

LOWVOL
zn D20743



TE2S413010000K CONTROL ASSEMBLY (PTO)

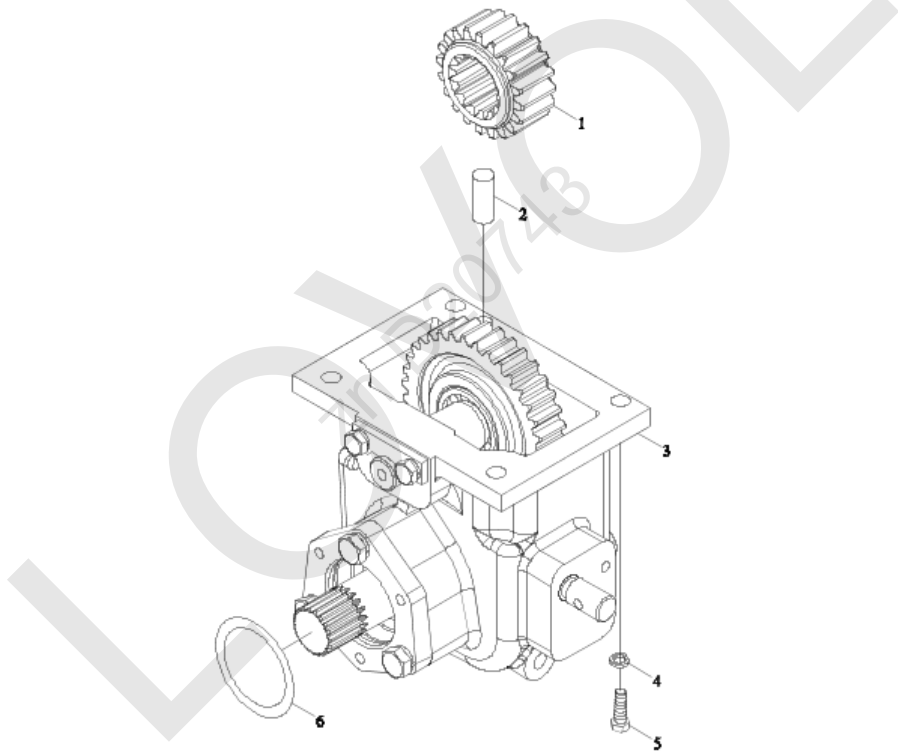
序号	零件图号	零件名称	版本	数量	备注
	TE2S413010000K	动力输出操纵总成		1	
1	GBT5783-M8X30-8.8-A2L	六角头螺栓		2	
2	TE250.413D-07	压片		1	
3	TE250.413D-03	防尘套		1	
4	GBT894.1-18	轴用弹性挡圈		2	
5	TE250.413D-04	固定轴		1	
6	GBT6170-M8-8-A2L	1型六角螺母		2	
7	TL02413080001	操纵杆压合		1	
7.1	TE250.413D.2-01	尼龙套		2	
7.2	TL02413080002	操纵杆焊合		1	
8	TE2S413010003K	动力输出换挡手柄		1	
9	GBT6170-M10-8-A3L	1型六角螺母		1	
10	FT800A.43B.119	左旋拉杆叉		1	
11	GBT882-B10X30-A3L	销轴		2	
12	TL02413040004	中间拉杆		1	
13	GBT6172.1-M10-A3L	六角薄螺母		1	
14	FT800A.43B.116	右旋拉杆叉		1	
15	TL02413040005	摇臂焊合		1	
16	GBT3452.1-11.8X1.80G	液压气动用O形橡胶密封圈		1	
17	QLWZB140-5X24	卷制弹性圆柱销		1	

TE2S413010000K CONTROL ASSEMBLY (PT0) (cont'd.)

序号	零件图号	零件名称	版本	数量	备注
18	GBT3452.1-13.2X1.80G	液压气动用O形橡胶密封圈		1	
19	TE300.413-04	隔套		1	
20	TE300.413.1	动力输出换档拨杆总成		1	
21	GBT308-8.731-G200-b	钢球		1	
22	FT250.37.148	拨叉轴锁定弹簧		1	
23	TE300.413-02a	动力输出换档拨叉		1	
24	TE2S413010001K	动力输出换档拨叉轴		1	
25	GBT91-3.2X20-A3L	开口销		2	
26	GBT97.1-10-A3L	平垫圈		2	

LOWVOL
zn D20743

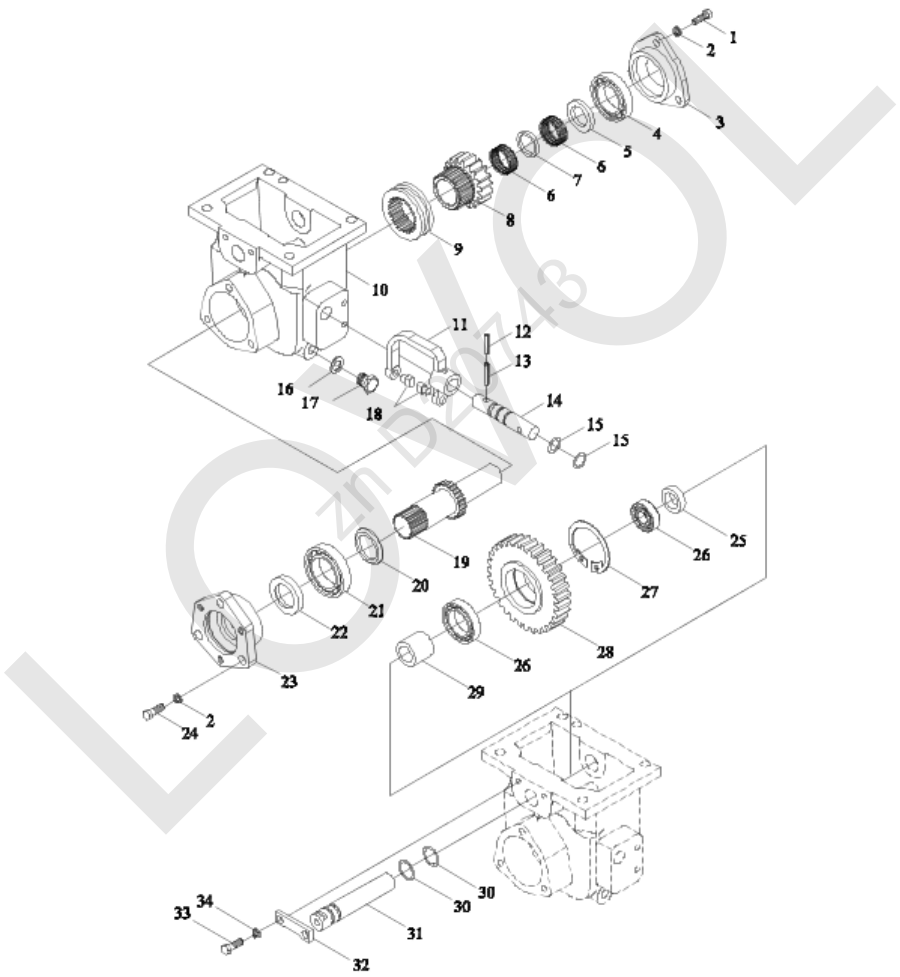
TL02421020000 DROP GEAR BOX-1



TL02421020000 DROP GEAR BOX-1

No.	Part No.	Description	Version	QTY.	Remark
	TL02421020000	TRANSFER CASE ASSEMBLY	002	1	
1	TS02421010001	FRONT DRIVING GEAR		1	
2	GBT119.1-10m6X18-A3L	CYLINDRICAL PIN		2	
3	TL02421020001	TRANSFER CASE BODY		1	
4	GBT93-10-A3L	STANDARD SPRING WASHER		4	
5	GBT5783-M10X30-10.9-A3L	HEX HEAD BOLTS		4	
6	GBT3452.1-53.0X2.65G	O-RING RUBBER SEAL FOR HYDRAULIC AND PNEUMATIC		1	

TL02421020000 DROP GEAR BOX-2



TL02421020000 DROP GEAR BOX-2

No.	Part No.	Description	Version	QTY.	Remark
	TL02421020000	TRANSFER CASE ASSEMBLY		1	
	TL02421020001	TRANSFER CASE BODY		1	
1	GBT5783-M10X20-8. 8-A3L	HEX HEAD BOLTS		3	
2	GBT93-10-A3L	STANDARD SPRING WASHER		6	
3	TE254. 421A. 1-04	REAR BEARING COVER		1	
4	GBT276-6305	DEEP GROOVE BALL BEARING		1	
5	TS02421010005	OUTPUT SHAFT REAR THRUST RING		1	
6	GBT20056-K25X31X20	NEEDLE AND CARRIER COMBINATION		2	
7	FT254. 42. 108	OUTPUT SHAFT ROLLING BEARING SPACER BUSH		1	
8	TS02421010004	TRANSFER CASE DRIVEN GEAR		1	
9	FT254. 42F. 103	SHIFT COLLAR		1	
10	TL02421010002	TRANSFER CASE HOUSING		1	
11	TE254. 421A. 1-02	TRANSFER CASE FORK		1	
12	GBT879. 1-6X24	ELASTIC CYLINDRICAL PIN		1	
13	GBT879. 1-4X24	ELASTIC CYLINDRICAL PIN		1	
14	TE254. 421A. 1-03	TRANSFER CASE FORK SHAFT		1	
15	GBT3452. 1-12. 5X1. 80G	O-RING RUBBER SEAL FOR HYDRAULIC AND PNEUMATIC		2	
16	JBT982-12	COMBINATION GASKET		1	
17	Q617B12	HEXAGON PLUG		1	
18	FT254. 42. 121	TRANSFER CASE FORK HEAD		2	
19	FT254. 42. 102	OUTPUT SHAFT		1	
20	FT254. 42. 109	OUTPUT SHAFT FRONT THRUST RING		1	

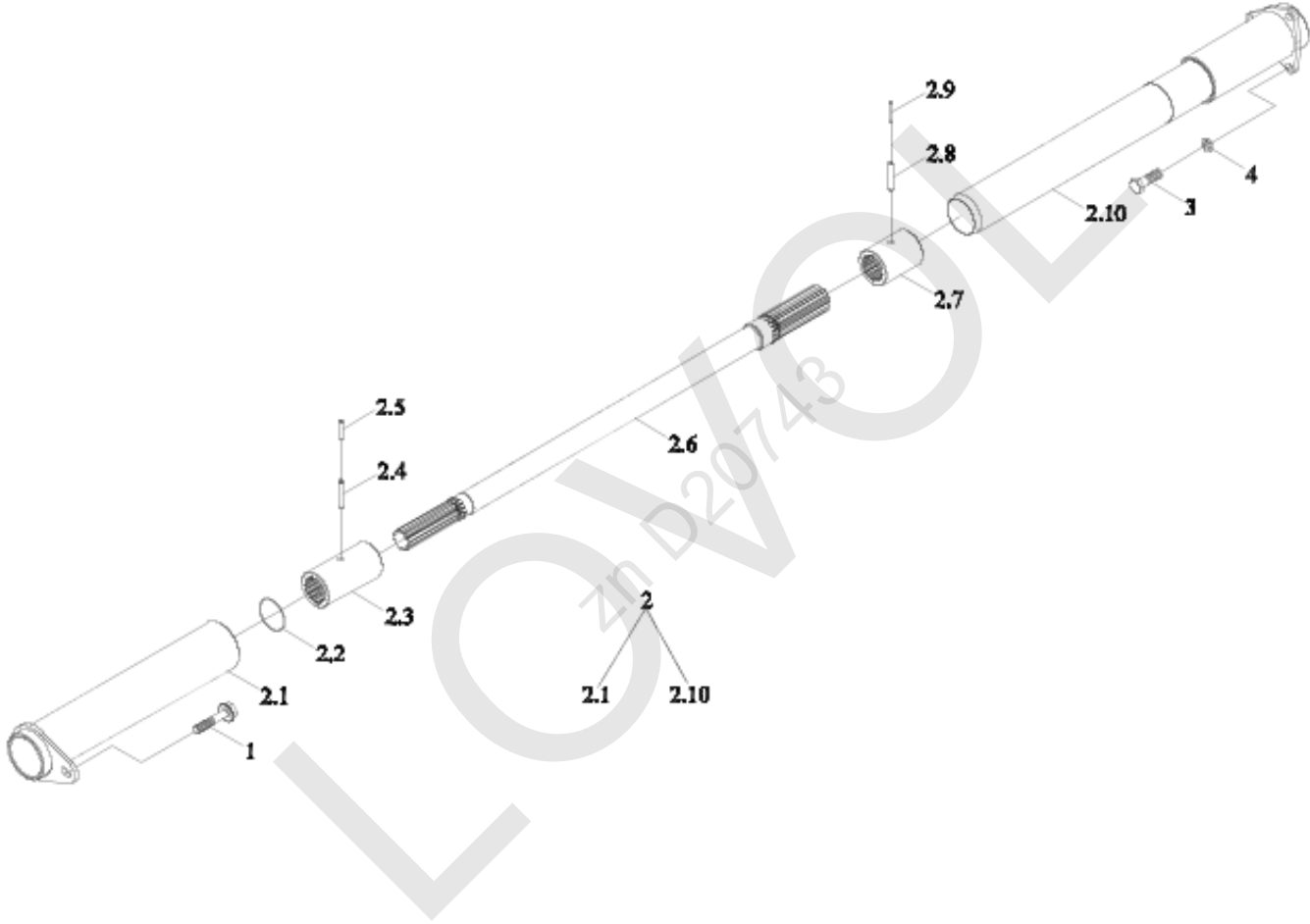
TL02421020000 DROP GEAR BOX-2 (cont'd.)

No.	Part No.	Description	Version	QTY.	Remark
21	GBT276-6206	DEEP GROOVE BALL BEARING		1	
22	TE254. 421. 1. 1	OILSEAL FB30X45X8B		1	
23	TE254. 421A. 1-09	FRONT BEARING COVER		1	
24	GBT5783-M10X30-8. 8-A3L	HEX HEAD BOLTS		3	
25	TE254. 421A. 1-10	MIDDLE SHAFT SMALL THRUST RING		1	
26	GBT283-NJ204E	COLUMN ROLLER BEARING		2	
27	GBT893. 1-47	RETAINING RING FOR HOLE		1	
28	TS02421010003	TRANSFER CASE MIDDLE GEAR		1	
29	TE254. 421A. 1-11	MIDDLE SHAFT BIG THRUST RING		1	
30	GBT3452. 1-15. 0X2. 65G	O-RING RUBBER SEAL FOR HYDRAULIC AND PNEUMATIC		2	
31	TE254. 421A. 1-05	MIDDLE SHAFT		1	
32	TE254. 421A. 1-07	MIDDLE SHAFT LOCATING PLATE		1	
33	GBT5783-M8X20-8. 8-A2L	HEX HEAD BOLTS		2	
34	GBT93-8-A3L	STANDARD SPRING WASHER		2	

LOWVOL
zn D20743

TE3S422010000K DRIVE SHAFT (DROP GEAR BOX)

LOWVOL
zn D20743

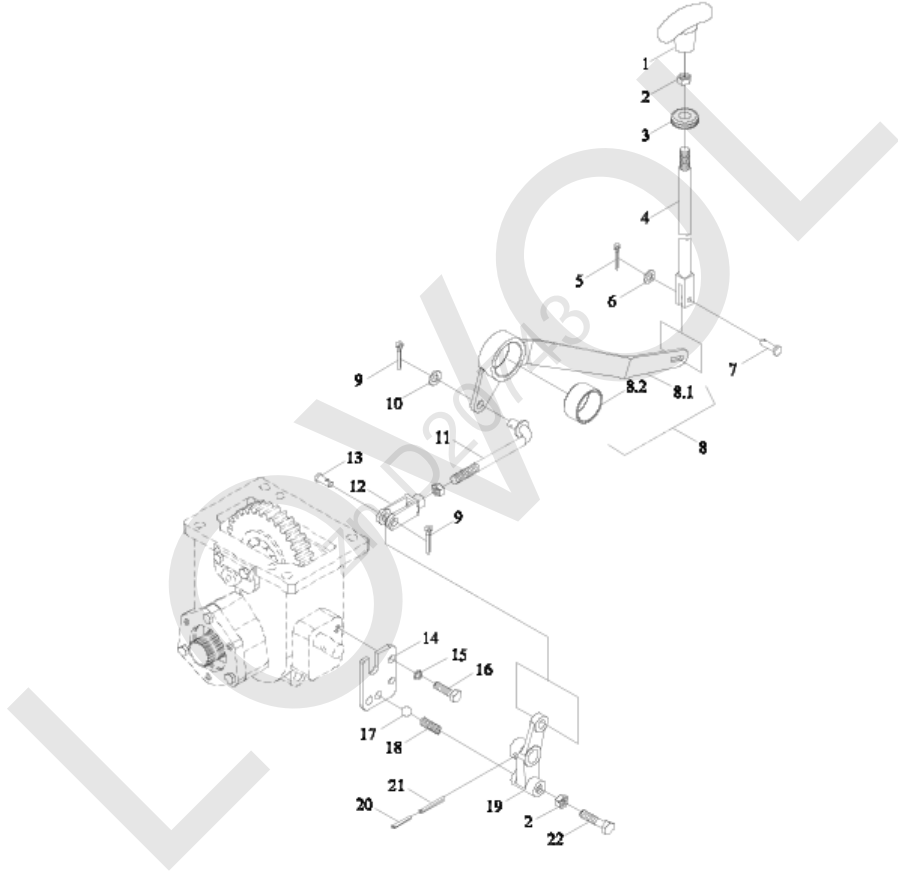


TE3S422010000K DRIVE SHAFT (DROP GEAR BOX)

No.	Part No.	Description	Version	QTY.	Remark
	TE3S422010000K	TRANSFER CASE TRANSMISSION SHAFT ASSEMBLY	001	1	
1	GBT5789-M8X16-10.9-A2L	HEX FLANGE BOLTS		1	
2	TE3S422010001K	TRANSFER CASE TRANSMISSION SHAFT INSTALLATION		1	
2.1	TE2C422070002	FRONT SLEEVE PIPE WELDMENT		1	
2.2	GBT3452.1-46.2X3.55G	O-RING RUBBER SEAL FOR HYDRAULIC AND PNEUMATIC		1	
2.3	FT254.42F.120a	FRONT SPLINE BUSH		1	
2.4	GBT879.1-6X35	ELASTIC CYLINDRICAL PIN		1	
2.5	GBT879.1-3.5X35	ELASTIC CYLINDRICAL PIN		1	
2.6	TE354.422.1-01	TRANSFER CASE TRANSMISSION SHAFT		1	
2.7	TE354.422.1.1	REAR SLEEVE PIPE WELDMENT		1	
2.8	GBT879.1-6X40	ELASTIC CYLINDRICAL PIN		1	
2.9	GBT879.1-3.5X40	ELASTIC CYLINDRICAL PIN		1	
2.10	FT254.42.113	SPLINE BUSH		1	
3	GBT5783-M8X16-8.8-A2L	HEX HEAD BOLTS		3	
4	GBT93-8-A3L	STANDARD SPRING WASHER		3	

TE2S423010000K CONTROL ASSEMBLY (DROP GEAR BOX)

LOWVOL
zn D20743



TE2S423010000K CONTROL ASSEMBLY (DROP GEAR BOX)

No.	Part No.	Description	Version	QTY.	Remark
	TE2S423010000K	TRANSFER CASE CONTROL ASSEMBLY		1	
1	TE2S423010001K	HANDLE		1	
2	GBT6170-M10-8-A3L	TYPE 1 HEX NUT		3	
3	TE254. 423A-01	THROUGH HARNESS WASHER		1	
4	TL02423020001	JOYSTICK WELDING		1	
5	GBT91-1. 6X16-A3L	COTTER PIN		1	
6	GBT97. 1-6-A3L	FLAT WASHERS		1	
7	GBT882-B6X22	PIN		1	
8	TL02423020003	MIDDLE ROCKER UNIT		1	
8.1	TL02423020004	MIDDLE ROCKER WELDMENT		1	
8.2	TE254. 423A. 2-02	MIDDLE ROCKER BUSH		1	
9	GBT91-3. 2X20-A3L	COTTER PIN		2	
10	GBT97. 1-10-A3L	FLAT WASHERS		2	
11	TE254. 423A. 4	MIDDLE PULL ROD WELDMENT		1	
12	FT800A. 43B. 116	RIGHT REVOLVING PULL ROD FORK		1	
13	GBT882-B10X30-A3L	PIN		1	
14	TE254. 423A-05	POSITIONING PLATE		1	
15	GBT93-8-A3L	STANDARD SPRING WASHER		2	
16	GBT5783-M8X20-8. 8-A2L	HEX HEAD BOLTS		2	
17	GBT308-8-G100-b	STEEL BALL		1	
18	FT304. 42. 124	LOCATING SPRING		1	
19	TE254. 423A. 1	ROCKER UNIT		1	
20	GBT879. 1-3. 5X24	ELASTIC CYLINDRICAL PIN		1	

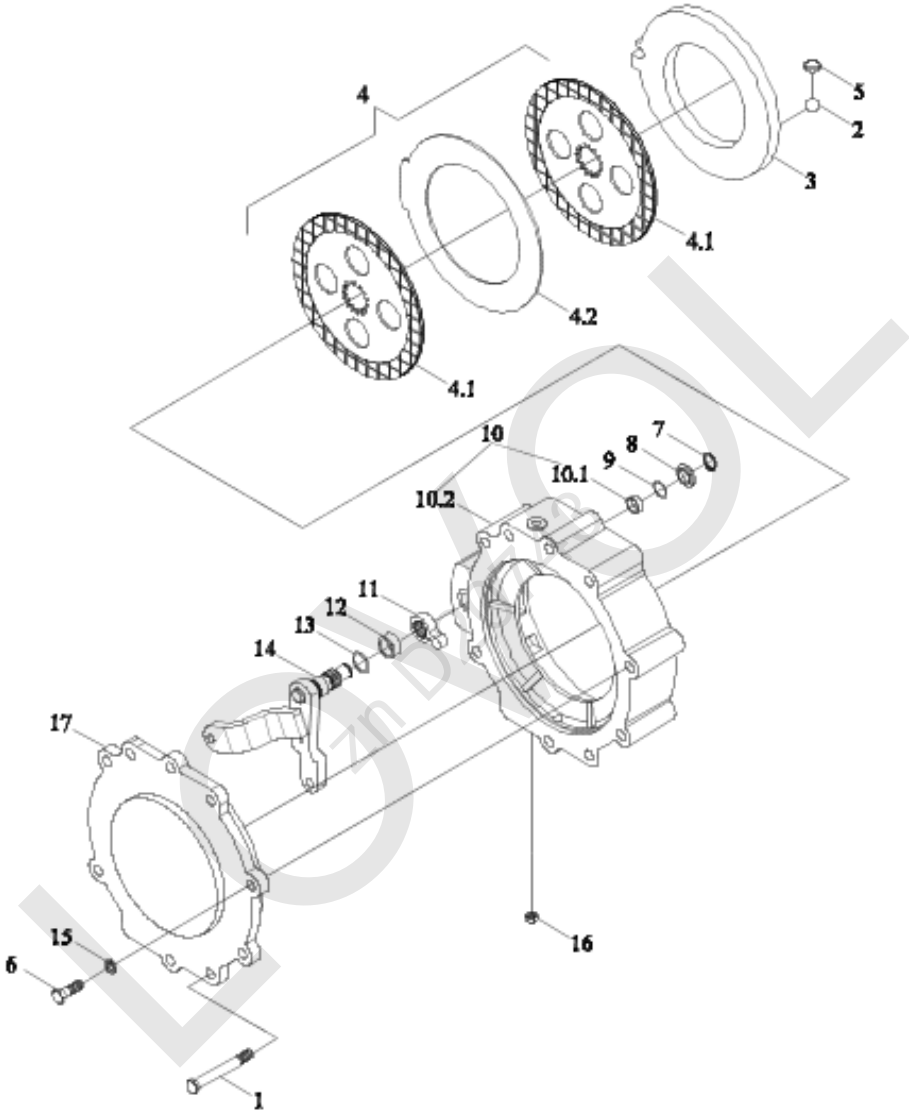
TE2S423010000K CONTROL ASSEMBLY (DROP GEAR BOX) (cont'd.)

No.	Part No.	Description	Version	QTY.	Remark
21	GBT879.1-6X24	ELASTIC CYLINDRICAL PIN		1	
22	GBT5783-M10X25-8.8-A3L	HEX HEAD BOLTS		1	

LOWELOW
zn D20743

TE3S43102000K BRAKE ASSEMBLY-LEFT

LOWVOL
zn D20743



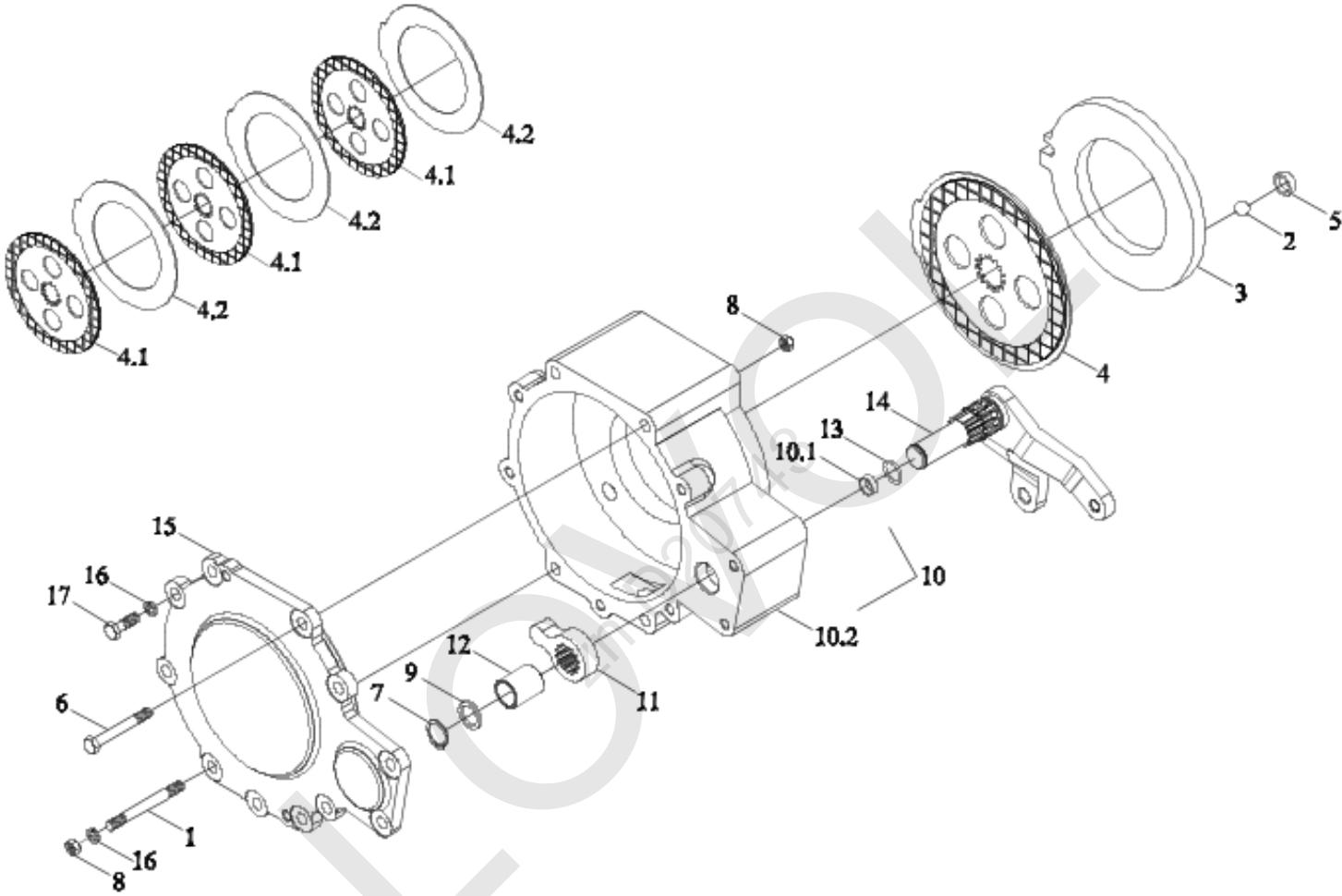
TE3S431020000K BRAKE ASSEMBLY-LEFT

No.	Part No.	Description	Version	QTY.	Remark
	TE3S431020000K	LEFT BRAKE ASSEMBLY	001	1	
1	TL02431020004K	STUD		4	
2	GBT308-13-G200-b	STEEL BALL		4	
3	TL02431020003K	LEFT BRAKE PRESSURE PLATE		1	
4	TL01431020008K	SPACER PLATE		1	
4.1	TE354. 431B. 3	BRAKE FRICTION PLATE ASSEMBLY		3	
4.2	TE354. 431B-03	BULKHEAD		3	
5	TL02431020005K	BOWL PLUG		4	
6	GBT5783-M8X25-8. 8-A2L	HEX HEAD BOLTS		5	
7	GBT894. 1-16	RETAINING RING FOR SHAFT		1	
8	TE3C431010004	WASHER 16		1	
9	GBT3452. 1-18. 0X2. 65G	O-RING RUBBER SEAL FOR HYDRAULIC AND PNEUMATIC		1	
10	TE3S431020001K	LEFT BRAKE HOUSING		1	
10.1	TB550. 431. 1-02	CRANK SHAFT BUSH		1	
10.2	TE3S431020002K	LEFT BRAKE HOUSING		1	
11	TL02431020014K	FLOPPY PAD		1	
12	FT300. 43. 107	SPACER		1	
13	GBT3452. 1-20. 0X2. 65G	O-RING RUBBER SEAL FOR HYDRAULIC AND PNEUMATIC		1	
14	TE3S431010001K	LEFT ROCKER WELDMENT		1	
15	GBT93-8-A3L	STANDARD SPRING WASHER		9	
16	GBT6176-M8X1-10-A2L	HEXAGON NUT, TYPE-2		4	
17	TL02431020011K	LEFT PRESSURE COVER		1	

LOWVOL
zn D20743

TE3S432020000K BRAKE ASSEMBLY-R I GHT

LOWVOL
zn D20743



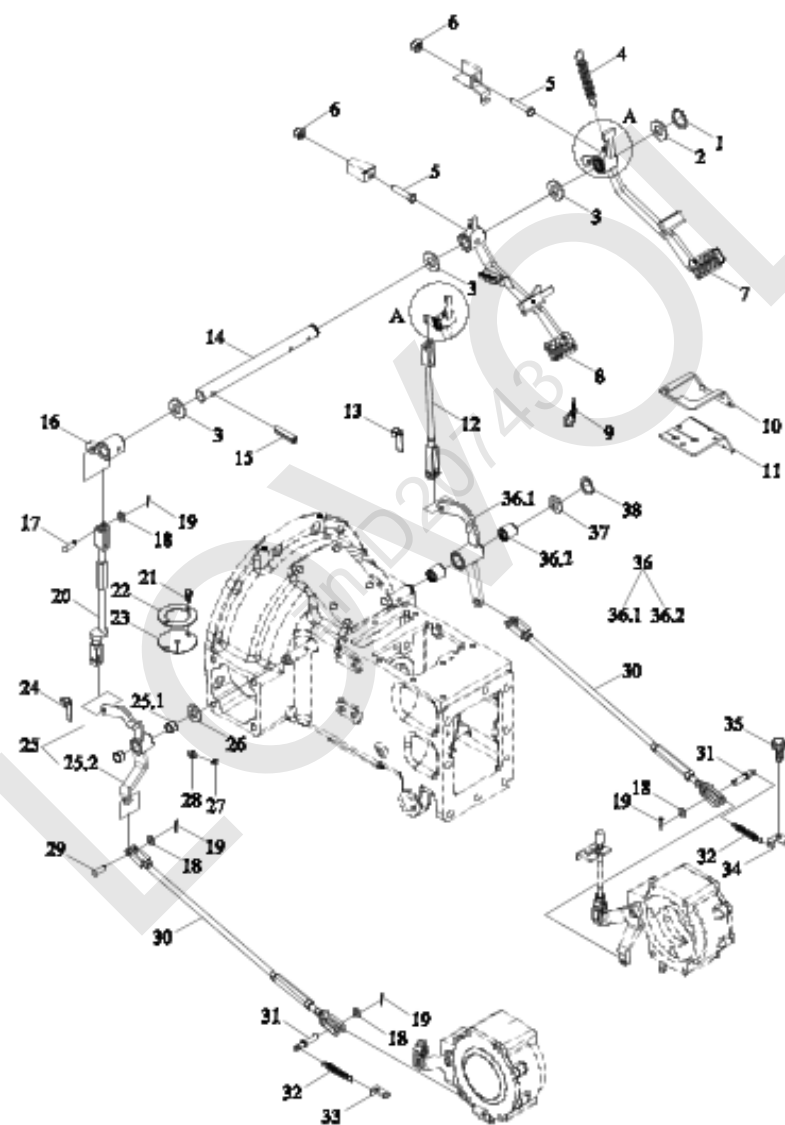
TE3S43202000K BRAKE ASSEMBLY-RIGHT

No.	Part No.	Description	Version	QTY.	Remark
	TE3S43202000K	RIGHT BRAKE ASSEMBLY	001	1	
1	TL02431020004K	STUD		3	
2	GBT308-13-G200-b	STEEL BALL		4	
3	TL02432020003K	RIGHT BRAKE PRESSURE PLATE		1	
4	TL01431020008K	SPACER PLATE		1	
4.1	TE354. 431B. 3	BRAKE FRICTION PLATE ASSEMBLY		3	
4.2	TE354. 431B-03	BULKHEAD		3	
5	TL02431020005K	BOWL PLUG		4	
6	TE354. 431B-06	BOLT		1	
7	GBT894. 1-18	RETAINING RING FOR SHAFT		1	
8	GBT6176-M8X1-10-A2L	HEXAGON NUT, TYPE-2		3	
9	FT65. 38. 196	WASHER		1	
10	TE3C432020001	RIGHT BRAKE HOUSING		1	
10.1	TB550. 431. 1-02	CRANK SHAFT BUSH		1	
10.2	TE3C432020002	RIGHT BRAKE HOUSING		1	
11	TL02431020014K	FLOPPY PAD		1	
12	BZF0016-208	SPACER		1	
13	GBT3452. 1-20. 0X2. 65G	O-RING RUBBER SEAL FOR HYDRAULIC AND PNEUMATIC		1	
14	TE3S432010001K	RIGHT ROCKER WELDMENT		1	
15	TE3C432020003	RIGHT PRESSURE COVER		1	
16	GBT93-8-A3L	STANDARD SPRING WASHER		11	
17	GBT5783-M8X25-8. 8-A2L	HEX HEAD BOLTS		7	

LOWVOL
zn D20743

LOWVOL
zn D20743

TE3S433040000K CONTROL MECHANISM ASSEMBLY (BRAKE) -1



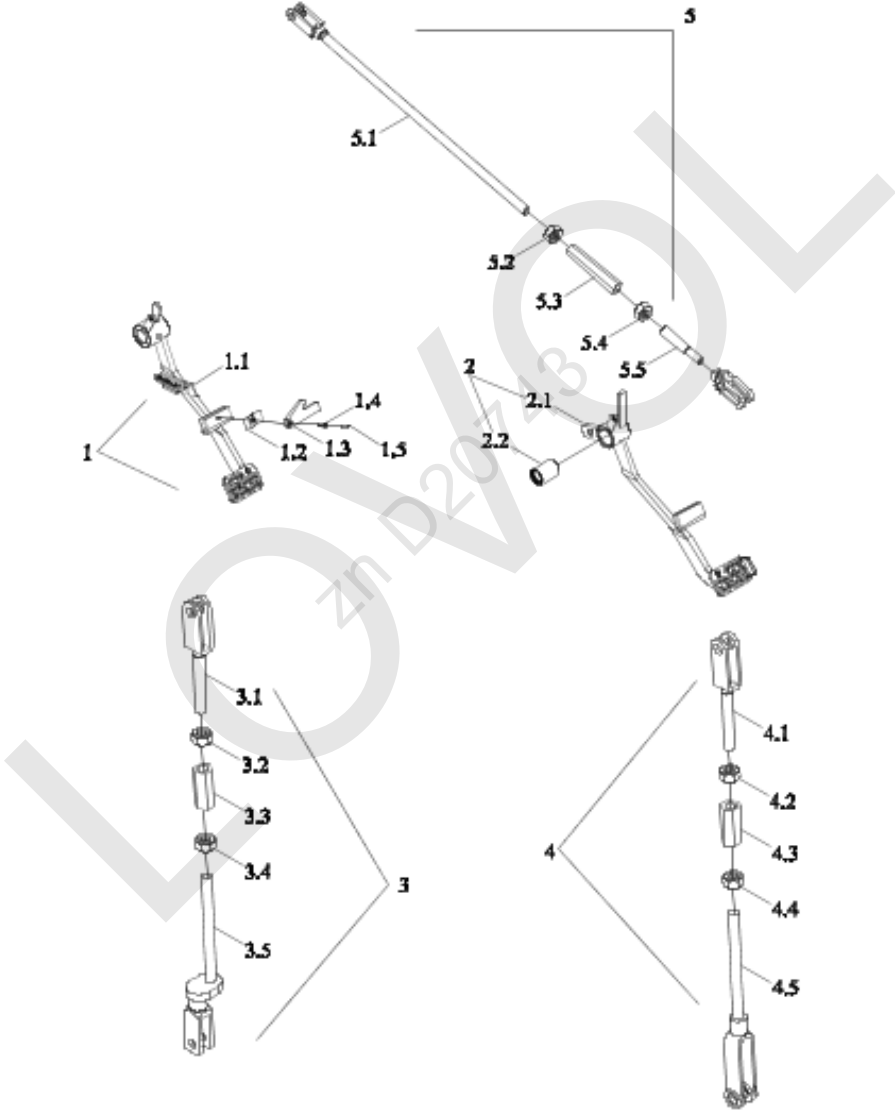
TE3S433040000K CONTROL MECHANISM ASSEMBLY (BRAKE) -1

No.	Part No.	Description	Version	QTY.	Remark
	TE3S433040000K	BRAKE CONTROL MECHANISM ASSEMBLY	001	1	
1	GBT894. 1-25	RETAINING RING FOR SHAFT		1	
2	GBT97. 1-24-A3L	FLAT WASHERS		1	
3	TE250. 433C-02	GASKET		3	
4	TD800. 43-01	PEDAL RETURN SPRING		2	
5	GBT5783-M10X60-8. 8-A3L	HEX HEAD BOLTS		2	
6	GBT6170-M10-8-A3L	TYPE 1 HEX NUT		2	
7	TE3C433100002	RIGHT BRAKE PEDAL UNIT		1	
8	TE3C433100001	LEFT BRAKE PEDAL UNIT		1	
9	BZF0059-201	TIE		2	
10	TL02433060003a	PLATEN 2		1	
11	TL02433060004a	SEAL 2		1	
12	TE2S433010032K	RIGHT UPPER PULL ROD ASSEMBLY		1	
13	TE2S433010035K	PIPE CLAMP		1	
14	TL02433050003	ROTARY SHAFT OF BRAKE		1	
15	GBT879. 3-10X45	ELASTIC CYLINDRICAL PIN		2	
16	TE2C433150012	LEFT ROCKER WELDMENT		1	
17	GBT882-B10X26-A3L	PIN		2	
18	GBT97. 1-10-A3L	FLAT WASHERS		7	
19	GBT91-3. 2X32-A3L	COTTER PIN		7	
20	TE2S433010029K	LEFT UPPER PULL ROD ASSEMBLY		1	
21	GBT5789-M6X16-8. 8-A2L	HEX FLANGE BOLTS		4	
22	TL02433060001a	PLATEN 2		1	

TE3S433040000K CONTROL MECHANISM ASSEMBLY (BRAKE) -1 (cont'd.)

No.	Part No.	Description	Version	QTY.	Remark
23	TL02433060002a	SEAL 2		1	
24	TE2C212090004	PIPE CLAMP		1	
25	TE3S433040001K	LEFT LOWER ROCKER UNIT		1	
25.1	TC03374010058	COMPOUND SLEEVE		2	
25.2	TE3S433040002K	LEFT LOWER ROCKER WELDMENT		1	
26	TL02433060005	GASKET		2	
27	TD800. 311C. 1-01	DUSTPROOF CAP OF OIL CUP		1	
28	JBT7940. 1-M8X1	STRAIGHT-THROUGH PRESSURE OIL CUP		1	
29	GBT882-B10X30-A3L	PIN		2	
30	TE3S433040005K	LOWER PULL ROD		2	
31	TC03433060011	CONNECTING PIN		2	
32	TE250. 212D-05	CLUTCH PEDAL RETURN SPRING		2	
33	TE3S433040008K	SPRING CONNECTING PLATE		1	
34	TE3C433080015	HANGER CONNECTING PLATE		1	
35	GBT5789-M8X16-8. 8-A2L	HEX FLANGE BOLTS		4	
36	TE3C433080009	RIGHT LOWER ROCKER		1	
36.1	TE3C433080010	RIGHT LOWER ROCKER WELDMENT		1	
36.2	TL02433050004	BUSHING		2	
37	GBT97. 1-20-A3L	FLAT WASHERS		1	
38	GBT894. 1-20	RETAINING RING FOR SHAFT		1	

TE3S433040000K CONTROL MECHANISM ASSEMBLY (BRAKE) -2



TE3S433040000K CONTROL MECHANISM ASSEMBLY (BRAKE) -2

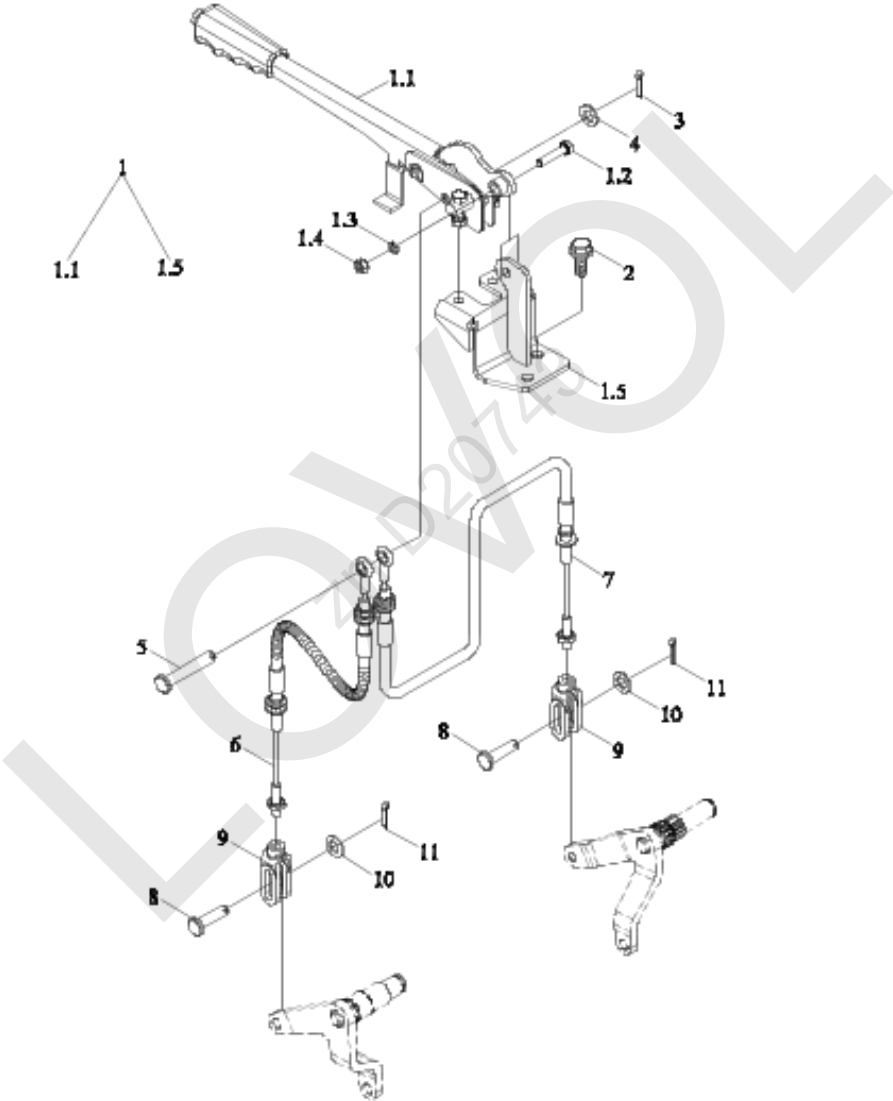
No.	Part No.	Description	Version	QTY.	Remark
	TE3S433040000K	BRAKE CONTROL MECHANISM ASSEMBLY		1	
1	TE3C433100001	LEFT BRAKE PEDAL UNIT		1	
1.1	TE3C433100003	LEFT BRAKE PEDAL WELDMENT		1	
1.2	TE2C433040002	BRAKE INTERLOCK SPRING PRESSURE PIECE		1	
1.3	TE2C433040003	BRAKE INTERLOCK PLATE		1	
1.4	GBT879.1-6X18	ELASTIC CYLINDRICAL PIN		1	
1.5	GBT879.2-3.5X18	ELASTIC CYLINDRICAL PIN		1	
2	TE3C433100002	RIGHT BRAKE PEDAL UNIT		1	
2.1	TE3C433100004	RIGHT BRAKE PEDAL WELDMENT		1	
2.2	FT250.43.162	BRAKE PEDAL HUB BUSH		1	
3	TE2S433010029K	LEFT UPPER PULL ROD ASSEMBLY		1	
3.1	TL02212040016a	RELEASE UPPER TIE ROD WELD		1	
3.2	GBT6171-M10X1-8-A2L	TYPE 1 HEX NUT		1	
3.3	TL02212040024	ADJUSTING SLEEVE		1	
3.4	GBT6171-M10X1-LH-8-A2L	TYPE 1 HEX NUT		1	
3.5	TE2S433010028K	LEFT LOWER PULL ROD WELDMENT		1	
4	TE2S433010032K	RIGHT UPPER PULL ROD ASSEMBLY		1	
4.1	TL02212040016a	RELEASE UPPER TIE ROD WELD		1	
4.2	GBT6171-M10X1-8-A2L	TYPE 1 HEX NUT		1	
4.3	TL02212040024	ADJUSTING SLEEVE		1	
4.4	GBT6171-M10X1-LH-8-A2L	TYPE 1 HEX NUT		1	
4.5	TE2S433010031K	LOWER PULL ROD WELDMENT		1	
5	TE3S433040005K	LOWER PULL ROD		2	

TE3S433040000K CONTROL MECHANISM ASSEMBLY (BRAKE) -2 (cont'd.)

No.	Part No.	Description	Version	QTY.	Remark
5.1	TE3S433040006K	BRAKE LONG PULL ROD WELDMENT		1	
5.2	GBT6171-M12X1.5-LH-8-A3L	TYPE 1 HEX NUT		1	
5.3	TE354.433-03	CONNECTING ROD		1	
5.4	GBT6171-M12X1.5-8-A3L	TYPE 1 HEX NUT		1	
5.5	TE3C433080005	BRAKE SHORT PULL ROD WELDMENT		1	

LOWVOL
zn D20743

TE3S433040000K CONTROL MECHANISM ASSEMBLY (BRAKE) -3



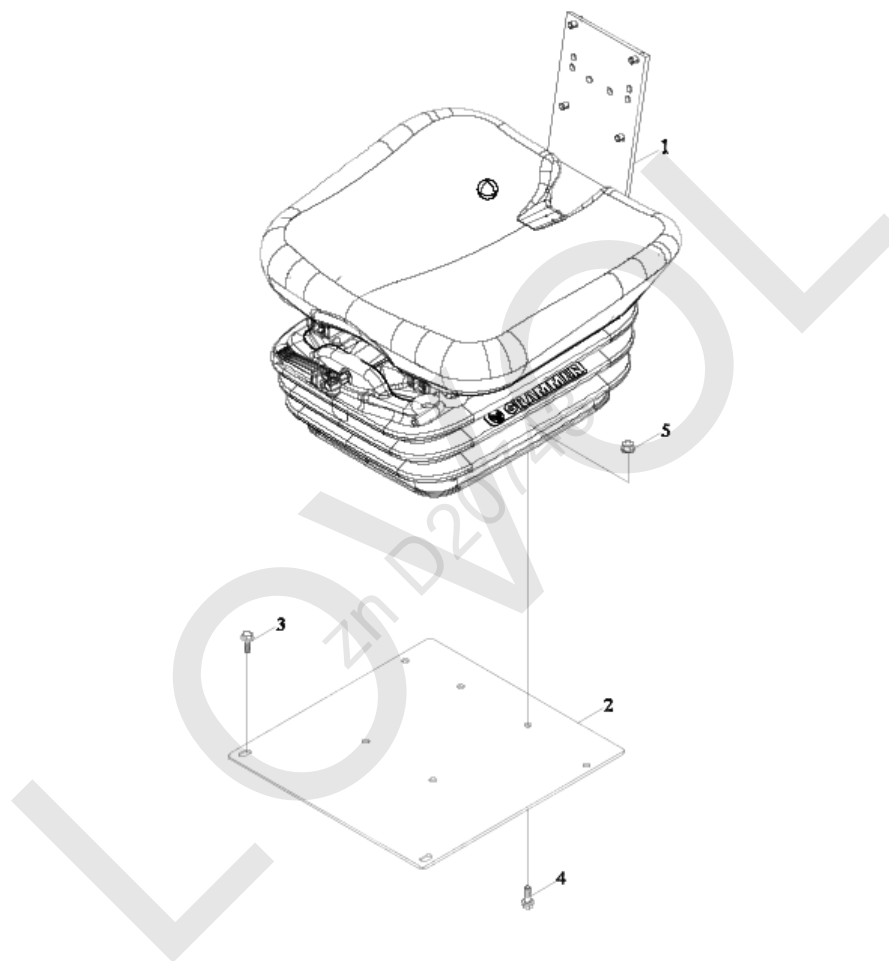
TE3S433040000K CONTROL MECHANISM ASSEMBLY (BRAKE) -3

No.	Part No.	Description	Version	QTY.	Remark
	TE3S433040000K	BRAKE CONTROL MECHANISM ASSEMBLY		1	
1	TE2S433020001K	HAND BRAKE HANDLE ASSEMBLY		1	
1.1	BZF0100-601	HANDLE		1	
1.2	GBT5783-M8X35-8.8-A2L	HEX HEAD BOLTS		1	
1.3	GBT93-8-A3L	STANDARD SPRING WASHER		1	
1.4	GBT6170-M8-8-A2L	TYPE 1 HEX NUT		1	
1.5	TE2S433010011aK	SEAT WELDMENT		1	
2	GBT16674.1-M10X20-8.8-A3L	HEX FLANGE BOLTS		2	
3	GBT91-3.2X32-A3L	COTTER PIN		7	
4	GBT97.1-10-A3L	FLAT WASHERS		7	
5	GBT882-B10X45-A3L	PIN		1	
6	TE3S433010015K	LEFT BRAKE WIRE ASSEMBLY		1	
7	TE3S433010016K	RIGHT BRAKE PULL WIRE ASSEMBLY		1	
8	GBT882-B8X30-A3L	PIN		2	
9	TE250.433C-11	CONNECTING FORK		2	
10	GBT97.1-8-A3L	FLAT WASHERS		2	
11	GBT91-2X25-A3L	COTTER PIN		2	

LOWVOL
zn D20743

TE2S440010000K SEAT MOUNTING ASSEMBLY

LOWVOLT
zn D20743

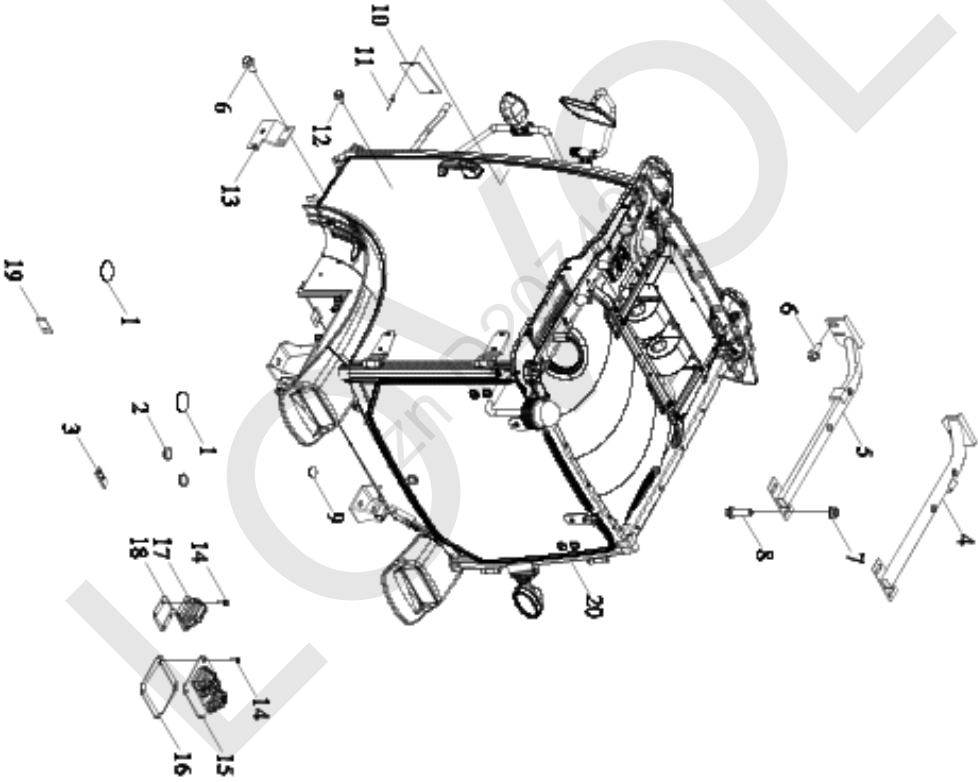


TE2S440010000K SEAT MOUNTING ASSEMBLY

序号	零件图号	零件名称	版本	数量	备注
	TE2S440010000K	座椅安装总成		1	
1	TB1S440020001K	座椅总成		1	
2	TE2S440010003K	座椅安装板		1	
3	GBT16674.1-M8X20-8.8-A2L	六角法兰面螺栓		4	
4	GBT16674.1-M8X16-8.8-A2L	六角法兰面螺栓		4	
5	GBT6177.1-M8-8-A2L	六角法兰面螺母		4	

LOWVOL
zn D20743

TE3S451010000K CAB ASSEMBLY-1



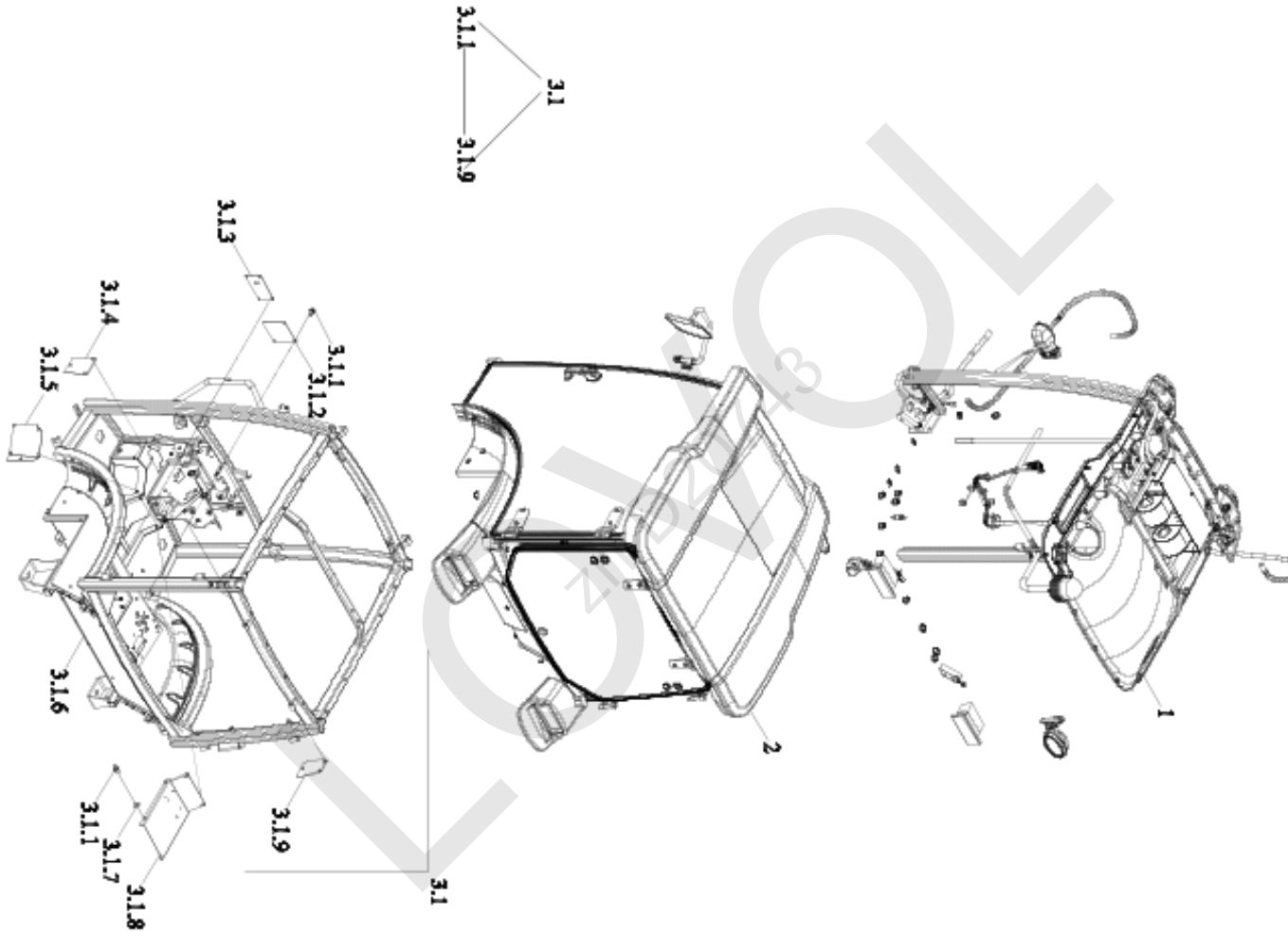
TE3S451010000K CAB ASSEMBLY-1

序号	零件图号	零件名称	版本	数量	备注
	TE3S451010000K	驾驶室总成	003	1	
1	QLWZL002-80X1.5	3M贴片		2	
2	BZF0056-004	圆堵盖24X3		2	
3	TE2C451011001	驻车制动拉线密封小总成		1	
4	TE2S810010003K	蒸发器右安装梁焊合总成		1	
5	TE2S810010004K	蒸发器左安装梁焊合总成		1	
6	GBT16674.1-M8X20-8.8-A2L	六角法兰面螺栓		8	
7	GBT6177.1-M8-8-A2L	六角法兰面螺母		4	
8	GBT16674.1-M8X35-8.8-A2L	六角法兰面螺栓		4	
9	TS04451010020	堵盖		1	
10	TE2S451010055K	EC标牌-驾驶室		1	
11	GBT12618-3X10	开口型平圆头抽芯铆钉		2	
12	GBT16674.1-M6X12-8.8-A2L	六角法兰面螺栓		11	
13	TE2S451010079aK	滤清器固定支架焊合		1	
14	GBT16674.1-M6X20-8.8-A2L	六角法兰面螺栓		8	
15	TE3S451010036K	密封套		1	
16	TE3S451010037K	钢板垫		1	
17	TE3S451010051K	提升器防尘套		1	
18	TE3S451010052K	提升器防尘压板		1	

TE3S451010000K CAB ASSEMBLY-1 (cont'd.)

序号	零件图号	零件名称	版本	数量	备注
19	TB2S451010042	拉线安装密封板		1	
20	TE3S451010067K	驾驶室供货总成		1	

TE3S451010000K CAB ASSEMBLY-2

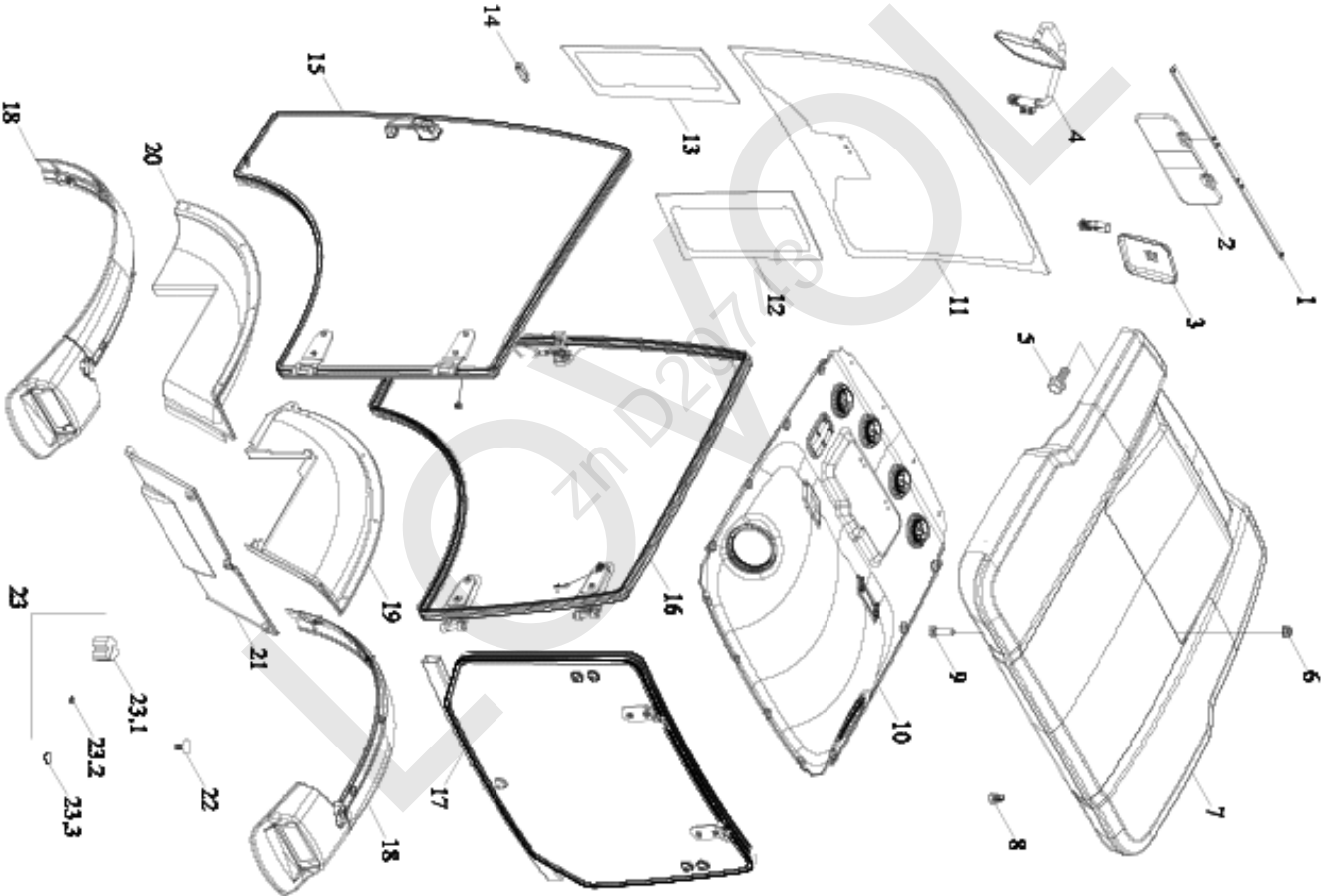


TE3S451010000K CAB ASSEMBLY-2

序号	零件图号	零件名称	版本	数量	备注
	TE3S451010067K	驾驶室供货总成		1	
1	TE3S451010069K	驾驶室附件-电气		1	
2	TE3S451010068K	驾驶室附件总成		1	
3	TE3S451010070K	驾驶室车身白皮		1	
3.1	TE3S451010001K	驾驶室焊装总成		1	
3.1.1	GBT16674.1-M6X12-8.8-A2L	六角法兰面螺栓		17	
3.1.2	TL02451020054	侧置操纵检修盖板		1	
3.1.3	TE3S451010028K	提升器检修盖板		1	
3.1.4	TL02451020077	中地板前件前补板		1	
3.1.5	TL02451020078	中地板前件后补板		1	
3.1.6	TE3S451010002K	驾驶室本体焊合		1	
3.1.7	GBT97.1-6-A3L	平垫圈		4	
3.1.8	TE2S451010064Ka	前检修盖板		1	
3.1.9	TL02451020079	中地板右件前板补板		1	

LOWVOL
zn D20743

TE3S451010000K CAB ASSEMBLY-3



TE3S451010000K CAB ASSEMBLY-3

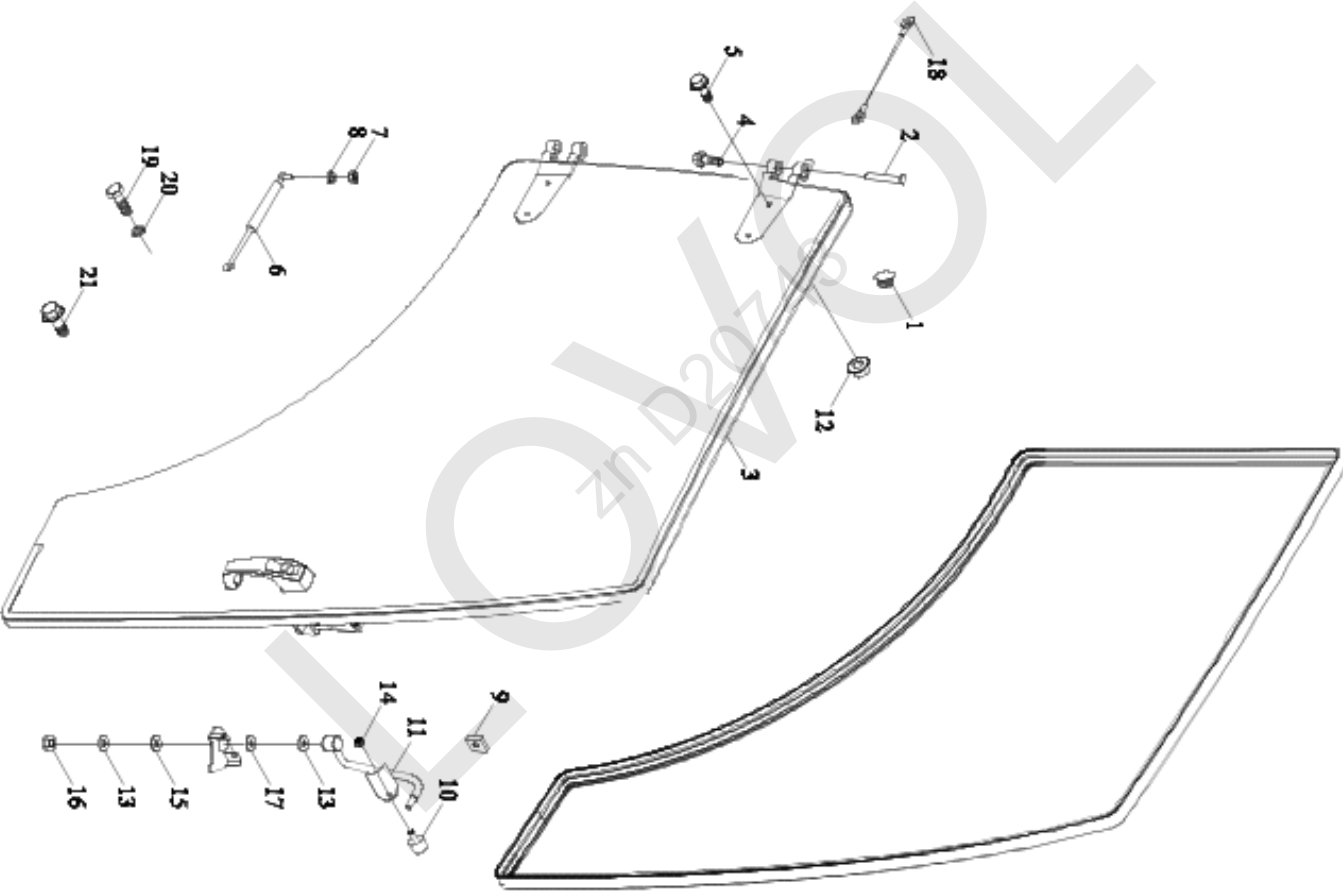
序号	零件图号	零件名称	版本	数量	备注
	TE3S451010000K	驾驶室总成		1	
	TE3S451010068K	驾驶室附件总成		1	
1	TL02453020005	遮阳板安装板焊合		1	
2	TL02453020002	遮阳板		1	
3	TE2S451010029K	右后视镜装配总成		1	
4	TE2S451010027K	左后视镜装配总成		1	
5	GBT5789-M8X20-8.8-A2L	六角法兰面螺栓		6	
6	GBT6177.1-M8-8-A2L	六角法兰面螺母		4	
7	TL02451015100	顶盖装配总成		1	
8	Q69208	塑料开尾销钉		16	
9	GBT5789-M8X35-8.8-A2L	六角法兰面螺栓		4	
10	TE3S453010001K	顶内饰		1	
11	TE2S451010021Ka	前挡风玻璃		1	
12	TE2S451010023K	前下挡风玻璃右件		1	
13	TE2S451010022K	前下挡风玻璃左件		1	
14	TS06451011269	玻璃支撑垫		4	
15	TE2S451010018Ka	左车门总成		1	
16	TL02451014000	右车门总成		1	
17	TE2S451010024Ka	后风窗总成		2	
18	TL02455010000	后挡泥板饰件总成		2	

TE3S451010000K CAB ASSEMBLY-3 (cont'd.)

序号	零件图号	零件名称	版本	数量	备注
19	TE3S453020001K	右挡泥板内饰总成		1	
20	TE2S453010001K	左挡泥板内饰总成		1	
21	TE2S453010003K	后围内饰		1	
22	TE2S453010006K	塑料开尾销钉合件		13	
23	TE3S451010015K	驾驶室密封总成		1	
23.1	TL02451019002	密封海绵		8	
23.2	QLWZL002-20X1.0	3M贴片		23	
23.3	QLWZL002-35X1.0	3M贴片		1	

LOWVOL
zn D20743

TE3S451010000K CAB ASSEMBLY-4



TE3S451010000K CAB ASSEMBLY-4

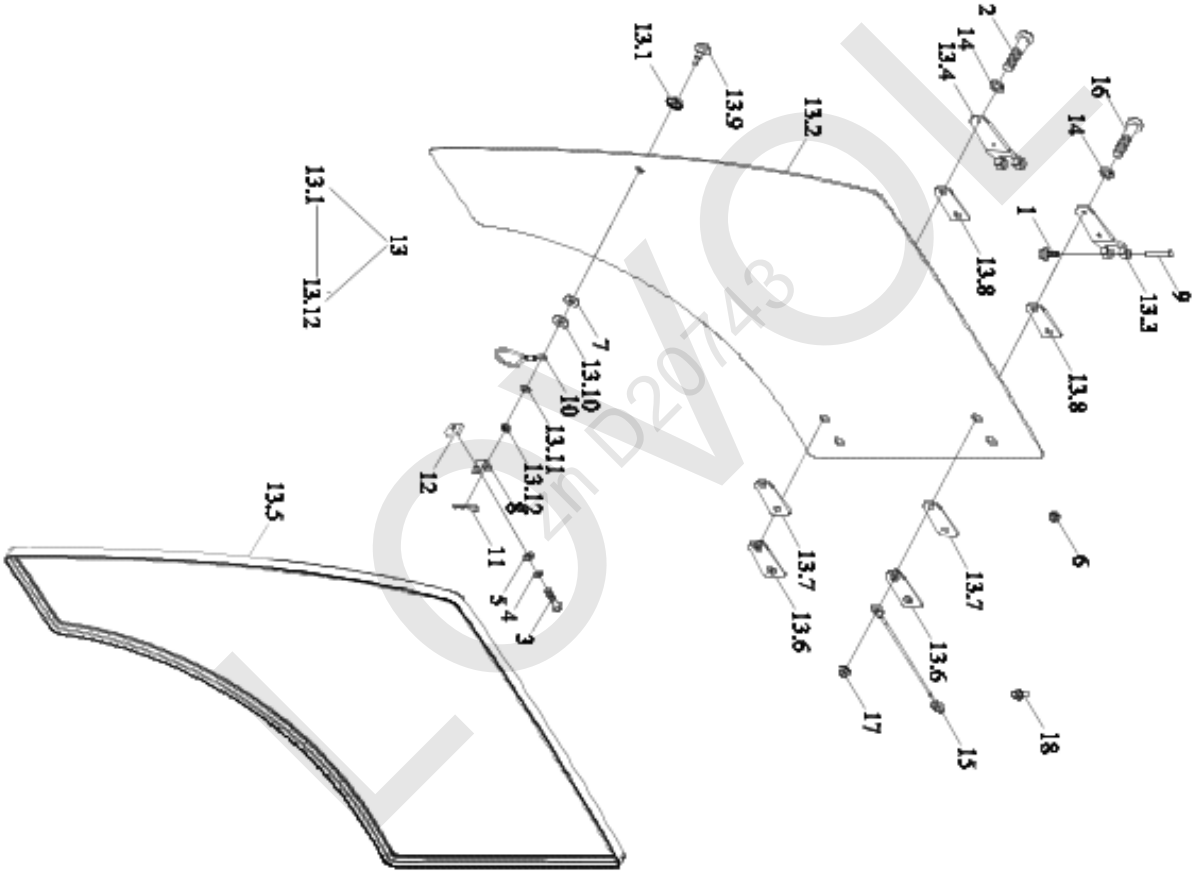
序号	零件图号	零件名称	版本	数量	备注
	TE3S451010000K	驾驶室总成		1	
	TE3S451010068K	驾驶室附件总成		1	
	TE2S451010018Ka	左车门总成		1	
1	TS06451019001	工艺孔堵盖1		2	
2	TL02451013018	销轴		2	
3	TE2S451010019Ka	左车门分总成		1	
4	GBT16674.1-M8X16-8.8-A2L	六角法兰面螺栓		2	
5	GBT5783-M8X45-8.8-A2L	六角头螺栓		1	
6	TD904.451C.2-12	车门气弹簧		1	
7	GBT6170-M8-8-A2L	1型六角螺母		1	
8	GBT93-8-A3L	标准型弹簧垫圈		1	
9	TS04451013002	门锁销轴螺母座		1	
10	TS04451012130	限位块合件		1	
11	TL02451011667	左侧半开支架焊合		1	
12	GBT6177.1-M8-8-A2L	六角法兰面螺母		1	
13	GBT96.1-10-A3L	大垫圈		3	
14	GBT6170-M10-8-A3L	1型六角螺母		1	
15	TS04451012128	尼龙垫圈		1	
16	GBT6187.1-M10-8-A2L	全金属六角法兰面锁紧螺母		1	
17	TS04451012127	尼龙套		1	

TE3S451010000K CAB ASSEMBLY-4 (cont'd.)

序号	零件图号	零件名称	版本	数量	备注
18	TL02451011681	车门限位拉绳		1	
19	GBT5783-M8X35-8.8-A2L	六角头螺栓		3	
20	GBT93-8-A0P	标准型弹簧垫圈		4	
21	GBT16674.1-M8X20-8.8-A2L	六角法兰面螺栓		1	

LOWVOL
zn D20743

TE3S451010000K CAB ASSEMBLY-5



TE3S451010000K CAB ASSEMBLY-5

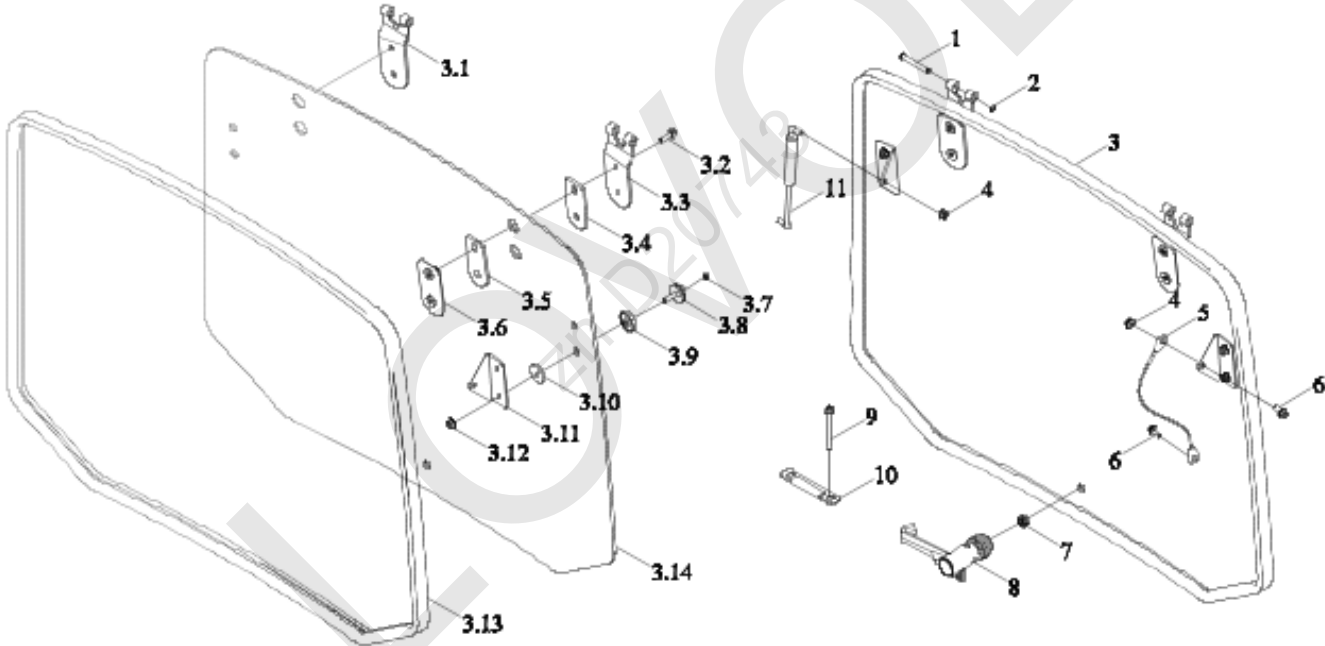
序号	零件图号	零件名称	版本	数量	备注
	TE3S451010000K	驾驶室总成		1	
	TE3S451010068K	驾驶室附件总成		1	
	TL02451014000	右车门总成		1	
1	GBT16674.1-M8X16-8.8-A2L	六角法兰面螺栓		2	
2	GBT5783-M8X35-8.8-A2L	六角头螺栓		3	
3	GBT5783-M12X30-8.8-A3L	六角头螺栓		1	
4	GBT93-12-A3L	标准型弹簧垫圈		1	
5	GBT97.1-12-A3L	平垫圈		1	
6	TB400.46C-01	堵盖		1	
7	TD1000.451.2-05	锁柱内胶垫		1	
8	TL02451014004	锁柱支架		1	
9	TL02451013018	销轴		2	
10	TE2S451010002	锁柱拉绳		1	
11	TL02451014005	弹簧销		1	
12	TS04451013002	门锁销轴螺母座		1	
13	TL02451014100	右车门分总成		1	
13.1	TL02451014101	锁柱外胶垫		1	
13.2	TL02451014001	右车门玻璃		1	
13.3	TL02451013026	右车门上铰链焊合		1	
13.4	TL02451013023	右车门铰链焊合		1	

TE3S451010000K CAB ASSEMBLY-5 (cont'd.)

序号	零件图号	零件名称	版本	数量	备注
13.5	TL02451013019	车门密封条		1	
13.6	TL02451013014	左车门铰链内板焊接-上		2	
13.7	TL02451013012	左车门内胶垫-上		2	
13.8	TL02451013011	左车门外胶垫-下		2	
13.9	TD1000.451.2-08a	M14注塑螺栓		1	
13.10	GBT96.1-14-A3L	大垫圈		1	
13.11	GBT97.1-14-A3L	平垫圈		1	
13.12	GBT6173-M14X1.5-05-A3L	六角薄螺母		1	
14	GBT93-8-A0P	标准型弹簧垫圈		4	
15	TL02451011681	车门限位拉绳		1	
16	GBT5783-M8X45-8.8-A2L	六角头螺栓		1	
17	GBT6177.1-M8-8-A2L	六角法兰面螺母		1	
18	GBT16674.1-M8X20-8.8-A2L	六角法兰面螺栓		1	

LOWVOL
zn D20743

TE3S451010000K CAB ASSEMBLY-6



TE3S451010000K CAB ASSEMBLY-6

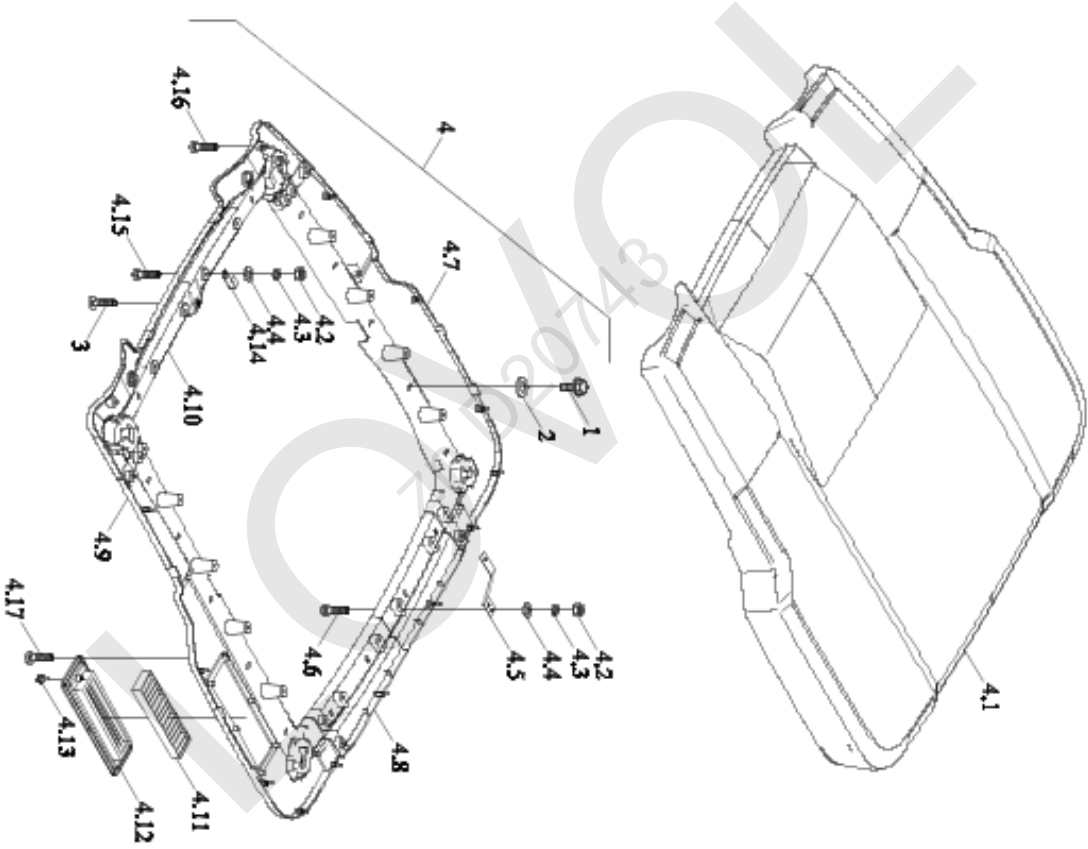
序号	零件图号	零件名称	版本	数量	备注
	TE3S451010000K	驾驶室总成		1	
	TE3S451010068K	驾驶室附件总成		1	
	TE2S451010024Ka	后风窗总成		1	
1	TS06451016004	后窗铰链销轴		2	
2	GBT896-6-A3L	开口挡圈		2	
3	TE2S451010025Ka	后风窗分总成		1	
3.1	TL02451016002a	后窗铰链焊合-右		1	
3.2	GBT5789-M8X25-8.8-A2L	六角法兰面螺栓		4	
3.3	TL02451016001a	后窗铰链焊合-左		1	
3.4	TL02451016005	后窗铰链外胶垫		2	
3.5	TL02451016006	后窗铰链内胶垫		2	
3.6	TL02451016007	后窗铰链内板焊合		2	
3.7	TS04451013109	塑铸螺栓堵盖		4	
3.8	TS04451013106	塑铸螺栓		4	
3.9	TS06453015606	固定套内垫		4	
3.10	TS06453015605	固定套外垫		4	
3.11	TL02451016016	气弹簧支架		2	
3.12	GBT6177.1-M8-8-A2L	六角法兰面螺母		4	
3.13	TL02451016004	后窗密封条		1	
3.14	TE2S451010026Kb	后风窗玻璃		1	

TE3S451010000K CAB ASSEMBLY-6 (cont'd.)

序号	零件图号	零件名称	版本	数量	备注
4	GBT6177.1-M8-8-A2L	六角法兰面螺母		2	
5	TL02451011092	后窗限位拉绳		1	
6	GBT16674.1-M8X20-8.8-A2L	六角法兰面螺栓		2	
7	GBT6172.1-M12-04-A3L	六角薄螺母		2	
8	TE2S451016001	后窗锁紧把手总成		1	
9	GBT16674.1-M8X80-8.8-A2L	六角法兰面螺栓		2	
10	TE2S451016003	后窗把手锁止限位座		1	
11	TL02451016010a	后窗气弹簧		1	

LOWVOL
zn D20743

TE3S451010000K CAB ASSEMBLY-7



TE3S451010000K CAB ASSEMBLY-7

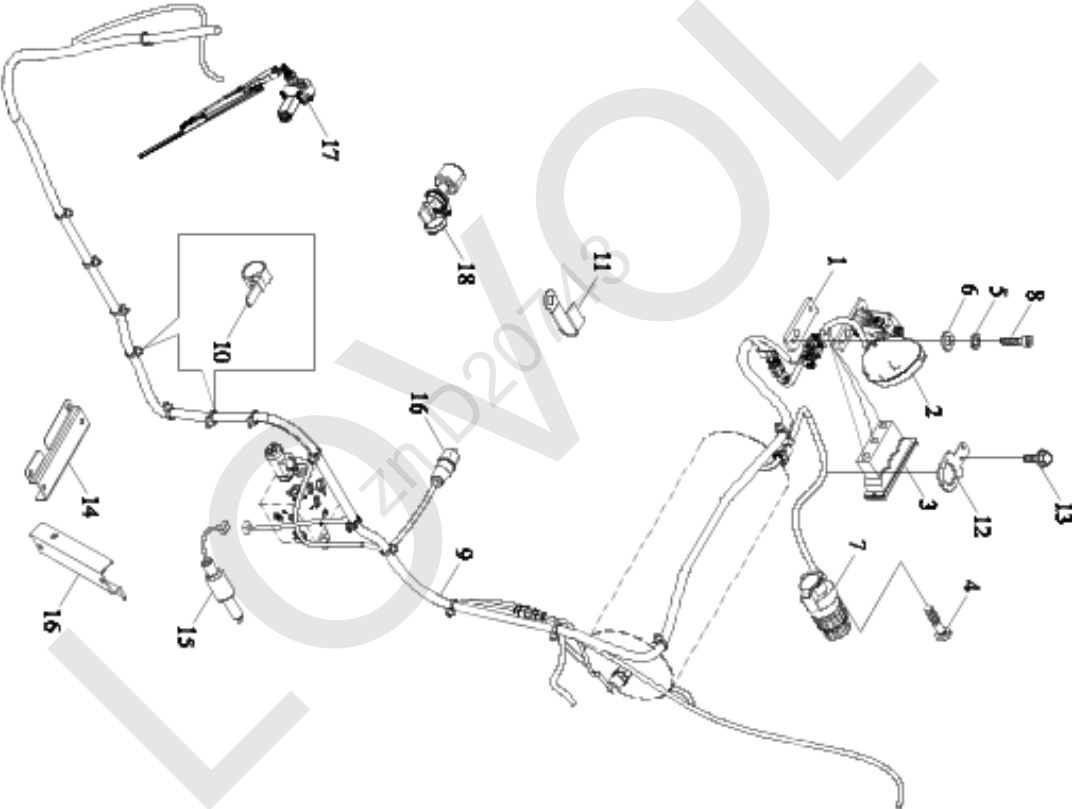
序号	零件图号	零件名称	版本	数量	备注
	TE3S451010000K	驾驶室总成		1	
	TE3S451010068K	驾驶室附件总成		1	
	TL02451015100	顶盖装配总成		1	
1	GBT16674.1-M6X20-8.8-A2L	六角法兰面螺栓		16	
2	GBT96.1-6-A3L	大垫圈		16	
3	GBT818-M6X12-4.8-A2L	十字槽盘头螺钉		1	
4	TL02451015000	顶盖总成		1	
4.1	TL02451015004	外顶盖		1	
4.2	GBT6170-M6-8-A2L	1型六角螺母		48	
4.3	GBT93-6-A3L	标准型弹簧垫圈		48	
4.4	GBT97.1-6-A3L	平垫圈		48	
4.5	TL02451015009	连接板		4	
4.6	GBT818-M6X20-4.8-A2L	十字槽盘头螺钉		28	
4.7	TL02451015008	顶盖右件		1	
4.8	TL02451015006	顶盖后件		1	
4.9	TL02451015007	顶盖左件		1	
4.10	TL02451015005	顶盖前件		1	
4.11	TL02451015012	外循环风口滤芯		1	
4.12	TL02451015011	外循环风口		1	
4.13	TS06453015105	外顶螺栓堵		2	

TE3S451010000K CAB ASSEMBLY-7 (cont'd.)

序号	零件图号	零件名称	版本	数量	备注
4.14	FT65.48.095	线束紧固夹-1		4	
4.15	GBT818-M6X16-4.8-A2L	十字槽盘头螺钉		4	
4.16	GBT818-M6X12-4.8-A2L	十字槽盘头螺钉		2	
4.17	GBT818-M5X10-4.8-A2L	十字槽盘头螺钉		9	

LOWVOL
zn D20743

TE3S451010000K CAB ASSEMBLY-8



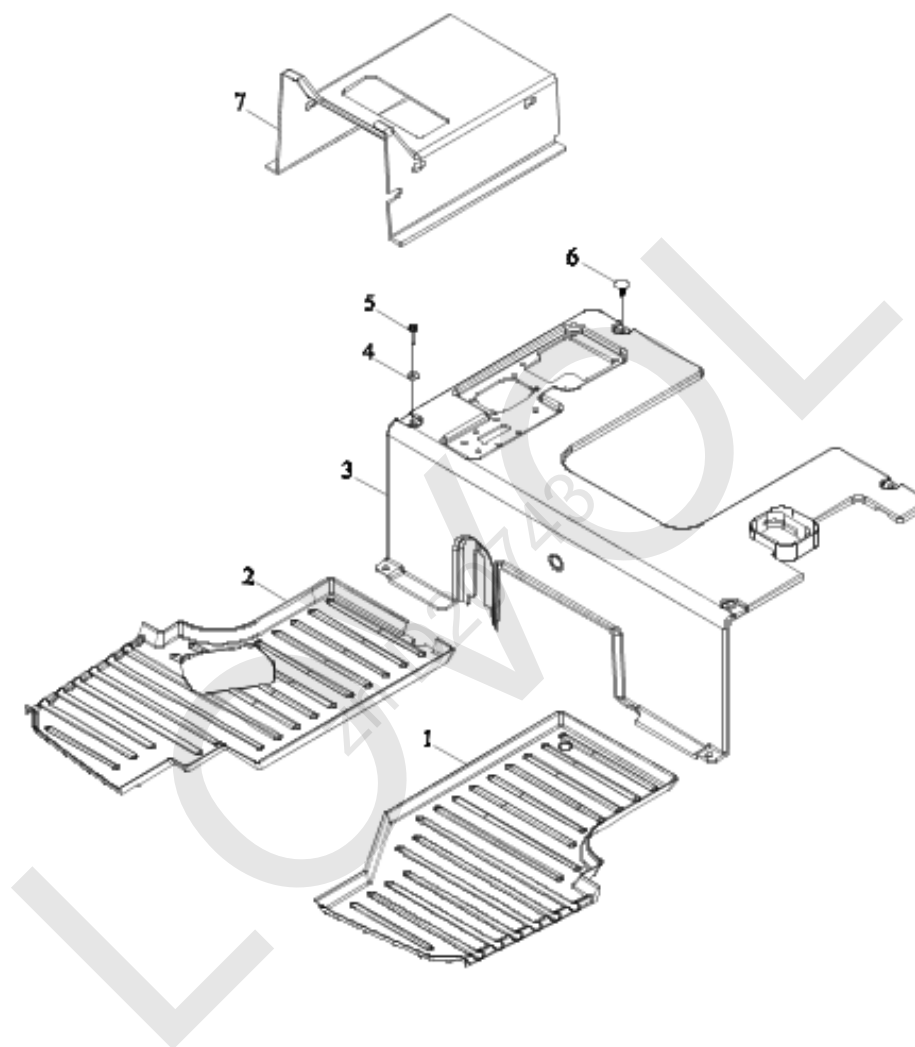
TE3S451010000K CAB ASSEMBLY-8

序号	零件图号	零件名称	版本	数量	备注
	TE3S451010000K	驾驶室总成		1	
	TE3S451010069K	驾驶室附件-电气		1	
1	TS06484010015	后工作灯减震垫		1	
2	TS06484010004	右后照灯总成		1	
3	TL01484230002K	后尾灯总成		2	
4	GBT818-M5X35-4.8-A1L	十字槽盘头螺钉		3	
5	GBT93-8-A3L	标准型弹簧垫圈		2	
6	GBT97.3-8-A3L	销轴用平垫圈		2	
7	TD900.484.2	后挂车插座		1	
8	GBT70.1-M8X25-8.8	内六角圆柱头螺钉		2	
9	TE2S484010001K	后灯线束总成		1	
10	3203505D9-L	扎带		38	
11	FT65.48.095	线束紧固夹-1		2	
12	TL02484190006	后挂车插座安装板		1	
13	GBT16674.1-M8X16-8.8-A2L	六角法兰面螺栓		6	
14	TL02484190007a	后灯线束护板-1		1	
15	TB550.484.2	制动灯开关		1	
16	TL02484190009	后灯线束护板-2		1	
17	TB1S486010002K	后刮水器总成		1	
18	TC03481040013	两锁总成		1	

LOWVOL
zn D20743

TE3S453030000K INTERIOR TRIM ASSEMBLY

LOWVOL
zn D20743

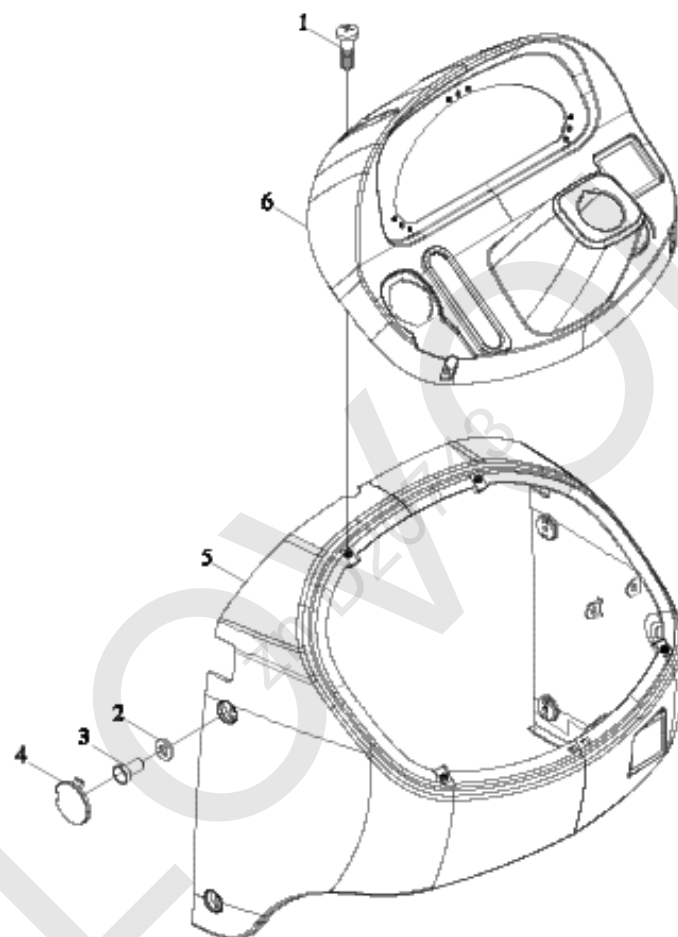


TE3S453030000K INTERIOR TRIM ASSEMBLY

No.	Part No.	Description	Version	QTY.	Remark
	TE3S453030000K	INTERIOR TRIM ASSEMBLY	002	1	
1	TE2S453020001K	LEFT FLOOR MAT		1	
2	TE3S453030001K	RIGHT FLOOR MAT		1	
3	TE3S453020002K	MIDDLE FLOOR MAT		1	
4	GBT96. 1-6-A3L	LARGE WASHER		4	
5	GBT16674. 1-M6X25-8. 8-A2L	HEX FLANGE BOLTS		4	
6	TE2S453010006K	PLASTIC SPLIT PIN		2	
7	TE2S453010005K	U PLATE UPHOLSTERY		1	

TE3S456010000K COWL

LOWVOLT
zn D20743

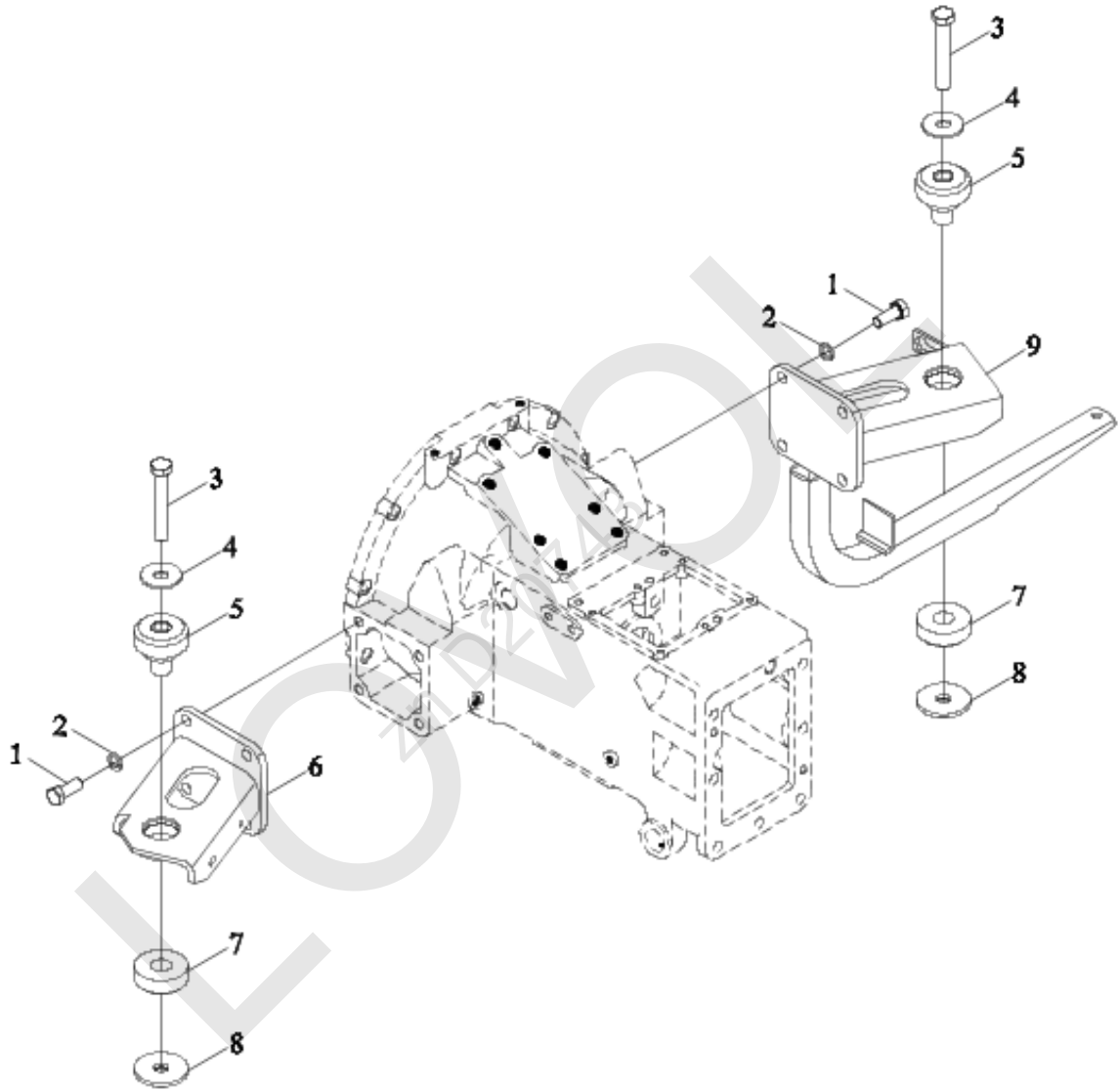


TE3S456010000K COWL

No.	Part No.	Description	Version	QTY.	Remark
	TE3S456010000K	DASHBOARD ASSEMBLY	002	1	
1	GBT818-M5X20-4.8-A2L	CROSS RECESSED PAN HEAD SCREWS		4	
2	GBT97.1-6-A3L	FLAT WASHERS		4	
3	GBT5783-M6X12-8.8-A2L	HEX HEAD BOLTS		4	
4	TL02456010006	LOWER COVER PLATE PLUG COVER		4	
5	TL02456010001	DASHBOARD LOWER COVER		1	
6	TE3S456010001K	UPPER COVER PLATE		1	

TE3S457010000K FRONT CONNECTING ASSEMBLY

LOWVOL
zn D20743

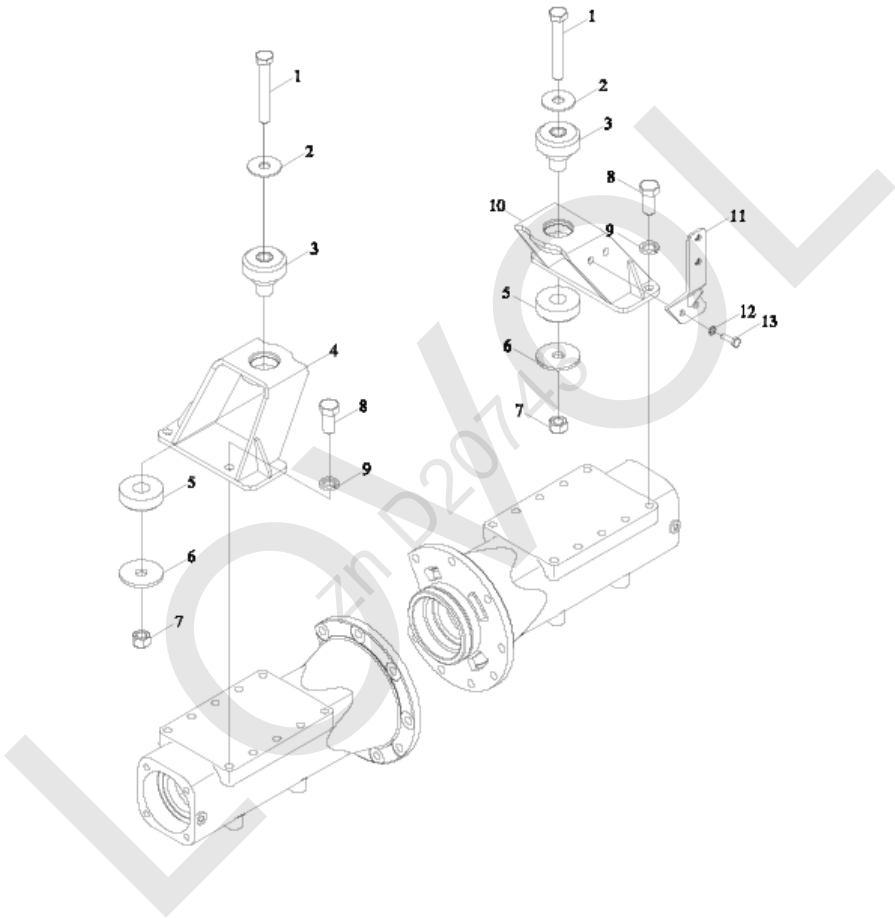


TE3S457010000K FRONT CONNECTING ASSEMBLY

No.	Part No.	Description	Version	QTY.	Remark
	TE3S457010000K	FRONT CONNECTING ASSEMBLY	002	1	
1	GBT5783-M14X35-10.9-A3L	HEX HEAD BOLTS		8	
2	GBT93-14-A3L	STANDARD SPRING WASHER		8	
3	GBT5782-M16X100-10.9-A3L	HEX HEAD BOLTS		2	
4	GBT96.1-16-A3L	LARGE WASHER		2	
5	TL02457030001	UPPER SHOCK ABSORBER		2	
6	TL02457021000	LEFT FRONT CONNECTION WELDMENT		1	
7	TL02457030002	LOWER SHOCK ABSORBER		2	
8	TH1C458010008	WASHER		2	
9	TE3S457010001K	RIGHT FRONT CONNECTION WELDMENT		1	

TE2S458010000K REAR CONNECTION ASSEMBLY

LOWVOLT
zn D20743

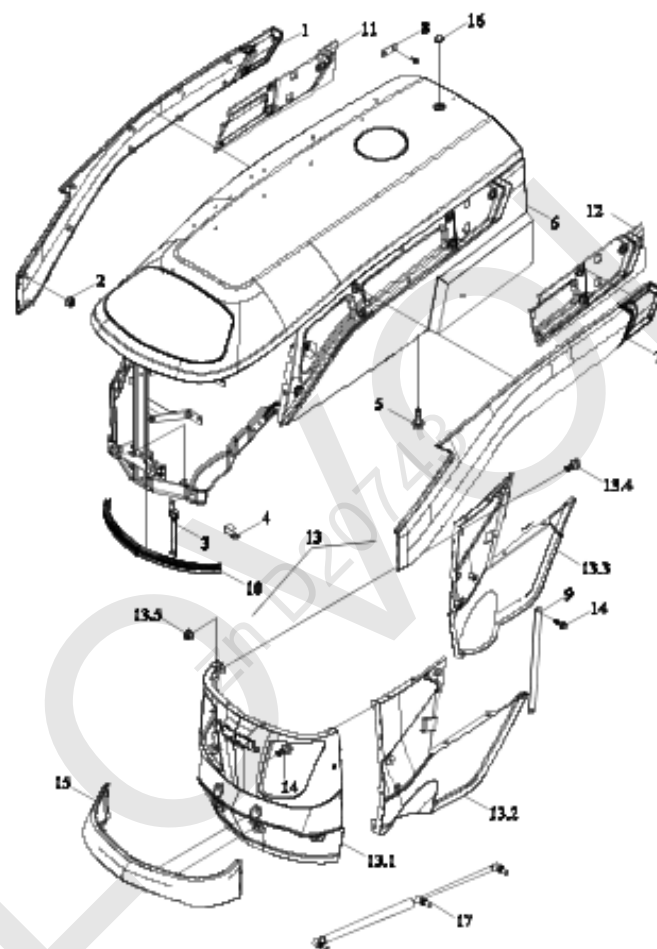


TE2S458010000K REAR CONNECTION ASSEMBLY

No.	Part No.	Description	Version	QTY.	Remark
	TE2S458010000K	REAR CONNECTING ASSEMBLY	001	1	
1	GBT5782-M16X110-10.9-A3L	HEXAGON BOLT		2	
2	GBT96.1-16-A0P	BIG WASHER		2	
3	TL02457030001	UPPER SHOCK ABSORBER		2	
4	TL02458030001	LEFT REAR CONNECTING WELDMENT		1	
5	TL02457030002	LOWER SHOCK ABSORBER		2	
6	TL02457030003	WASHER		2	
7	GBT6184-M16-8-A3L	HEXAGON LOCKING NUT, TYPE-1		2	
8	GBT5783-M12X25-10.9-A3L	HEXAGON BOLT		8	
9	GBT93-12-A3L	STANDARD SPRING WASHER		8	
10	TE2S458010002K	RIGHT REAR CONNECTING WELDMENT		1	
11	TE2S458010004K	BRACKET WELDMENT		1	
12	GBT93-8-A0P	STANDARD SPRING WASHER		2	
13	GBT5783-M8X25-8.8-A2L	HEXAGON BOLT		2	

TE3S471050000K HOOD ASSEMBLY

LOWELOW
zn D20743



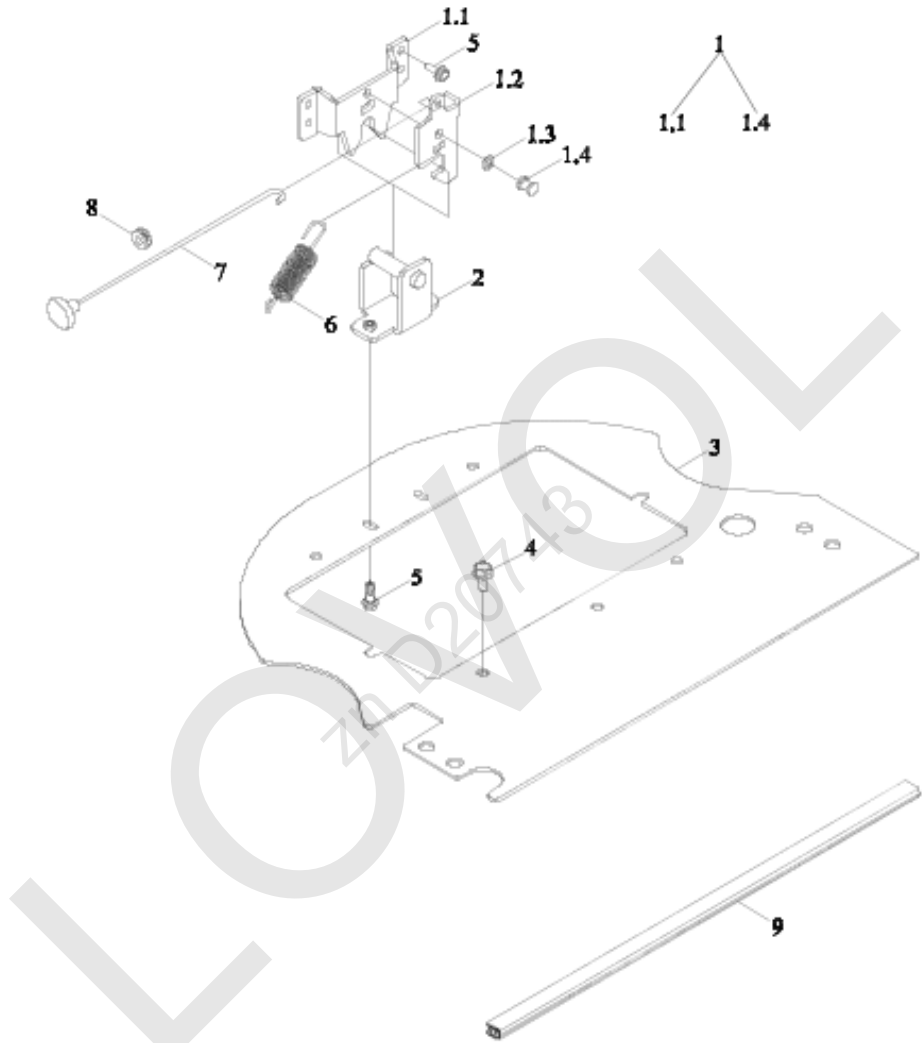
TE3S471050000K HOOD ASSEMBLY

No.	Part No.	Description	Version	QTY.	Remark
	TE3S471050000K	BONNET INSTALLATION ASSEMBLY	003	1	
1	TL02471040007a	BONNET RIGHT FRONT ADORN BOARD		1	
2	GBT6177. 1-M6-8-A2L	HEXAGON FLANGE NUT		38	
3	TE4S471010011	BONNET PULL WIRE		1	
4	FT65. 48. 095	HARNES FIXING CLAMP		3	
5	GBT5789-M6X16-8. 8-A2L	HEX FLANGE BOLTS		2	
6	TE3S471030001Ka	BONNET WELDMENT		1	
7	TL02471040006a	BONNET LEFT FRONT ADORN BOARD		1	
8	TL02471041026	RETAINER BLOCK		2	
9	TE2S475010006K	BRACKET		2	
10	TL02471040008	FRONT LOWER CUSHION STRIP		1	
11	TE3S471020019K	INSULATION COTTON		1	
12	TE3S471020018K	INSULATION COTTON		1	
13	TE2S471050020K	BONNET MESH PLATE		1	
13. 1	TY1S471010005K	BONNET FRONT MESH PLATE		1	
13. 2	TL02471040003	BONNET LEFT MESH PLATE		1	
13. 3	TL02471040004	BONNET RIGHT MESH PLATE		1	
13. 4	GBT16674. 1-M6X16-8. 8-A2L	HEX FLANGE BOLTS		8	
13. 5	GBT6177. 1-M6-8-A2L	HEXAGON FLANGE NUT		8	
14	GBT5789-M6X12-8. 8-A2L	HEX FLANGE BOLTS		29	
15	TL02471040005	BONNET FRONT ADORN BOARD		1	
16	TS06471010005	PLUG		1	
17	BZF0102-012	GAS SPRING		1	

LOWVOL
zn D20743

TE3S473010000K LOCKING ASSEMBLY (HOOD)

LOWVOL
zn D20743

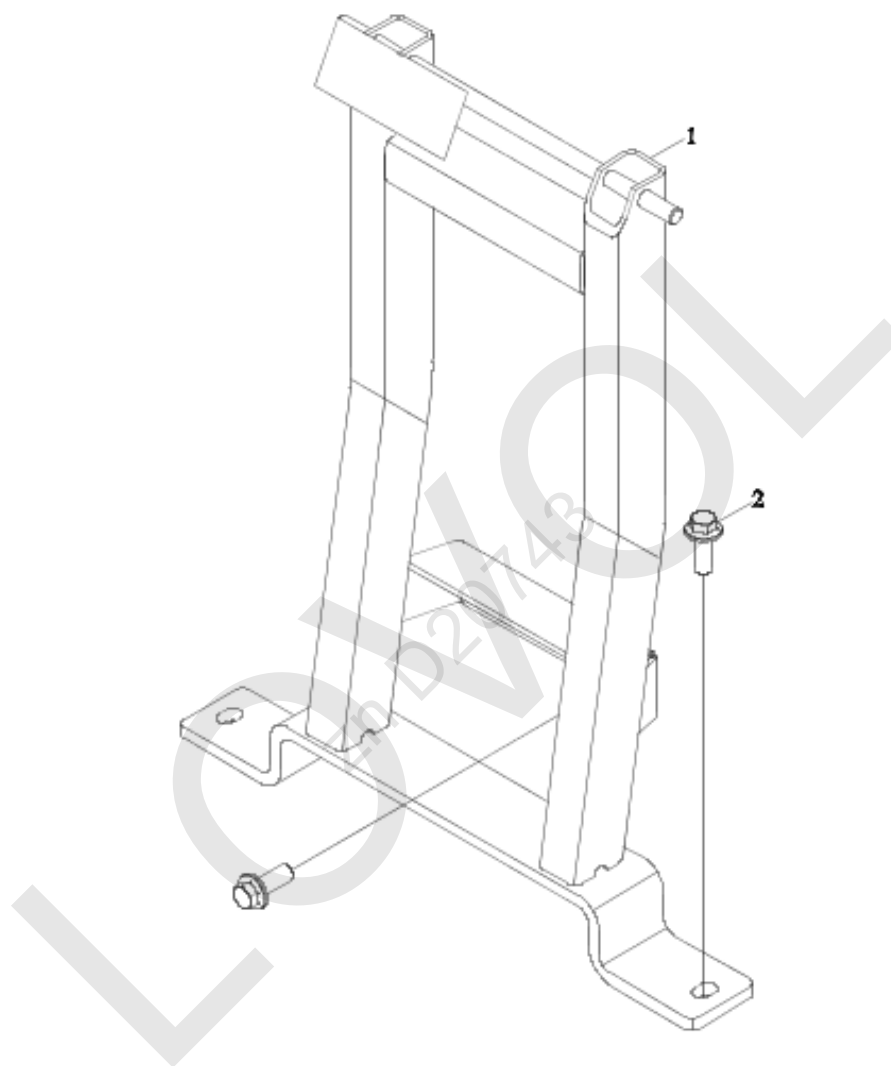


TE3S473010000K LOCKING ASSEMBLY (HOOD)

No.	Part No.	Description	Version	QTY.	Remark
	TE3S473010000K	BONNET LOCKING DEVICE ASSEMBLY	003	1	
1	TE2S473010011Ka	BONNET LOCK ASSEMBLY		1	
1.1	TE2S473010012K	LOCK PLATE		1	
1.2	TE2S473010013Ka	LOCK HOOK		1	
1.3	TS06473010014	GASKET		1	
1.4	TL02473020012	RIVET		1	
2	TY1S473010006Ka	LOCK COLUMN WELDMENT		1	
3	TE3S473010001K	PAD		1	
4	GBT5789-M8X16-8.8-A2L	HEX FLANGE BOLTS		4	
5	GBT16674.1-M6X16-8.8-A2L	HEX FLANGE BOLTS		6	
6	TL02473020009a	BONNET LOCK SPRING		1	
7	TE4S473010101	PULL ROD		1	
8	TB450.473-02	RUBBER RING		1	
9	BZF0062-016	AUTO PROTECTED STRIPE		1	

TE3S476020000K PORTAL FRAME ASSEMBLY

LOWLOL
zn D20743

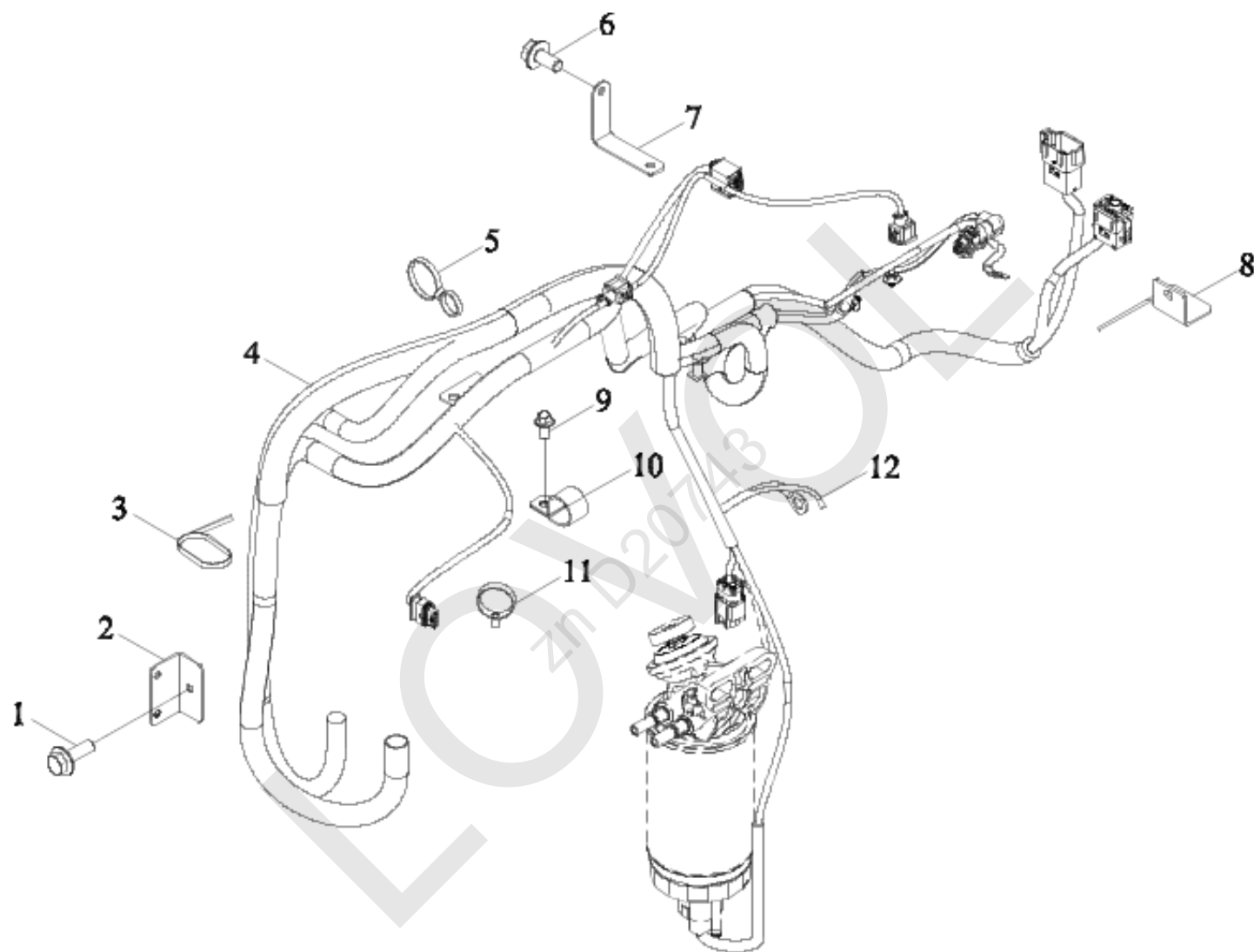


TE3S476020000K PORTAL FRAME ASSEMBLY

No.	Part No.	Description	Version	QTY.	Remark
1	TE3S476020000K	GANTRY FRAME ASSEMBLY	002	1	
1	TE3S476020010K	GANTRY WELDING		1	
2	GBT16674. 1-M10X25-8. 8-A3L	HEX FLANGE BOLTS		4	

TE3S481010000K WIRING HARNESS

LOWVOLT
zn D20743

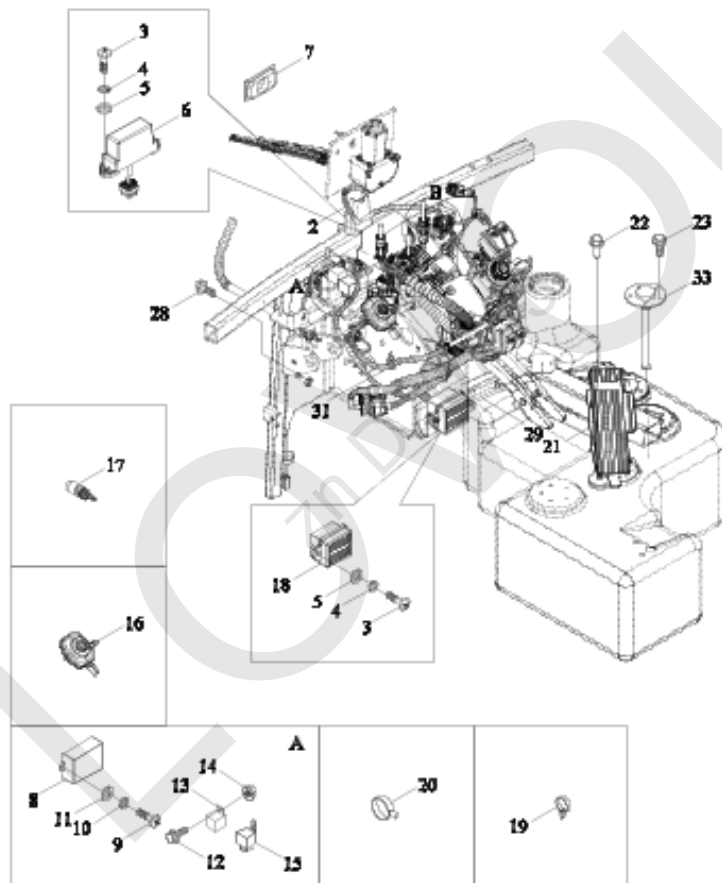


TE3S481010000K WIRING HARNESS

No.	Part No.	Description	Version	QTY.	Remark
	TE3S481010000K	ENGINE HARNESS INSTALLATION ASSEMBLY	003	1	
1	GBT16674. 1-M6X16-8. 8-A2L	HEX FLANGE BOLTS		1	
2	TE3S481010010K	Wire harness fixing bracket 1		1	
3	Q67405200	PLASTIC FASTENING STRIP		11	
4	TE3S481010001K	ENGINE HARNESS ASSEMBLY		1	
5	TG3S488010002	TIE		1	
6	GBT16674. 1-M6X12-8. 8-A2L	HEX FLANGE BOLTS		2	
7	TE3S481010012K	BRACKET		1	
8	TE3S481010006K	FIXINGBRACKET		1	
9	GBT16674. 1-M8X16-8. 8-A2L	HEX FLANGE BOLTS		1	
10	TS06482010005	HARNESS TIGHTEN CLIP		2	
11	3203505D9-L	CABLE TIE		11	
12	TB3S481010008K	TRANSITION WIRE HARNESS		1	

TE3S482010000K WIRING HARNESS

LOWVOLT
zn D20743



TE3S482010000K WIRING HARNESS

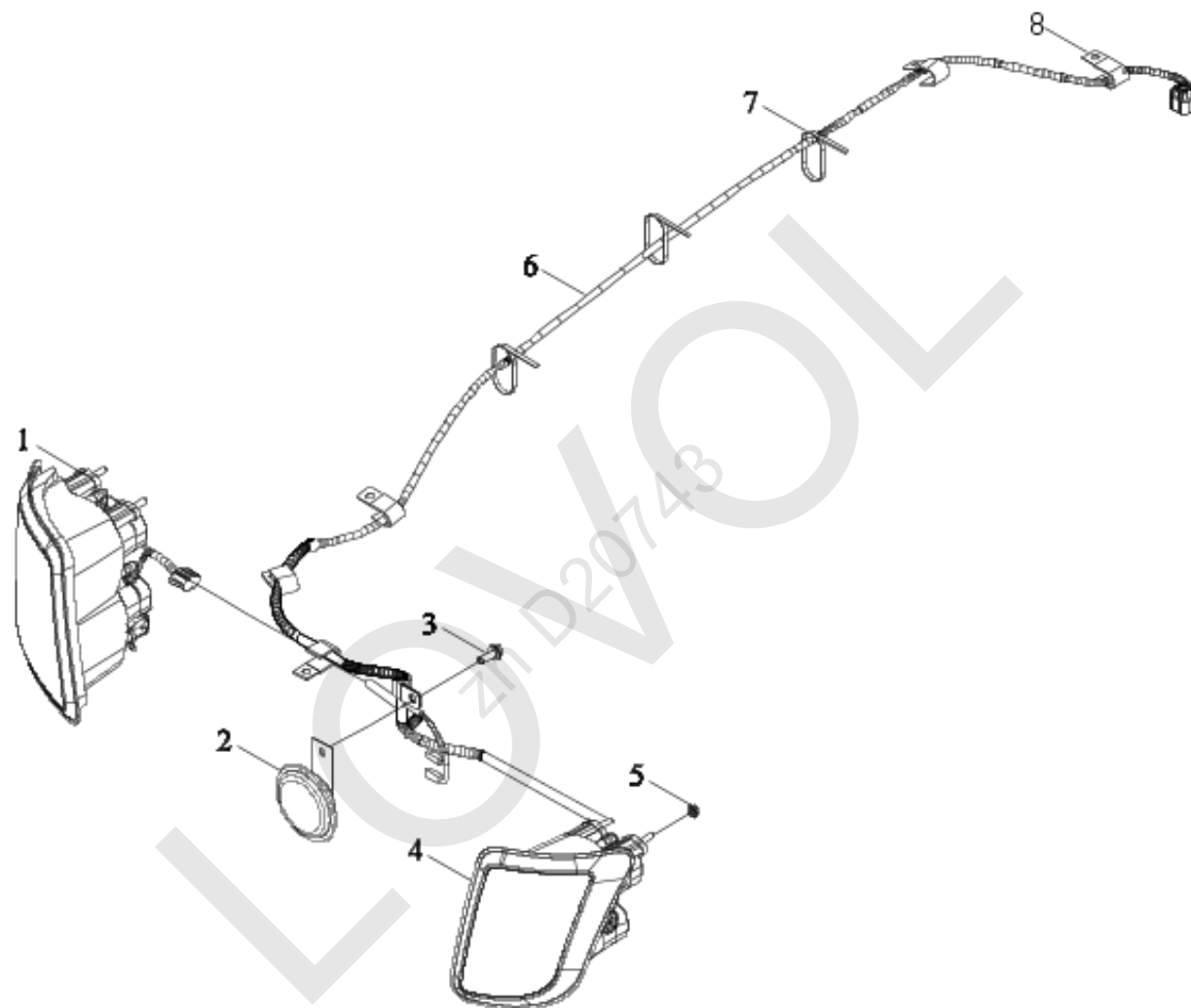
No.	Part No.	Description	Version	QTY.	Remark
	TE3S482010000K	BODY HARNESS INSTALLATION ASSEMBLY	004	1	
1	GBT6177.1-M6-8-A2L	HEXAGON FLANGE NUT		2	
2	TE3S482010001K	BODY HARNESS ASSEMBLY		1	
3	GBT818-M6X25-4.8-A2L	CROSS RECESSED PAN HEAD SCREWS		4	
4	GBT93-6-A3L	STANDARD SPRING WASHER		4	
5	GBT97.1-6-A3L	FLAT WASHERS		4	
6	TH1C482050004	RELAY BOX ASSEMBLY		1	
7	TS04482010008	RUBBER RING		1	
8	TE3S482010002K	FUSE BOX ASSEMBLY		1	
9	GBT818-M5X12-4.8-A2L	CROSS RECESSED PAN HEAD SCREWS		2	
10	GBT93-5-A3L	STANDARD SPRING WASHER		2	
11	GBT97.1-5-A3L	FLAT WASHERS		2	
12	GBT5789-M5X12-8.8-A2L	HEX FLANGE BOLTS		2	
13	TE2S482010007K	RELAY		1	
14	GBT6177.1-M5-8-A2L	HEXAGON FLANGE NUT		2	
15	FT65.48.055	LIGHT RELAY		1	
16	TE2S482010003K	COMBINED SWITCH ASSEMBLY		1	
17	RV03701000007	SWITCH OF NORMAL CLOSE		2	
18	TB1S482020002K	CONTROL BOX		1	
19	Q67405100	PLASTIC FASTENING STRIP		10	
20	3203505D9-L	CABLE TIE		12	
21	BZF0074-006	ELECTRONIC FOOT ACCELERATOR		1	
22	GBT5789-M8X16-8.8-A2L	HEX FLANGE BOLTS		3	

TE3S482010000K WIRING HARNESS (cont'd.)

No.	Part No.	Description	Version	QTY.	Remark
23	TS04481050005	SCREW M4X12		5	
24	TE3S482010003K	BRACKET		1	
25	TE3S482010006K	2-GANG PADDLE SWITCH		1	
26	BZF0074-005	ASSEMBLY CONTROL ELECTRONIC HAND THROTTLE		1	
27	TE2S482010005K	2-GANG PADDLE SWITCH		1	
28	GBT5789-M8X12-8. 8-A2L	HEX FLANGE BOLTS		3	
29	TE3S482010005K	TRANSITION WIRE HARNESS		1	
30	FT300. 48. 055	STARTING RELAY		1	
31	TE3S482010013K	HARNESS ASSEMBLY		1	
32	GBT5789-M6X16-8. 8-A2L	HEX FLANGE BOLTS		5	
33	TE250. 482A. 4	OIL QUANTITY SENSOR		1	

TE3S483010000K WIRING HARNESS-FRONT

LOWVOLT
zn D20743

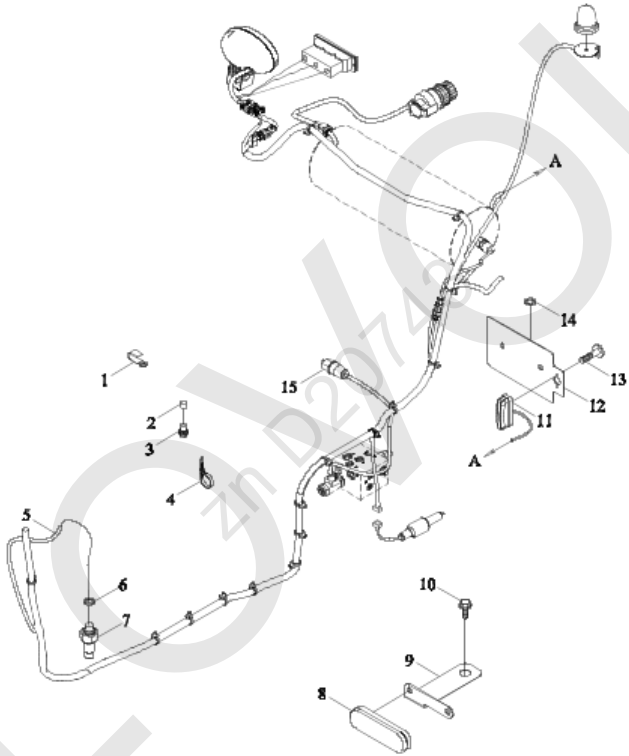


TE3S483010000K WIRING HARNESS-FRONT

No.	Part No.	Description	Version	QTY.	Remark
	TE3S483010000K	FRONT LAMP HARNESS INSTALLATION ASSEMBLY	003	1	
1	TE2S483010001K	RIGHT FRONT LAMP		1	
2	TB1S483030001K	ELECTRIC HORN		1	
3	GBT16674. 1-M8X20-8. 8-A2L	HEX FLANGE BOLTS		1	
4	TE2S483010002K	LEFT FRONT LAMP		1	
5	GBT6177. 1-M6-8-A2L	HEXAGON FLANGE NUT		6	
6	TE3S483010001K	FRONT LAMP HARNESS ASSEMBLY		1	
7	Q67405200	PLASTIC FASTENING STRIP		3	
8	TS04481010006	HARNESS TIGHTEN CLIP		1	

TE2S48406000K WIRING HARNESS-REAR

LOWVOLT
zn D20743

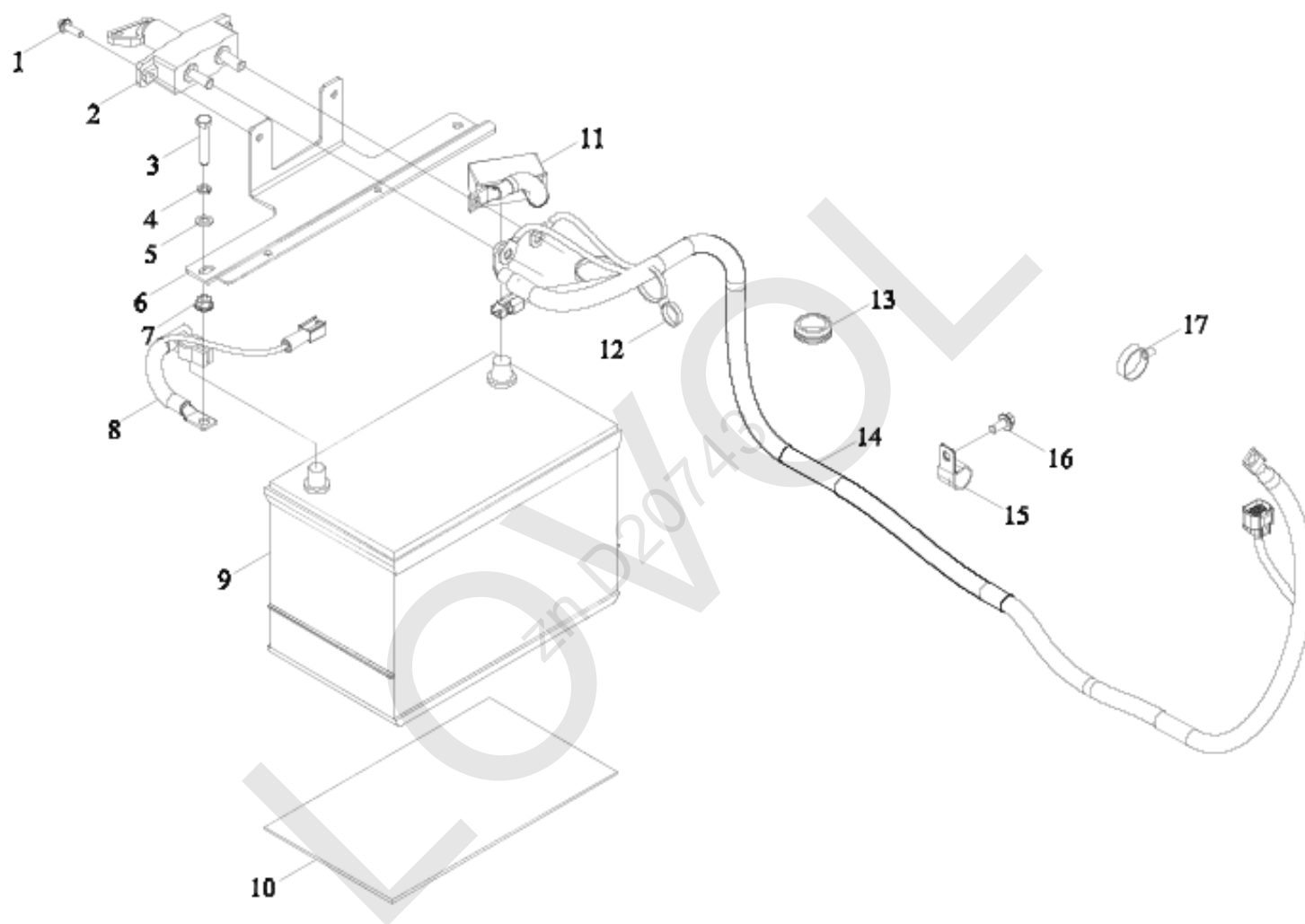


TE2S484060000K WIRING HARNESS-REAR

No.	Part No.	Description	Version	QTY.	Remark
	TE2S484060000K	REAR LAMP HARNESS INSTALLATION ASSEMBLY	001	1	
1	FT65. 48. 095	HARNESS FIXING CLAMP		2	
2	G20B20. 34. 9-02	MAGNETIC STEEL		1	
3	TD2C482020001	APPROACH SWITCH		1	
4	Q67405100	PLASTIC FASTENING STRIP		3	
5	TE2S484010008K	WIRING HARNESS		1	
6	JBT982-16	COMBINATION GASKET		1	
7	TB1S482020005K	SWITCH		1	
8	TS06484020003K	REFLECTOR		2	
9	TE2S484010009K	REFLECTOR INSTALLATION PLATE		2	
10	GBT16674. 1-M12X20-8. 8-A3L	HEX FLANGE BOLTS		1	
11	TA700. 484A. 2. 1	LICENSE LAMP		1	
12	TE2S484010003K	NAMEPLATE LAMP BRACKET WELDMENT		1	
13	GBT845-ST3. 5X16-A2L	CROSS RECESSED PAN HEAD TAPPING SCREWS		2	
14	JBT982-10	COMBINATION GASKET		1	
15	TB1S482020003K	STEERING LOWER PRESSURE ALARM SWITCH		1	

TE3S485010000K BATTERY ASSEMBLY

LOWVOLT
zn D20743

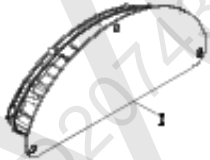


TE3S48501000K BATTERY ASSEMBLY

No.	Part No.	Description	Version	QTY.	Remark
	TE3S48501000K	BATTERY INSTALLATION ASSEMBLY	003	1	
1	GBT16674. 1-M6X20-8. 8-A2L	HEX FLANGE BOLTS		2	
2	TC03485080003	POWER SWITCH		1	
3	GBT5783-M8X45-8. 8-A2L	HEX HEAD BOLTS		2	
4	GBT93-8-A3L	STANDARD SPRING WASHER		2	
5	GBT97. 1-8-A3L	FLAT WASHERS		2	
6	TE3S485010001K	BATTERY PRESSURE PLATE		1	
7	GBT6177. 1-M8-8-A2L	HEXAGON FLANGE NUT		2	
8	TE2C485050002	CONNECTING WIRE		1	
9	TE250. 24B. 1L	BATTERY ASSEMBLY		1	
10	FT250. 24B. 103	RUBBER SKIN		1	
11	TB3S485010003K	BATTERY POSITIVE CABLE		1	
12	TG3S488010002	TIE		1	
13	FT65. 48. 092	THROUGH HARNESS WASHER 3		1	
14	TE3C485020004	Starter power line assembly		1	
15	TC05485040005	HARNESS TIGHTEN CLIP		3	
16	GBT16674. 1-M8X16-8. 8-A2L	HEX FLANGE BOLTS		4	
17	3203505D9-L	CABLE TIE		2	

TE3S487020001K INSTRUMENT CLUSTER

LOWVOLT
zn D20743



LOWOL
zn D20743

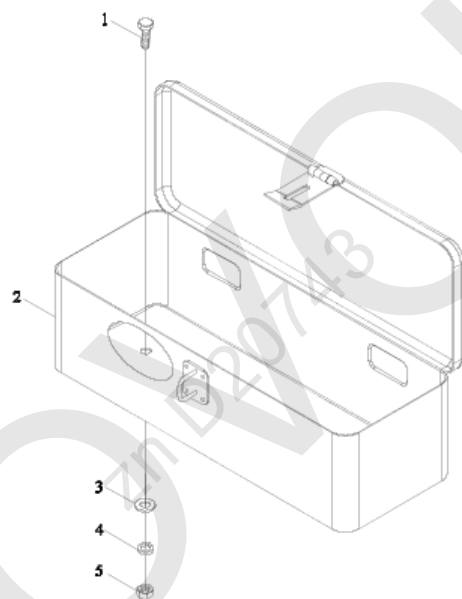
TE3S487020001K INSTRUMENT CLUSTER

No.	Part No.	Description	Version	QTY.	Remark
1	TE3S487020001K	COMBINED INSTRUMENT ASSEMBLY	003	1	
	TE3S487020001K	COMBINED INSTRUMENT ASSEMBLY		1	

LOWOL
zn D20743

FT250. 49. 001 TOOL BOX

LOWVOL
zn D20743

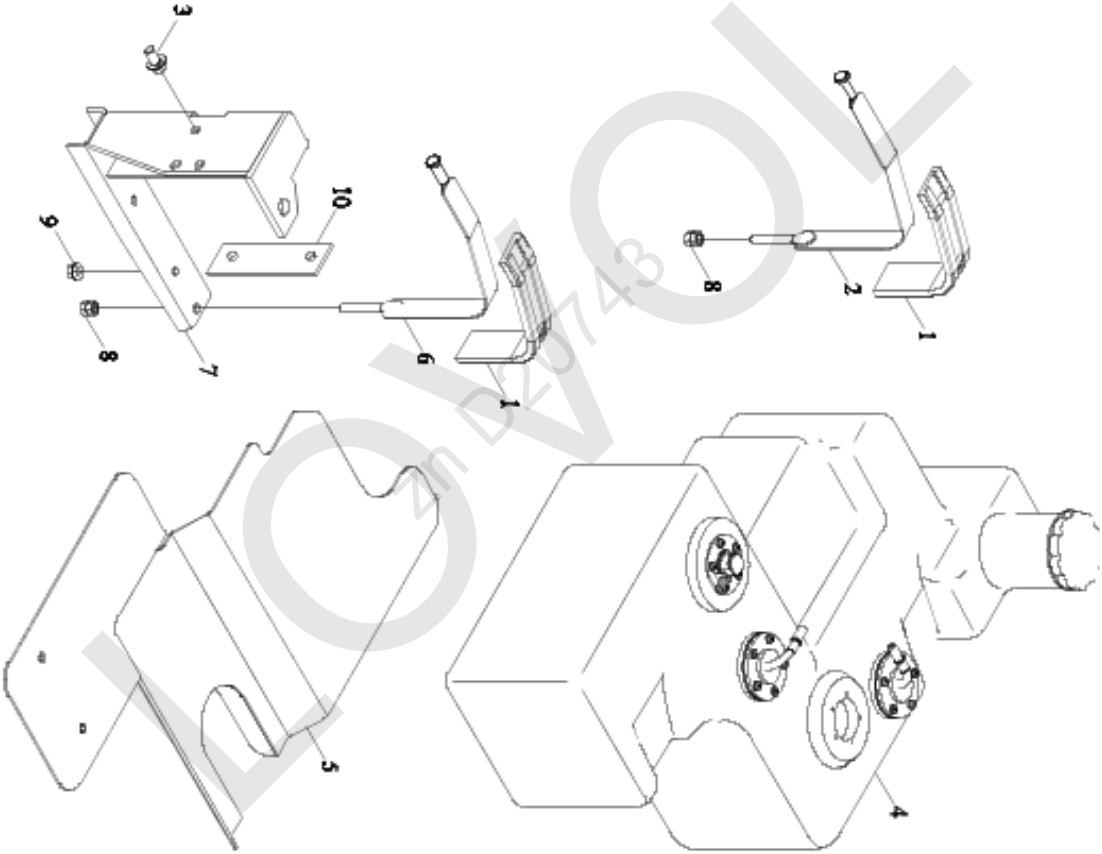


FT250. 49. 001 TOOL BOX

No.	Part No.	Description	Version	QTY.	Remark
	FT250. 49. 001	TOOL BOX INSTALLATION ASSEMBLY	001		
1	GBT5781-M8X20-4. 8-A2L	BOLT		2	
2	FT250. 49. 010	TOOLBOX ASSEMBLY		1	
3	GBT97. 1-8-A0P	WASHER		2	
4	GBT93-8-A0P	WASHER		2	
5	GBT6170-M8-8-A2L	NUT		2	

LOWVOL
zn D20743

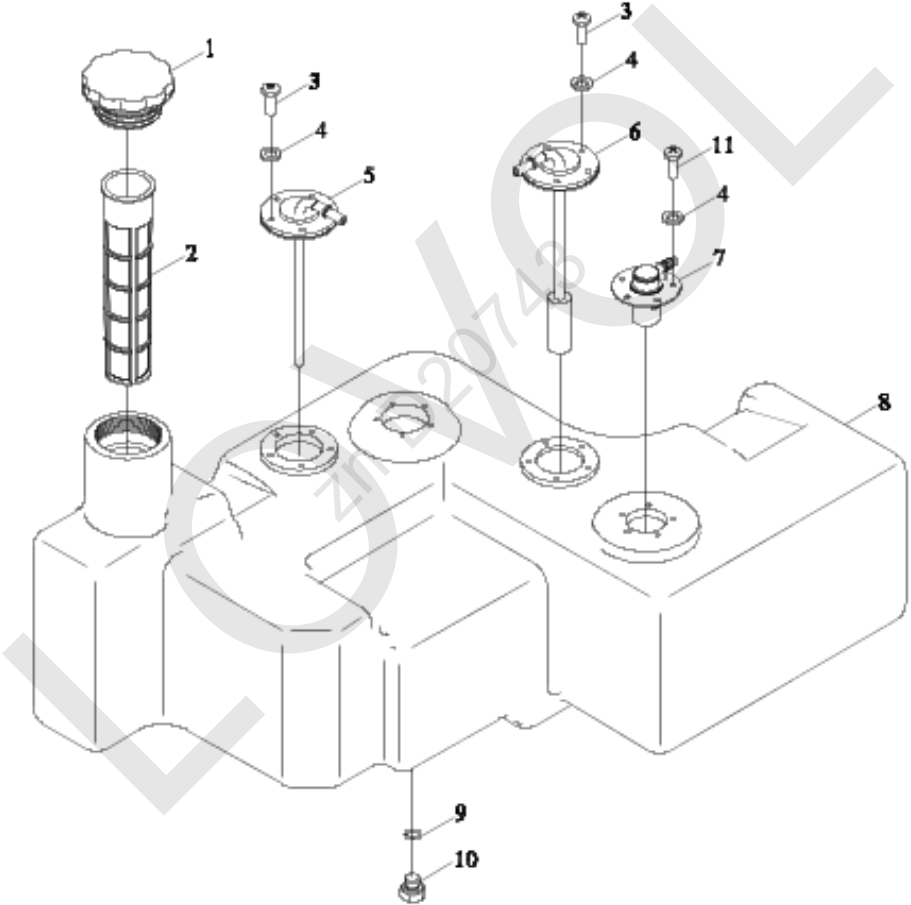
TE3S501010000K FUEL TANK ASSEMBLY-1



TE3S501010000K FUEL TANK ASSEMBLY-1

No.	Part No.	Description	Version	QTY.	Remark
	TE3S501010000K	FUEL TANK INSTALLATION ASSEMBLY	004	1	
1	TE3S501010014K	RUBBER STRIP		2	
2	TE3S501010017K	TIE		1	
3	GBT16674. 1-M12X20-8. 8-A3L	HEX FLANGE BOLTS		3	
4	TE3S501010003K	FUEL TANK ASSEMBLY		1	
5	TE3S501010008K	OIL TANK GUARD PLATE WELDMENT		1	
6	TE3S501010016K	TIE		1	
7	TE3S501010010K	FRONT BRACKET WELDMENT		1	
8	GBT6170-M10-8-A3L	TYPE 1 HEX NUT		4	
9	GBT6177. 1-M10-8-A3L	HEXAGON FLANGE NUT		2	
10	TE3S501010004K	CUSHION		1	

TE3S501010000K FUEL TANK ASSEMBLY-2



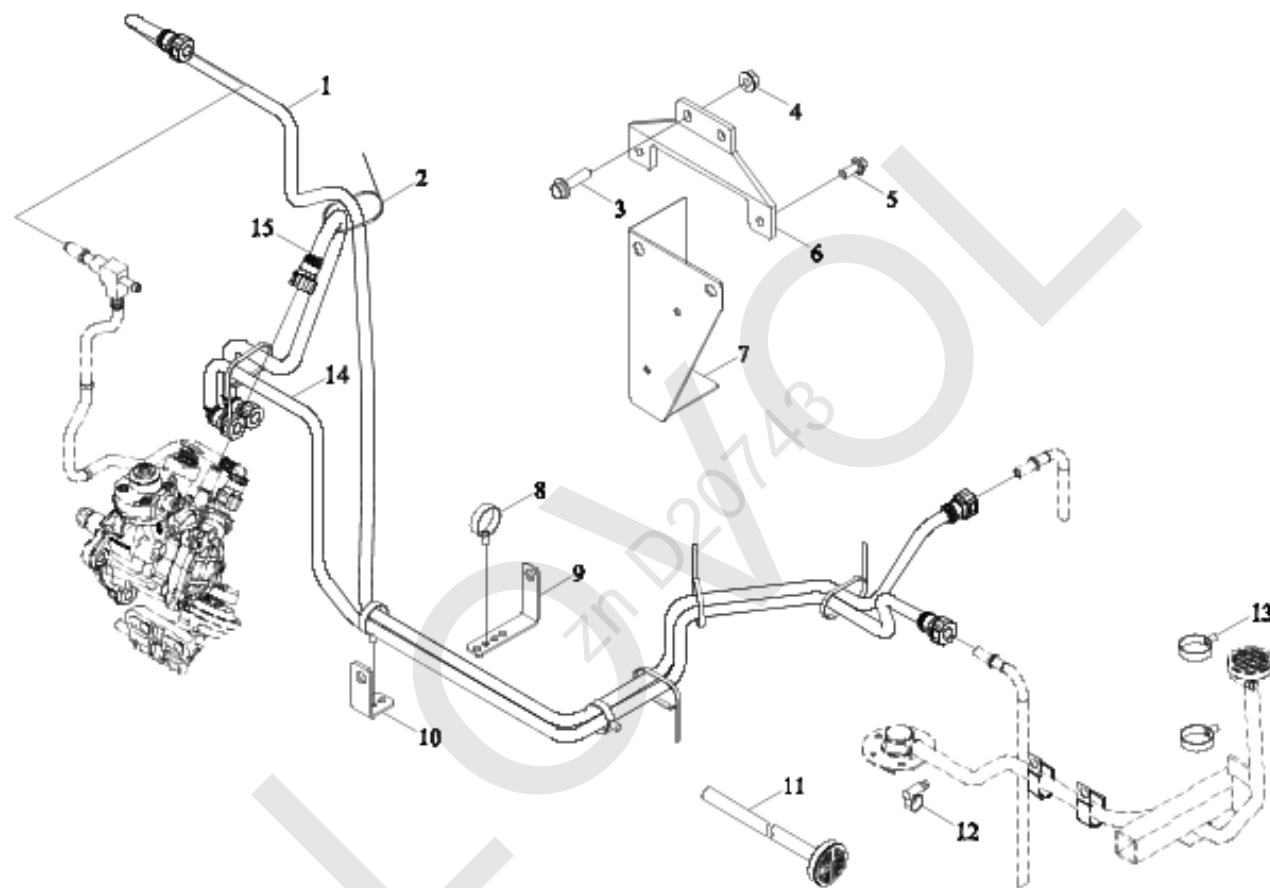
TE3S501010000K FUEL TANK ASSEMBLY-2

No.	Part No.	Description	Version	QTY.	Remark
	TE3S501010003K	FUEL TANK ASSEMBLY		1	
	TE3S501010000K	FUEL TANK INSTALLATION ASSEMBLY		1	
1	BZF0085-002	OIL TANK COVER		1	
2	TF1004. 501. 1-02	FILTER MESH		1	
3	GBT818-M5X14-4. 8-A2L	CROSS RECESSED PAN HEAD SCREWS		10	
4	GBT848-6-A3L	SMALL WASHER		15	
5	TE3S501010020K	OILRETURNPORTASSEMBLY		1	
6	TE3S501010019K	OIL OUTER		1	
7	BZF0098-001	CHECK VALVE		1	
8	TE3S501010002K	OIL TANK HOUSING		1	
9	TS09580010005	O-RING		1	
10	FT65. 50. 226	OIL DRAIN PLUG		1	
11	GBT818-M5X12-4. 8-A2L	CROSS RECESSED PAN HEAD SCREWS		5	

LOWVOL
zn D20743

TE3S503010000K OIL CONVEYING PIPE ASSEMBLY

LOWVOL
zn D20743

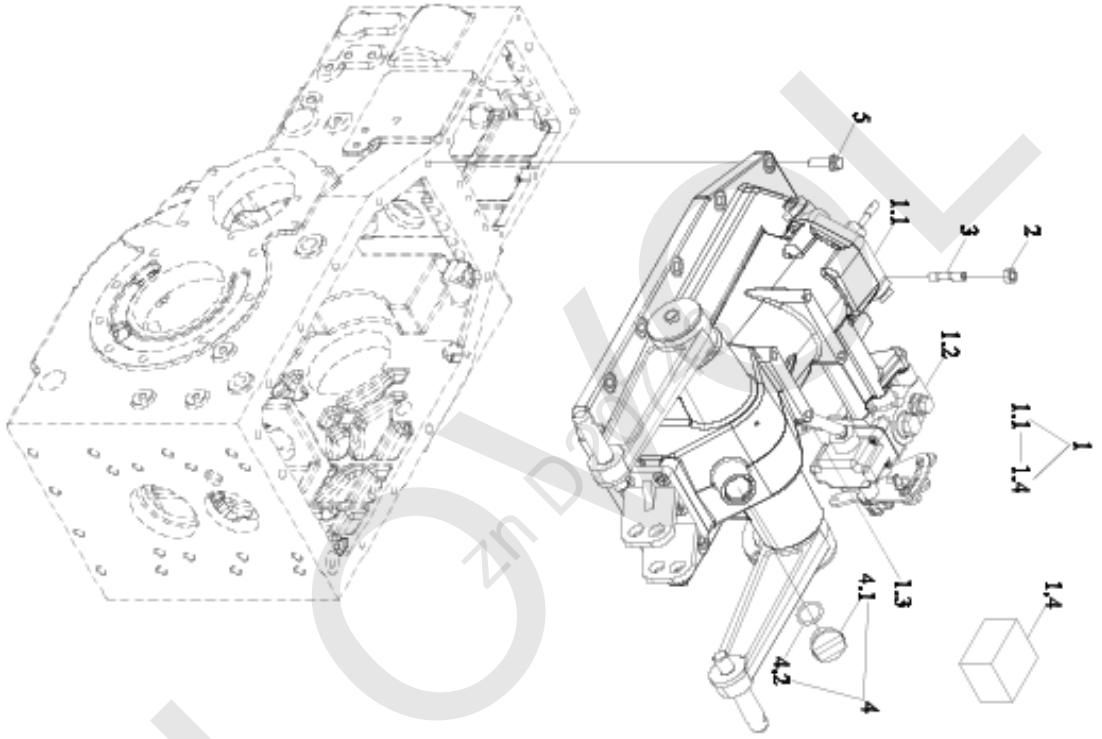


TE3S503010000K OIL CONVEYING PIPE ASSEMBLY

No.	Part No.	Description	Version	QTY.	Remark
	TE3S503010000K	OIL CONVEYING PIPE ASSEMBLY	004	1	
1	TE3S503010003K	TUBE, FUEL DRAIN		1	
2	Q67405200	PLASTIC FASTENING STRIP		5	
3	GBT16674. 1-M10X35-8. 8-A3L	HEX FLANGE BOLTS		2	
4	GBT6177. 1-M10-10-A3L	HEXAGON FLANGE NUT		2	
5	GBT16674. 1-M8X20-8. 8-A2L	HEX FLANGE BOLTS		2	
6	TE3S503010009K	MOUNTING PLATE 1		1	
7	TE3S503010008K	BRACKET		1	
8	3203505D9-L	CABLE TIE		5	
9	TE3S503010006K	Tubing bracket		1	
10	TE3S503010007K	Tubing bracket		1	
11	TS04501060003	BREATH ASSEMBLY		1	
12	Q67516	A TYPE WORM DRIVE TYPE HOSE HOOP		1	
14	TE3S503010001K	OIL INLET PIPE		1	
15	TE3S503010002K	OIL INLET PIPE		1	

TE3S551010000K LIFTER ASSEMBLY

LOWLOL
zn D20743

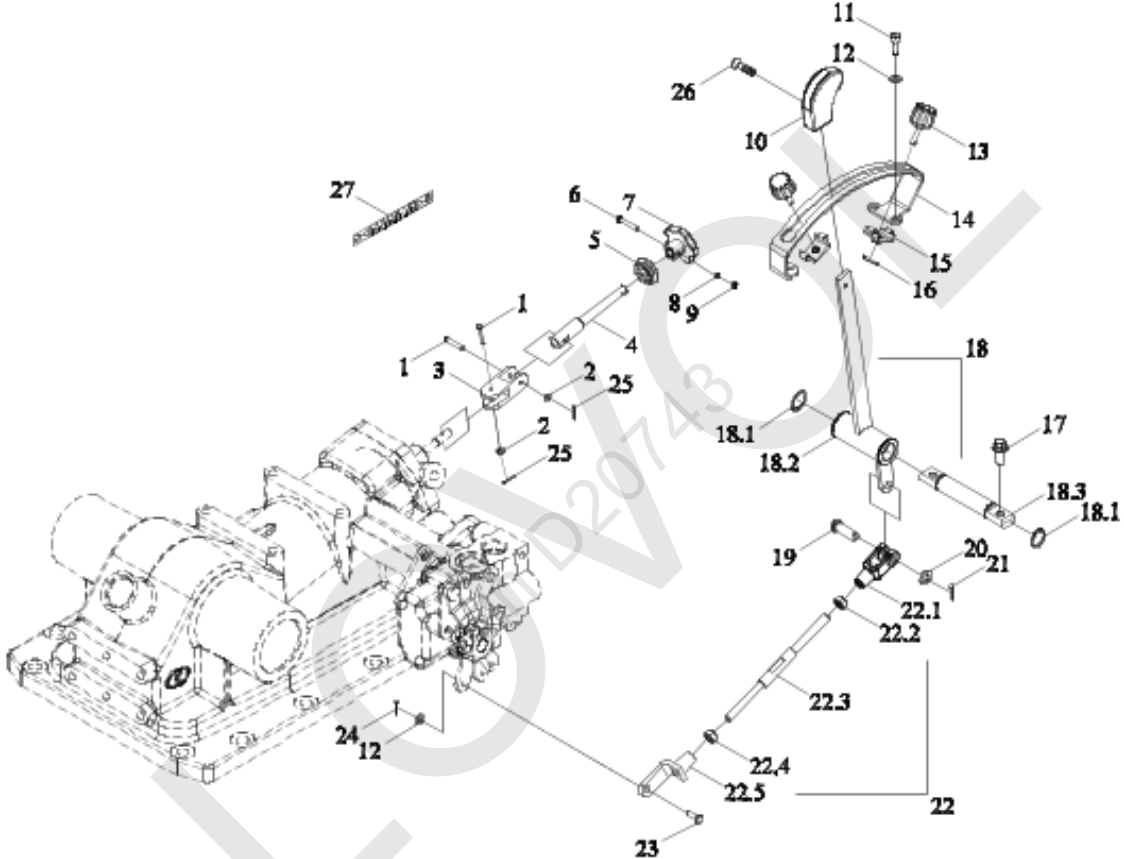


TE3S551010000K LIFTER ASSEMBLY

No.	Part No.	Description	Version	QTY.	Remark
	TE3S551010000K	LIFTER INSTALLATION ASSEMBLY	003	1	
1	TE3S551010001K	LIFTER INSTALLATION ASSEMBLY		1	
1.1	TE3S551010004K	LIFTER ASSEMBLY		1	
1.2	TY1S551020002K	DISTRIBUTOR ASSEMBLY		1	
1.3	TE3S551010003K	ADJUSTING ROD		1	
1.4	TY1S960010001K	LIFTER REPAIR KIT		1	
2	GBT6170-M10-10-A3L	TYPE 1 HEX NUT		2	
3	GBT899-M10X35-10.9-A3L	STUD		2	
4	TY1S551010003K	OIL FILLING SCREW PLUG		1	
4.1	TY1S551010002K	FILER SCREW PLUGE		1	
4.2	TS09580010011	O-RING		1	
5	GBT16674.1-M10X35-10.9-A3L	HEX FLANGE BOLTS		10	

TE3S552010000K CONTROL ASSEMBLY (LIFTER)

LOWVOL
zn D20743



TE3S552010000K CONTROL ASSEMBLY (LIFTER)

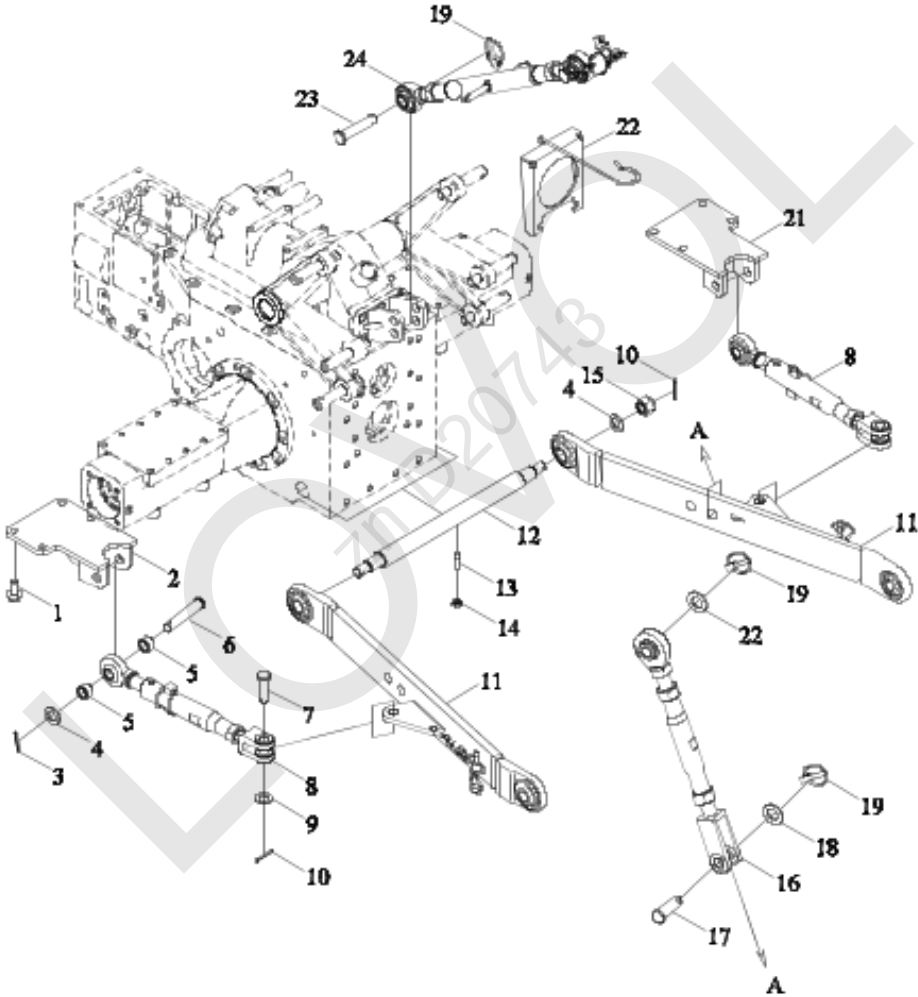
No.	Part No.	Description	Version	QTY.	Remark
	TE3S552010000K	LIFTER OPERATION ASSEMBLY	003	1	
1	GBT882-B4X24-A0P	PIN		2	
2	GBT97. 1-4-A3L	FLAT WASHERS		2	
3	TE3S552010006K	The connector		1	
4	TE3S552010005K	LOW SPEED CONTROL LEVER		1	
5	TS04582010027	RUBBER RING		1	
6	GBT5782-M4X25-8. 8-A2L	HEX HEAD BOLTS		1	
7	TY1S552020011K	DESCENDING SPEED ADJUSTING HANDLE WHEEL		1	
8	GBT93-4-A3L	STANDARD SPRING WASHER		1	
9	GBT6170-M4-8-A2L	TYPE 1 HEX NUT		1	
10	TD924. 582A-03	HANDLE HEAD		1	
11	GBT70. 1-M6X20-8. 8-A2L	HEXAGON SOCKET HEAD CAP SCREW		3	
12	GBT97. 1-6-A3L	FLAT WASHERS		5	
13	TB704. 58A. 14	LIMITING HANDLE WHEEL ASSEMBLY		2	
14	TE3S552010012K	LIMIT PLATE		1	
15	TB704. 58A. 15	RETAINER PLATE		2	
16	GBT91-1. 6X16-A3L	COTTER PIN		2	
17	GBT16674. 1-M8X20-8. 8-A2L	HEX FLANGE BOLTS		2	
18	TE3S552010001K	CONTROL ARM ASSEMBLY		1	
18. 1	GBT894. 1-18	RETAINING RING FOR SHAFT		2	
18. 2	TE3S552010013K	CONTROL ARM		1	
18. 3	TE3S552010004K	FIXING SHAFT		1	
19	GBT882-B8X30-A3L	PIN		1	

TE3S55201000K CONTROL ASSEMBLY (LIFTER) (cont'd.)

No.	Part No.	Description	Version	QTY.	Remark
20	GBT97. 1-8-A3L	FLAT WASHERS		1	
21	GBT91-2. 5X12-A0P	COTTER PIN		1	
22	TE3S552010007K	ADJUSTING ROD		1	
22. 1	TB504. 552D. 3-03	RIGHT REVOLVING CONNECTING FORK		1	
22. 2	GBT6170-M8-8-A2L	TYPE 1 HEX NUT		1	
22. 3	TE3S552010008K	CONTROL PULL ROD		1	
22. 4	GBT6170-M8-LH-8-A2L	TYPE 1 HEX NUT		1	
22. 5	TB3S552030014	LEFT REVOLVING PULL ROD FORK		1	
23	GBT882-B6X16-A3L	PIN		1	
24	GBT91-1. 6X12-A3L	COTTER PIN		1	
25	GBT91-1X10-A3L	COTTER PIN		2	
26	GBT819. 1-M4X10-4. 8-A2L	CROSS RECESSED COUNTERSUNK HEAD SCREWS		1	
27	TY1S552010014K	SIGN		1	

LOWVOL
zn D20743

TE3S561010000K SUSPENSION ASSEMBLY-1



TE3S561010000K SUSPENSION ASSEMBLY-1

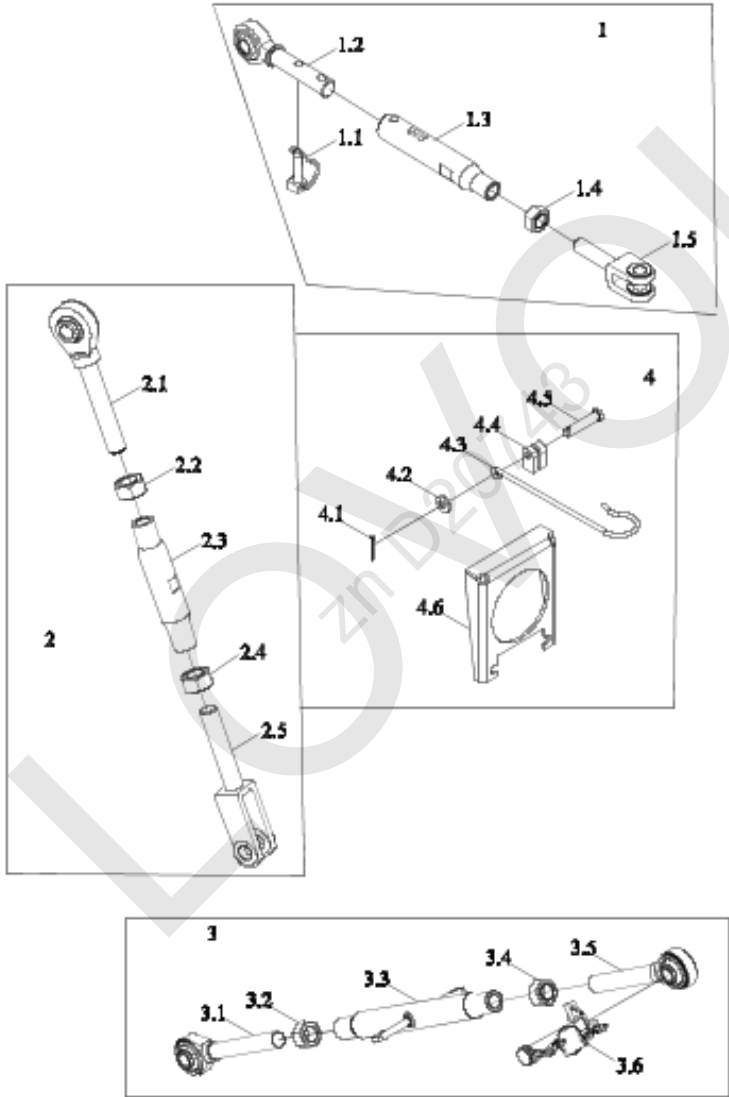
No.	Part No.	Description	Version	QTY.	Remark
	TE3S561010000K	SUSPENSION ASSEMBLY	002	1	
1	GBT5789-M14X30-10.9-A3L	HEX FLANGE BOLTS		8	
2	TE300.56.5a	LEFT LIMITING ROD BRACKET WELDMENT		1	
3	GBT91-3.2X36-A3L	COTTER PIN		2	
4	GBT97.1-20-A3L	FLAT WASHERS		4	
5	FT300.56A.103	SLEEVE		4	
6	TE300.56-07	LIMITING ROD CONNECTING PIN		2	
7	GBT882-B18X60-A3L	PIN		2	
8	TE3S561010016K	LIMIT ROD ASSEMBLY		2	
9	GBT97.1-18-A3L	FLAT WASHERS		2	
10	GBT91-4X40-A3L	COTTER PIN		4	
11	TE3S561010012K	LOWER PULL ROD ASSEMBLY		2	
12	TE300.56-04	LOWER PULL ROD FIXING SHAFT		1	
13	FT250.56.125	THRUST SCREW		1	
14	GBT6172.1-M12-04-A3L	HEXAGON THIN NUT		1	
15	GBT6178-M20-8-A9L	HEXAGON SLOTTED NUT, STYLE 1		2	
16	TE3S561010003K	LIFTING ROD ASSEMBLY		2	
17	TE3C561140021	LIFTING ROD LOWER CONNECTING PIN		2	
18	GBT97.1-24-A3L	FLAT WASHERS		2	
19	TG1204.56F.1.5	LINCH-PIN ASSY		5	
21	TE300.56.4a	RIGHT LIMITING ROD BRACKET WELDMENT		1	
22	TY1S561010031K	WASHER		2	
22	TE3S561010030K	SUPPORT SEAT		1	

TE3S561010000K SUSPENSION ASSEMBLY-1 (cont'd.)

No.	Part No.	Description	Version	QTY.	Remark
23	TE3C561140015	UPPER PULL ROD FRONT CONNECTING PIN		1	
24	TE3C561150001	UPPER PULL ROD ASSEMBLY		1	

LOWELOW
zn D20743

TE3S561010000K SUSPENSION ASSEMBLY-2



TE3S561010000K SUSPENSION ASSEMBLY-2

No.	Part No.	Description	Version	QTY.	Remark
	TE3S561010000K	SUSPENSION ASSEMBLY		1	
1	TE3S561010016K	LIMIT ROD ASSEMBLY		2	
1.1	FT300. 56A. 023	LIMITING ROD LOCK PIN ASSEMBLY		1	
1.2	TE300. 56. 3b. 1	EXTENSIBLE ROD BALL ASSEMBLY		1	
1.3	TE3S561010017K	EXTENSIBLE GUIDE PIPE		1	
1.4	GBT6170-M22-8-A9L	TYPE 1 HEX NUT		1	
1.5	TE300. 56. 3a-02	LIMITING ROD ADJUSTING SCREW		1	
2	TE3S561010003K	LIFTING ROD ASSEMBLY		2	
2.1	TY1S561010008K	LIFTING ROD UPPER ADJUSTING ROD		1	
2.2	GBT6171-M27X2-8-A3L	TYPE 1 HEX NUT		1	
2.3	TY1S561010011K	ADJUSTING SOLENOID		1	
2.4	GBT6171-M27X2-LH-8-A3L	TYPE 1 HEX NUT		1	
2.5	FT500A. 56. 108	LIFTING ROD LOWER CONNECTING FORK		1	
3	TE3C561150001	UPPER PULL ROD ASSEMBLY		1	
3.1	TE3C561150002	UPPER PULL ROD FRONT ADJUSTING ROD ASSEMBLY		1	
3.2	GBT6171-M24X2-8-A3L	TYPE 1 HEX NUT		1	
3.3	TE3C561150004	ADJUSTING SOLENOID		1	
3.4	GBT6171-M24X2-LH-8-A3L	HEXAGON NUT		1	
3.5	TE3C561150006	UPPER PULL ROD REAR ADJUSTING ROD ASSEMBLY		1	
3.6	TE3C561140006	LOCKING PIN CHAIN ASSEMBLY		1	
4	TE3S561010030K	SUPPORT SEAT		1	
4.1	GBT91-1. 6X16-A3L	COTTER PIN		1	
4.2	GBT97. 1-6-A3L	FLAT WASHERS		1	

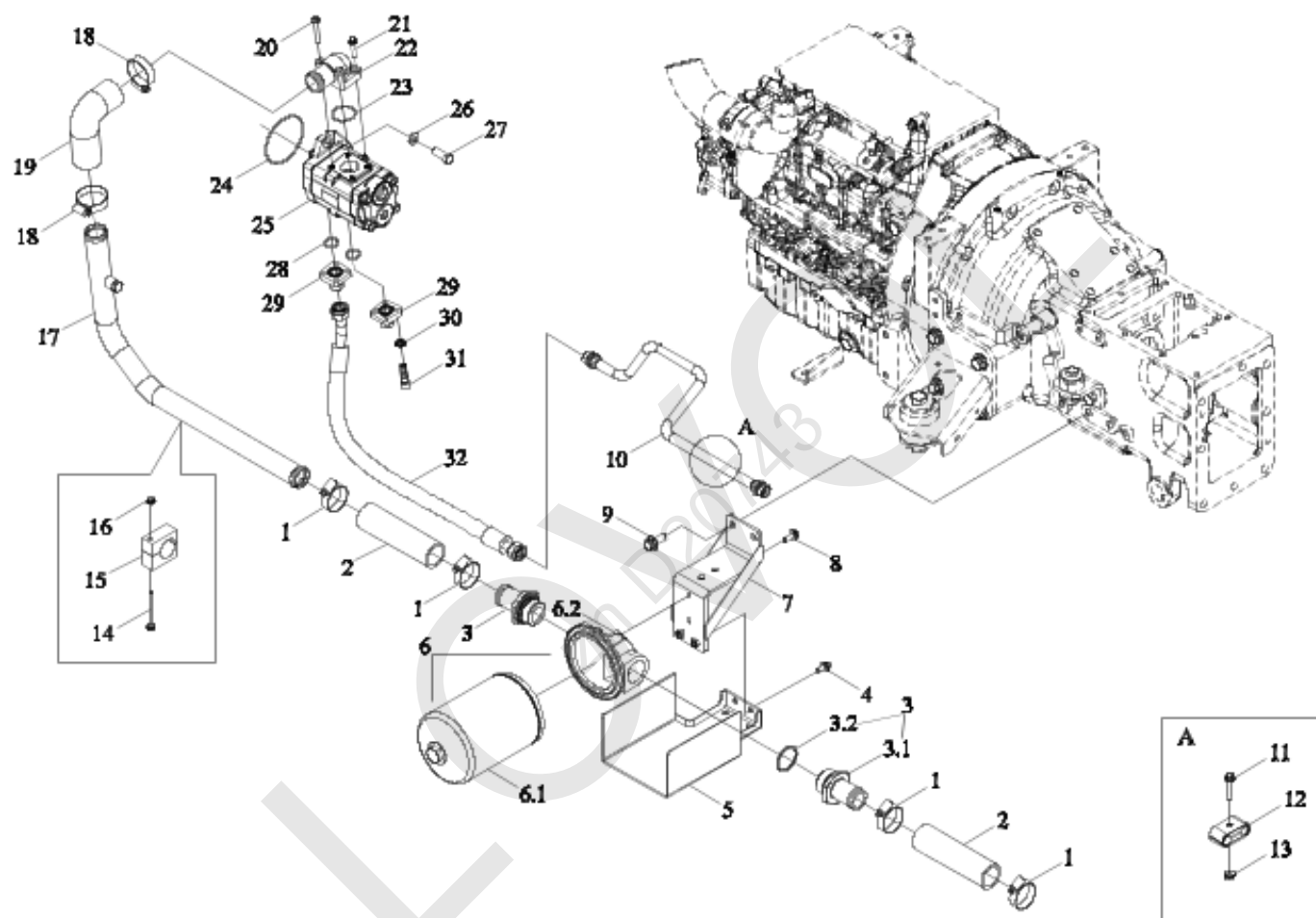
TE3S561010000K SUSPENSION ASSEMBLY-2 (cont'd.)

No.	Part No.	Description	Version	QTY.	Remark
4.3	FT300.56A.216a	LOCKING CLAMP		1	
4.4	FT300.56A.214	FIXING PLATE		2	
4.5	GBT882-B6X30-A3L	PIN		1	
4.6	TE3S561010029K	FIXING PLATE WELDMENT		1	

LOWVOL
zn D20743

TE3S581010000K OIL PUMP-PIPE-FILTER ASSEMBLY

LOWVOL
zn D20743



TE3S581010000K OIL PUMP-PIPE-FILTER ASSEMBLY

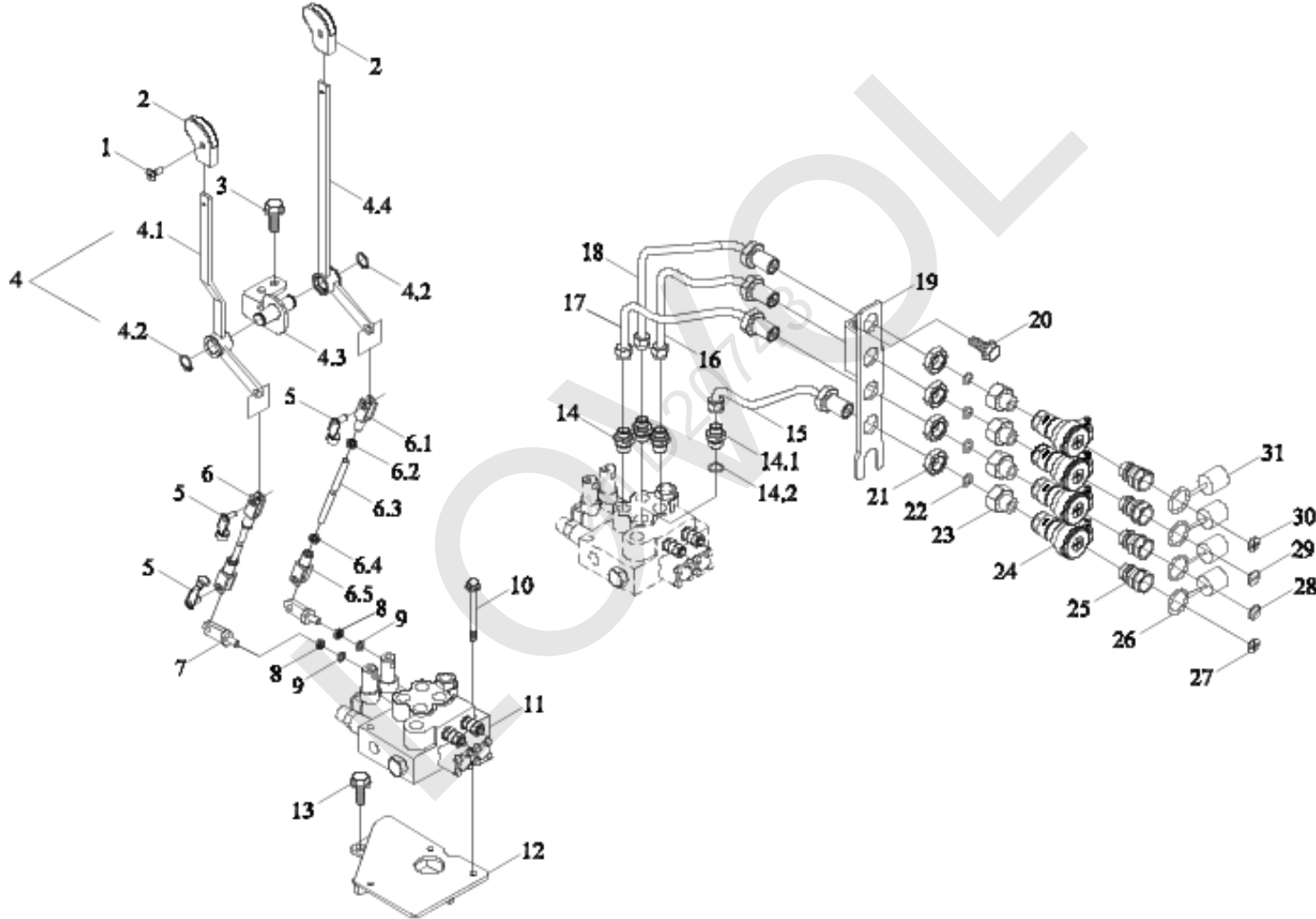
No.	Part No.	Description	Version	QTY.	Remark
	TE3S581010000K	OIL PUMP/PIPE/FILTER ASSEMBLY	003	1	
1	Q67645	B TYPE WORM DRIVE TYPE HOSE HOOP		4	
2	TS06581110003	OIL SUCTION RUBBER HOSE 1		2	
3	TE2S581010019K	ED STRAIGHT JOINT		2	
3.1	TE2S581010010K	STRAIGHT THREAD JOINT		1	
3.2	TE2S581010018K	ED sealing joint rubber gasket M42X2		1	
4	GBT16674. 1-M8X16-8. 8-A2L	HEX FLANGE BOLTS		2	
5	TE2S581010017K	FILTER BONNET		1	
6	TB1S581010017K	FILTER ASSEMBLY		1	
6.1	TB1S581010018K	OIL SUCTION FILTER ELEMENT		1	
6.2	TB1S581010019K	SEAT		1	
7	TE3S581010005K	OIL FILTER BRACKET WELDMENT		1	
8	GBT16674. 1-M8X20-8. 8-A2L	HEX FLANGE BOLTS		2	
9	GBT16674. 1-M12X25-10. 9-A3L	HEX FLANGE BOLTS		2	
10	TE3S581010011K	MULTI-WAY VALVE OIL INLET PIPE ASSEMBLY 1		1	
11	GBT16674. 1-M8X40-8. 8-A2L	HEX FLANGE BOLTS		1	
12	TH02402010057	OIL PIPE CLAMP AND RUBBER WASHER		2	
13	GBT6177. 1-M8-8-A2L	HEXAGON FLANGE NUT		1	
14	GBT16674. 1-M6X70-8. 8-A2L	HEX FLANGE BOLTS		1	
15	TE3S581010009K	SINGLE HOLE PIPE CLAMP 35		2	
16	GBT6177. 1-M6-8-A2L	HEXAGON FLANGE NUT		1	
17	TE3S581010007K	GEAR PUMP OIL SUCTION PIPE		1	
18	Q67650	B TYPE WORM DRIVE TYPE HOSE HOOP		2	

TE3S581010000K OIL PUMP-PIPE-FILTER ASSEMBLY (cont'd.)

No.	Part No.	Description	Version	QTY.	Remark
19	TE3S581010013K	OIL SUCTION HOSE		1	
20	GBT16674. 1-M6X45-8. 8-A2L	HEX FLANGE BOLTS		2	
21	GBT16674. 1-M6X30-8. 8-A2L	HEX FLANGE BOLTS		2	
22	TB3S581040003K	SUCTION FLANGE		1	
23	GBT3452. 1-34. 5X2. 65G	O-RING RUBBER SEAL FOR HYDRAULIC AND PNEUMATIC		1	
24	GBT3452. 1-82. 5X2. 65G	O-RING RUBBER SEAL FOR HYDRAULIC AND PNEUMATIC		1	
25	TR2P402010001	GEAR PUMP		1	
26	TB3S581040030K	WASHER		2	
27	GBT5783-M10X30-8. 8-A3L	HEX HEAD BOLTS		2	
28	GBT3452. 1-19. 0X2. 65G	O-RING RUBBER SEAL FOR HYDRAULIC AND PNEUMATIC		2	
29	TE3S581010008K	FLANGE		2	
30	GBT93-6-A3L	STANDARD SPRING WASHER		8	
31	GBT70. 1-M6X20-8. 8-A2L	HEXAGON SOCKET HEAD CAP SCREW		8	
32	TE3S581010012K	HOSE		1	

LOWVOL
zn D20743

TE3S582020000K OIL PIPE OR CONTROL MECHANISM ASSEMBLY-1



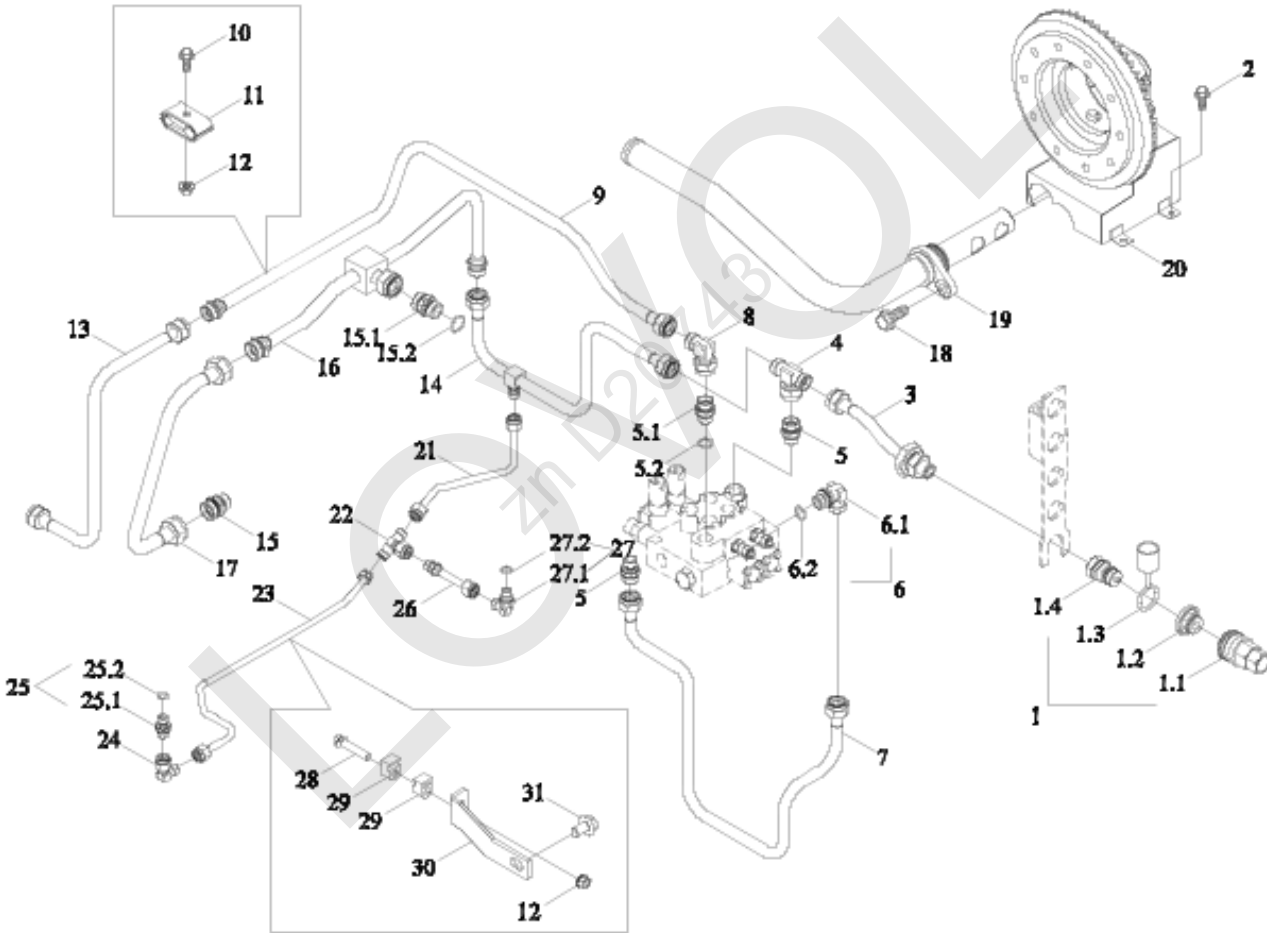
TE3S582020000K OIL PIPE OR CONTROL MECHANISM ASSEMBLY-1

No.	Part No.	Description	Version	QTY.	Remark
	TE3S582020000K	MULTI-WAY VALVE AND CONTROL MECHANISM ASSEMBLY	001	1	
1	GBT819.1-M4X10-4.8-A2L	CROSS RECESSED COUNTERSUNK HEAD SCREWS		2	
2	TD924.582A-03	HANDLE HEAD		2	
3	GBT5789-M8X25-8.8-A2L	HEX FLANGE BOLTS		2	
4	TE3S582010021K	MULTI-WAY VALVE CONTROL MECHANISM ASSEMBLY		1	
4.1	TE3S582010023K	CONTROL ARM 1		1	
4.2	GBT894.1-18	RETAINING RING FOR SHAFT		2	
4.3	TE3S582010022K	CONTROL FIXING SHAFT		1	
4.4	TE3S582010027K	CONTROL ARM 2		1	
5	TS10552010005	LINCH-PIN ASSY		4	
6	TE3S582010007K	MULTI-WAY VALVE CONTROL PULL ROD ASSEMBLY		2	
6.1	TS10552010003	LEFT REVOLVING PULL ROD FORK		1	
6.2	GBT6172.1-M8-LH-04-A2L	HEXAGON THIN NUT		1	
6.3	TE3S582010006K	MULTI-WAY VALVE CONTROL PULL ROD		1	
6.4	GBT6172.1-M8-04-A2L	HEXAGON THIN NUT		1	
6.5	TS10552010004	RIGHT REVOLVING PULL ROD FORK		1	
7	TE3S582010030K	PULL ROD SUPPORT SEAT WELDMENT		2	
8	GBT6172.1-M8-04-A2L	HEXAGON THIN NUT		2	
9	GBT93-8-A3L	STANDARD SPRING WASHER		2	
10	GBT16674.1-M6X60-8.8-A2L	HEX FLANGE BOLTS		3	
11	TL02582230001	MULTI-WAY VALVE ASSEMBLY		1	
12	TL02582280015a	MULTI-WAY VALVE BRACKET WELDMENT		1	
13	GBT5789-M12X20-8.8-A3L	HEX FLANGE BOLTS		5	

TE3S582020000K OIL PIPE OR CONTROL MECHANISM ASSEMBLY-1 (cont'd.)

No.	Part No.	Description	Version	QTY.	Remark
14	CR3E706010018	STRAIGHT PIPE JOINT BODY M18-10		4	
14.1	CR3E706010019	STRAIGHT THROUGH JOINT BODY		1	
14.2	TS09580010006	O-RING 15. 3X2. 2-M18X1. 5		1	
15	TL02582280011a	OUT STEEL PIPE ASSEMBLY 3		1	
16	TL02582280013a	OUT STEEL PIPE ASSEMBLY 4		1	
17	TL02582280007a	OUT STEEL PIPE ASSEMBLY 1		1	
18	TL02582280009a	OUT STEEL PIPE ASSEMBLY 2		1	
19	TE3S582010037K	QUICK CHANGING JOINT BRACKET		1	
20	GBT5789-M8X16-8. 8-A2L	HEX FLANGE BOLTS		2	
21	GBT6173-M22X1. 5-05-A3L	HEXAGON THIN NUT		4	
22	GBT3452. 1-12. 5X2. 65G	O-RING RUBBER SEAL FOR HYDRAULIC AND PNEUMATIC		4	
23	FT354. 58A. 104	BRITISH SYSTEM OIL PIPE JOINT		4	
24	TB1S582010020K	JOINT		4	
25	FT354. 58A. 032	JOINT		4	
26	FT354. 58A. 302	DUSTPROOF COVER		2	
27	TB1S582010005K	DUSTPROOF COVER B+		1	
28	TB1S582010006K	DUSTPROOF COVER B-		1	
29	TB1S582010004K	DUSTPROOF COVER R-		1	
30	TB1S582010003K	DUSTPROOF COVER R+		1	
31	TC02580010003K	DUSTPROOF COVER		2	

TE3S582020000K OIL PIPE OR CONTROL MECHANISM ASSEMBLY-2



TE3S582020000K OIL PIPE OR CONTROL MECHANISM ASSEMBLY-2

No.	Part No.	Description	Version	QTY.	Remark
	TE3S582020000K	MULTI-WAY VALVE AND CONTROL MECHANISM ASSEMBLY		1	
1	FT354.58A.030	QUICK CHANGING JOINT		1	
1.1	FT354.58A.031	JOINT		1	
1.2	FT354.58A.103	DUSTPROOF COVER		1	
1.3	FT354.58A.032	JOINT		1	
1.4	FT354.58A.302	DUSTPROOF COVER		1	
2	GBT5789-M6X12-8.8-A2L	HEX FLANGE BOLTS		3	
3	TE3S582010035K	OIL RETURN PIPE		1	
4	GBT3755-L15	CONNECTING JOINT		1	
5	TS06582130048	END STRAIGHT THREAD CONNECTOR BODY		3	
5.1	GBT3733-L15	STRAIGHT THREAD JOINT		1	
5.2	TS09580010006	O-RING 15.3X2.2-M18X1.5		1	
6	TC04582140012	CONNECTING JOINT M18-15		1	
6.1	GBT3738-L15	JOINT		1	
6.2	TS09580010006	O-RING 15.3X2.2-M18X1.5		1	
7	TE3S582010015K	DISTRIBUTOR OIL INLET PIPE ASSEMBLY		1	
8	GBT3754-L15	JOINT		1	
9	TE3S582010013K	MULTI-WAY VALVE OIL INLET PIPE ASSEMBLY 2		1	
10	GBT5789-M8X40-8.8-A2L	HEX FLANGE BOLTS		1	
11	TH02402010057	OIL PIPE CLAMP AND RUBBER WASHER		2	
12	GBT6177.1-M8-8-A2L	HEXAGON FLANGE NUT		2	
13	TE3S582010014K	MULTI-WAY VALVE OIL INLET PIPE ASSEMBLY 1		1	

TE3S582020000K OIL PIPE OR CONTROL MECHANISM ASSEMBLY-2 (cont'd.)

No.	Part No.	Description	Version	QTY.	Remark
14	TE3S582010010aK	MULTI-WAY VALVE OIL RETURN PIPE ASSEMBLY		1	
15	TC02582070006	END STRAIGHT THREAD CONNECTOR BODY M22-18		2	
15.1	GBT3733-L18	STRAIGHT THREAD JOINT		1	
15.2	TS09580010008	O-RING		1	
16	TE3S582010009K	OIL RETURN PIPE ASSEMBLY		1	
17	TE3S582010012K	OIL RETURN FILTER OUTPUT PIPE ASSEMBLY		1	
18	GBT5789-M12X25-8.8-A3L	HEX FLANGE BOLTS		1	
19	TE3S582010016K	GEAR PUMP OIL SUCTION STEEL PIPE ASSEMBLY		1	
20	TE3S582010019K	SHIELD SHIELD WELDMENT		1	
21	TE3S582020003K	LUBRICATING OIL PIPE		1	
22	GBT3755-L8	CONNECTING JOINT		1	
23	TE3S582020002K	LUBRICATING OIL PIPE		1	
24	GBT3754-L8	JOINT		1	
25	TH02372010099	END STRAIGHT THREAD CONNECTOR BODY		1	
25.1	GBT3733-L8	STRAIGHT THREAD JOINT		1	
25.2	TS09580010003	O-RING 9.3X2.2-M12X1.5		1	
26	TE3S582020001K	LUBRICATING OIL PIPE		1	
27	TC04550100002	CONNECTING JOINT		1	
27.1	GBT3738-L8	JOINT		1	
27.2	TS09580010003	O-RING 9.3X2.2-M12X1.5		1	
28	GBT5789-M8X45-8.8-A2L	HEX FLANGE BOLTS		1	
29	GE20D28.24.96.1-01	SINGLE HOLE PIPE CLAMP		2	

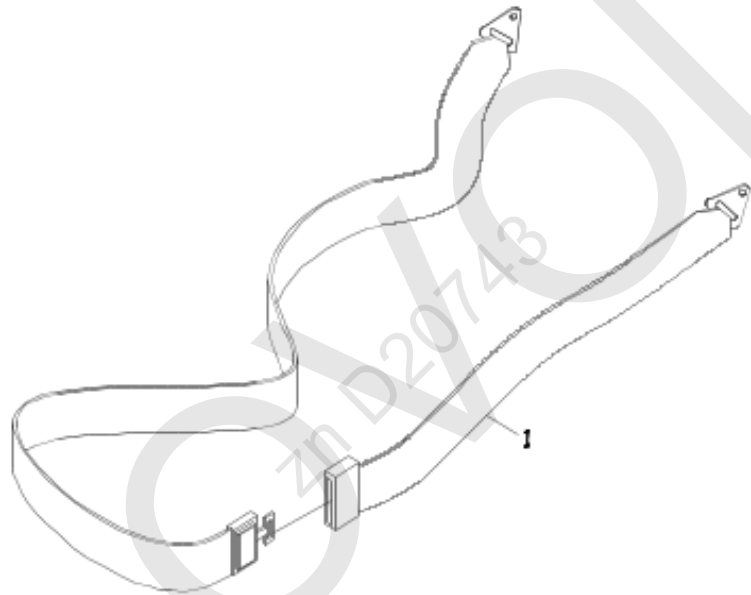
TE3S582020000K OIL PIPE OR CONTROL MECHANISM ASSEMBLY-2 (cont'd.)

No.	Part No.	Description	Version	QTY.	Remark
30	TE3S582020004K	OIL PIPE BRACKET		1	
31	GBT5789-M12X20-8.8-A3L	HEX FLANGE BOLTS		5	

LOWVOL
zn D20743

TE3S620010000K SAFETY BELT ASSEMBLY

LOWLOL
zn D20743



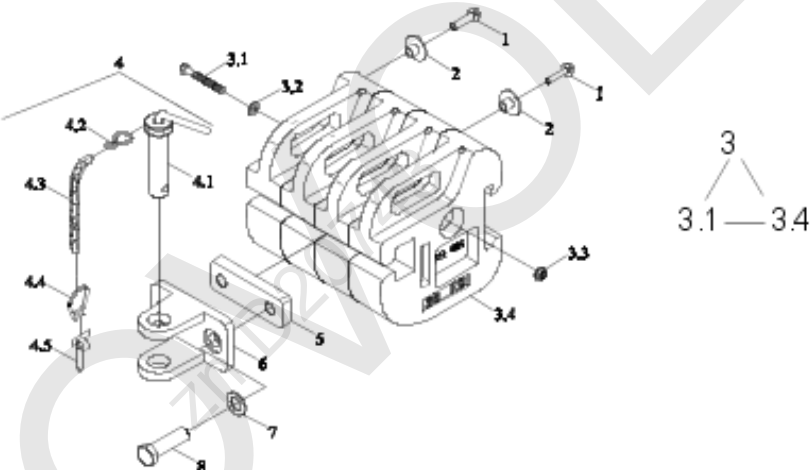
TE3S620010000K SAFETY BELT ASSEMBLY

No.	Part No.	Description	Version	QTY.	Remark
1	TE3S620010000K	SAFETY BELT INSTALLATION ASSEMBLY	002	1	
	TE3S620010000K	SAFETY BELT INSTALLATION ASSEMBLY		1	

LOWELOW
zn D20743

TE3S742010000K COUNTERWEIGHT-FRONT

LOWVOL
zn D20743

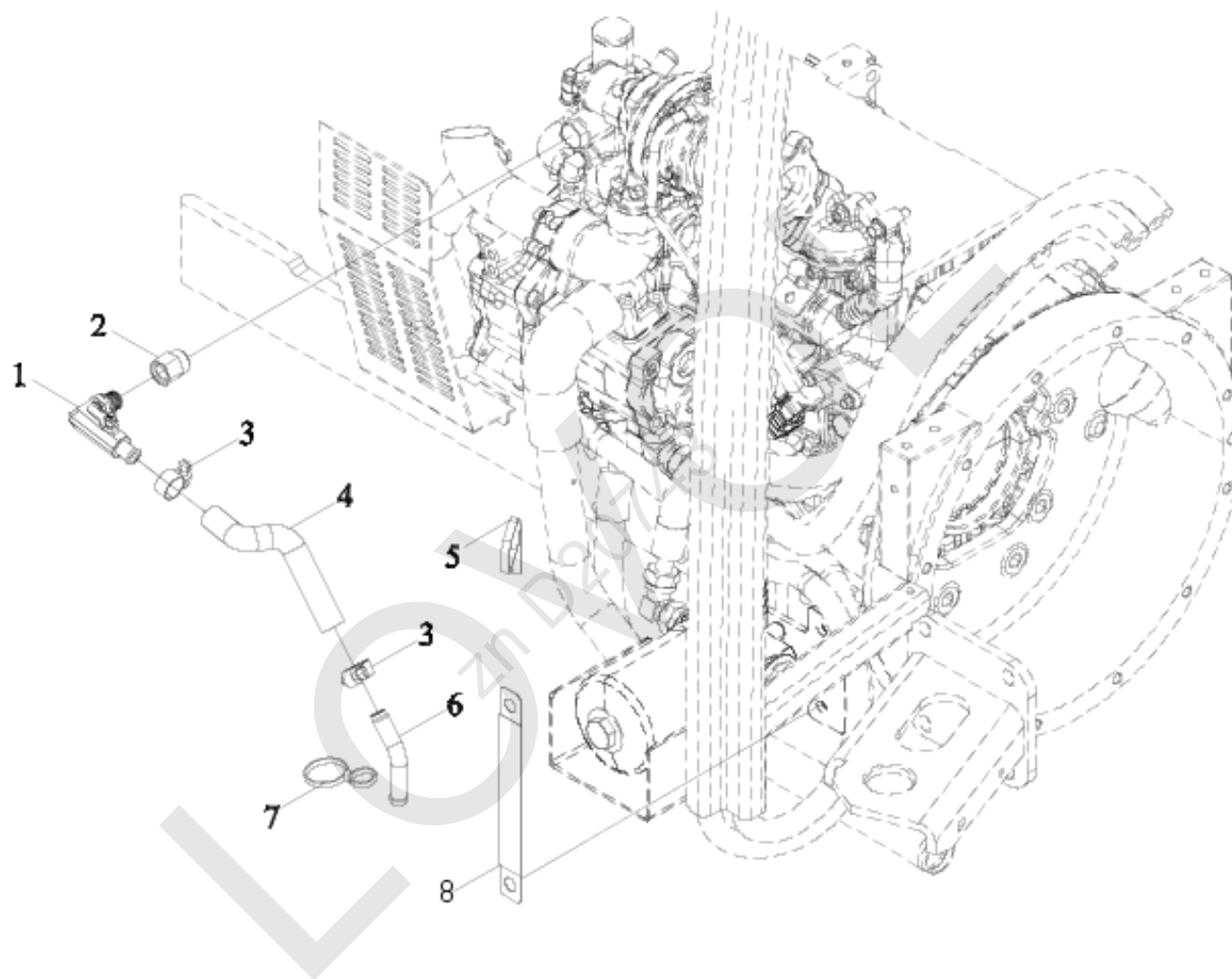


TE3S74201000K COUNTERWEIGHT-FRONT

No.	Part No.	Description	Version	QTY.	Remark
	TE3S74201000K	FRONT BALLAST ASSEMBLY	002	1	
1	GBT5789-M10X40-10.9-A3L	HEX FLANGE BOLTS		2	
2	TE254.742.3	BASE PLATE		2	
3	TE3S742010001K	FRONT BALLAST SMALL ASSEMBLY		1	
3.1	TE1S742010203K	CONNECTING BOLT		1	
3.2	GBT97.1-16-A3L	FLAT WASHERS		1	
3.3	GBT6177.1-M16-8-A3L	HEXAGON FLANGE NUT		1	
3.4	TE3S742010002K	BALLAST BLOCK		4	
4	TB400.74A.2	TOWING PIN AND LOCK PIN ASSEMBLY		1	
4.1	TB400.74A.2.1	TOWING PIN WELDMENT		1	
4.2	TA700.35A.1.1-01	CONNECTION RING		1	
4.3	FT65.56.136	SMALL CHAIN RING		8	
4.4	FT800.56.223	LOCKING PIN RING		1	
4.5	FT800.56.224	LOCK PIN		1	
5	TE254.742-08	TOWING PLATE		1	
6	TE254.742-02	TOWING LUG		1	
7	GBT97.1-20-A3L	FLAT WASHERS		2	
8	TE254.742-04	TOWING BOLT		2	

TE3S812010000K HEATER SYSTEM

LOWVOL
zn D20743

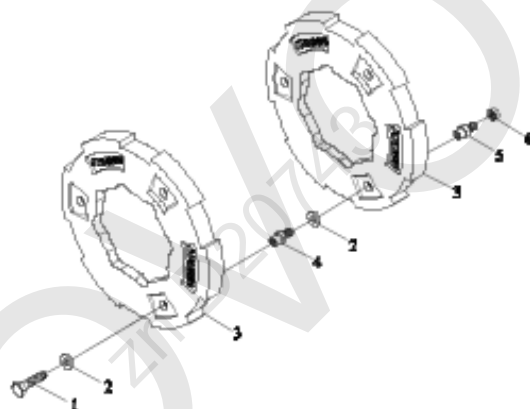


TE3S812010000K HEATER SYSTEM

No.	Part No.	Description	Version	QTY.	Remark
	TE3S812010000K	HEATER SYSTEM	001	1	
1	TB1S812010011K	HEATER WATER VALVE		1	
2	TE3S810010004K	JOINT		1	
3	Q67522	A TYPE WORM DRIVE TYPE HOSE HOOP		4	
4	TE3S810010002K	RUBBER HOSE		1	
5	Q67407200	PLASTIC FASTENING STRIP		1	
6	TE3S810010003K	SHORT PIPE		1	
7	TG3S488010002	TIE		2	
8	TD800. 811A-04	PIPE CLAMP BELT		1	

TE2S950020000K REAR BALLAST ASSEMBLY

LOWVOL
zn D20743



TE2S950020000K REAR BALLAST ASSEMBLY

No.	Part No.	Description	Version	QTY.	Remark
	TE2S950020000K	REAR BALLAST ASSEMBLY	002	1	
1	TE350. 91-04	BOLT M16X1. 5X30		3	
2	FT650. 34. 104	WASHER		6	
3	TE2S950020001K	REAR BALLAST		2	
4	FT250. 91B. 103	BALLAST SCREW 2		3	
5	FT250. 91B. 102	BALLAST SCREW 1		3	
6	GBT6171-M16X1. 5-10-A3L	TYPE 1 HEX NUT		3	