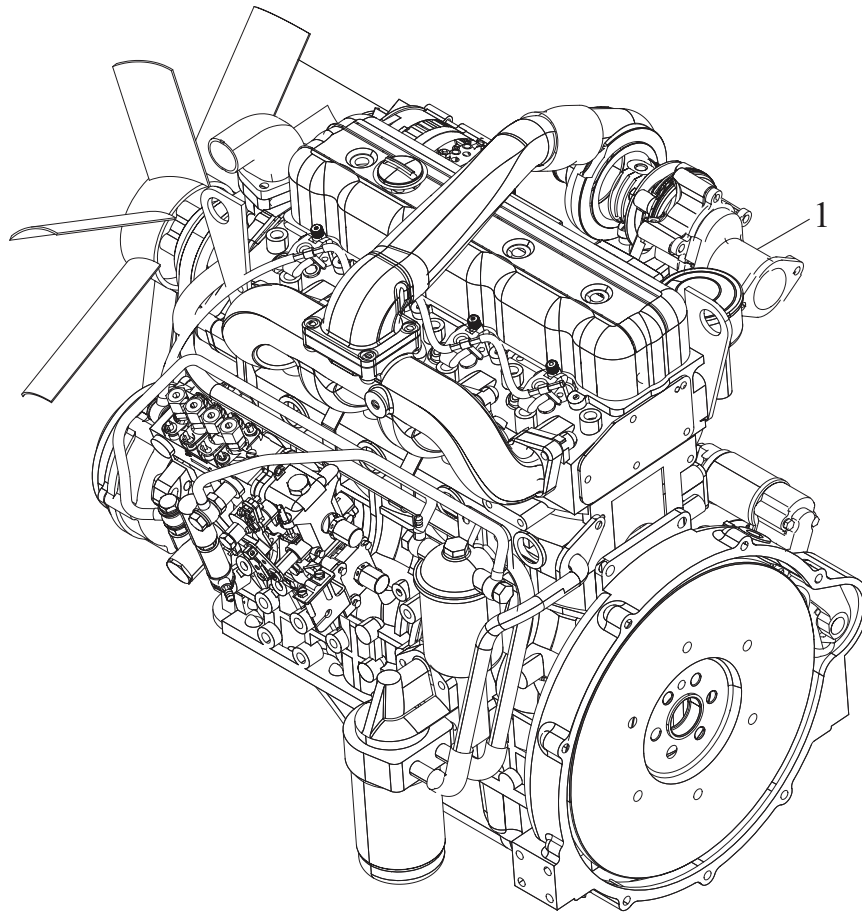




**ARBOS**

2025  
CINTURA DI SICUREZZA

POS	COD	Q.TÀ	DESCRIZIONE	ASSEMBLY NUMBER RANGE
1	L0003867	1	SEAT BELT ASSEMBLY	

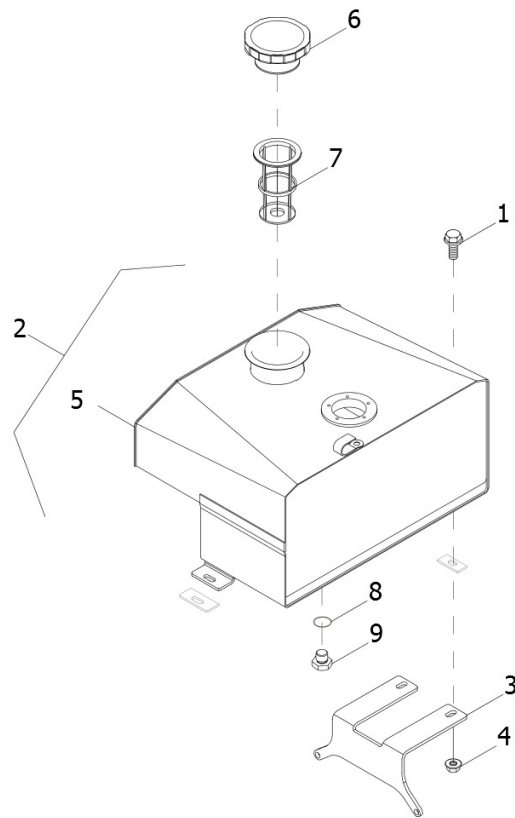




**ARBOS**

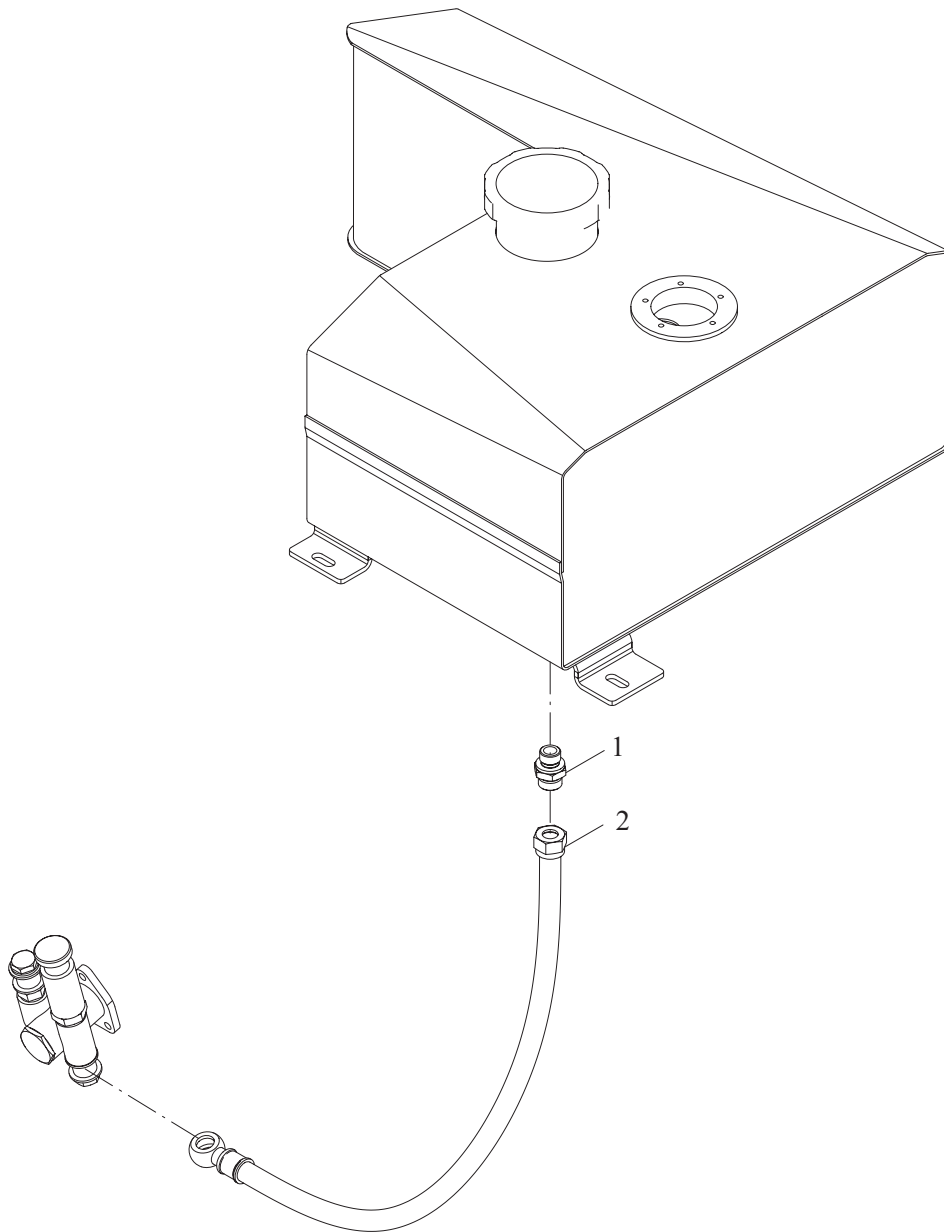
2025  
ASSIEME MOTORE

POS	COD	Q.TÀ	DESCRIZIONE	ASSEMBLY NUMBER RANGE
1	L0002974	1	ENGINE ASSEMBLY	





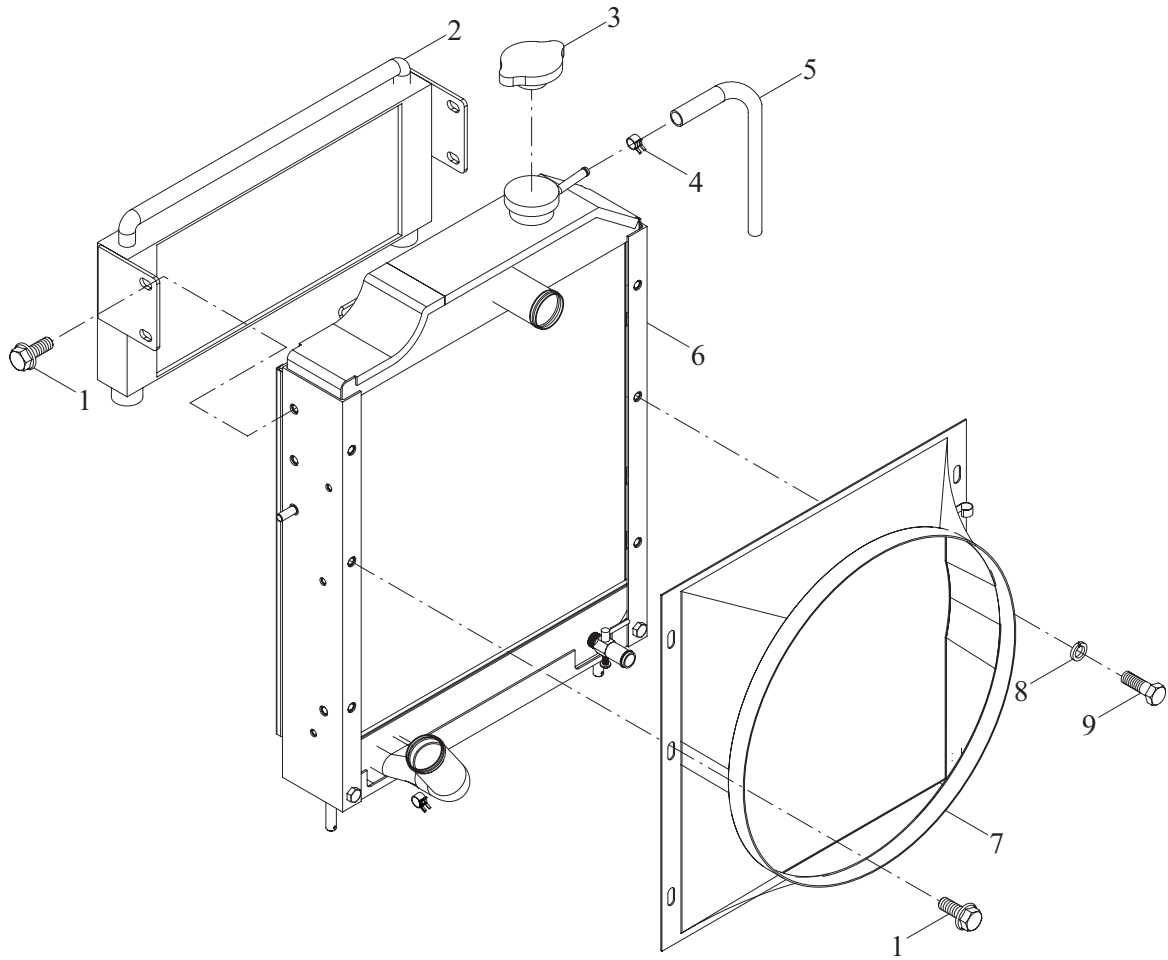
POS	COD	Q.TÀ	DESCRIZIONE	ASSEMBLY NUMBER RANGE
1	L0003302	4	HEXAGON FLANGE BOLT	
2	L0004132	1	FUEL TANK ASSEMBLY	
3	L0004131	1	THE FUEL TANK BRACKET	
4	L0003348	4	HEXAGON FLANGE NUT	
5	L0004130	1	TANK WELDING	
6	L0001336	1	COPERCHIO SERBATOIO OLIO	
7	L0004173	1	STRAINER ASSEMBLY	
8	L0002359	1	O RING 13.3X2.2-M16X1.5	
9	L0000288	1	TAPPO SCARICO OLIO	





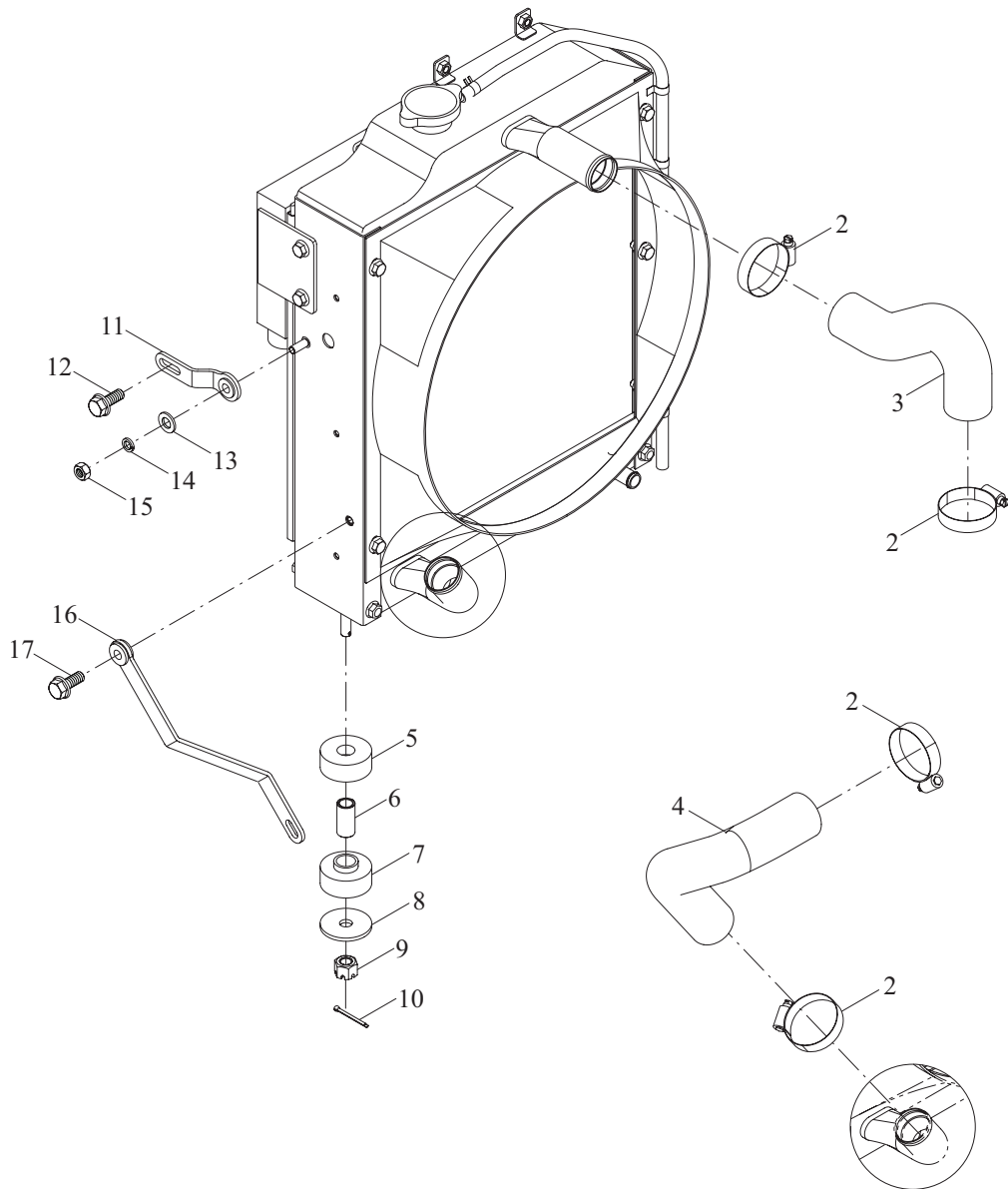
POS	COD	Q.TÀ	DESCRIZIONE	ASSEMBLY NUMBER RANGE
1	L0004133	1	PIPELINE	
2	L0003566	1	END THROUGH CONNECTOR ASSEMBLY 16-18	





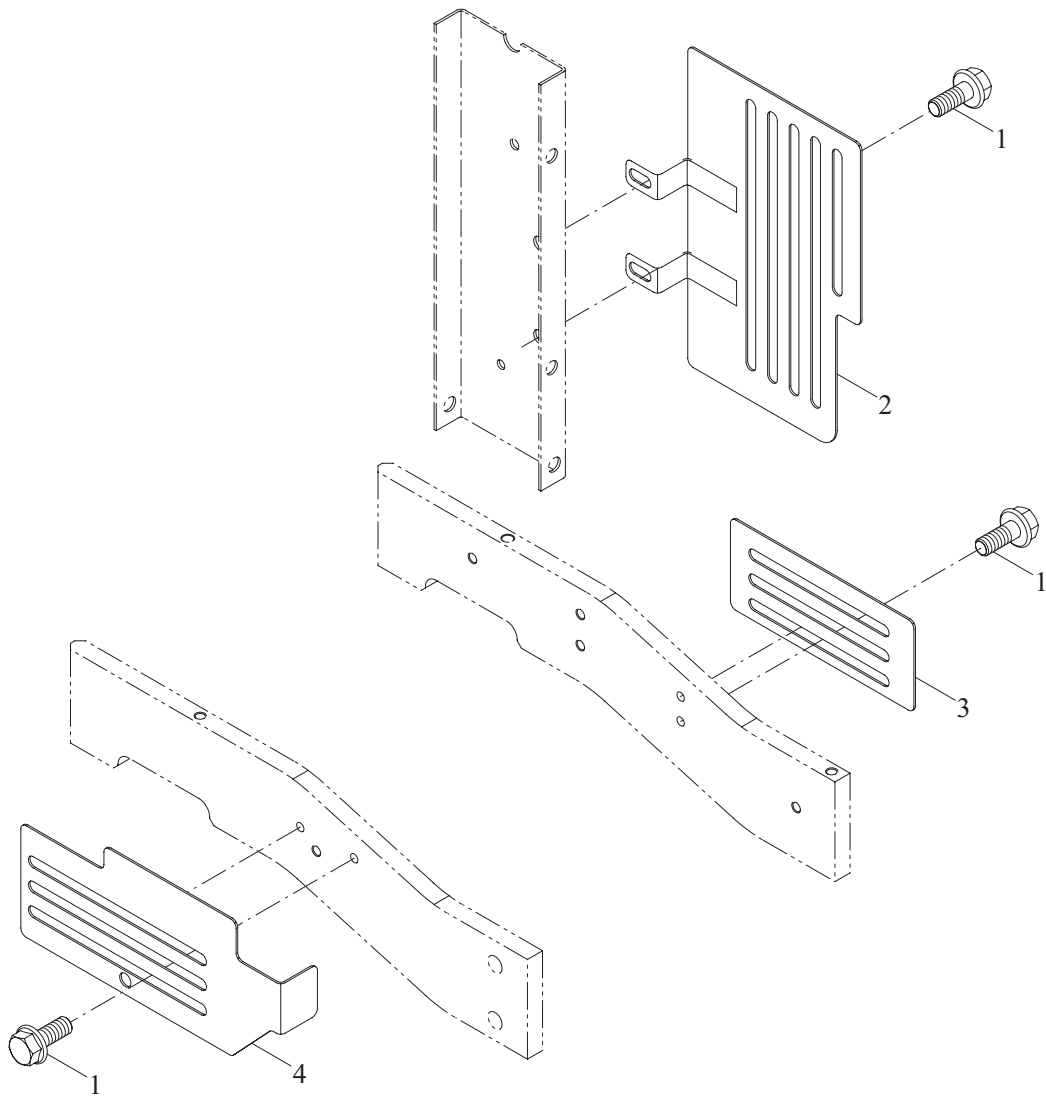


<b>POS</b>	<b>COD</b>	<b>Q.TÀ</b>	<b>DESCRIZIONE</b>	<b>ASSEMBLY NUMBER RANGE</b>
1	L0003299	9	HEXAGON FLANGE BOLT	
2	L0003909	1	HYDRAULIC OIL RADIATOR ASSEMBLY	
3	L0002141	1	TAPPO RADIATORE	
4	L0002350	1	STEEL BAND ELASTIC RING HOOP	
5	L0004213	1	OVERFLOW PIPE	
6	L0003912	1	WATER COOLED RADIATOR	
7	L0003913	1	AIR GUIDE COVER	
8	L0002122	1	RONDELLA STANDARD	
9	L0003274	1	HEXAGON HEAD BOLT	



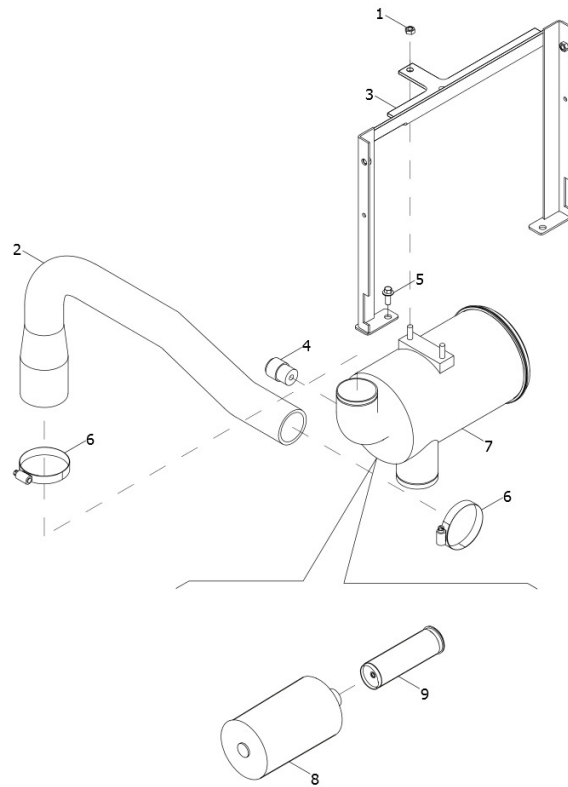


<b>POS</b>	<b>COD</b>	<b>Q.TÀ</b>	<b>DESCRIZIONE</b>	<b>ASSEMBLY NUMBER RANGE</b>
1	L0003911	1	RADIATOR ASSY	
2	L0002496	4	B-TYPE WORM TRANSMISSION HOSE CLAMP	
3	L0003914	1	WATER TANK HOSE	
4	L0003916	1	WATER TANK HOSE	
5	L0002516	2	RUBBER PAD	
6	L0003597	2	BUSHING	
7	L0002617	2	RUBBER WASHER	
8	L0002394	2	WASHER	
9	L0003349	2	HEXAGON SLOTTED NUT, STYLE 1	
10	L0003485	2	SPLIT PIN	
11	L0003915	2	PULL ROD JOINT	
12	L0003131	2	HEXAGON FLANGE NUT	
13	L0003532	3	BIG WASHER	
14	L0002122	2	RONDELLA STANDARD	
15	L0003320	2	HEXAGON NUT, TYPE-1	





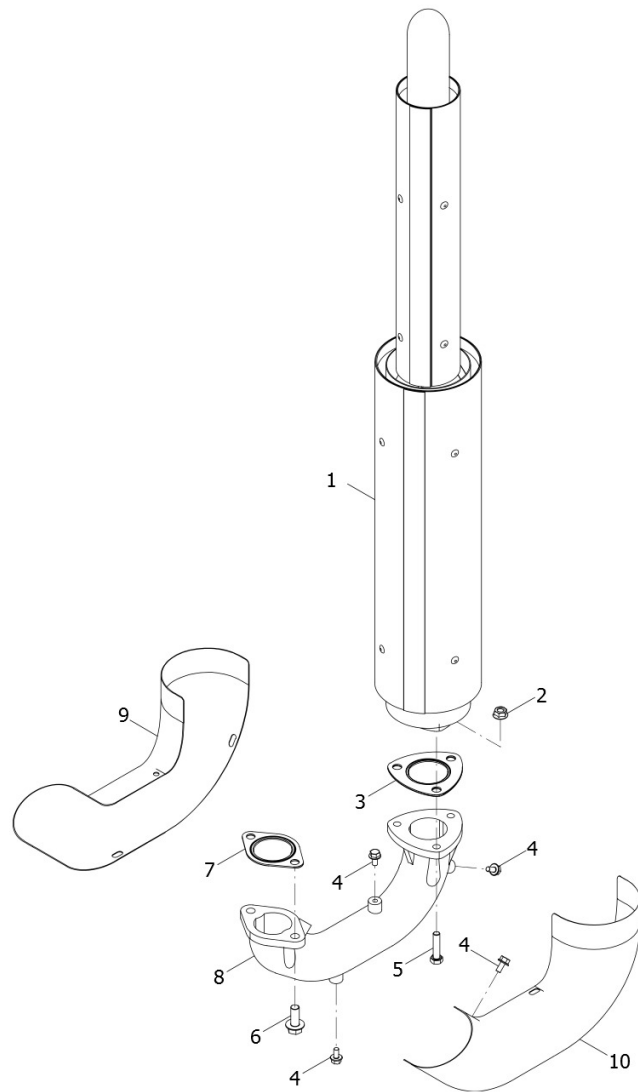
<b>POS</b>	<b>COD</b>	<b>Q.TÀ</b>	<b>DESCRIZIONE</b>	<b>ASSEMBLY NUMBER RANGE</b>
1	L0003299	6	HEXAGON FLANGE BOLT	
2	L0003920	1	TANK MESH WELDING	
3	L0003919	1	WATER TANK PROTECTION NET	
4	L0003917	1	WATER TANK PROTECTION NET	





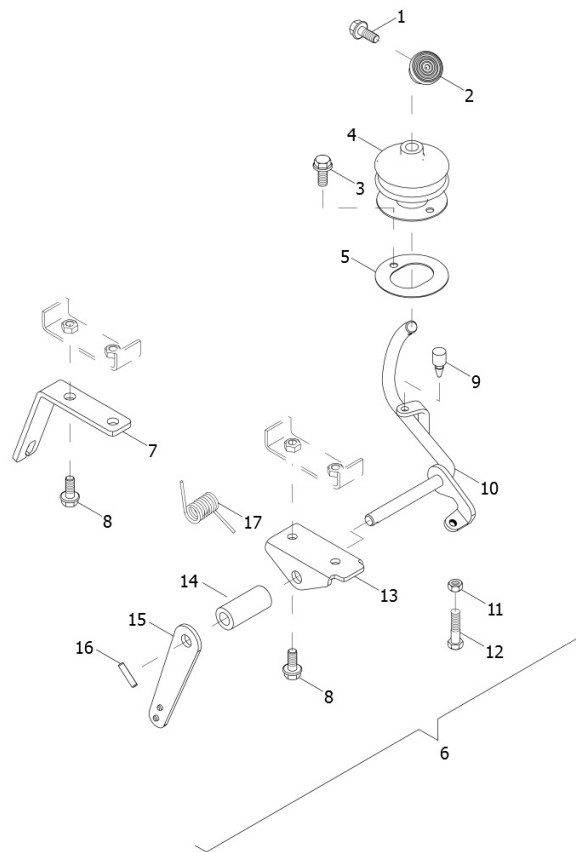
<b>POS</b>	<b>COD</b>	<b>Q.TÀ</b>	<b>DESCRIZIONE</b>	<b>ASSEMBLY NUMBER RANGE</b>
1	L0003347	2	HEXAGON FLANGE NUT	
2	L0003905	1	INTAKE HOSE	
3	L0003904	1	AIR FILTER MOUNTING BRACKET	
4	L0000878	1	SPIA MANUTENZIONE CILINDRO	
5	L0003132	2	HEX BOLT WITH FLANGE	
6	L0003582	2	B-TYPE WORM TRANSMISSION HOSE CLAMP	
7	L0003902	1	AIR FILTER ASSEMBLY	
8	L0004217	1	MAIN FILTER CORE	
9	L0002790	1	SAFETY FILTER CORE	





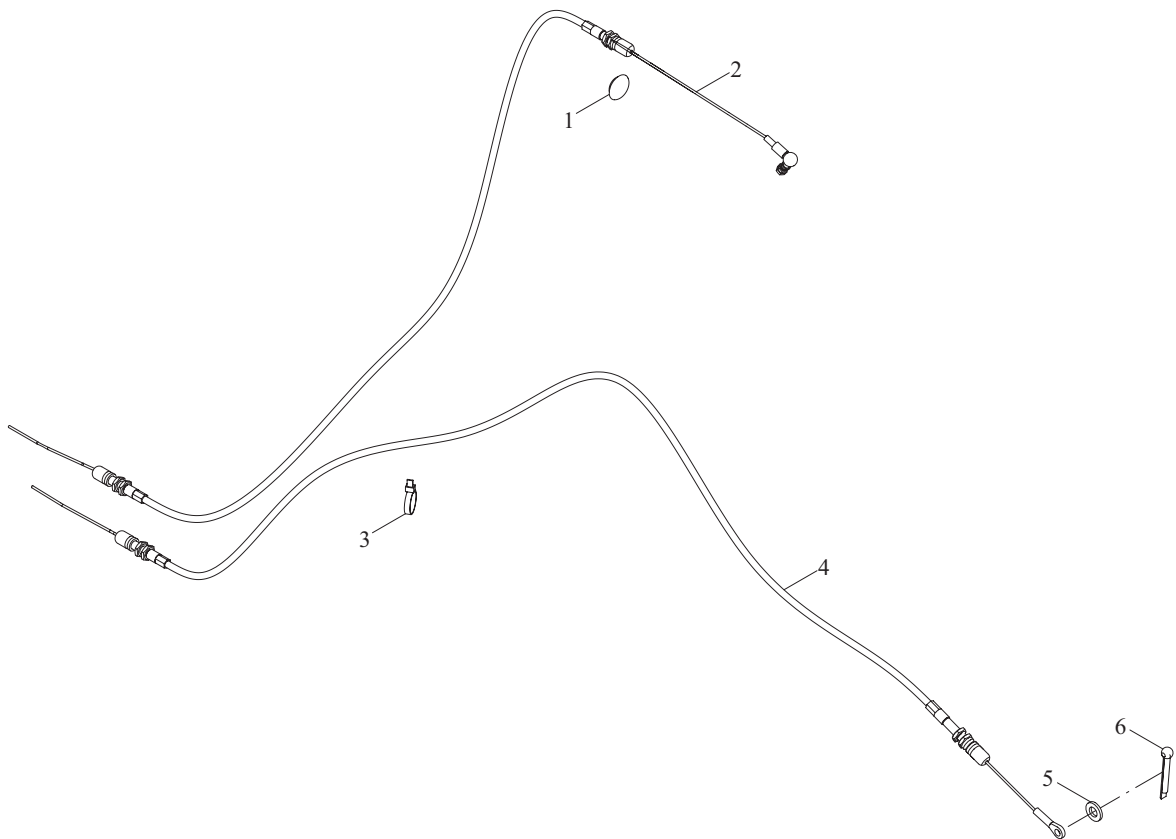


POS	COD	Q.TÀ	DESCRIZIONE	ASSEMBLY NUMBER RANGE
1	L0003930	1	MUFFLER ASSEMBLY	
2	L0002559	3	HEXAGON NUT WITH FLANGE	
3	L0002661	1	SEALING GASKET	
4	L0003295	4	HEXAGON FLANGE BOLT	
5	L0003277	3	HEXAGON HEAD BOLT	
6	L0003289	2	HEX BOLT WITH FLANGE	
7	L0002672	1	SEALING GASKET	
8	L0004218	1	EXHAUST ELBOW	
9	L0004219	1	RIGHT GUARD NET	
10	L0004220	1	LEFT GUARD NET	



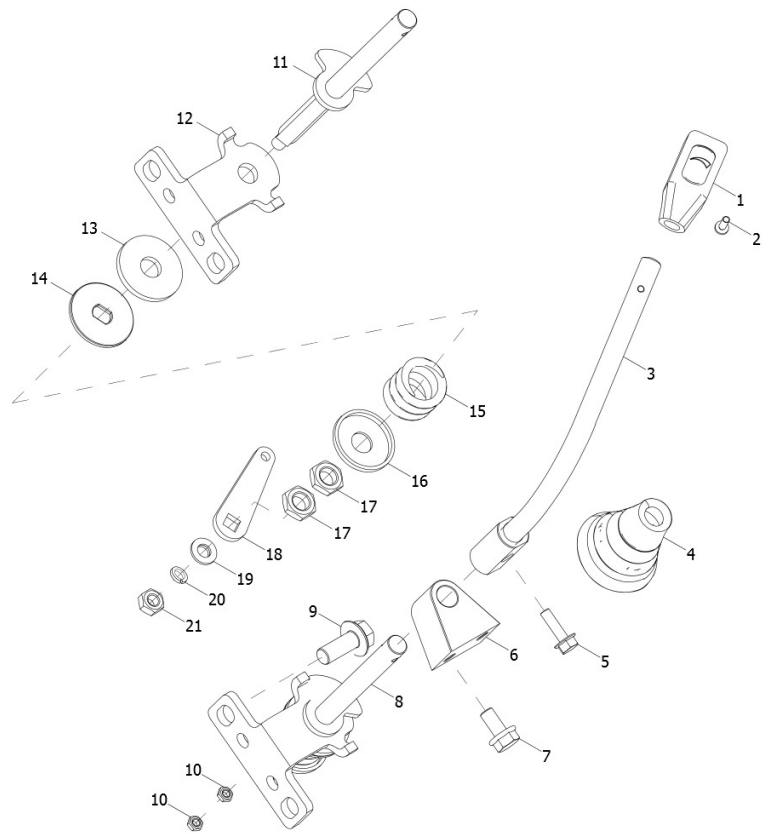


POS	COD	Q.TÀ	DESCRIZIONE	ASSEMBLY NUMBER RANGE
1	L0003297	1	HEX BOLT WITH FLANGE	
2	L0004235	1	FOOT PEDAL WELDING	
3	L0003122	1	HEXAGON FLANGE BOLT	
4	L0004236	1	FOOT PEDAL SEAL SLEEVE	
5	L0004237	1	PLATE	
6	L0004229	1	FOOT THROTTLE CONTROL SMALL ASSEMBLY	
7	L0004234	1	FOOT THROTTLE STENTS	
8	L0003300	4	HEX BOLT WITH FLANGE	
9	L0002467	1	RUBBER PLUG	
10	L0004232	1	THE PEDAL ARM WELDING	
11	L0003336	1	HEXAGON THIN NUT	
12	L0003221	1	HEXAGON HEAD BOLT	
13	L0004233	1	ACCELERATOR BRACKET	
14	L0004231	1	WASHER	
15	L0004230	1	THE FOOT THROTTLE ROCKER ARM WELDING	
16	L0003420	1	ELASTIC CYLINDRICAL PIN	
17	L0002472	1	TORSION SPRING	





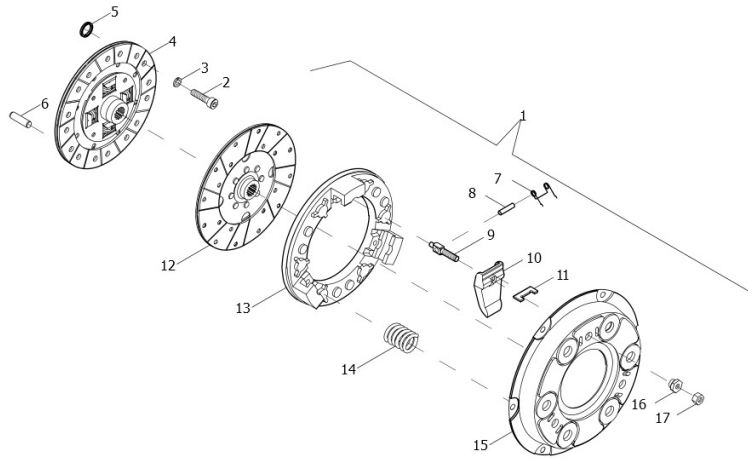
<b>POS</b>	<b>COD</b>	<b>Q.TÀ</b>	<b>DESCRIZIONE</b>	<b>ASSEMBLY NUMBER RANGE</b>
1	L0003923	1	HAND THROTTLE PULL ASSEMBLY	
2	L0003865	1	PROCESS PLUGGING (APERTURE 16)	
3	L0002364	1	PLASTIC FASTENING STRAP	
4	L0003922	1	FOOT THROTTLE PULL ASSEMBLY	
5	L0003548	1	FLAT WASHER	
6	L0003488	1	COTTER PIN	





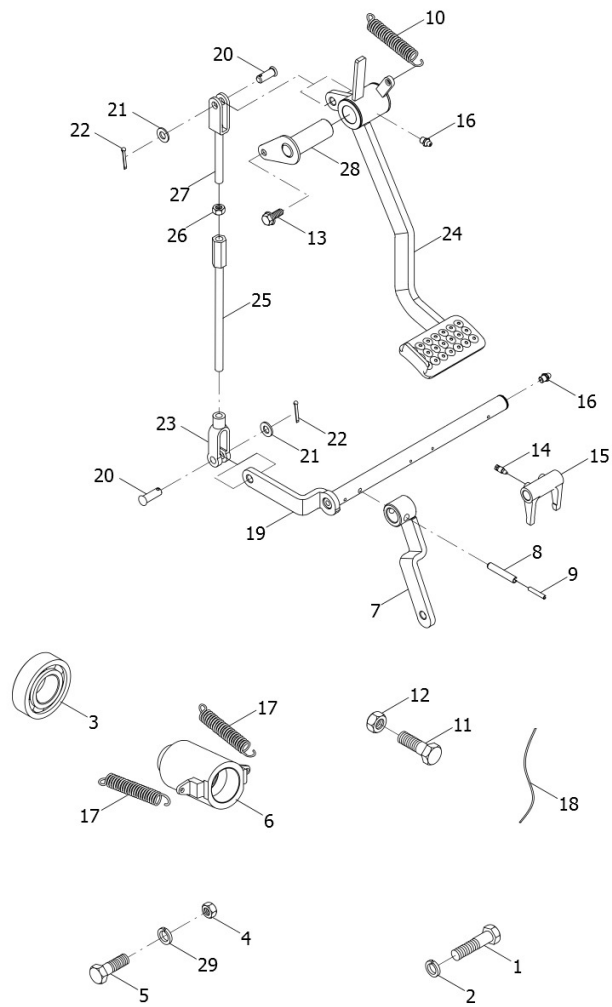
POS	COD	Q.TÀ	DESCRIZIONE	ASSEMBLY NUMBER RANGE
1	L0003921	1	HAND THROTTLE HANDLE	
2	L0003376	1	CROSS RECESSED PAN HEAD SCREW	
3	L0004228	1	HAND THROTTLE CONTROL WELDING	
4	L0004227	1	HAND THROTTLE SEAL	
5	L0003297	1	HEX BOLT WITH FLANGE	
6	L0002620	1	GUIDE SEAT	
7	L0003299	2	HEXAGON FLANGE BOLT	
8	L0004224	1	HAND THROTTLE OPERATING MECHANISM	
9	L0003290	2	HEX BOLT WITH FLANGE	
10	L0003352	2	HEXAGON LOCKING NUT,TYPE-1	
11	L0004226	1	HAND THROTTLE LEVER WELDING	
12	L0004225	1	HAND THROTTLE SUPPORT PLATE	
13	L0000472	1	DISCO FRIZIONE DEL FRENO A MANO	
14	L0004559	1	BIG WASHER	
15	L0004558	1	SPRING	
16	L0004557	1	SPRING SEAT	
17	L0002347	2	HEXAGON THIN NUT	
18	L0004560	1	HAND THROTTLE ROCKER	
19	L0003551	1	FLAT WASHER	
20	L0002122	1	RONDELLA STANDARD	
21	L0003320	1	HEXAGON NUT, TYPE-1	





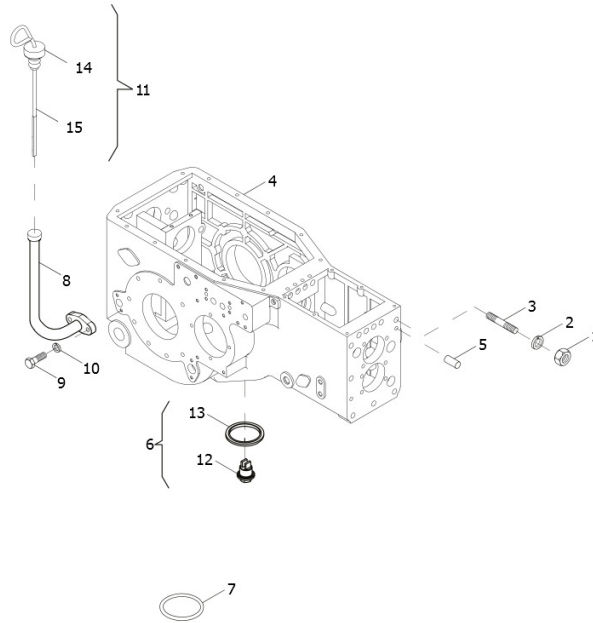


<b>POS</b>	<b>COD</b>	<b>Q.TÀ</b>	<b>DESCRIZIONE</b>	<b>ASSEMBLY NUMBER RANGE</b>
1	L0003925	1	CLUTCH SUBASSEMBLY	
2	L0003360	6	HEXAGON SOCKET CAP HEAD SCREW	
3	L0003515	6	STANDARD SPRING WASHER	
4	L0003927	1	TORSION BUFFER	
5	L0003926	1	PAD	
6	L0003099	1	STRAIGHT PIN	
7	L0002523	3	SEPARATE LEVER SPRING	
8	L0002400	3	FLOATING	
9	L0002545	3	SEPARATION LEVER ADJUSTMENT SCREW	
10	L0000361	3	LEVA RILASCIO FRIZIONE	
11	L0002401	3	SEPARATE LEVER IRON	
12	L0003928	1	CLUTCH FRICTION PLATE ASSEMBLY - 9 INCHES	
13	L0000360	1	SPINGIDISCO FRIZIONE	
14	L0003004	6	CLUTCH COMPRESSION SPRING	
15	L0002792	1	CLUTCH COVER	
16	L0002531	3	SEPARATION LEVER ADJUSTMENT NUT	
17	L0002361	3	TYPE 1 HEXAGON NUT	



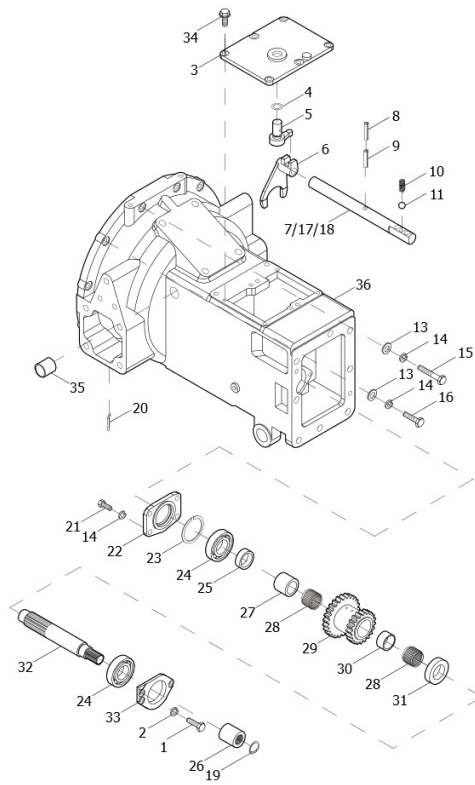


POS	COD	Q.TÀ	DESCRIZIONE	ASSEMBLY NUMBER RANGE
1	L0003273	7	HEXAGON BOLT	
2	L0002122	6	RONDELLA STANDARD	
3	L0001361	1	CUSCINETTO	
4	L0003257	1	HEX BOLT	
5	L0003257	1	HEX BOLT	
6	L0003929	1	SEPARATE BEARING BLOCK	
7	L0004240	1	LIMIT ARM WELDING	
8	L0003410	1	ELASTIC CYLINDRICAL PIN	
9	L0002100	1	Spring Column Pin	
10	L0002306	1	PEDAL RETURN SPRING	
11	L0003248	1	HEX BOLT	
12	L0003307	1	HEXAGON NUT, TYPE-1	
13	L0003131	1	HEXAGON FLANGE NUT	
14	L0002524	2	STOP SCREW	
15	L0000186	1	FORCELLA FRIZIONE	
16	L0003570	1	OIL CUP	
17	L0000185	2	MOLLA PEDALE FRIZIONE	
18	L0002368	1	LOW CARBON STEEL WIRE SZ-1.2	
19	L0004239	1	CLUTCH ARM WELDING	
20	L0002357	2	PIN SHAFT	
21	L0003534	2	FLAT WASHER	
22	L0002336	2	SPLIT PIN	
23	L0000470	1	FORCELLA POSTERIORE SOSPENSIONE	
24	L0004238	1	CLUTCH PEDAL ROCKER PRESS	
25	L0004242	1	CLUTCH UNDER WELDING ROD	
26	L0003323	1	HEXAGON NUT, TYPE-1	
27	L0004243	1	THE CLUTCH ON THE WELDING ROD	
28	L0004241	1	CLUTCH PEDAL SHAFT WELDING	
29	L0003506	1	STANDARD SPRING WASHER	





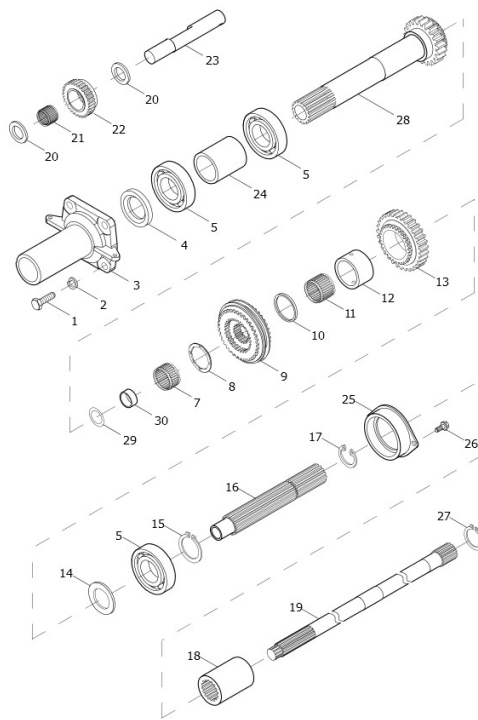
<b>POS</b>	<b>COD</b>	<b>Q.TÀ</b>	<b>DESCRIZIONE</b>	<b>ASSEMBLY NUMBER RANGE</b>
1	L0002384	7	TYPE 1 HEXAGON NUT	
2	L0003508	7	NORMAL TYPE SINGLE COIL SPRING LOCK WASHER	
3	L0002468	7	STUD STUD	
4	L0003961	1	TRANSMISSION CASE	
5	L0003094	4	ROUND PIN	
6	L0003874	1	OIL PLUG ASSEMBLY	
7	L0003197	1	O RING	
8	L0002562	1	DIPSTICK TUBE WELDING	
9	L0003275	2	HEXAGON BOLT	
10	L0002122	2	RONDELLA STANDARD	
11	L0001257	1	ASTA	
12	L0003873	1	OIL PLUG (M33X2)	
13	L0002456	1	O RING 29.6X2.9-M33X2	
14	L0003856	1	RUBBER SEAT	
15	L0003855	1	DIPSTICK	





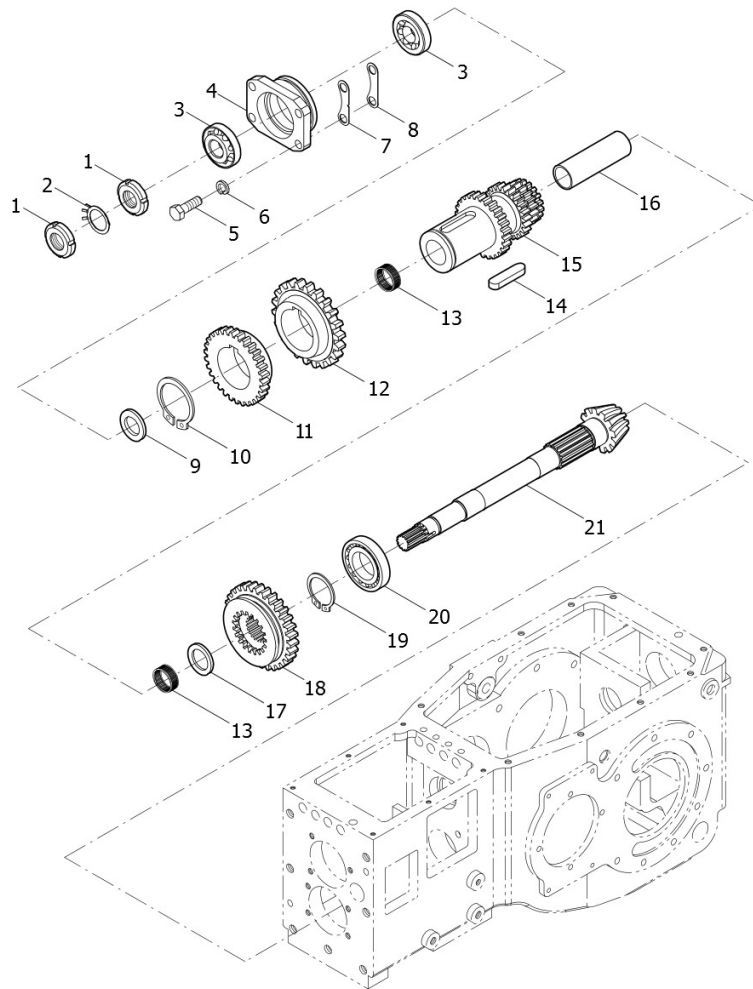
POS	COD	Q.TÀ	DESCRIZIONE	ASSEMBLY NUMBER RANGE
1	L0003274	5	HEXAGON HEAD BOLT	
2	L0002122	11	RONDELLA STANDARD	
3	L0003939	1	UPPER COVER OF SHUTTLE GEAR	
4	L0003194	1	O RING	
5	L0002693	1	ROCKER ARM OF SHUTTLE GEAR	
6	L0001559	1	SCONTRO DI FISSAGGIO	
7	L0003940	1	SHUTTLE TYPE SHIFTING FORK SHAFT	
8	L0003415	1	SPRING COLUMN PIN	
9	L0003419	1	SPRING COLUMN PIN	
10	L0002420	1	LOCK SPRING OF FORK SHAFT	
11	L0003184	1	STEEL BALL	
12	L0003947	1	CLUTCH HOUSING PRESS FIT	
13	L0003534	12	FLAT WASHER	
14	L0003505	20	STANDARD SPRING WASHER	
15	L0003222	4	HEX BOLT	
16	L0003244	8	HEXAGON BOLT	
17	L0003944	1	SHUTTLE TYPE SHIFTING FORK SHAFT	
18	L0003945	1	SHUTTLE TYPE SHIFTING FORK SHAFT	
19	L0003447	1	CIRCLIP FOR HOLE	
20	L0003496	1	COTTER PIN	
21	L0003240	8	BOLT	
22	L0002704	1	BEARING COVER	
23	L0002397	1	ADJUSTING SHIM	
24	L0003160	2	BEARING	
25	L0001389	1	BOCCOLA DISTANZIATRICE	
26	L0001394	1	ALBERO CARDANICO	
27	L0001741	1	BOCCOLA DISTANZIATRICE	
28	L0002739	2	RADIAL NEEDLE AND CAGE ASSEMBLIES	
29	L0001726	1	DOPPIO INGRANAGGIO CONDOTTO	
30	L0001727	1	BOCCOLA CORTA	
31	L0001729	1	ANELLO TENUTA ALBERO	
32	L0001393	1	ALBERO	
33	L0002717	1	BEARING COVER	
34	L0003134	2	HEXAGON FLANGE BOLT	
35	L0002494	2	ROCKER SHAFT BUSHING	
36	L0003946	1	CLUTCH HOUSING	





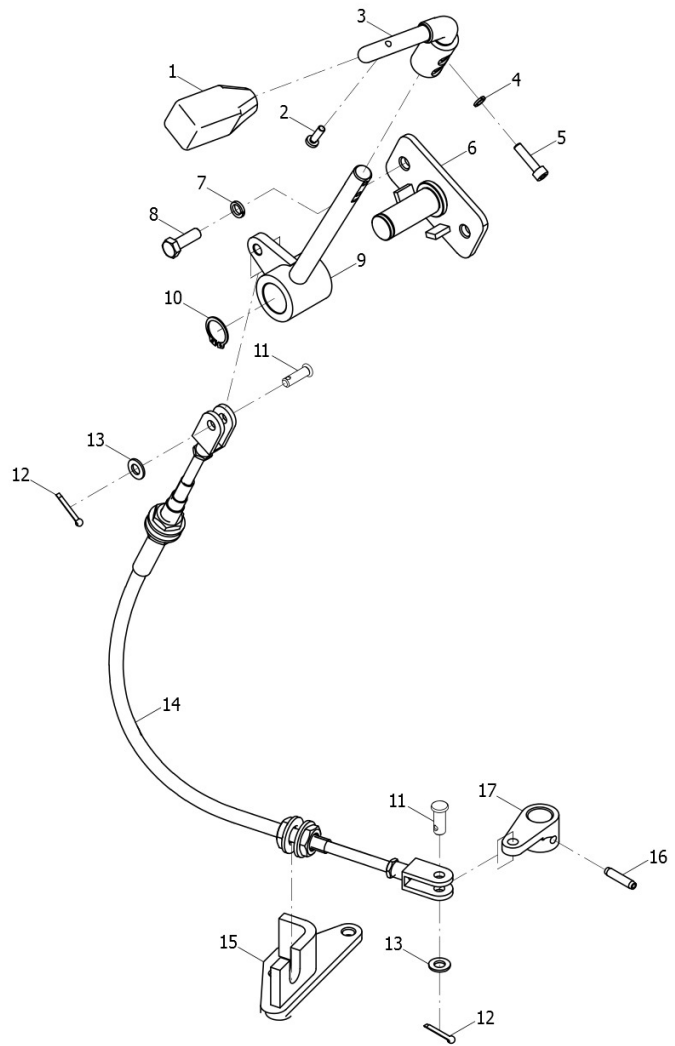


POS	COD	Q.TÀ	DESCRIZIONE	ASSEMBLY NUMBER RANGE
1	L0003240	8	BOLT	
2	L0003505	20	STANDARD SPRING WASHER	
3	L0002820	1	SEPARATE BEARING SEAT SUPPORT	
4	L0003554	1	LIP-SHAPE SEAL RING	
5	L0003152	3	DEEP GROOVE BALL BEARING	
6	L0003942	1	SHUTTLE SHIFT DRIVE GEAR SHAFT ASSEMBLY	
7	L0002565	1	RADIAL NEEDLE AND CAGE ASSEMBLIES	
8	L0001740	1	ANELLO TENUTA	
9	L0001725	1	INGRANAGGIO SINCRONIZZATORE	
10	L0001378	1	BOCCOLA DISTANZIATRICE	
11	L0000862	1	CUSCINETTO A RULLI	
12	L0001737	1	INGRANAGGIO CONDOTTO	
13	L0001728	1	INGRANAGGIO CONDOTTO	
14	L0002658	1	RETAINING RING OF OUTPUT SHAFT	
14	L0004185	1	RETAINING RING OF OUTPUT SHAFT	
14	L0004186	1	RETAINING RING OF OUTPUT SHAFT	
14	L0004187	1	RETAINING RING OF OUTPUT SHAFT	
14	L0004188	1	RETAINING RING OF OUTPUT SHAFT	
15	L0003464	1	CIRCLIP	
16	L0001738	1	ALBERO DI USCITA	
17	L0002480	1	CIRCLIP FOR HOLE	
18	L0001739	1	ALBERO BOCCOLA	
19	L0003941	1	POWER OUTPUT CLUTCH SHAFT	
20	L0001734	2	ANELLO TENUTA ALBERO	
21	L0002572	1	RADIAL NEEDLE AND CAGE ASSEMBLIES	
22	L0001735	1	INGRANAGGIO FOLLE	
23	L0001736	1	ALBERO	
24	L0000733	1	ANELLO TENUTA	
25	L0001730	1	CUSCINETTO SEDILE	
26	L0003133	6	HEXAGON FLANGE BOLT	
27	L0003458	1	CIRCLIP FOR SHAFT	
28	L0003943	1	SHUTTLE TYPE SHIFT DRIVE GEAR SHAFT	
29	L0003888	1	O RING	
30	L0003887	1	BUSHING	



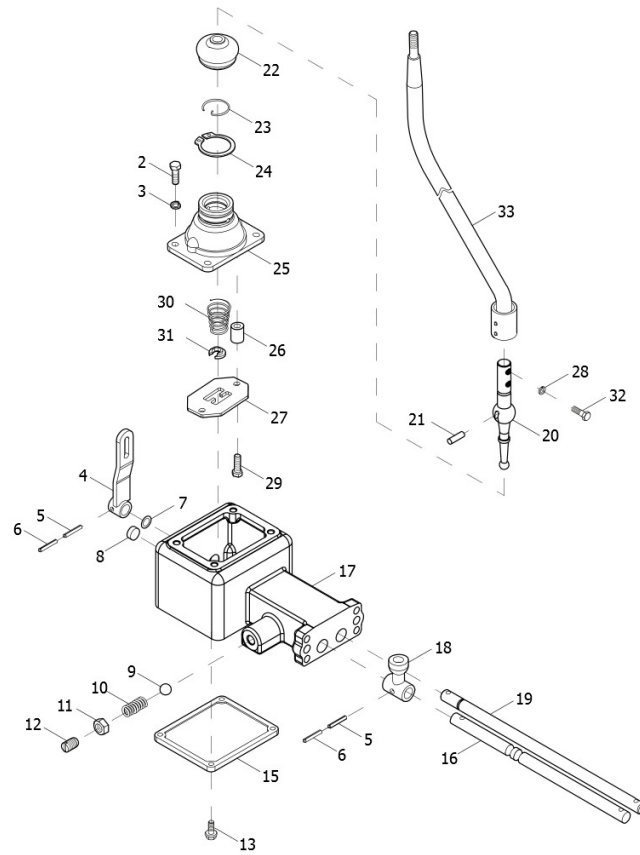


POS	COD	Q.TÀ	DESCRIZIONE	ASSEMBLY NUMBER RANGE
1	L0003372	2	ROUND NUT	
2	L0003407	1	STOP WASHER FOR ROUND NUT	
3	L0003175	2	TAPERED ROLLER BEARING	
4	L0002759	1	TWO AXLE FRONT BEARING HOUSING	
5	L0003240	7	BOLT	
6	L0003505	7	STANDARD SPRING WASHER	
7	L0002381	1	TWO AXIS ADJUSTING SHIM	
8	L0002382	1	TWO AXIS ADJUSTING SHIM	
9	L0000222	1	INGRANAGGIO INVERTITORE	
10	L0003470	1	CIRCLIP FOR SHAFT	
11	L0001664	1	INGRANAGGIO CONDOTTO	
12	L0001665	1	I INGRANAGGIO CONDOTTO	
13	L0002762	2	RADIAL NEEDLE AND CAGE ASSEMBLIES	
14	L0003090	1	FLAT KEY	
15	L0002927	1	DRIVEN GEARS OF THE THIRD AND FOURTH GEARS	
16	L0000219	1	BOCCOLA DISTANZIATRICE	
17	L0000218	1	ANELLO POSTERIORE ALBERO	
18	L0000217	1	INGRANAGGIO SCORREVOLE DI TRASMISSIONE	
19	L0003465	1	CIRCLIP FOR SHAFT	
20	L0001418	1	COLONNA CUSCINETTO A RULLI	
21	L0001663	1	II ALBERO	





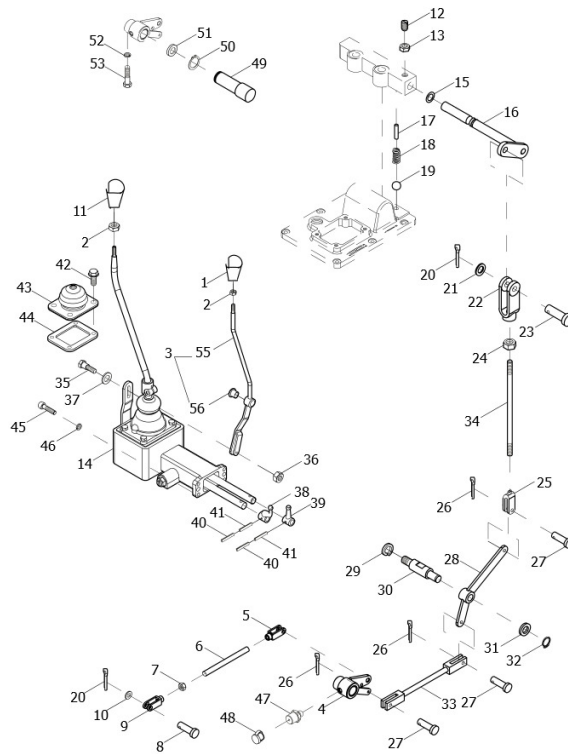
<b>POS</b>	<b>COD</b>	<b>Q.TÀ</b>	<b>DESCRIZIONE</b>	<b>ASSEMBLY NUMBER RANGE</b>
1	L0003950	1	SHUTTLE TYPE SHIFT HANDLE	
2	L0003381	1	CROSS SCREW	
3	L0003951	1	THE UPPER HAND WELDING SHIFT SHUTTLE	
4	L0003515	2	STANDARD SPRING WASHER	
5	L0003358	2	HEXAGON SOCKET CAP HEAD SCREW	
6	L0004264	1	SHUTTLE TYPE GEAR	
7	L0002122	2	RONDELLA STANDARD	
8	L0003275	2	HEXAGON BOLT	
9	L0003952	1	BUTTOON	
10	L0003456	1	CIRCLIP FOR SHAFT	
11	L0002599	2	PIN SHAFT	
12	L0003494	2	SPLIT PIN	
13	L0003551	2	FLAT WASHER	
14	L0003949	1	FLEXIBLE SHAFT FITTING	
15	L0003948	1	MOUNTING PLATE	
16	L0003589	1	PIN	
17	L0004263	1	ROCKER ARM	





POS	COD	Q.TÀ	DESCRIZIONE	ASSEMBLY NUMBER RANGE
1	L0003959	1	MAIN GEAR OPERATION COVER ASSEMBLY	
2	L0003275	4	HEXAGON BOLT	
3	L0002122	4	RONDELLA STANDARD	
4	L0004270	1	ROCKER ARM OPERATION WELDING UNDER AUX. SPEED	
5	L0003424	2	SPRING COLUMN PIN	
6	L0003431	2	FLEXIBLE PIN	
7	L0003192	1	O-RING	
8	L0002411	1	PLUG PIECE	
9	L0003187	1	STEEL BALL	
10	L0000636	1	MOLLA ALBERO FORCELLA	
11	L0003335	1	HEXAGON THIN NUT	
12	L0003369	1	SLOTTED FLAT END SET SCREWS	
13	L0003124	4	HEXAGON FLANGE NUT	
15	L0002725	1	LATERAL OPERATION UNDER THE COVER	
16	L0002728	1	MAIN SPEED CONTROL TRANSMISSION ROD	
17	L0003956	1	SIDE-MOUNTED OPERATION COVER	
18	L0001434	1	LEVA PRINCIPALE CONTROLLO FORCELLA CAMBIO	
19	L0002738	1	AUXILIARY TRANSMISSION CONTROL LEVER	
20	L0003891	1	JOYSTICK UNDER MAIN GEAR	
21	L0003098	1	CYLINDRICAL PIN	
22	L0002692	1	GEARSHIFT DUST COVER	
23	L0002373	1	STEEL WIRE RING	
24	L0003467	1	CIRCLIP FOR SHAFT	
25	L0001983	1	COPERCHIO LEVA CAMBIO	
26	L0003890	2	PADS	
27	L0002638	1	GEAR LEVER LIMIT PLATE	
28	L0002122	4	RONDELLA STANDARD	
29	L0003235	2	HEX BOLT	
30	L0002421	1	GEAR LEVER SPRING	
31	L0002540	1	GEAR LEVER SPRING RETAINER	
32	L0003277	2	HEXAGON HEAD BOLT	
33	L0003960	1	JOYSTICK WELDING ON MAIN GEAR	





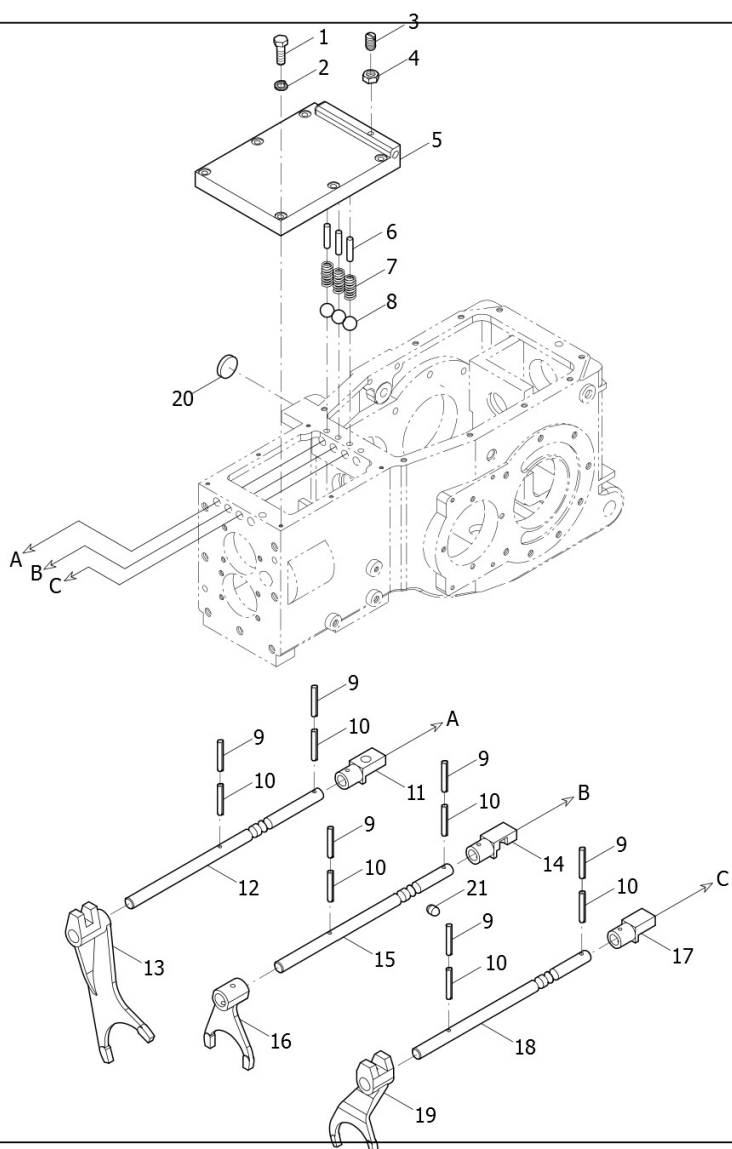


POS	COD	Q.TÀ	DESCRIZIONE	ASSEMBLY NUMBER RANGE
1	L0002742	1	AUXILIARY SHIFT JOYSTICK	
2	L0003307	2	HEXAGON NUT, TYPE-1	
3	L0004271	1	GEAR SHIFT ON AUXILIARY GEAR	
4	L0004268	1	CLUTCH LINKAGE ROCKER ASSEMBLY	
5	L0000646	1	FORCELLA SX TIRANTE	
6	L0002580	1	PULL ROD	
7	L0003323	1	HEXAGON NUT, TYPE-1	
8	L0003435	2	PIN SHAFT	
9	L0000645	1	FORCELLA DX TIRANTE	
10	L0003534	2	FLAT WASHER	
11	L0003957	1	MAIN SHIFT HANDLE ASSEMBLY	
12	L0000257	1	VITE DI FISSAGGIO	
13	L0003338	1	HEXAGON THIN NUT	
14	L0003958	1	SIDE-MOUNTED OPERATING MECHANISM ASSEMBLY	
15	L0003211	1	O-RING	
16	L0001430	1	SUPPORTO ALBERO	
17	L0002345	3	FIXED PIN	
18	L0002420	3	LOCK SPRING OF FORK SHAFT	
19	L0003184	3	STEEL BALL	
20	L0003494	2	SPLIT PIN	
21	L0003551	2	FLAT WASHER	
22	L0000275	1	TIRANTE DI BLOCCO PER AMMORTIZZARE FORCELLA	
23	L0003441	2	PIN SHAFT	
24	L0003320	1	HEXAGON NUT, TYPE-1	
25	L0001433	1	BOCCOLA	
26	L0003491	2	SPLIT PIN	
27	L0003439	2	PIN SHAFT	
28	L0002518	1	BUSHING WELDING	
29	L0003506	1	STANDARD SPRING WASHER	
30	L0002589	1	STUD	
31	L0003403	1	SMALL WASHER	
32	L0003454	1	CIRCLIP FOR SHAFT	
33	L0002664	1	ROD WELDING (2)	
34	L0002534	1	PULL ROD	
35	L0002469	1	STEP BOLT	
36	L0003318	1	HEXAGON NUT, TYPE-1	
37	L0003521	1	FLAT WASHERS	
38	L0001436	1	LEVA PRINCIPALE CONTROLLO FORCELLA CAMBIO	
39	L0001437	1	LEVA AUSILIARIA	
40	L0003431	2	FLEXIBLE PIN	



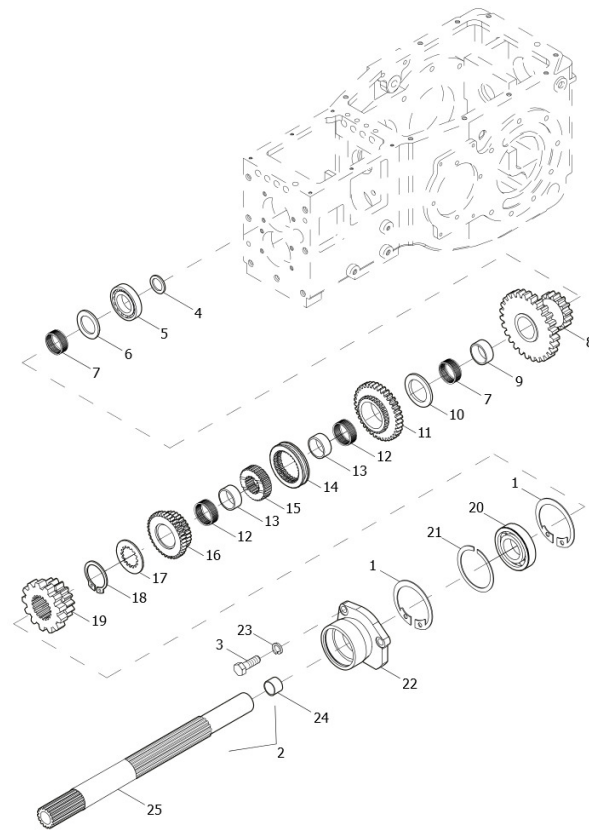
<b>POS</b>	<b>COD</b>	<b>Q.TÀ</b>	<b>DESCRIZIONE</b>	<b>ASSEMBLY NUMBER RANGE</b>
41	L0003424	2	SPRING COLUMN PIN	
42	L0003121	4	HEX BOLT WITH FLANGE	
43	L0002795	1	PROTECTING MASK	
44	L0002579	1	PRESSURE PLATE	
45	L0003363	4	HEXAGON SOCKET CAP HEAD SCREW	
46	L0002122	10	RONDELLA STANDARD	
47	L0003572	1	CONNECTOR PRESSURE INJECTION CUP	
48	L0002354	1	DUSTPROOF CAP OF OIL CUP	
49	L0004269	1	CLUTCH CHAIN ROCKER SHAFT	
50	L0003459	1	CIRCLIP FOR SHAFT	
51	L0002564	1	CIRCLIP	
52	L0003505	1	STANDARD SPRING WASHER	
53	L0003243	1	OUTPUT SHAFT	
54	L0003484	2	COTTER PIN	
55	L0004272	1	SUBSIDIARY GEAR LEVER WELDING	
56	L0002499	1	NYLON SLEEVE	







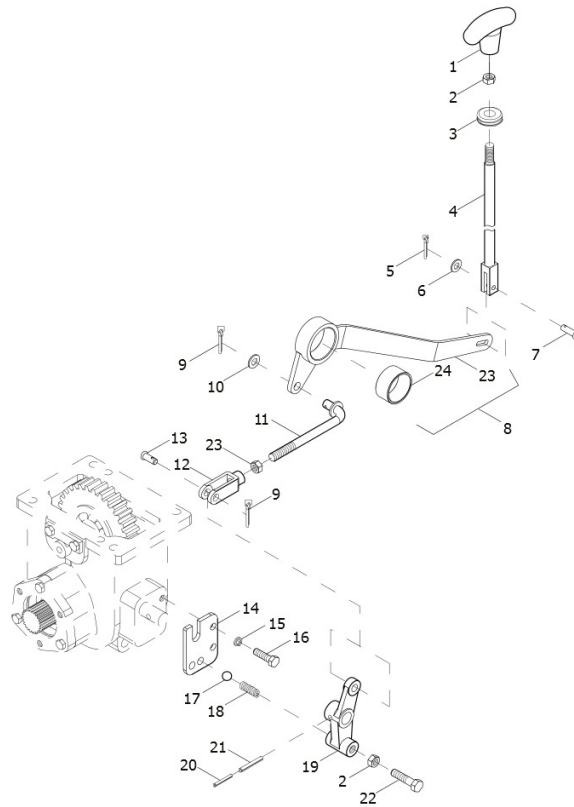
POS	COD	Q.TÀ	DESCRIZIONE	ASSEMBLY NUMBER RANGE
1	L0003278	6	HEXAGON HEAD BOLT	
2	L0002122	10	RONDELLA STANDARD	
3	L0000257	1	VITE DI FISSAGGIO	
4	L0003338	1	HEXAGON THIN NUT	
5	L0002909	1	TRANSMISSION CHAIN COVER	
6	L0002345	3	FIXED PIN	
7	L0002420	3	LOCK SPRING OF FORK SHAFT	
8	L0003184	3	STEEL BALL	
9	L0003415	6	SPRING COLUMN PIN	
10	L0003419	6	SPRING COLUMN PIN	
11	L0001440	1	MANICOTTO DI SELEZIONE	
12	L0001744	1	ALBERO FORCELLA	
13	L0000237	1	INGRANAGGIO SUPERIORE E POSTERIORE FORCELLA	
14	L0001439	1	III-IV MANICOTTO DI SELEZIONE	
15	L0001743	1	III-IV FORCELLA CARDANO	
16	L0000235	1	III E IV INGRANAGGIO FORCELLA	
17	L0001438	1	I-II MANICOTTO DI SELEZIONE	
18	L0001742	1	I E II INGRANAGGIO FORCELLA	
19	L0001672	1	I-II ALBERO FORCELLA	
20	L0002415	1	PLUG	
21	L0002422	1	SHIFT SHAFT INTERLOCK PIN	





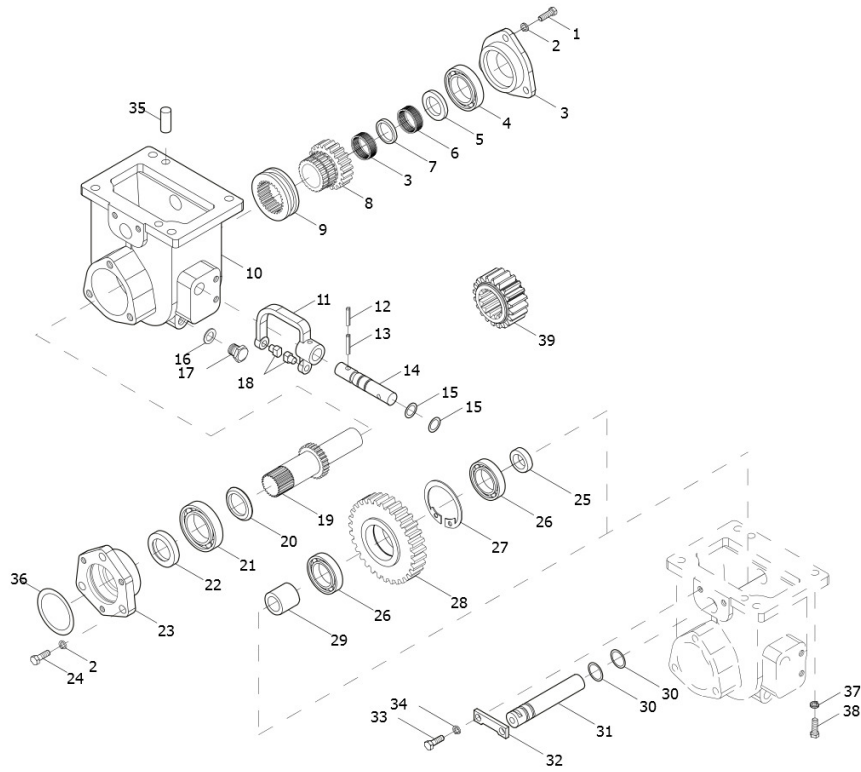
POS	COD	Q.TÀ	DESCRIZIONE	ASSEMBLY NUMBER RANGE
1	L0003464	2	CIRCLIP	
2	L0002775	1	AXLE SLEEVE	
3	L0003240	7	BOLT	
4	L0000263	1	CUSCINETTO REGGISPINTA	
5	L0003167	1	COLUMN ROLLER BEARING	
6	L0002984	1	ONE AXLE VARIABLE SPEED SPACER	
6	L0002985	1	ONE AXLE VARIABLE SPEED SPACER	
6	L0002986	1	ONE AXLE VARIABLE SPEED SPACER	
6	L0002987	1	ONE AXLE VARIABLE SPEED SPACER	
6	L0002988	1	ONE AXLE VARIABLE SPEED SPACER	
7	L0002739	2	RADIAL NEEDLE AND CAGE ASSEMBLIES	
8	L0000238	1	INGRANAGGIO SUPERIORE E POSTERIORE	
9	L0000232	1	DISTANZIATORE	
10	L0000231	1	IV INGRANAG. TRASM. ANELLO TENUTA	
11	L0002858	1	FOURTH GEAR DRIVE GEAR	
12	L0002858	2	FOURTH GEAR DRIVE GEAR	
13	L0000228	2	DISTANZIALE	
14	L0002836	1	MESHING SLEEVE	
15	L0000229	1	INGRANAGGIO SEDILE	
16	L0002850	1	THIRD GEAR DRIVE GEAR	
17	L0002563	1	THIRD GEAR RING	
18	L0003463	1	CIRCLIP FOR SHAFT	
19	L0001666	1	I-II INGRANAGGIO SCORREVOLE	
20	L0003153	1	DEEP GROOVE BALL BEARING	
21	L0002590	1	THRUST RING	
22	L0002734	1	FRONT AXLE BEARING COVER	
23	L0003505	7	STANDARD SPRING WASHER	
24	L0002775	1	AXLE SLEEVE	
25	L0002904	1	A SHAFT	





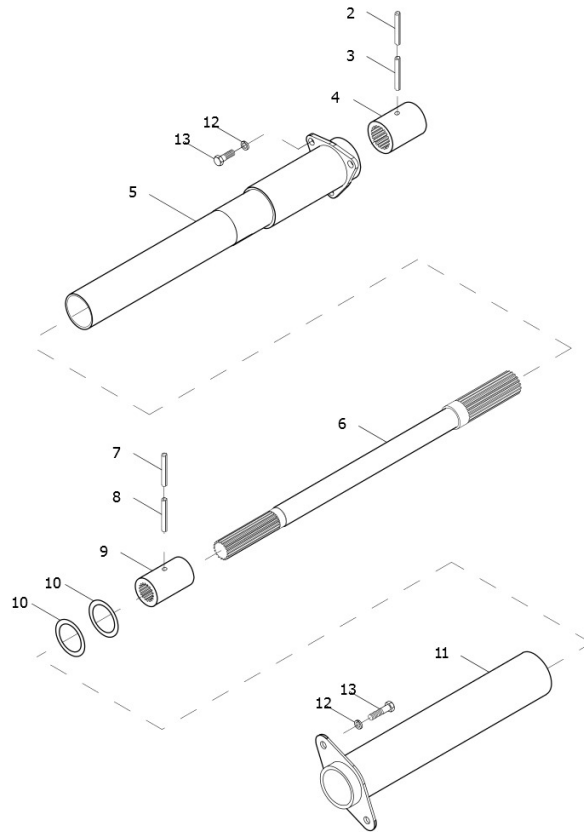


POS	COD	Q.TÀ	DESCRIZIONE	ASSEMBLY NUMBER RANGE
1	L0004033	1	FOUR-WHEEL DRIVE HOOK HANDLE	
2	L0003307	3	HEXAGON NUT, TYPE-1	
3	L0001919	1	RONDELLA	
4	L0004290	1	JOYSTICK WELDING	
5	L0003484	1	COTTER PIN	
6	L0003548	1	FLAT WASHER	
7	L0003440	1	PIN	
8	L0004291	1	INTERMEDIATE ROCKER ARM	
9	L0003494	2	SPLIT PIN	
10	L0003534	2	FLAT WASHER	
11	L0001596	1	TIRANTE	
12	L0000645	1	FORCELLA DX TIRANTE	
13	L0002357	1	PIN SHAFT	
14	L0002736	1	POSITIONING PLATE	
15	L0002122	2	RONDELLA STANDARD	
16	L0003274	2	HEXAGON HEAD BOLT	
17	L0003185	1	STEEL BALL	
18	L0001917	1	MOLLA FRENATURA RIMORCHIO	
19	L0001593	1	COMPLESSO BILANCIERE	
20	L0003411	1	ELASTIC CYLINDRICAL PIN	
21	L0003424	1	SPRING COLUMN PIN	
22	L0003240	1	BOLT	
23	L0004292	1	INTERMEDIATE ROCKER WELDING	
24	L0003898	1	INTERMEDIATE ROCKER BUSHING	



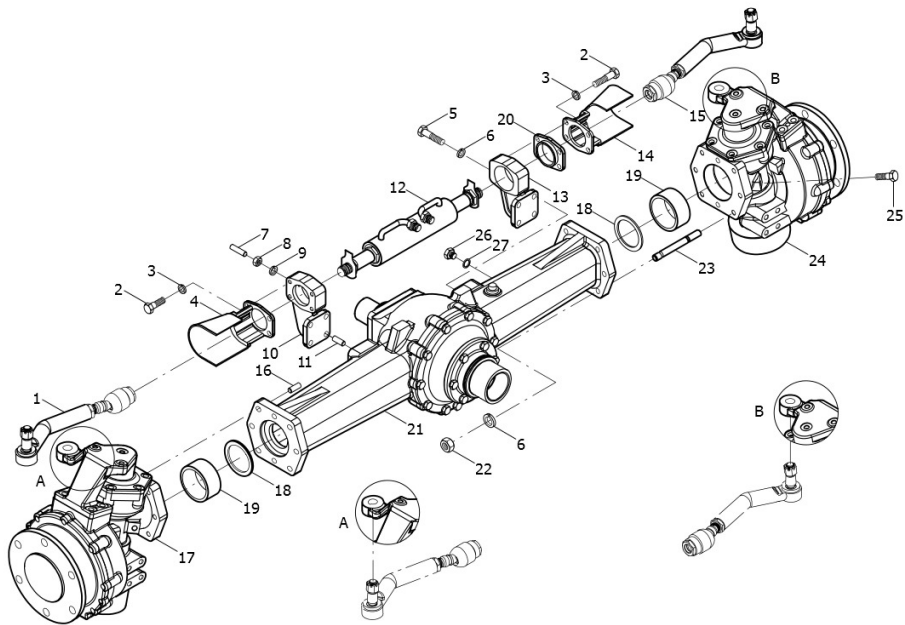


POS	COD	Q.TÀ	DESCRIZIONE	ASSEMBLY NUMBER RANGE
1	L0003239	3	BEARING	
2	L0003504	6	WASHER	
3	L0002708	1	REAR BEARING CAP	
4	L0003160	1	BEARING	
5	L0002558	1	OUTPUT SHAFT REAR THRUST RING	
6	L0000759	2	BOCCOLA	
7	L0000338	1	BOCCOLA DISTANZIATRICE	
8	L0001586	1	INGRANAGGIO CONDOTTO SCATOLA TRASMISSIONE	
9	L0000341	1	MANICOTTO SCORREVOLE	
10	L0001582	1	FORCELLA SCATOLA TRASMISSIONE	
11	L0002990	1	TRANSFER BOX FORK	
12	L0003424	1	SPRING COLUMN PIN	
13	L0003416	1	ELASTIC CYLINDRICAL PIN	
14	L0001584	1	FORCELLA SCATOLA TRASMISSIONE	
15	L0003192	2	O-RING	
16	L0003574	1	COMBINED SEAL GASKET	
17	L0002427	1	HEXAGON PLUG	
18	L0000340	2	SCATOLA FORCELLA DI TRASMISSIONE	
19	L0000337	1	ALBERO DI USCITA	
20	L0002571	1	OUTPUT SHAFT FRONT THRUST RING	
21	L0003151	1	DEEP GROOVE BALL BEARING	
22	L0001580	1	PARAOLIO	
23	L0002789	1	FRONT BEARING CAP	
24	L0003243	3	OUTPUT SHAFT	
25	L0002550	1	INTERMEDIATE SHAFT SMALL PUSH RING	
26	L0003150	2	OIL SEAL	
27	L0003450	1	CIRCLIP FOR HOLE	
28	L0001587	1	INGRANAGGIO SCATOLA TRASMISSIONE	
29	L0003897	1	HEX BOLT	
30	L0003196	2	O-RING	
31	L0001585	1	ALBERO	
32	L0002552	1	INTERMEDIATE SHAFT POSITIONING PLATE	
33	L0003274	2	HEXAGON HEAD BOLT	
34	L0003517	2	STANDARD SPRING WASHER	
35	L0003092	2	TRANSFER GEAR INTERMEDIATE GEAR	
36	L0003209	1	O-RING	
37	L0003504	4	WASHER	
38	L0003241	4	HEX HEAD BOLT	
39	L0001390	1	INGRANAGGIO TRASMISSIONE ANTERIORE	





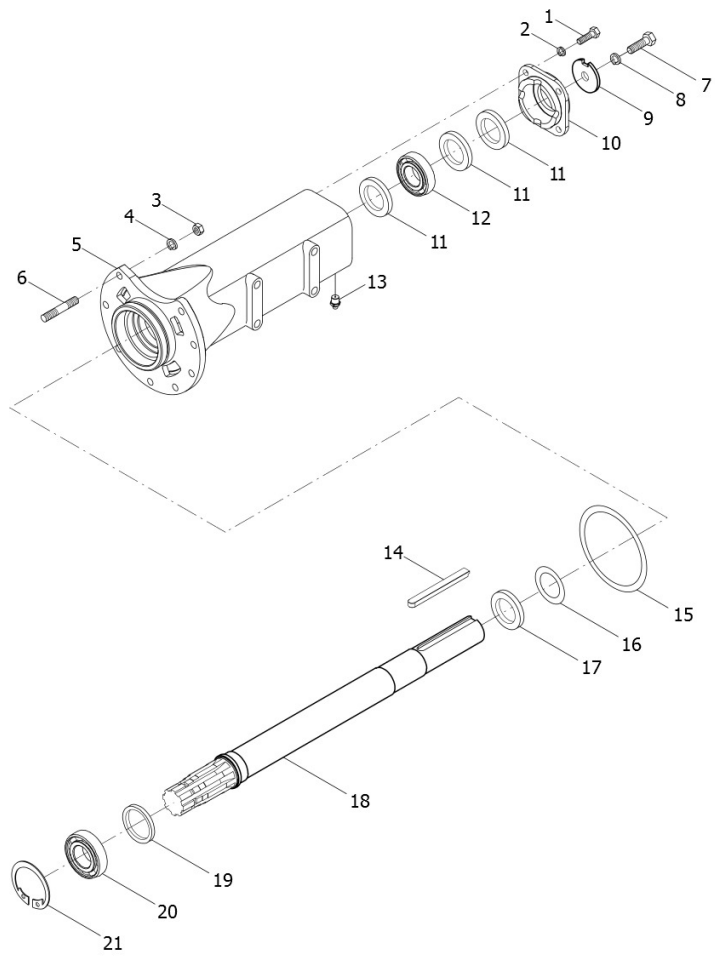
POS	COD	Q.TÀ	DESCRIZIONE	ASSEMBLY NUMBER RANGE
1	L0002942	1	TRANSFER BOX DRIVE SHAFT ASSEMBLY	
2	L0003066	1	ELASTIC CYLINDRICAL PIN	
3	L0003068	1	ELASTIC CYLINDRICAL PIN	
4	L0000339	1	ALBERO CARDANICO	
5	L0002898	1	AFTER THE CASING CASING WELDING	
6	L0002903	1	TRANSFER BOX DRIVE SHAFT	
7	L0003065	1	ELASTIC CYLINDRICAL PIN	
8	L0003067	1	ELASTIC CYLINDRICAL PIN	
9	L0000344	1	ALBERO CARDANICO ANTERIORE	
10	L0003035	1	O-RING	
11	L0001591	1	MANICOTTO ANTERIORE	
12	L0003077	5	STANDARD SPRING WASHER	
13	L0003050	5	BOLT	





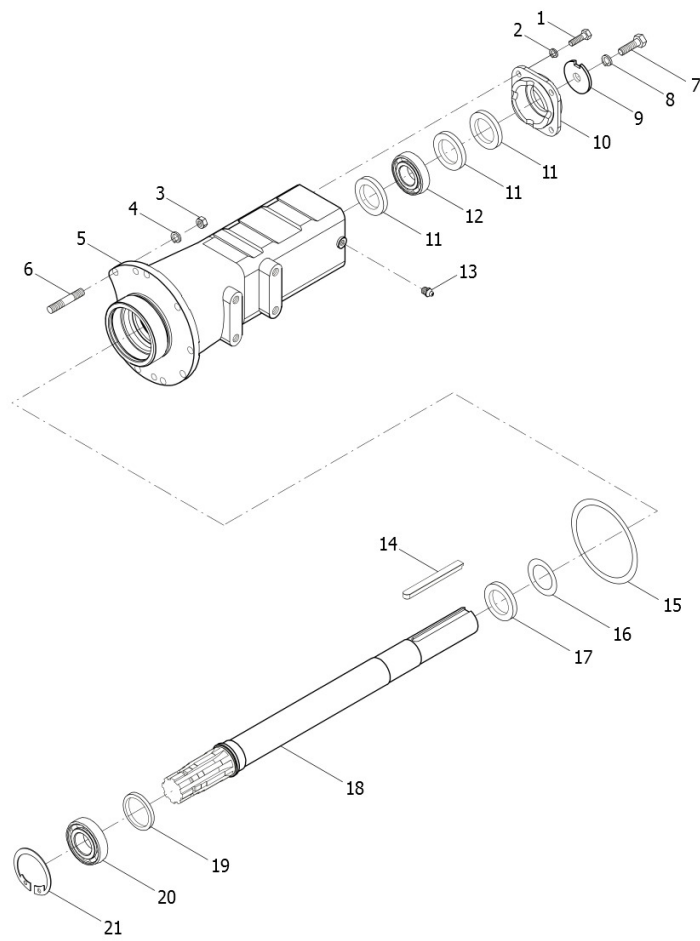
<b>POS</b>	<b>COD</b>	<b>Q.TÀ</b>	<b>DESCRIZIONE</b>	<b>ASSEMBLY NUMBER RANGE</b>
1	L0002918	1	LEFT TURN CABLE ASSEMBLY	
2	L0003051	8	HEXAGON HEAD BOLT	
3	L0003077	8	STANDARD SPRING WASHER	
4	L0002732	1	CYLINDER COVER WELDING (LEFT)	
5	L0003042	10	HEXAGON HEAD BOLT	
6	L0003073	12	STANDARD SPRING WASHER	
7	L0003060	1	SLOTTED TAPERED SCREW	
8	L0003058	1	HEXAGONAL NUTS	
9	L0003076	1	STANDARD SPRING WASHER	
10	L0002816	1	CYLINDER HOLDER	
11	L0003019	4	ROUND PIN	
12	L0002956	1	HYDRAULIC CYLINDER ASSEMBLY	
13	L0002815	1	CYLINDER HOLDER	
14	L0002733	1	CYLINDER COVER WELDING (RIGHT)	
15	L0002919	1	RIGHT TURN TO THE TIE ROD ASSEMBLY	
16	L0003018	4	ROUND PIN	
17	L0004245	1	LEFT DRIVE ASSEMBLY	
18	L0002449	1	ADJUST THE PAD	
19	L0002651	2	POSITIONING SLEEVE	
20	L0002731	1	SEAT COVER	
21	L0004244	1	MAIN GEARBOX ASSEMBLY	
22	L0003056	12	TYPE 1 HEXAGON NUT	
23	L0003070	12	STUD STUDS	
24	L0004246	1	RIGHT DRIVE ASSEMBLY	
25	L0002584	2	LIMIT BOLTS	
26	L0002507	2	HEX HEAD PLUG	
27	L0003569	2	COMBINED SEALING WASHER	





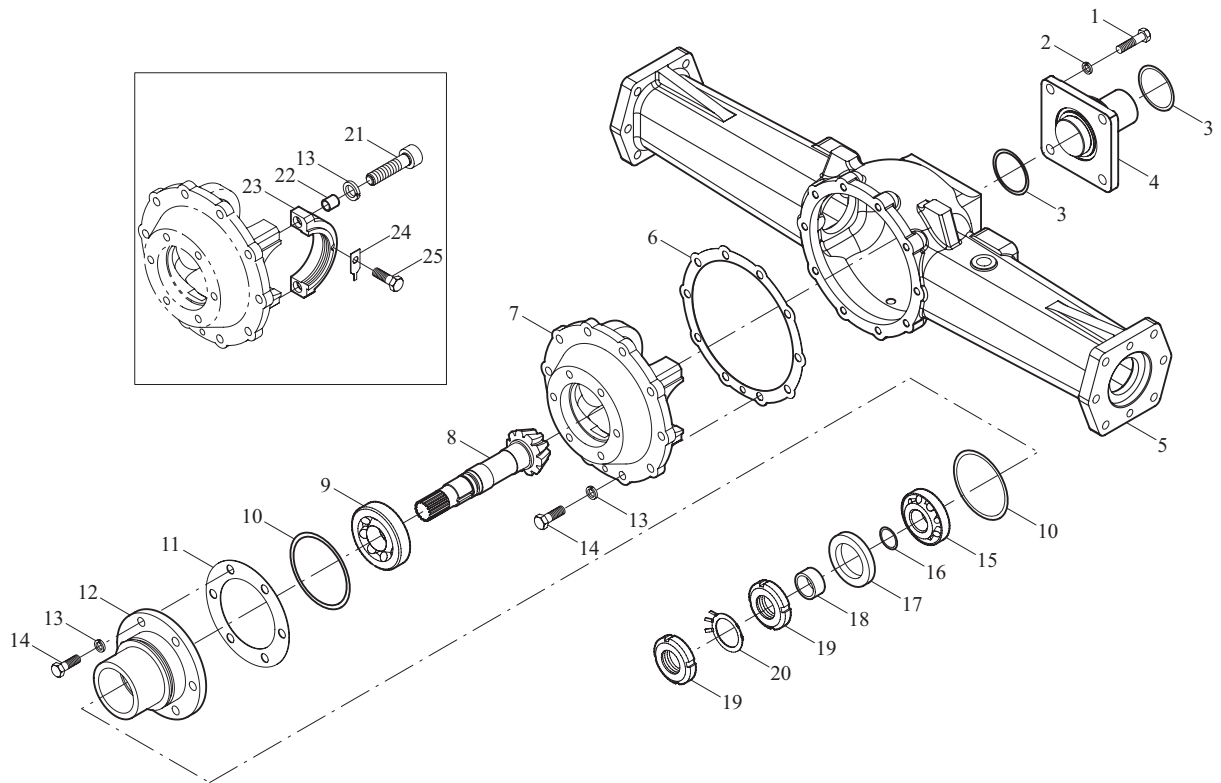


POS	COD	Q.TÀ	DESCRIZIONE	ASSEMBLY NUMBER RANGE
1	L0003240	4	BOLT	
2	L0003505	4	STANDARD SPRING WASHER	
3	L0002346	8	HEXAGON NUT TYPE-1	
4	L0003506	8	STANDARD SPRING WASHER	
5	L0003962	1	LEFT DRIVE SHAFT BUSHING	
6	L0003478	8	DOUBLE END STUD	
7	L0003261	1	HEXAGON BOLT	
8	L0003510	1	STANDARD SPRING WASHER	
9	L0002522	1	RING	
10	L0002777	1	DRIVE SHAFT BEARING CAP	
11	L0003556	3	LIP-SHAPE SEAL RING	
12	L0003156	1	DEEP GROOVE BALL BEARING	
13	L0003570	1	OIL CUP	
14	L0002575	1	SQUARE AND RECTANGULAR KEY	
15	L0003191	1	O RING	
16	L0002425	1	OIL SEAL RING	
17	L0003557	1	LIP-SHAPE SEAL RING	
18	L0001677	1	ALBERO TRASMISSIONE	
19	L0002619	1	BEARING RETAINER RING	
20	L0003157	1	DEEP GROOVE BALL BEARING	
21	L0003445	1	CIRCLIP FOR HOLE	



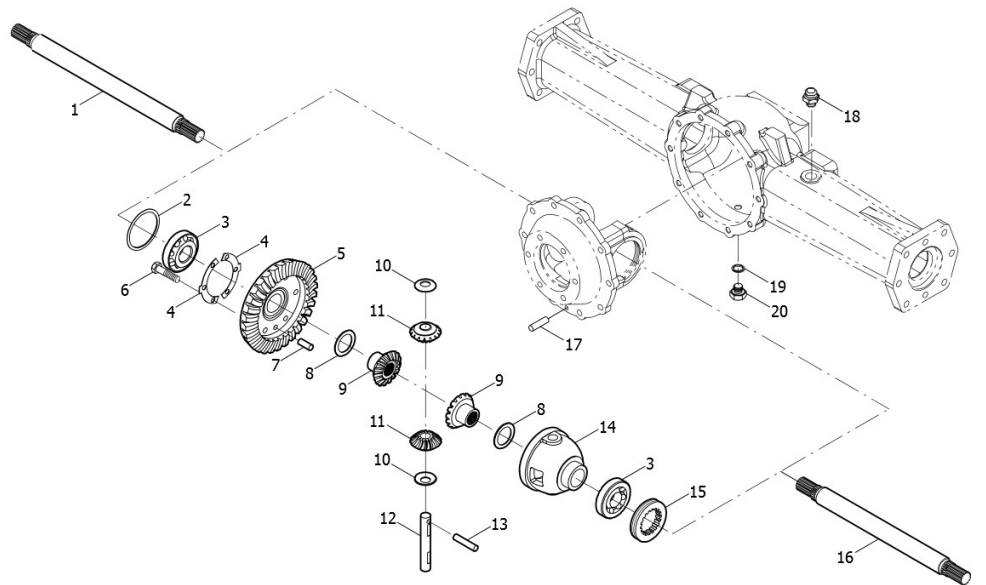


POS	COD	Q.TÀ	DESCRIZIONE	ASSEMBLY NUMBER RANGE
1	L0003240	4	BOLT	
2	L0003505	4	STANDARD SPRING WASHER	
3	L0002346	8	HEXAGON NUT TYPE-1	
4	L0003506	8	STANDARD SPRING WASHER	
5	L0003963	1	RIGHT DRIVE SHAFT BUSHING	
6	L0003478	8	DOUBLE END STUD	
7	L0003261	1	HEXAGON BOLT	
8	L0003510	1	STANDARD SPRING WASHER	
9	L0002522	1	RING	
10	L0002777	1	DRIVE SHAFT BEARING CAP	
11	L0003556	3	LIP-SHAPE SEAL RING	
12	L0003156	1	DEEP GROOVE BALL BEARING	
13	L0003570	1	OIL CUP	
14	L0002575	1	SQUARE AND RECTANGULAR KEY	
15	L0003191	1	O RING	
16	L0002425	1	OIL SEAL RING	
17	L0003557	1	LIP-SHAPE SEAL RING	
18	L0001677	1	ALBERO TRASMISSIONE	
19	L0002619	1	BEARING RETAINER RING	
20	L0003157	1	DEEP GROOVE BALL BEARING	
21	L0003445	1	CIRCLIP FOR HOLE	





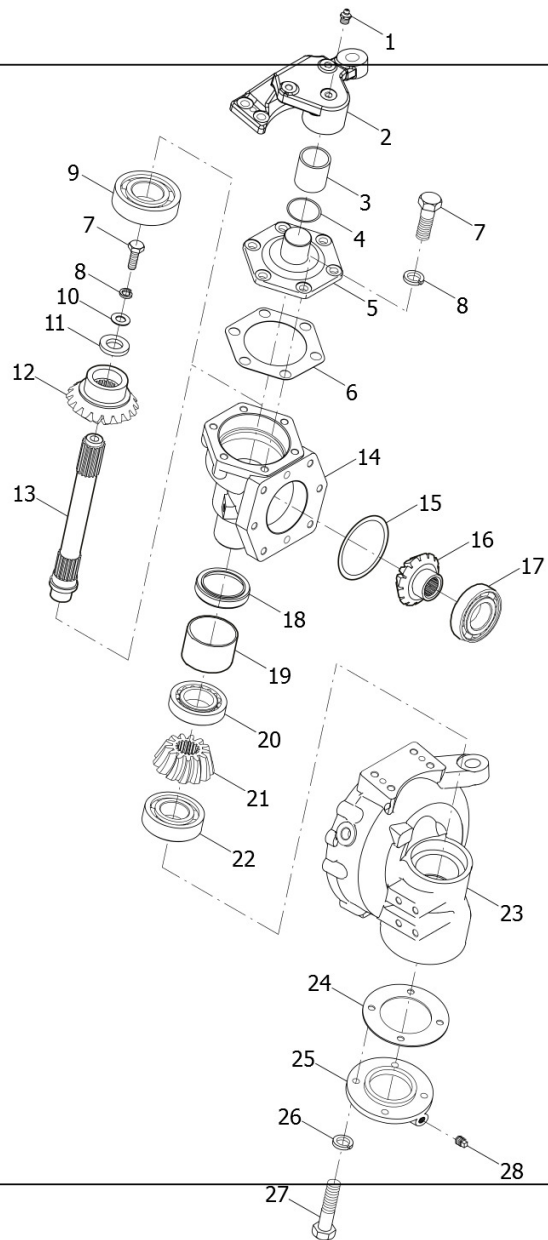
<b>POS</b>	<b>COD</b>	<b>Q.TÀ</b>	<b>DESCRIZIONE</b>	<b>ASSEMBLY NUMBER RANGE</b>
1	L0003045	4	HEX BOLT	
2	L0003074	4	NORMAL TYPE SINGLE COIL SPRING LOCK WASHER	
3	L0003037	2	O - RING	
4	L0002920	1	FRONT SUPPORT SHAFT	
5	L0004250	1	MAIN GEARBOX HOUSING	
6	L0002450	1	ADJUST THE PAD	
7	L0002957	1	DIFFERENTIAL BEARING	
8	L0004248	1	ENTER THE BEVEL GEAR SHAFT	
9	L0003029	1	TAPERED ROLLER BEARING	
10	L0003038	2	O - RING	
11	L0002442	1	ADJUST THE PAD	
12	L0002873	1	REAR SUPPORT SHAFT	
13	L0003073	18	STANDARD SPRING WASHER	
14	L0003043	16	HEX BOLT	
15	L0003030	1	TAPERED ROLLER BEARING	
16	L0003033	1	O - RING	
17	L0003087	1	LIP-SHAPE SEAL RING	
18	L0002743	1	OIL SEAL BUSHING	
19	L0003061	2	SMALL ROUND NUT	
20	L0003064	1	CIRCULAR WASHERS FOR NUTS	
21	L0003059	2	HEXAGON SOCKET CAP HEAD SCREW	
22	L0002639	2	POSITIONING SLEEVE	
23	L0002770	1	BEARING FIXING SLEEVE	
24	L0002501	1	STOP GASKET	
25	L0003049	1	HEXAGON HEAD BOLT	





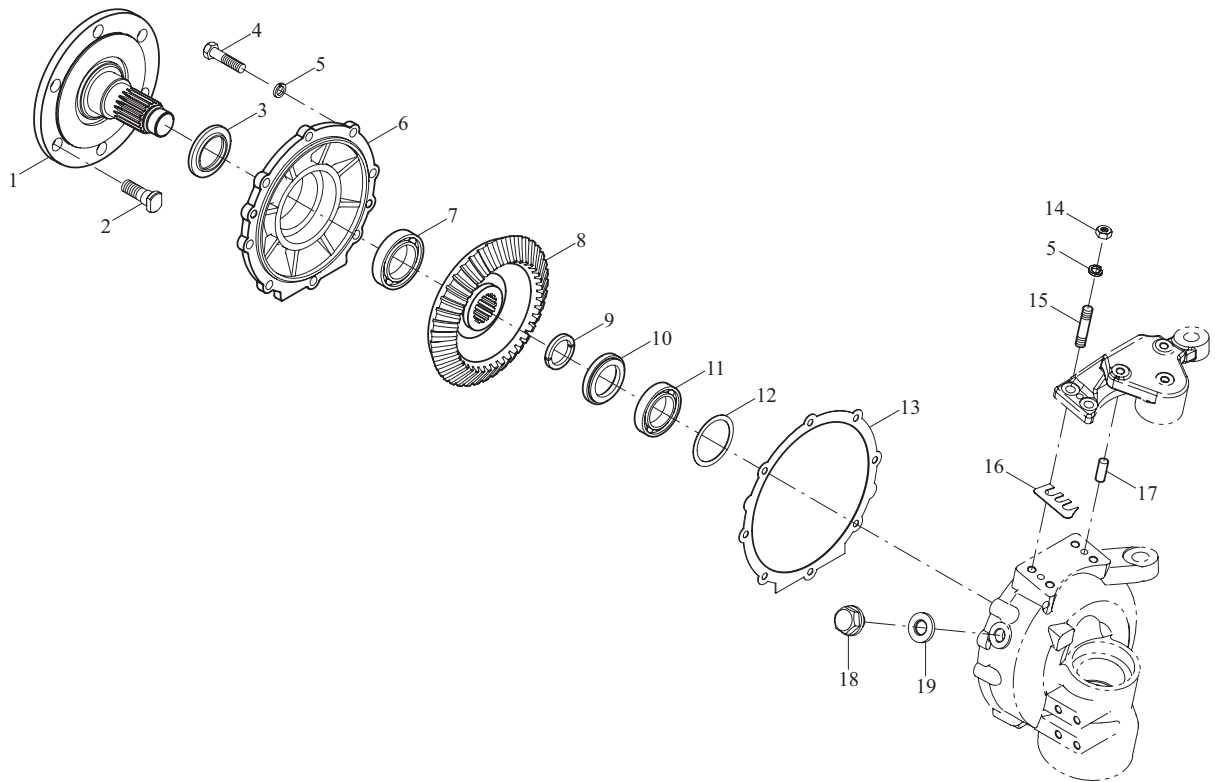
<b>POS</b>	<b>COD</b>	<b>Q.TÀ</b>	<b>DESCRIZIONE</b>	<b>ASSEMBLY NUMBER RANGE</b>
1	L0002842	1	LEFT HALF AXLE	
2	L0002528	1	ADJUST THE PAD	
3	L0003031	2	TAPERED ROLLER BEARING	
4	L0002548	2	STOP GASKET	
5	L0004247	1	BIG BEVEL GEARS	
6	L0003052	6	HEX BOLT	
7	L0003022	1	ROUND PIN	
8	L0002583	2	PLAIN WASHER	
9	L0002729	2	DIFFERENTIAL GEARS	
10	L0002613	2	SPHERICAL WASHERS	
11	L0002695	2	PLANETARY GEAR	
12	L0002753	1	DIFFERENTIAL PIN	
13	L0003020	1	ROUND PIN	
14	L0004249	1	DIFFERENTIAL CASE	
15	L0002712	1	ADJUST THE NUT	
16	L0002849	1	RIGHT HALF AXLE	
17	L0003021	1	ROUND PIN	
18	L0002640	1	STEEL BALLOON PLUG	
19	L0004259	1	WASHER	
20	L0002427	1	HEXAGON PLUG	





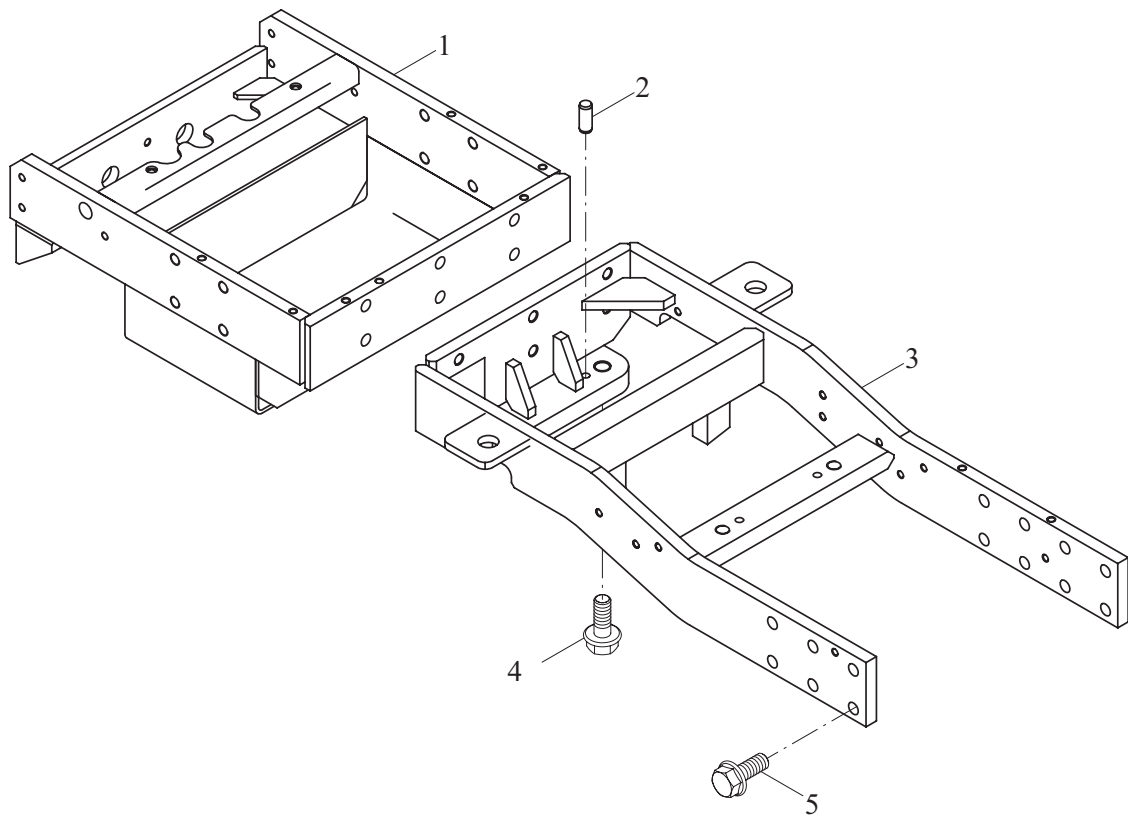


POS	COD	Q.TÀ	DESCRIZIONE	ASSEMBLY NUMBER RANGE
	L0005854	1	Right turn support	
1	L0003568	1	STRAIGHT HYDRAULIC GREASE NIPPLE	
2	L0004253	1	LEFT TURN SUPPORT	
3	L0002641	1	SLIDING SLEEVE 35 x 39 x 30	
4	L0003034	1	O - RING	
5	L0002865	1	STEERING AXLE SEAT	
6	L0002460	1	GASKET	
7	L0003042	7	HEXAGON HEAD BOLT	
8	L0003073	7	STANDARD SPRING WASHER	
9	L0003026	1	DEEP GROOVE BALL BEARINGS	
10	L0003080	1	PLAIN WASHER	
11	L0002608	1	PAD	
12	L0002826	1	AXLE GEARS	
13	L0002806	1	END PIN	
14	L0002908	1	STEERING GEAR HOUSING	
15	L0003039	1	O - RING	
16	L0002754	1	AXLE PINION	
17	L0003025	1	DEEP GROOVE BALL BEARINGS	
18	L0002560	1	DUST RING	
19	L0002705	1	SLIDING SLEEVE 50 x 55 x 35	
20	L0003032	1	THRUST BALL BEARINGS	
21	L0002785	1	TERMINAL PINION	
22	L0003027	1	DEEP GROOVE BALL BEARINGS	
23	L0002952	1	LEFT END SHELL	
24	L0002418	1	ADJUST THE PAD	
25	L0005016	1	RIGHT END SHELL	
25	L0002862	1	BOTTOM COVER	
26	L0003076	4	STANDARD SPRING WASHER	
27	L0003048	4	HEX BOLT	
28	L0002623	1	SQUARE HEAD CONICAL PLUG	



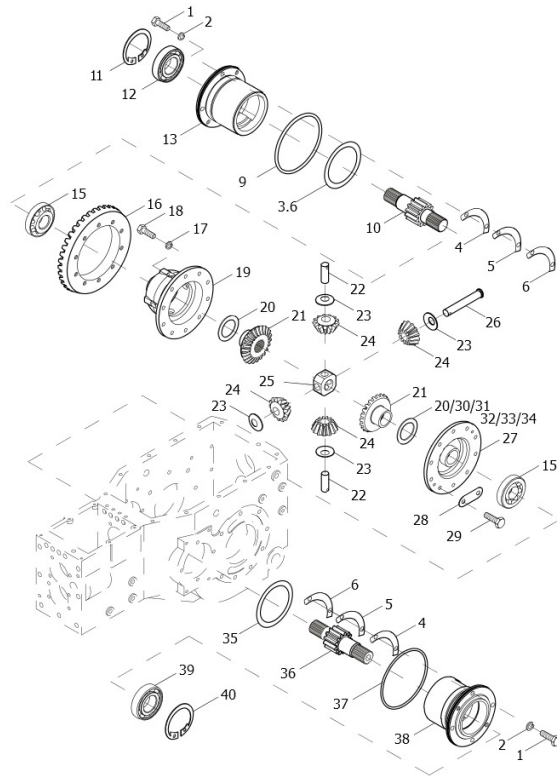


<b>POS</b>	<b>COD</b>	<b>Q.TÀ</b>	<b>DESCRIZIONE</b>	<b>ASSEMBLY NUMBER RANGE</b>
1	L0002915	1	FRONT DRIVE SHAFT	
2	L0002669	6	KNURLED BOLTS	
3	L0002786	1	OIL SEAL	
4	L0003043	8	HEX BOLT	
5	L0003073	12	STANDARD SPRING WASHER	
6	L0002882	1	END BIG COVER	
7	L0003028	1	DEEP GROOVE BALL BEARINGS	
8	L0002922	1	TERMINAL GEARS	
9	L0002578	1	WIRE RING	
10	L0002634	1	LOCATING RING	
11	L0003024	1	DEEP GROOVE BALL BEARINGS	
12	L0002461	1	ADJUST THE PAD	
13	L0002529	1	ADJUST THE PAD	
14	L0003056	4	TYPE 1 HEXAGON NUT	
15	L0003069	4	STUD STUDS	
16	L0002451	1	ADJUST THE PAD	
17	L0003022	2	ROUND PIN	
18	L0004251	1	PLUG PLUG	
19	L0004252	1	WASHER	





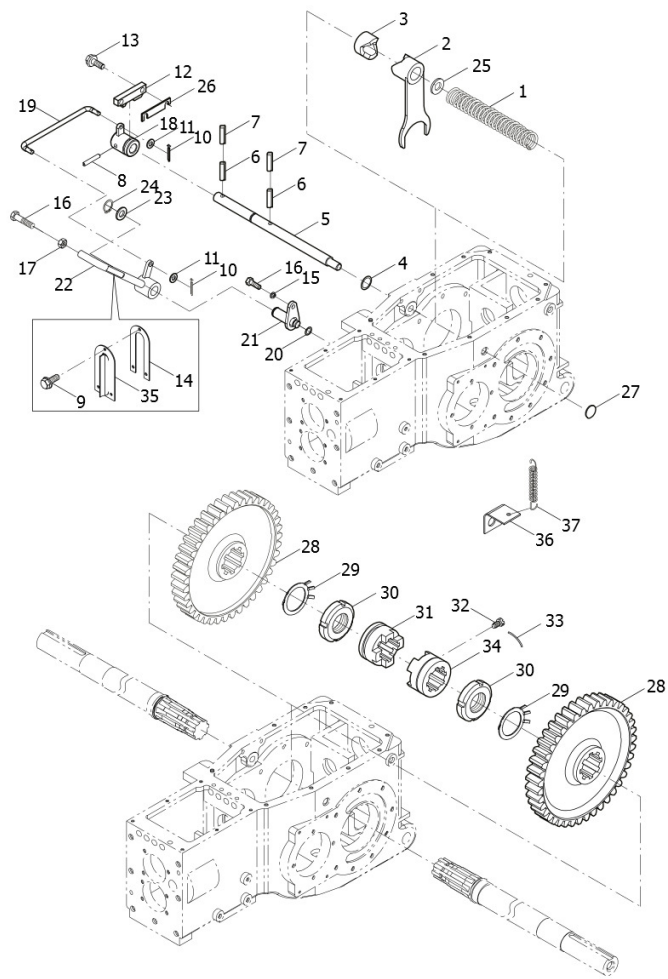
<b>POS</b>	<b>COD</b>	<b>Q.TÀ</b>	<b>DESCRIZIONE</b>	<b>ASSEMBLY NUMBER RANGE</b>
1	L0003934	1	BRACKET BONDING	
2	L0003101	4	ROUND PIN	
3	L0003933	1	HALF FRAME WELDING	
4	L0003119	4	HEX BOLT WITH FLANGE	
5	L0003116	20	HEX BOLT WITH FLANGE	





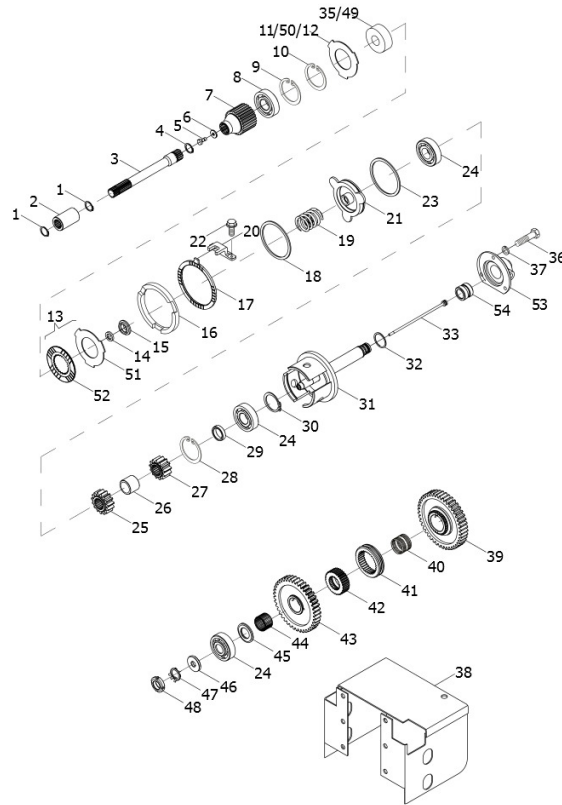
POS	COD	Q.TÀ	DESCRIZIONE	ASSEMBLY NUMBER RANGE
1	L0003243	8	OUTPUT SHAFT	
2	L0003505	8	STANDARD SPRING WASHER	
3	L0004192	1	RIGHT SHORT HALF SHAFT ASSEMBLY	
4	L0002360	1	ADJUSTING SHIM	
5	L0002389	1	ADJUSTING SHIM	
6	L0002390	1	ADJUSTING SHIM	
7	L0001669	1	DIFFERENZIALE COMPLESSO	
8	L0004189	1	LEFT SHORT HALF SHAFT ASSEMBLY	
9	L0003195	1	O RING	
10	L0004191	1	FINAL DRIVE PINION	
11	L0003453	1	CIRCLIP FOR HOLE	
12	L0003163	1	DEEP GROOVE BALL BEARING	
13	L0004193	1	RIGHT BEARING SEAT	
14	L0003188	1	O RING	
15	L0003177	2	TAPERED ROLLER BEARING	
16	L0002933	1	DRIVEN SPIRAL BEVEL GEAR	
17	L0002122	3	RONDELLA STANDARD	
18	L0000250	3	VITE DI FISSAGGIO	
19	L0002901	1	DIFFERENTIAL CASE	
20	L0000252	1	SEMIASSE RONDELLA ALBERO	
21	L0000251	2	SEMIASSE ALBERO	
22	L0002670	2	SHORT PLANET GEAR SHAFT	
23	L0000248	4	INGRANAGGIO PLANETARIO RONDELLA	
24	L0000249	4	INGRANAGGIO PLANETARIO	
25	L0002847	1	CENTRAL RING	
26	L0000247	1	INGRANAGGIO PLANETARIO ALBERO	
27	L0002892	1	DIFFERENTIAL GLAND	
28	L0002655	5	LOCK SHEET	
29	L0003283	10	HEX BOLT	
30	L0002979	1	HALF SHAFT GEAR GASKET	
31	L0002980	1	HALF SHAFT GEAR GASKET	
32	L0002981	1	HALF SHAFT GEAR GASKET	
33	L0002982	1	HALF SHAFT GEAR GASKET	
34	L0002983	1	HALF SHAFT GEAR GASKET	
35	L0003188	1	O RING	
36	L0004191	1	FINAL DRIVE PINION	
37	L0003195	1	O RING	
38	L0004190	1	LEFT BEARING SEAT	
39	L0003163	1	DEEP GROOVE BALL BEARING	
40	L0003453	1	CIRCLIP FOR HOLE	







POS	COD	Q.TÀ	DESCRIZIONE	ASSEMBLY NUMBER RANGE
1	L0000259	1	MOLLA BLOCCO DIFFERENZIALE	
2	L0003954	1	DIFFERENTIAL LOCK FORK	
3	L0001429	1	ASTA BLOCCAGGIO DIFFERENZIALE	
4	L0003197	1	O RING	
5	L0003955	1	DIFFERENTIAL LOCK FORK SHAFT	
6	L0003430	1	ELASTIC CYLINDRICAL PIN	
7	L0003423	1	ELASTIC CYLINDRICAL PIN	
8	L0002474	1	ROLLING ELASTIC CYLINDRICAL PIN	
9	L0003123	3	HEXAGON FLANGE NUT	
10	L0003493	2	SPLIT PIN	
11	L0003551	2	FLAT WASHER	
12	L0002845	1	BAFFLE	
13	L0003108	2	HEXAGON FLANGE NUT	
14	L0004267	1	SEALING SLEEVE PLATE	
15	L0002122	1	RONDELLA STANDARD	
16	L0003274	2	HEXAGON HEAD BOLT	
17	L0003336	2	HEXAGON THIN NUT	
18	L0002709	1	DIFFERENTIAL LOCK FORK SHAFT HUB WELDING	
19	L0002730	1	DIFFERENTIAL LOCK LEVER	
20	L0003190	1	O RING	
21	L0002788	1	DIFFERENTIAL LOCK HUB SUPPORTING SHAFT WELDING	
22	L0004265	1	DIFFERENTIAL LOCK PEDAL ROD WELDING	
23	L0003543	1	FLAT WASHER	
24	L0003456	1	CIRCLIP FOR SHAFT	
25	L0003540	1	FLAT WASHER	
26	L0003889	1	ADJUSTING SHIM	
27	L0002411	1	PLUG PIECE	
28	L0002953	2	FINAL DRIVE DRIVEN GEAR	
29	L0003409	2	STOP WASHER FOR ROUND NUT	
30	L0003374	2	ROUND NUT	
31	L0001671	1	MANICOTTO DX D'INNESTO	
32	L0000260	1	DADO DI BLOCCAGGIO	
33	L0002368	1	LOW CARBON STEEL WIRE SZ-1.2	
34	L0001670	1	MANICOTTO SX D'INNESTO	
35	L0004266	1	SEALING SLEEVE	
36	L0001426	1	MOLLA RICHIAMO PEDALE	
37	L0003953	1	SPRING SUPPORT	



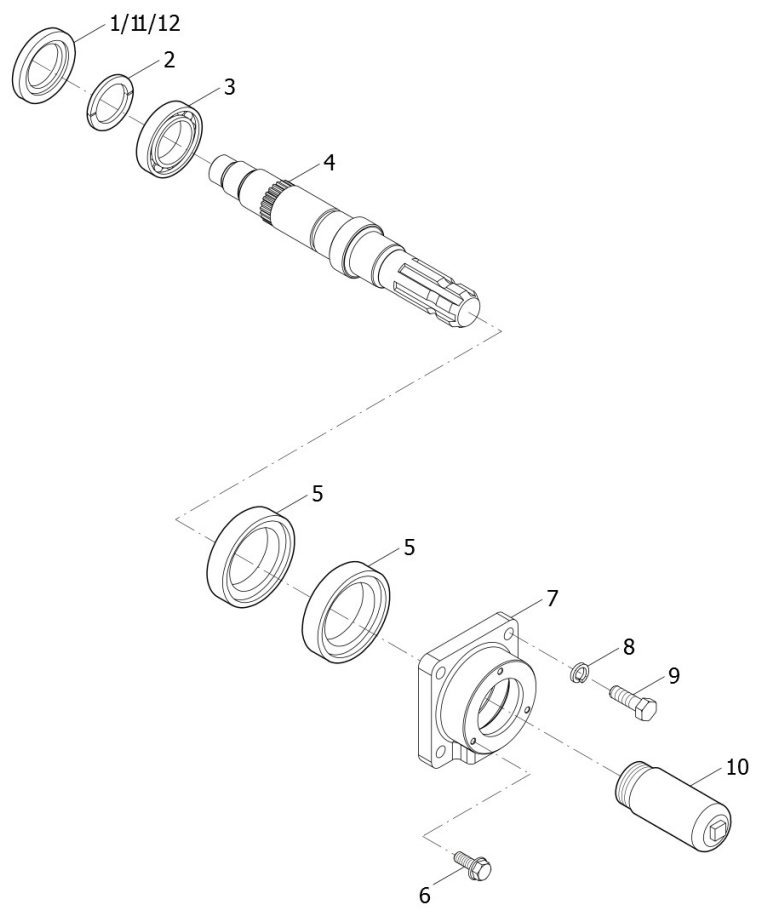


POS	COD	Q.TÀ	DESCRIZIONE	ASSEMBLY NUMBER RANGE
1	L0003458	2	CIRCLIP FOR SHAFT	
2	L0004025	1	CONNECTING SLEEVE	
3	L0004004	1	POWER OUTPUT DRIVE SHAFT	
4	L0003461	1	CIRCLIP FOR SHAFT	
5	L0004018	1	BOLT M8X18	
6	L0004013	1	GASKET 9.5X22X3	
7	L0004007	1	TRANSPORT BY CARTS	
8	L0003148	1	DEEP GROOVE BALL BEARING	
9	L0003449	1	CIRCLIPS FOR HOLE	
10	L0003446	1	CIRCLIP FOR HOLE	
11	L0004010	1	CLUTCH DRIVEN BAFFLE	
12	L0004029	1	CLUTCH DRIVEN BAFFLE	
13	L0004028	1	FRICTION PLATE SEPARATOR ASSEMBLY	
14	L0004011	1	RETAINING RING 15X25X4	
15	L0004012	1	PRESSURE RING	
16	L0004015	1	BRAKE PRESSURE PLATE	
17	L0004009	1	BRAKE FRICTION DISC ASSEMBLY	
18	L0004021	1	KZK PISTON ROTARY SEAL 10004	
19	L0004014	1	SPRING	
20	L0004019	1	BRAKE SEAT	
21	L0004008	1	PISTON	
22	L0003134	2	HEXAGON FLANGE BOLT	
23	L0004022	1	KZK PISTON ROTARY SEAL 02202	
24	L0003161	3	DEEP GROOVE BALL BEARING	
25	L0004024	1	HIGH GRADE DRIVE GEAR WITH POWER OUTPUT	
26	L0001681	1	BOCCOLA DISTANZIATRICE	
27	L0001682	1	INGRANAGGIO TRASMISSIONE	
28	L0003452	1	CIRCLIP FOR HOLE	
29	L0004006	1	BACK SLEEVE	
30	L0003462	1	CIRCLIP FOR SHAFT	
31	L0004020	1	PTO SHAFT	
32	L0004026	2	SEALING RING (24.95X2.26)	
33	L0004005	1	THE LUBRICATING OIL PIPE WELDING	
34	L0004001	1	DRIVING SHAFT END COVER ASSEMBLY	
35	L0004216	15	RUBBER PAD	
36	L0003274	3	HEXAGON HEAD BOLT	
37	L0002122	3	RONDELLA STANDARD	
38	L0004023	1	THE POWER OUTPUT OF SHIELD WELDING	
39	L0001684	1	INGRANAGGIO CONDOTTO	
40	L0001685	1	CUSCINETTO	



<b>POS</b>	<b>COD</b>	<b>Q.TÀ</b>	<b>DESCRIZIONE</b>	<b>ASSEMBLY NUMBER RANGE</b>
41	L0002819	1	POWER OUTPUT ENGAGEMENT SLEEVE	
42	L0000456	1	INGRANAGGIO SEDILE	
43	L0001686	1	INGRANAGGIO CONDOTTO	
44	L0002622	1	RADIAL NEEDLE AND CAGE ASSEMBLIES	
45	L0002581	1	FRONT GEAR RING OF OUTPUT SHAFT	
46	L0002391	1	WASHER	
47	L0003406	1	THRUST WASHER FOR ROUND NUT	
48	L0003371	1	ROUND NUT	
49	L0004027	3	RUBBER PAD	
50	L0004030	1	CLUTCH DRIVEN BAFFLE	
51	L0004017	6	INTERMEDIATE PLATE	
52	L0004016	6	FRICTION DISC ASSEMBLY	
53	L0004002	1	DRIVING SHAFT END COVER	
54	L0004003	1	DRIVE SHAFT BUSHING 25X37X30	

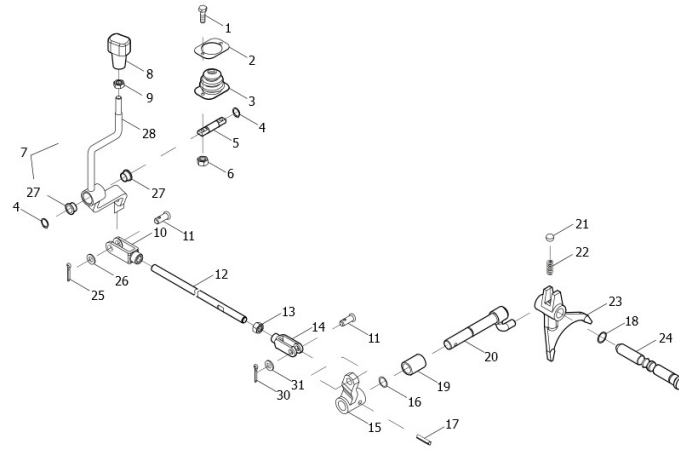






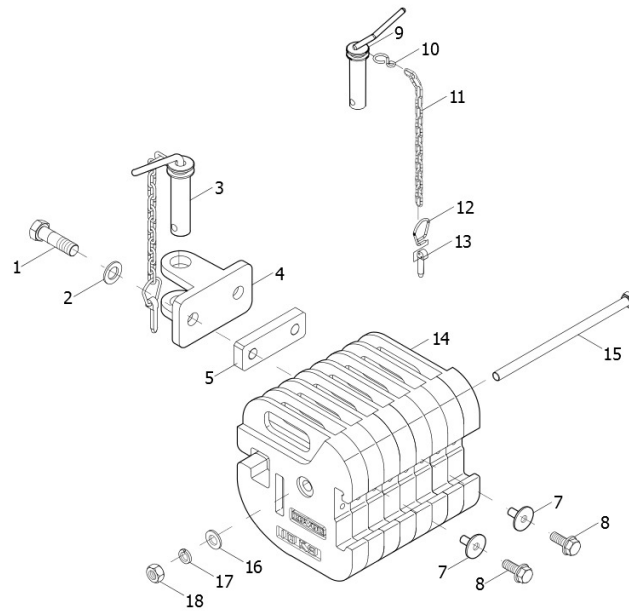
POS	COD	Q.TÀ	DESCRIZIONE	ASSEMBLY NUMBER RANGE
1	L0002625	1	THRUST RING RETAINER	
2	L0002587	1	THRUST RING	
3	L0003164	1	DEEP GROOVE BALL BEARING	
4	L0003998	1	POWER OUTPUT SHAFT	
5	L0002481	2	LIP-SHAPE SEAL RING	
6	L0003122	3	HEXAGON FLANGE BOLT	
7	L0003999	1	REAR END COVER I	
8	L0003505	4	STANDARD SPRING WASHER	
9	L0003243	4	OUTPUT SHAFT	
10	L0004000	1	POWER OUTPUT SPINDLE HEAD SHIELD	
11	L0002656	1	THRUST RING RETAINER	
12	L0002653	1	THRUST RING RETAINER	





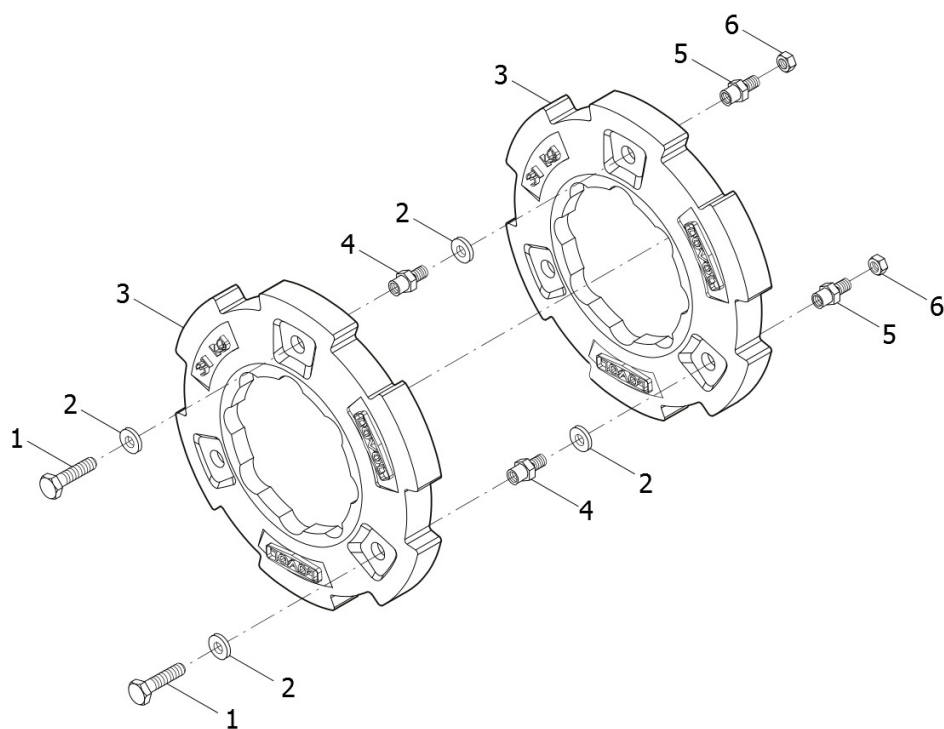


POS	COD	Q.TÀ	DESCRIZIONE	ASSEMBLY NUMBER RANGE
1	L0003276	2	HEXAGON BOLT	
2	L0002555	1	TABLET	
3	L0002701	1	A DUST COVER	
4	L0003455	2	CIRCLIP FOR SHAFT	
5	L0001462	1	LEVA DI FISSAGGIO	
6	L0003320	2	HEXAGON NUT, TYPE-1	
7	L0004288	1	CONTROL ROD PRESSING	
8	L0004032	1	POWER OUTPUT SHIFT HANDLE	
9	L0003307	1	HEXAGON NUT, TYPE-1	
10	L0000646	1	FORCELLA SX TIRANTE	
11	L0002357	2	PIN SHAFT	
12	L0004286	1	INTERMEDIATE TIE ROD	
13	L0003334	1	HEXAGONAL NUTS	
14	L0000645	1	FORCELLA DX TIRANTE	
15	L0004287	1	ROCKER ARM WELDING	
16	L0003190	1	O RING	
17	L0003586	1	ROLLING ELASTIC CYLINDRICAL PIN	
18	L0003193	1	O RING	
19	L0002607	1	SLEEVE	
20	L0002727	1	POWER OUTPUT SHIFT LEVER ASSEMBLY	
21	L0003184	1	STEEL BALL	
22	L0002420	1	LOCK SPRING OF FORK SHAFT	
23	L0001688	1	FORCELLA	
24	L0004031	1	POWER OUTPUT SHIFT FORK SHAFT	
25	L0003494	2	SPLIT PIN	
26	L0003534	2	FLAT WASHER	
27	L0003892	2	NYLON JACKET	
28	L0004289	1	CONTROL ROD WELDING	



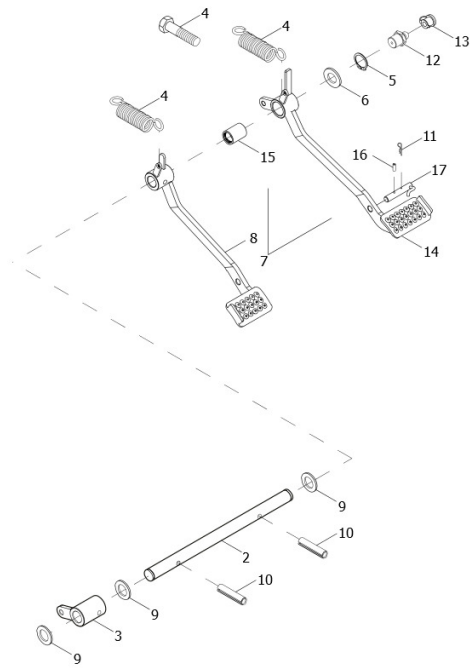


<b>POS</b>	<b>COD</b>	<b>Q.TÀ</b>	<b>DESCRIZIONE</b>	<b>ASSEMBLY NUMBER RANGE</b>
1	L0002183	2	Traction bolt	
2	L0003543	2	FLAT WASHER	
3	L0002175	1	PERNO FISSAGGIO ZAVORRE L0001925-L0001842	
4	L0002184	1	Traction ear	
5	L0003900	1	TRACTION PLATE	
6	L0004163	1	SMALL FRONT WEIGHT ASSEMBLY	
7	L0002068	2	PIASTRA FISSAGGIO ZAVORRE	
8	L0003111	2	HEX BOLT WITH FLANGE	
9	L0002830	1	TRACTION PIN WELDING	
10	L0003598	1	CONNECTION RING	
11	L0003013	8	SMALL CHAIN RING	
12	L0002434	1	LOCK PIN RING	
13	L0002479	1	LOCK PIN	
14	L0004164	8	CLUMP WEIGHT	
15	L0002760	1	CONNECTING BOLT	
16	L0003539	1	FLAT WASHER	
17	L0003509	1	STANDARD SPRING WASHER	
18	L0003313	1	HEXAGON NUT, TYPE-1	





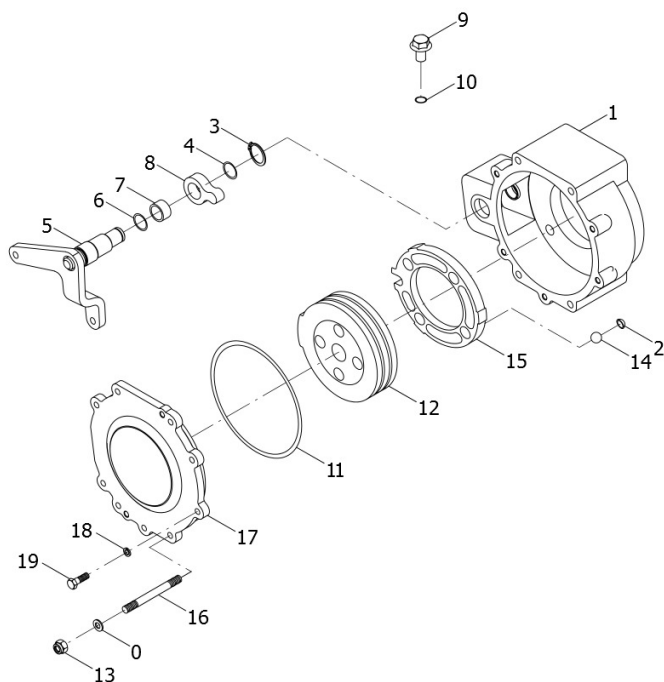
<b>POS</b>	<b>COD</b>	<b>Q.TÀ</b>	<b>DESCRIZIONE</b>	<b>ASSEMBLY NUMBER RANGE</b>
1	L0002630	3	BOLT	
2	L0002509	6	WASHER	
3	L0004172	2	POST WEIGHT	
4	L0002586	3	WEIGHT SCREW	
5	L0002585	3	WEIGHT SCREW	
6	L0003328	3	HEXAGON NUT, TYPE-1	





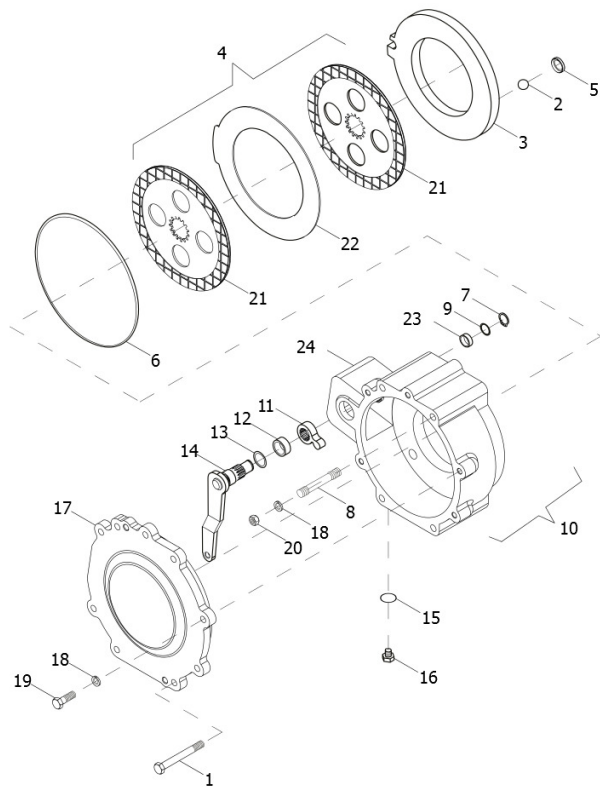
POS	COD	Q.TÀ	DESCRIZIONE	ASSEMBLY NUMBER RANGE
1	L0003246	2	FULL THREAD OF SIX HEAD BOLT	
2	L0004302	1	BRAKE SHAFT	
3	L0004301	1	LEFT ARM WELDING	
4	L0001363	2	MOLLA DI RITORNO PEDALE FRIZIONE	
5	L0003459	1	CIRCLIP FOR SHAFT	
6	L0003544	1	FLAT WASHER	
7	L0004305	1	RIGHT BRAKE PEDAL ASSEMBLY	
8	L0004051	1	THE LEFT BRAKE PEDAL WELDING	
9	L0002441	3	WASHER	
10	L0003585	2	ROLLING ELASTIC CYLINDRICAL PIN	
11	L0000644	1	PERNO BLOCCAGGIO	
12	L0003571	2	STRAIGHT FORCED FILLING OIL CUP	
13	L0002354	2	DUSTPROOF CAP OF OIL CUP	
14	L0004304	1	RIGHT BRAKE PEDAL WELDING	
15	L0004308	1	RIGHT BRAKE PEDAL BUSHING	
16	L0003418	1	ELASTIC CYLINDRICAL PIN	
17	L0003893	1	WELDING ROD INTERLOCK	





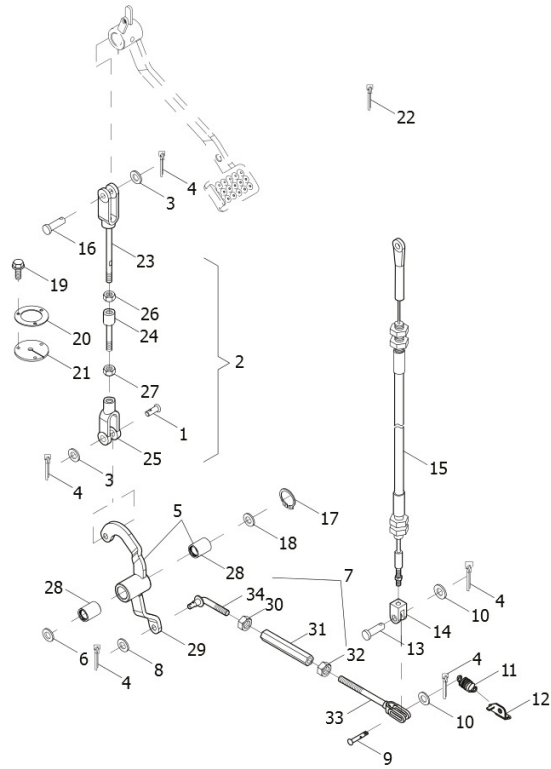


POS	COD	Q.TÀ	DESCRIZIONE	ASSEMBLY NUMBER RANGE
1	L0004295	1	LEFT BRAKE HOUSING ASSEMBLY	
2	L0004294	4	PLUG	
3	L0003455	1	CIRCLIP FOR SHAFT	
4	L0000725	1	ANELLO TENUTA	
5	L0004034	1	LEFT ARM WELDING	
6	L0003200	1	RUBBER O-SEAL RING	
7	L0002444	1	SPACER BUSH	
8	L0004297	1	DIAL BLOCK	
9	L0004196	1	PLUG	
10	L0004601	1	O RING 9.3X2.2-M12X1.5	
11	L0003198	1	O RING	
12	L0002856	1	FRICTION PLATE SEPARATOR ASSEMBLY	
13	L0003341	4	2 TYPE SIX ANGLE NUT	
14	L0003183	4	STEEL BALL	
15	L0002925	1	LEFT BRAKE PRESSURE PLATE	
16	L0004293	4	STUD	
17	L0004296	1	LEFT GLAND	
18	L0002122	9	RONDELLA STANDARD	
19	L0003275	5	HEXAGON BOLT	



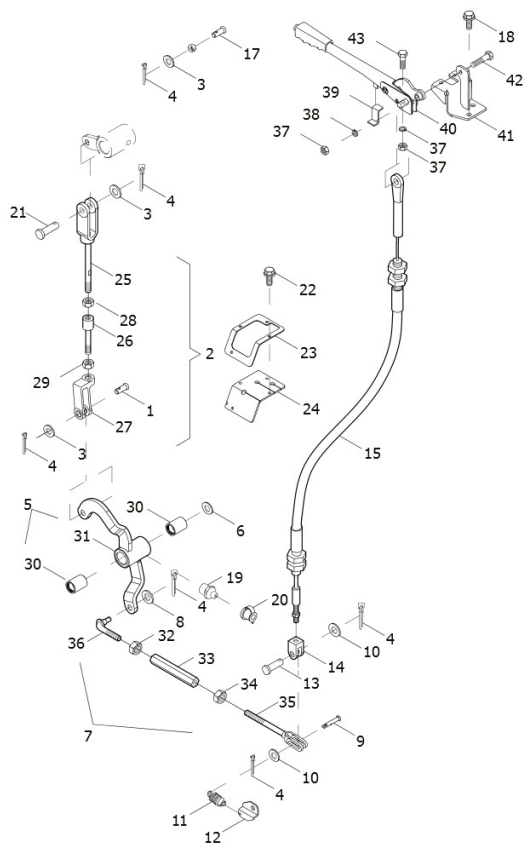


POS	COD	Q.TÀ	DESCRIZIONE	ASSEMBLY NUMBER RANGE
1	L0004195	1	BOLT M8X110	
2	L0003183	4	STEEL BALL	
3	L0002926	1	RIGHT BRAKE PRESSURE PLATE	
4	L0002856	1	FRICTION PLATE SEPARATOR ASSEMBLY	
5	L0004294	4	PLUG	
6	L0003198	1	O RING	
7	L0003455	1	CIRCLIP FOR SHAFT	
8	L0004293	3	STUD	
9	L0000725	1	ANELLO TENUTA	
10	L0004036	1	RIGHT BRAKE HOUSING ASSEMBLY	
11	L0004297	1	DIAL BLOCK	
12	L0002444	1	SPACER BUSH	
13	L0003200	1	RUBBER O-SEAL RING	
14	L0004035	1	RIGHT ARM WELDING	
15	L0004601	1	O RING 9.3X2.2-M12X1.5	
16	L0004196	1	PLUG	
17	L0004038	1	RIGHT GLAND	
18	L0002122	9	RONDELLA STANDARD	
19	L0003275	5	HEXAGON BOLT	
20	L0003341	3	2 TYPE SIX ANGLE NUT	
21	L0002821	3	BRAKE FRICTION DISC ASSEMBLY	
22	L0004194	3	A PARTITION	
23	L0002538	1	CRANK SHAFT BUSHING	
24	L0004037	1	RIGHT BRAKE HOUSING	





POS	COD	Q.TÀ	DESCRIZIONE	ASSEMBLY NUMBER RANGE
1	L0002357	2	PIN SHAFT	
2	L0004309	1	BRAKE UPPER PULL ROD ASSEMBLY (LEFT)	
3	L0003534	7	FLAT WASHER	
4	L0002336	9	SPLIT PIN	
5	L0004045	1	RIGHT LOWER ROCKER ARM ASSEMBLY	
6	L0004315	2	SHIM	
7	L0004039	2	BRAKE ROD ASSEMBLY	
8	L0003536	2	FLAT WASHER	
9	L0004298	2	CONNECTING PIN	
10	L0003551	4	FLAT WASHER	
11	L0002487	2	CRANK RETURN SPRING	
12	L0004300	1	RIGHT BACK SPRING FIXED PLATE	
13	L0003443	2	PIN SHAFT	
14	L0001471	2	FORCELLA	
15	L0004044	1	RIGHT BRAKE CABLE ASSEMBLY	
16	L0003434	2	PIN SHAFT	
17	L0003456	1	CIRCLIP FOR SHAFT	
18	L0003543	1	FLAT WASHER	
19	L0003123	7	HEXAGON FLANGE NUT	
20	L0004312	1	GASKET ONE	
21	L0004311	1	PLATEN 1	
22	L0003491	2	SPLIT PIN	
23	L0004243	1	THE CLUTCH ON THE WELDING ROD	
24	L0004307	1	BRAKE SHORT ROD WELDING	
25	L0000470	1	FORCELLA POSTERIORE SOSPENSIONE	
26	L0003323	1	HEXAGON NUT, TYPE-1	
27	L0002355	1	HEXAGON NUT TYPE-1	
28	L0004303	2	BUSHING	
29	L0004046	1	THE LOWER RIGHT ARM WELDING	
30	L0003325	1	HEXAGON NUT, TYPE-1	
31	L0001755	1	BIELLA	
32	L0003324	1	HEXAGON NUT, TYPE-1	
33	L0004047	1	THE BRAKE ROD LENGTH OF WELDING	
34	L0001758	1	TIRANTE DX	





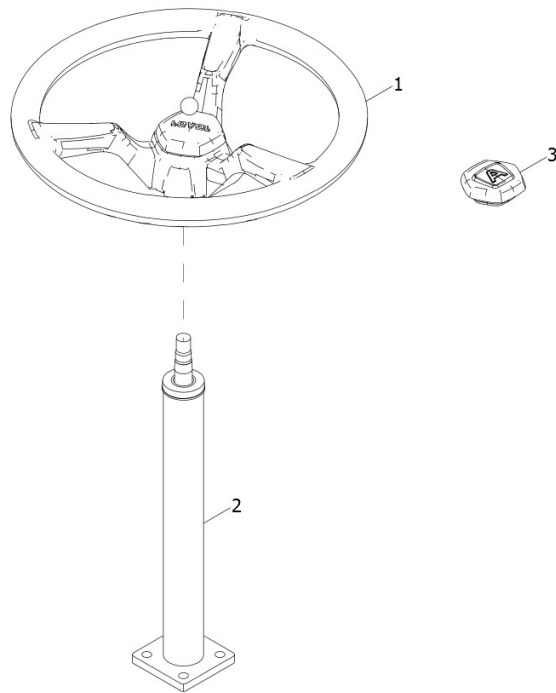
POS	COD	Q.TÀ	DESCRIZIONE	ASSEMBLY NUMBER RANGE
1	L0002357	2	PIN SHAFT	
2	L0004310	1	BRAKE UPPER PULL ROD ASSEMBLY (RIGHT)	
3	L0003534	7	FLAT WASHER	
4	L0002336	9	SPLIT PIN	
5	L0004049	1	LEFT LOWER ROCKER ARM ASSEMBLY	
6	L0004315	2	SHIM	
7	L0004039	2	BRAKE ROD ASSEMBLY	
8	L0003536	2	FLAT WASHER	
9	L0004298	2	CONNECTING PIN	
10	L0003551	4	FLAT WASHER	
11	L0002487	2	CRANK RETURN SPRING	
12	L0004299	1	THE RETURN SPRING FIXING PLATE	
13	L0003443	2	PIN SHAFT	
14	L0001471	2	FORCELLA	
15	L0004043	1	LEFT BRAKE CABLE ASSEMBLY	
16	L0004040	1	THE HAND BRAKE HANDLE ASSEMBLY	
17	L0003437	1	PIN SHAFT	
18	L0003106	2	HEXAGON FLANGE BOLT	
19	L0003571	2	STRAIGHT FORCED FILLING OIL CUP	
20	L0002354	2	DUSTPROOF CAP OF OIL CUP	
21	L0003434	2	PIN SHAFT	
22	L0003123	7	HEXAGON FLANGE NUT	
23	L0004314	1	GASKET TWO	
24	L0004313	1	PLATEN TWO	
25	L0004243	1	THE CLUTCH ON THE WELDING ROD	
26	L0004307	1	BRAKE SHORT ROD WELDING	
27	L0004306	1	ECCENTRIC ROD FORK	
28	L0003323	1	HEXAGON NUT, TYPE-1	
29	L0002355	1	HEXAGON NUT TYPE-1	
30	L0004303	1	BUSHING	
31	L0004050	1	THE LOWER LEFT ARM WELDING	
32	L0003325	1	HEXAGON NUT, TYPE-1	
33	L0001755	1	BIELLA	
34	L0003324	1	HEXAGON NUT, TYPE-1	
35	L0004047	1	THE BRAKE ROD LENGTH OF WELDING	
36	L0001758	1	TIRANTE DX	
37	L0003320	3	HEXAGON NUT, TYPE-1	
38	L0002122	3	RONDELLA STANDARD	
39	L0004042	1	SUPPORT	
40	L0004041	1	THE HAND BRAKE HANDLE	





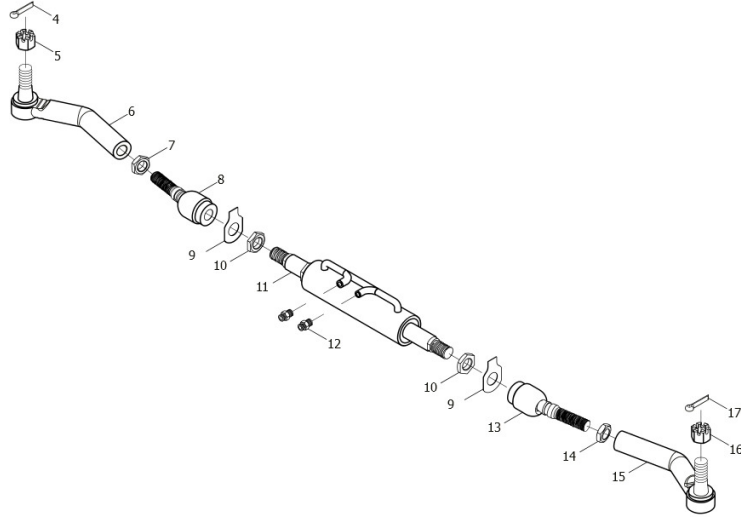
<b>POS</b>	<b>COD</b>	<b>Q.TÀ</b>	<b>DESCRIZIONE</b>	<b>ASSEMBLY NUMBER RANGE</b>
41	L0004048	1	HANDBRAKE BEARING WELDING	
42	L0003277	1	HEXAGON HEAD BOLT	
43	L0003276	2	HEXAGON BOLT	





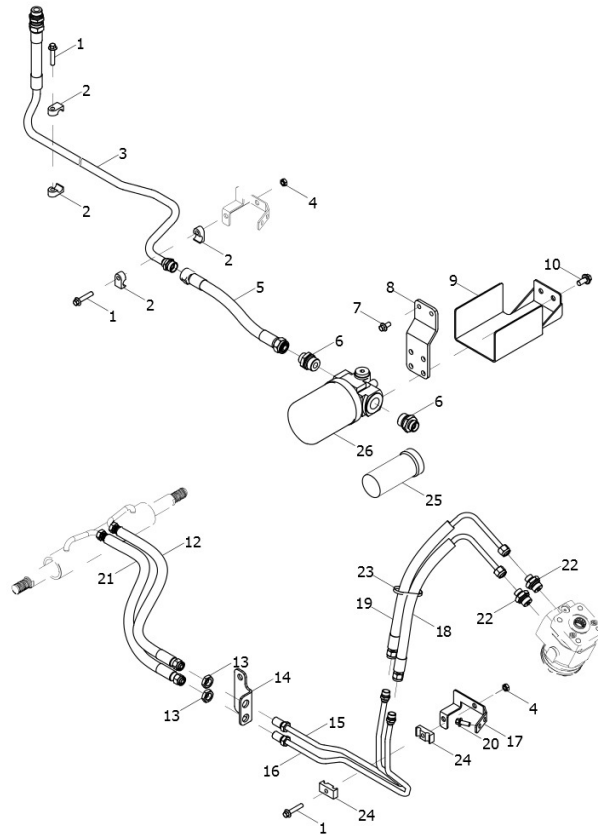


<b>POS</b>	<b>COD</b>	<b>Q.TÀ</b>	<b>DESCRIZIONE</b>	<b>ASSEMBLY NUMBER RANGE</b>
1	L0004615	1	STEERING WHEEL ASSEMBLY	
2	L0003964	1	STEERING COLUMN ASSEMBLY	
3	L0004614	1	STEERING WHEEL COVER ASSEMBLY	





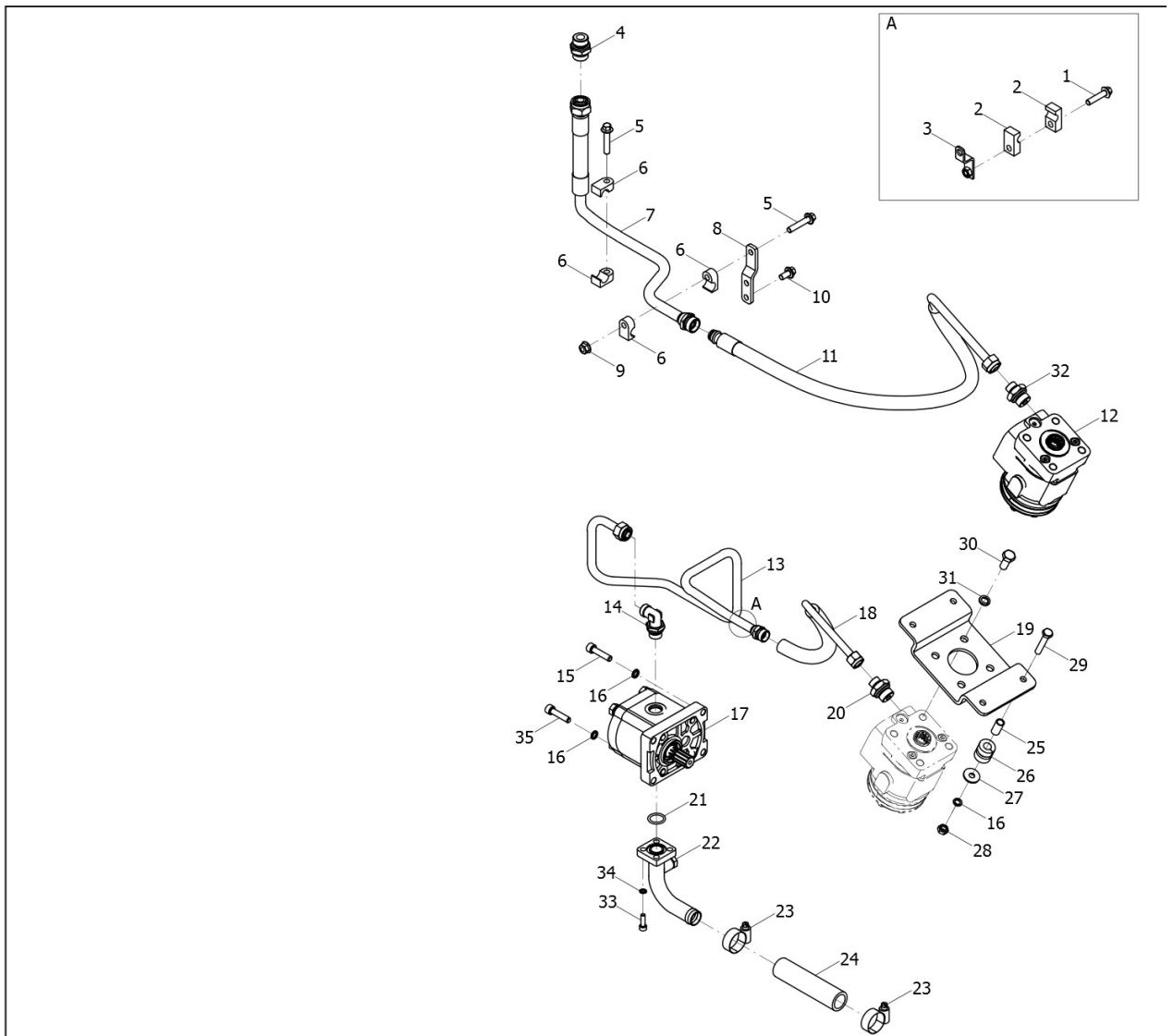
POS	COD	Q.TÀ	DESCRIZIONE	ASSEMBLY NUMBER RANGE
1	L0002918	1	LEFT TURN CABLE ASSEMBLY	
2	L0002956	1	HYDRAULIC CYLINDER ASSEMBLY	
3	L0002919	1	RIGHT TURN TO THE TIE ROD ASSEMBLY	
4	L0003072	1	COTTER PIN	
5	L0003079	1	TYPE 2 HEXAGONAL SLOTTED NUT	
6	L0004257	1	LEFT ROCKER JOINT ASSEMBLY	
7	L0003057	1	HEXAGONAL NUTS	
8	L0004256	1	CYLINDER CONNECTOR ASSEMBLY	
9	L0003063	2	SINGLE EAR STOP WASHER	
10	L0004255	2	FASTEN THE SCREW NUT	
11	L0004254	1	HYDRAULIC CYLINDER	
12	L0004260	2	FITTINGS	
13	L0004256	1	CYLINDER CONNECTOR ASSEMBLY	
14	L0003057	1	HEXAGONAL NUTS	
15	L0004258	1	RIGHT ROCKER JOINT ASSEMBLY	
16	L0003079	1	TYPE 2 HEXAGONAL SLOTTED NUT	
17	L0003072	1	COTTER PIN	





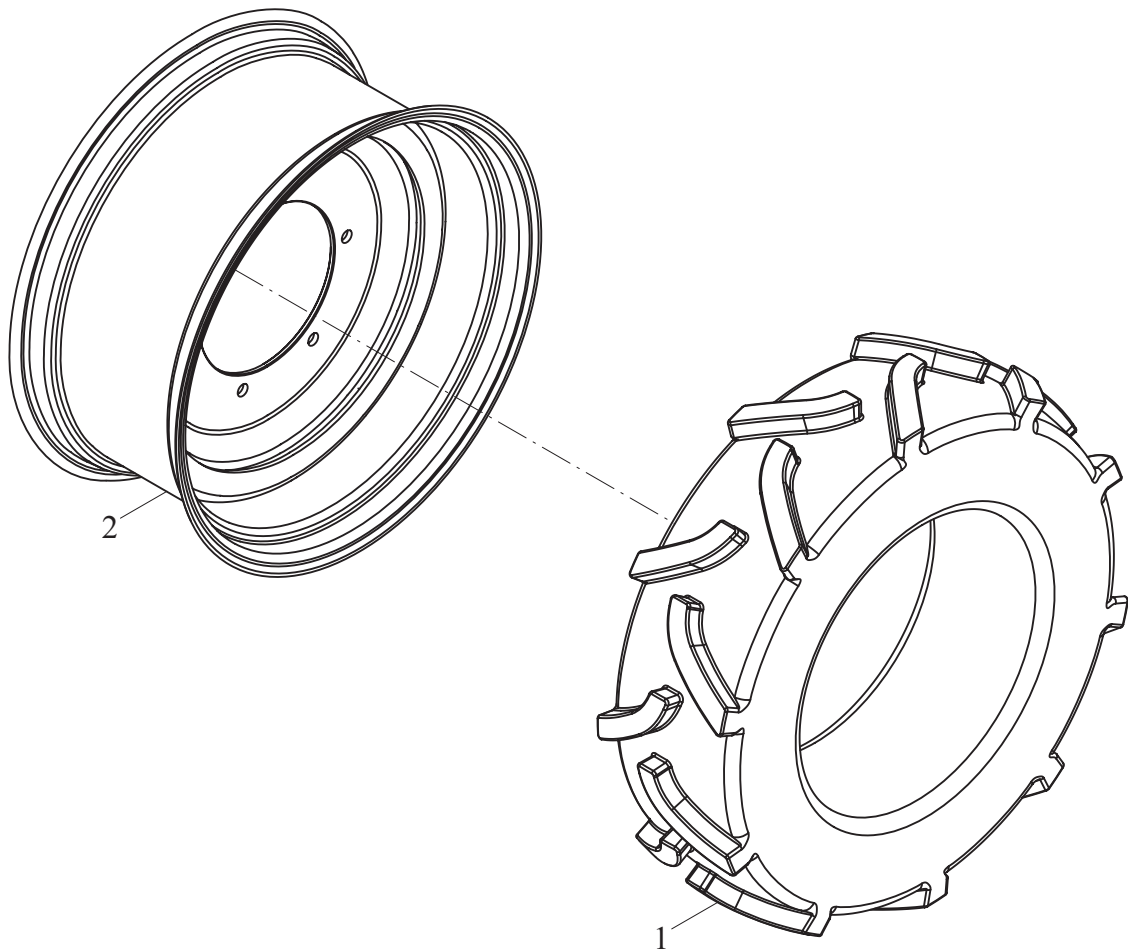
POS	COD	Q.TÀ	DESCRIZIONE	ASSEMBLY NUMBER RANGE
1	L0003137	5	HEXAGON FLANGE BOLT	
2	L0002426	8	SINGLE HOLE PIPE CLAMP (1)	
3	L0003989	1	RADIATOR HOSE ASSEMBLY	
4	L0003320	4	HEXAGON NUT, TYPE-1	
5	L0003971	1	FILTER INTO OIL HOSE ASSEMBLY	
6	L0004616	2	JOINT ASSEMBLY M27X2-15	
7	L0003131	4	HEXAGON FLANGE NUT	
8	L0003972	1	FILTER SUPPORT	
9	L0003977	1	FILTER COVER WELDING	
10	L0003105	6	HEXAGON FLANGE NUT	
11	L0003654	1	FILTER ASSEMBLY	
12	L0003984	1	HIGH PRESSURE OIL PIPELINE ASSEMBLY	
13	L0002388	2	HEXAGON THIN NUT	
14	L0004280	1	OIL PIPE SUPPORT 1	
15	L0003982	1	LEFT OUT TUBING ASSEMBLY OF THE STEERING GEAR	
16	L0003981	1	RIGHT OUT TUBING ASSEMBLY OF THE STEERING GEAR	
17	L0003983	1	PIPE BRACKET 1	
18	L0003988	1	STEERING GEAR OUT OF OIL HOSE ASSEMBLY 2	
19	L0003986	1	OIL HOSE ASSEMBLY OF STEERING GEAR	
20	L0003133	2	HEXAGON FLANGE BOLT	
21	L0002812	1	HIGH PRESSURE OIL PIPELINE ASSEMBLY 2	
22	L0002678	3	END DIRECT CONNECTION BODY ASSEMBLY M20-16	
23	L0003579	2	PLASTIC FASTENING STRIP	
24	L0002383	2	DOUBLE TUBE CLIP	
25	L0003655	1	FILTER ELEMENT	
26	L0003656	1	FILTER SEAT	







POS	COD	Q.TÀ	DESCRIZIONE	ASSEMBLY NUMBER RANGE
1	L0003136	1	HEX BOLT WITH FLANGE	
2	L0002398	2	SINGLE HOLE PIPE CLAMP	
3	L0003980	1	PIPE BRACKET	
4	L0004612	2	JOINT ASSEMBLY M22-15	
5	L0003137	5	HEXAGON FLANGE BOLT	
6	L0002426	8	SINGLE HOLE PIPE CLAMP (1)	
7	L0003978	1	RADIATOR INJECTION HOSE ASSEMBLY	
8	L0003975	1	OIL PIPE SUPPORT 2	
9	L0003348	1	HEXAGON FLANGE NUT	
10	L0003131	4	HEXAGON FLANGE NUT	
11	L0003985	1	STEERING OIL RETURN HOSE ASSEMBLY	
12	L0003976	1	HYDRAULIC STEERING GEAR ASSEMBLY	
13	L0003979	1	GEAR PUMP OUTLET PIPE ASSEMBLY	
14	L0002255	1	JOINT	
15	L0003366	2	HEXAGON SOCKET CAP HEAD SCREW	
16	L0002122	8	RONDELLA STANDARD	
17	L0003653	1	GEAR PUMP	
18	L0003987	1	STEERING GEAR OIL HOSE ASSEMBLY	
19	L0004275	1	STEERING BRACKET	
20	L0002678	3	END DIRECT CONNECTION BODY ASSEMBLY M20-16	
21	L0003200	1	RUBBER O-SEAL RING	
22	L0003965	1	GEAR PUMP SUCTION PIPE WELDING	
23	L0003580	2	B-TYPE WORM TRANSMISSION HOSE CLAMP	
24	L0000592	1	TUBO ASPIRAZIONE OLIO	
25	L0004276	4	SLEEVE	
26	L0004277	4	SHOCK PAD	
27	L0003532	4	BIG WASHER	
28	L0003320	4	HEXAGON NUT, TYPE-1	
29	L0003279	4	HEXAGON BOLT	
30	L0003240	4	BOLT	
31	L0003505	4	STANDARD SPRING WASHER	
32	L0003559	1	END STRAIGHT THREAD CONNECTOR BODY	
33	L0003357	4	INNER HEXAGON SCREW	
34	L0003515	4	STANDARD SPRING WASHER	
35	L0003367	2	INNER HEXAGON SCREW	

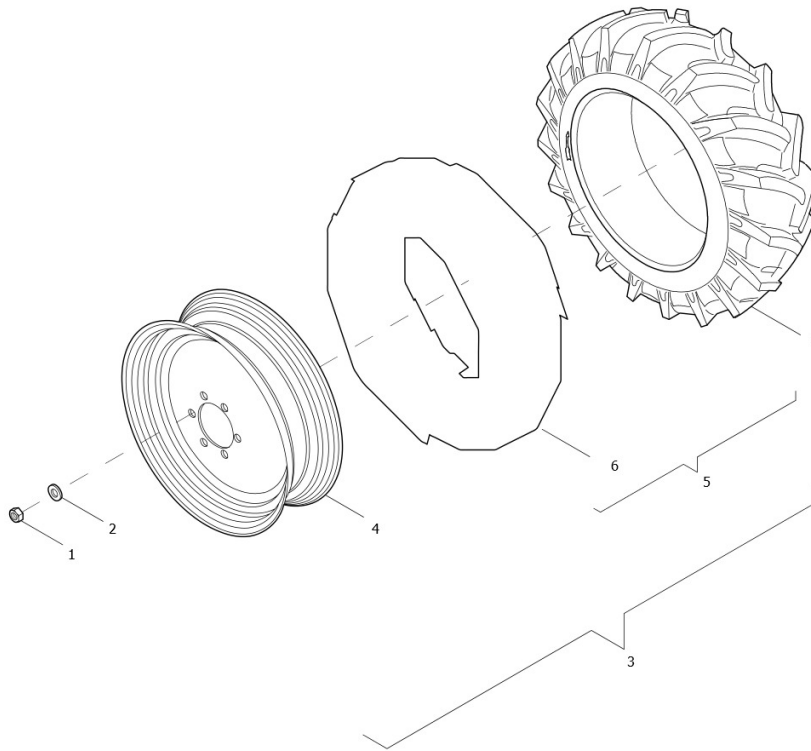




**ARBOS**

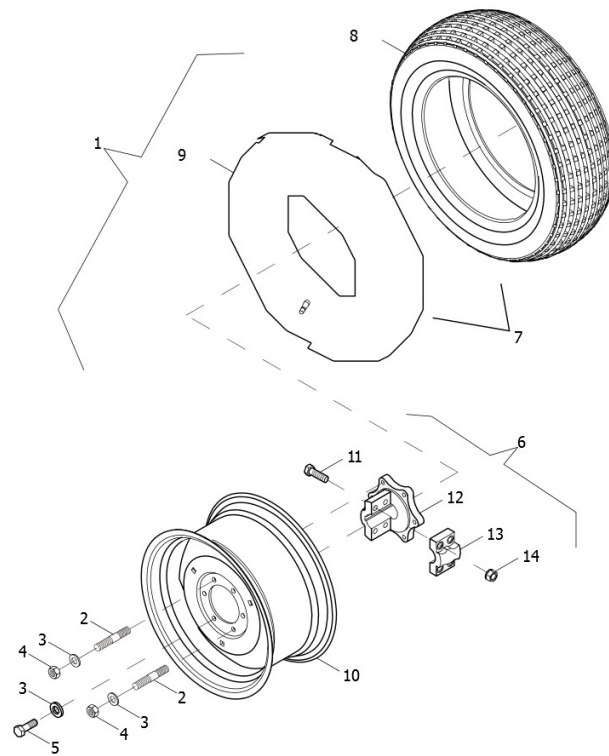
2025  
RUOTE ANTERIORI

POS	COD	Q.TÀ	DESCRIZIONE	ASSEMBLY NUMBER RANGE
1	L0003935	1	AGRICULTURAL RADIAL TIRE 240/70R16	
2	L0002951	1	RIM WELDING	





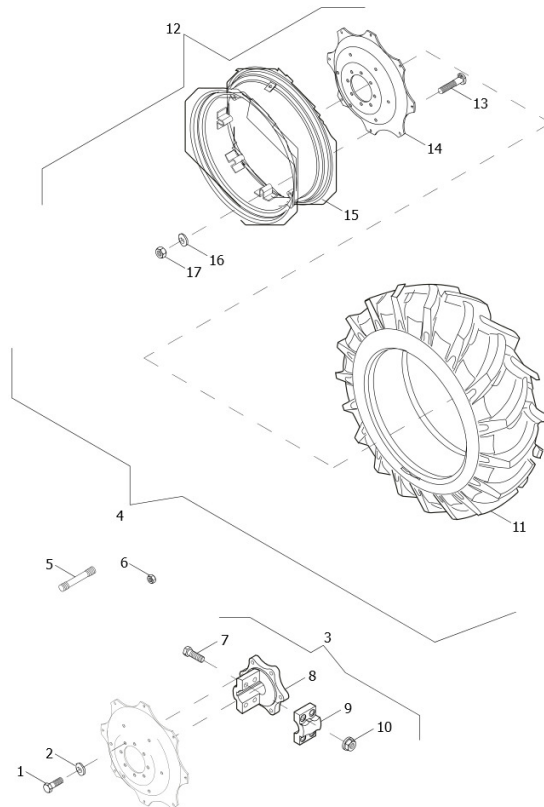
<b>POS</b>	<b>COD</b>	<b>Q.TÀ</b>	<b>DESCRIZIONE</b>	<b>ASSEMBLY NUMBER RANGE</b>
1	L0003339	6	HEXAGON NUT, TYPE-2	
2	L0002530	6	WASHER	
3	L0002989	1	FRONT WHEEL ASSEMBLY ASSEMBLY	
4	L0000326	1	DISCO	
5	L0002946	1	TYRE ASSEMBLY 26X7.5-12 HORTICULTURE	
6	L0003181	1	GRASS INNER TUBE	
7	L0003182	1	GRASS TIRES	





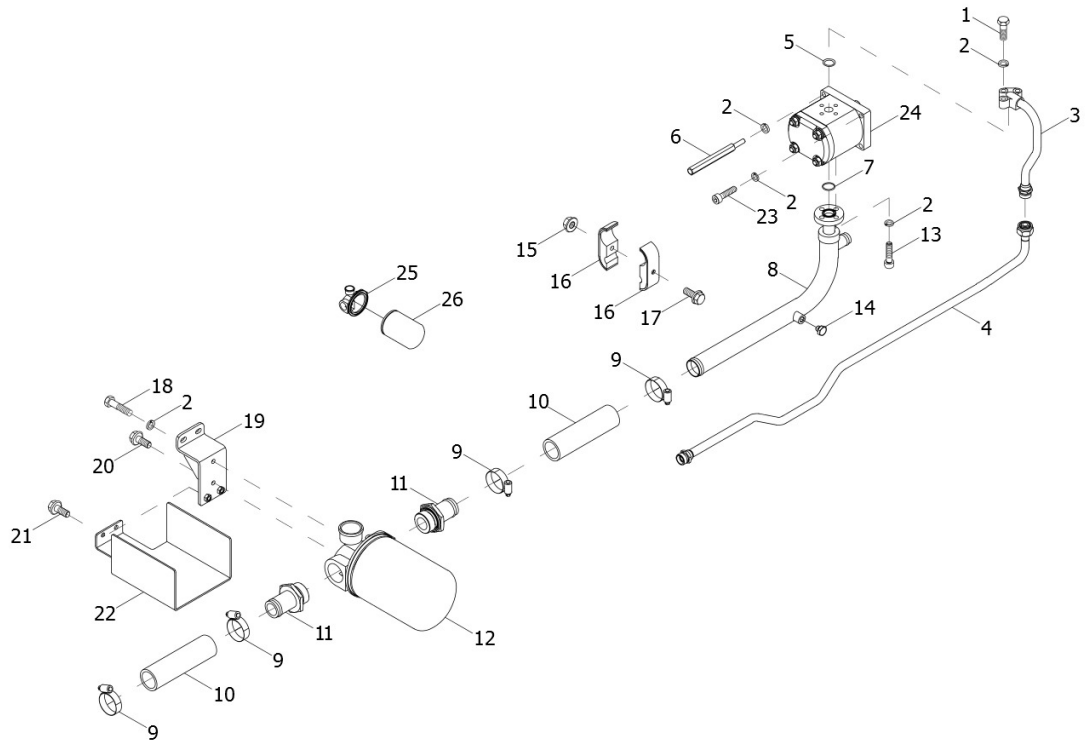
<b>POS</b>	<b>COD</b>	<b>Q.TÀ</b>	<b>DESCRIZIONE</b>	<b>ASSEMBLY NUMBER RANGE</b>
1	L0002976	1	REAR WHEEL ASSEMBLY ASSEMBLY	
2	L0004223	2	STUD STUDS	
3	L0002477	6	WASHER	
4	L0003327	2	TYPE 1 HEXAGON NUT	
5	L0003285	4	HEX BOLT	
6	L0002935	1	WHEEL ASSEMBLY ASSEMBLY	
7	L0002978	1	TYRE ASSEMBLY 11.2-20 GARDENING	
8	L0000205	1	COPERTONE ESTERNO PER RUOTA PRATO	
9	L0000206	1	COPERTONE INTERNO PER RUOTA PRATO	
10	L0000188	1	DISCO	
11	L0003894	4	HUB BOLTS	
12	L0002977	1	DRIVE WHEEL HUB	
13	L0002800	1	DRIVE THE WHEEL HUB COVER	
14	L0003595	4	HEXAGONAL FLANGE NUTS	





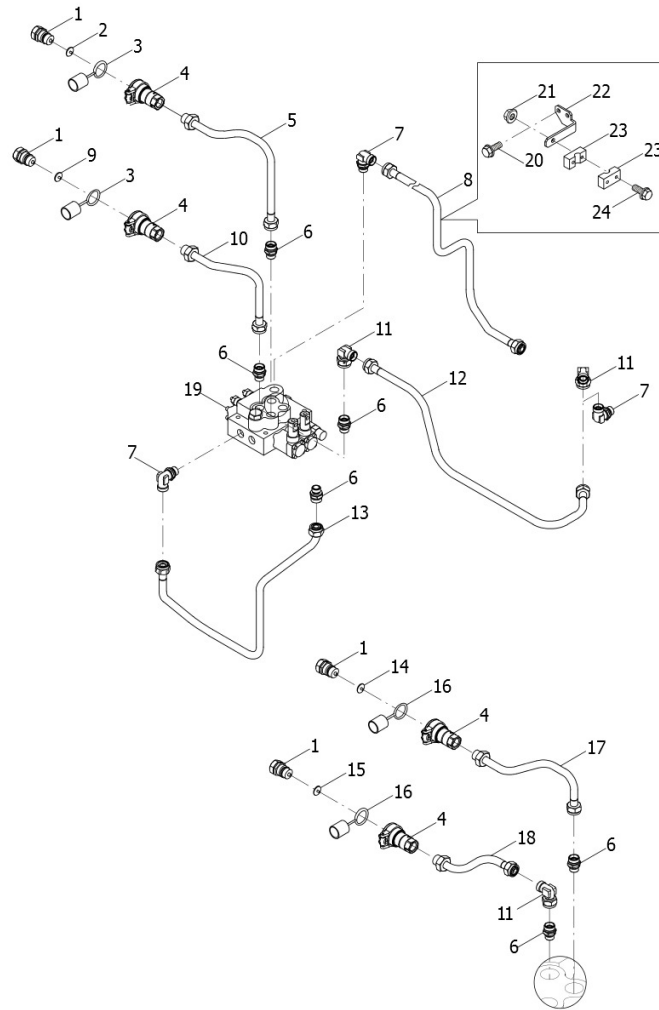


POS	COD	Q.TÀ	DESCRIZIONE	ASSEMBLY NUMBER RANGE
1	L0003284	6	WHEEL WASHER	
2	L0002430	6	WHEEL ASSEMBLY ASSEMBLY HUB BOLTS	
3	L0002935	1	WHEEL ASSEMBLY ASSEMBLY	
4	L0004221	1	RIM PLATE ASSEMBLY RIM BOLTS	
5	L0004222	2	STUD	
6	L0003326	2	TYPE 1 HEXAGON NUT	
7	L0002618	4	DRIVE WHEEL HUB	
8	L0002906	1	DRIVE THE WHEEL HUB COVER HEXAGONAL FLANGE NUTS	
9	L0002800	1	DRIVE THE WHEEL HUB COVER	
10	L0003595	4	HEXAGONAL FLANGE NUTS	
11	L0002968	1	THE WEB RIM WELDING WASHER	
12	L0001790	1	DISCO	
13	L0002615	6	RIM BOLT	
14	L0002883	1	STUD STUDS	
15	L0004183	1	TYPE 1 HEXAGON NUT	
16	L0002503	6	WASHER	
17	L0003328	6	HEXAGON NUT, TYPE-1	



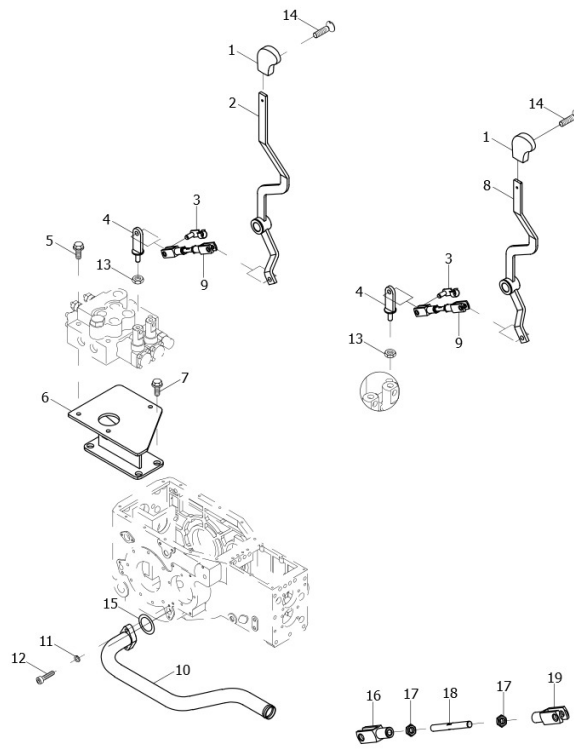


POS	COD	Q.TÀ	DESCRIZIONE	ASSEMBLY NUMBER RANGE
1	L0003276	3	HEXAGON BOLT	
2	L0002122	12	RONDELLA STANDARD	
3	L0004152	1	GEAR PUMP PRESSURE TUBING ASSEMBLY 1	
4	L0004153	1	GEAR PUMP PRESSURE TUBING ASSEMBLY 1	
5	L0000725	1	ANELLO TENUTA	
6	L0004413	2	BOLT	
7	L0003201	1	O RING	
8	L0004151	1	OIL SUCTION TUBE ASSEMBLY OF GEAR PUMP	
9	L0003581	4	B-TYPE WORM TRANSMISSION HOSE CLAMP	
10	L0004595	2	OIL SUCTION HOSE 1	
11	L0004150	2	ED DIRECT CONNECTION M42X2 ASSEMBLY	
12	L0003785	1	OIL ABSORPTION FILTER ASSEMBLY	
13	L0003365	4	INNER HEXAGON SCREW	
14	L0003563	1	SCREW PLUG ASSEMBLY M10X1	
15	L0003348	2	HEXAGON FLANGE NUT	
16	L0004145	4	OIL PIPE CLAMP AND RUBBER CUSHION 35-15	
17	L0003140	2	HEX BOLT WITH FLANGE	
18	L0003274	1	HEXAGON HEAD BOLT	
19	L0004144	1	OIL FILTER BRACKET	
20	L0003133	3	HEXAGON FLANGE BOLT	
21	L0003131	2	HEXAGON FLANGE NUT	
22	L0004148	1	FILTER SHIELD	
23	L0003366	2	HEXAGON SOCKET CAP HEAD SCREW	
24	L0002149	1	POMPA A INGRANAGGI	
25	L0003787	1	OIL SUCTION FILTER SEAT	
26	L0003786	1	OIL SUCTION FILTER ELEMENT	





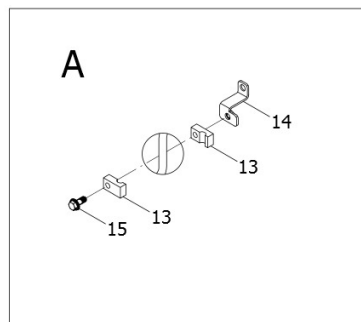
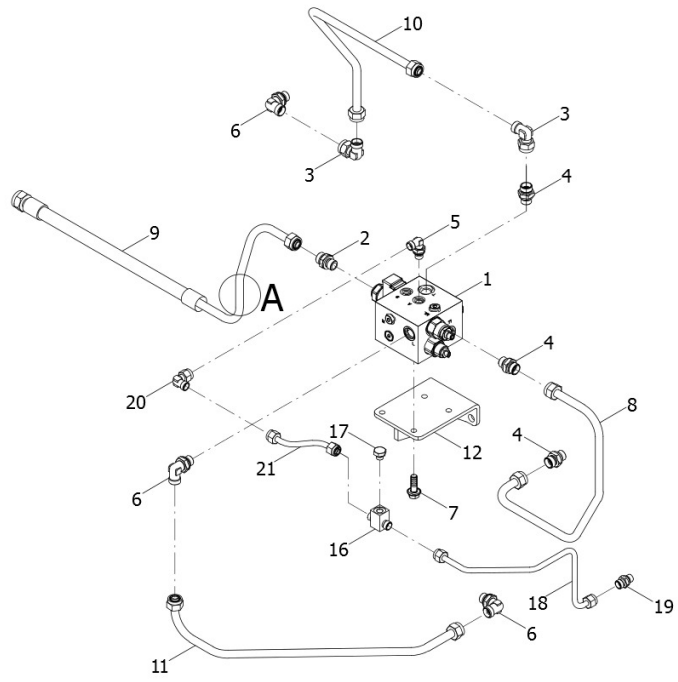
POS	COD	Q.TÀ	DESCRIZIONE	ASSEMBLY NUMBER RANGE
1	L0002831	4	JOINT	
2	L0003791	1	DUSTPROOF COVER R+	
3	L0002554	2	DUSTPROOF COVER	
4	L0003797	4	JOINT	
5	L0004156	1	MULTI-VALVE OUTPUT PIPE ASSEMBLY 1	
6	L0004596	6	JOINT BODY M18-15 ASSEMBLY	
7	L0002718	3	CONNECTING JOINT M18-15	
8	L0004155	1	MULTI-VALVE INTO THE PIPE ASSEMBLY	
9	L0003792	1	DUSTPROOF COVER R-	
10	L0004157	1	MULTI-VALVE OUTPUT PIPE ASSEMBLY 2	
11	L0003214	3	JOINT	
12	L0004161	1	MULTI-VALVE BACK TO THE OIL PIPE ASSEMBLY	
13	L0004162	1	DISTRIBUTOR INLET PIPE ASSEMBLY	
14	L0003794	1	DUSTPROOF COVER B+	
15	L0003793	1	DUSTPROOF COVER B+	
16	L0002551	2	DUSTPROOF COVER	
17	L0004159	1	MULTI-VALVE OUTPUT PIPE ASSEMBLY 4	
18	L0004158	1	MULTI-WAY VALVE OUTPUT PIPE ASSEMBLY 3	
19	L0004414	1	MULTI-WAY VALVE ASSEMBLY	
20	L0003131	2	HEXAGON FLANGE NUT	
21	L0003346	2	HEXAGON FLANGE NUT	
22	L0004160	1	PIPE CLIP BRACKET	
23	L0004205	2	SINGLE-HOLE PIPE CLIP -15	
24	L0003128	2	HEX BOLT WITH FLANGE	





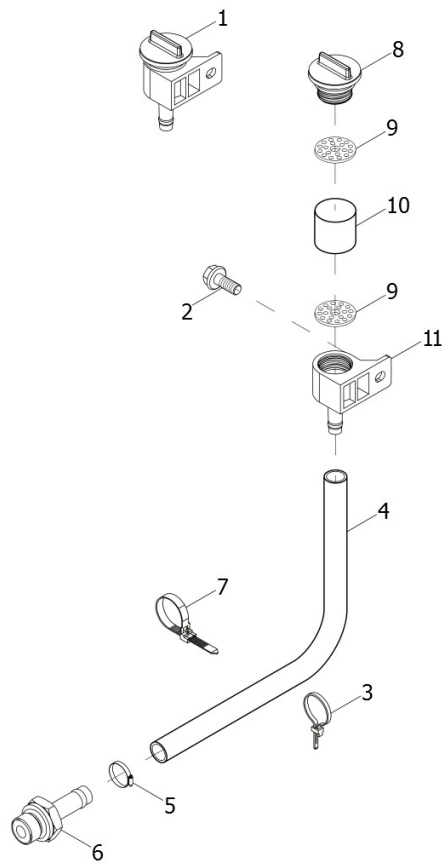
POS	COD	Q.TÀ	DESCRIZIONE	ASSEMBLY NUMBER RANGE
1	L0002446	2	HANDLE HEAD	
2	L0004420	1	CONTROL ARM 1 ASSEMBLY	
3	L0004605	4	LOCK PIN ASSEMBLY	
4	L0004417	2	LEVER SUPPORT	
5	L0003129	3	HEX BOLT WITH FLANGE	
6	L0004416	1	MULTI-WAY VALVE BRACKET WELDING	
7	L0003114	4	HEXAGON FLANGE BOLT	
8	L0004421	1	CONTROL ARM 2 ASSEMBLY	
9	L0004418	2	MULTI-WAY VALVE CONTROL ROD ASSEMBLY	
10	L0004154	1	SUCTION PIPE ASSEMBLY	
11	L0002122	4	RONDELLA STANDARD	
12	L0003366	2	HEXAGON SOCKET CAP HEAD SCREW	
13	L0003336	2	HEXAGON THIN NUT	
14	L0003354	2	SLOTTED SCREW	
15	L0003203	1	RUBBER O-SEAL RING	
16	L0004604	1	RIGHT-HAND LEVER FORK	
17	L0003336	2	HEXAGON THIN NUT	
18	L0004419	1	MULTI-VALVE CONTROL LEVER	
19	L0004603	1	LEVER LEVER FORK	





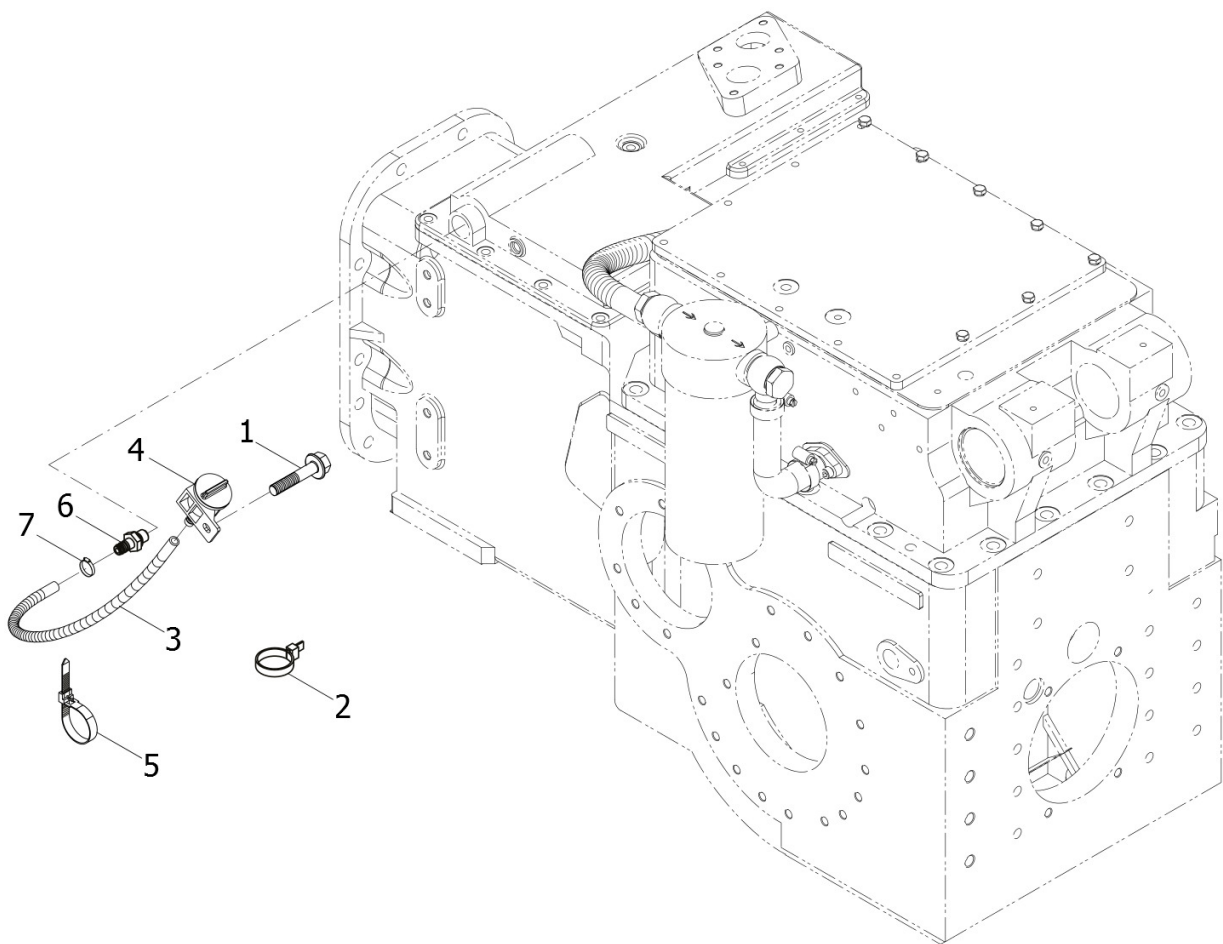


POS	COD	Q.TÀ	DESCRIZIONE	ASSEMBLY NUMBER RANGE
1	L0003662	1	CONTROL VALVE	
2	L0004613	1	JOINT BODY M22-12 ASSEMBLY	
3	L0003213	2	JOINT	
4	L0003566	3	END THROUGH CONNECTOR ASSEMBLY 16-18	
5	L0003665	1	ADJUSTABLE JOINT M12-8 ASSEMBLY	
6	L0002694	3	JOINT ASSEMBLY L12	
7	L0003131	4	HEXAGON FLANGE NUT	
8	L0003993	1	SOLENOID VALVE RETURN OIL PIPE ASSEMBLY 2	
9	L0003990	1	SOLENOID VALVE INLET HOSE ASSEMBLY	
10	L0003992	1	SOLENOID VALVE RETURN OIL PIPE ASSEMBLY 1	
11	L0003995	1	LUBRICATING OIL PIPE ASSEMBLY	
12	L0003991	1	THE SOLENOID VALVE BLOCK BRACKET	
13	L0002398	2	SINGLE HOLE PIPE CLAMP	
14	L0003996	1	PIPE BRACKET	
15	L0003137	1	HEXAGON FLANGE BOLT	
16	L0004214	1	THROUGH CONNECTOR BODY L8-L8	
17	L0003563	1	SCREW PLUG ASSEMBLY M10X1	
18	L0003994	1	PTO OIL INLET STEEL PIPE ASSEMBLY	
19	L0004203	1	JOINT BODY M12-8 ASSEMBLY	
20	L0003215	1	JOINT	
21	L0003997	1	PTO OIL INLET STEEL PIPE ASSEMBLY 2	



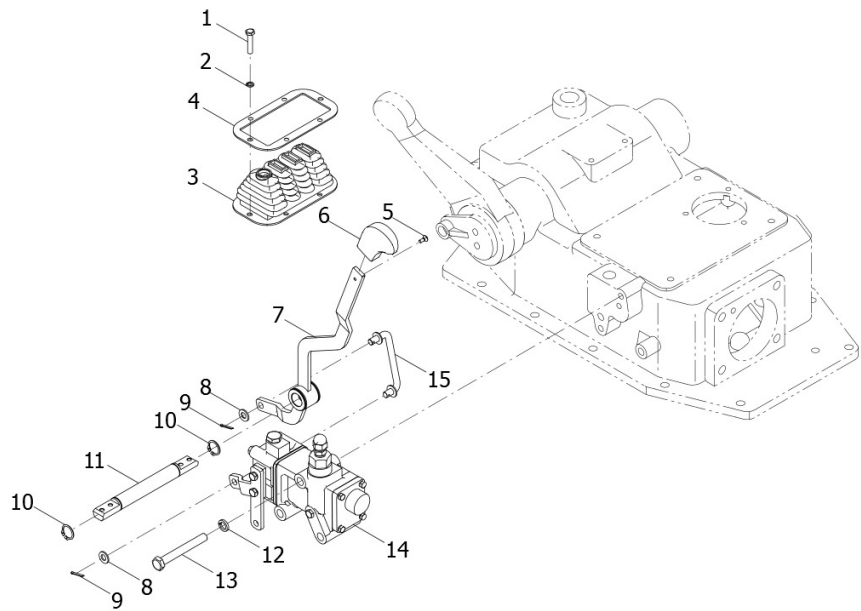


<b>POS</b>	<b>COD</b>	<b>Q.TÀ</b>	<b>DESCRIZIONE</b>	<b>ASSEMBLY NUMBER RANGE</b>
1	L0004607	1	RESPIRATOR	
2	L0003299	1	HEXAGON FLANGE BOLT	
3	L0002364	1	PLASTIC FASTENING STRAP	
4	L0004273	1	BREATHING HOSE	
5	L0002453	2	A TYPE WORM GEARING HOSE RING HOOP	
6	L0004274	1	JOINT ASSEMBLY M12X1.5	
7	L0002452	1	TIE	
8	L0004609	1	RESPIRATOR COVER	
9	L0004610	2	THE SEAT BOARD	
10	L0004611	1	RESPIRATOR FILTER CORE	
11	L0004608	1	BODY OF RESPIRATOR	





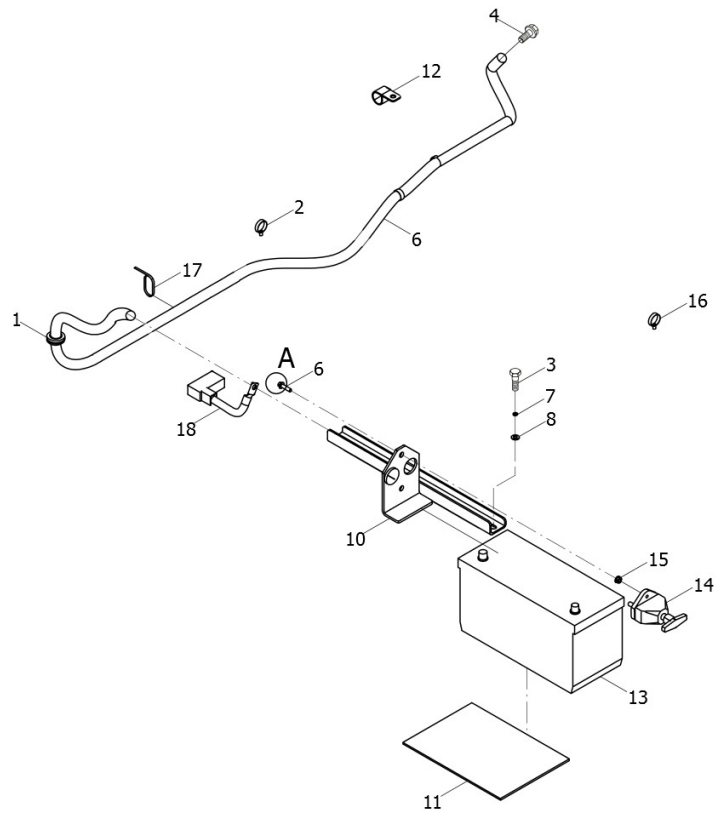
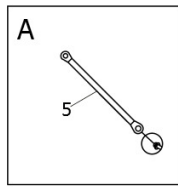
POS	COD	Q.TÀ	DESCRIZIONE	ASSEMBLY NUMBER RANGE
1	L0003299	1	HEXAGON FLANGE BOLT	
2	L0002364	1	PLASTIC FASTENING STRAP	
3	L0004273	1	BREATHING HOSE	
4	L0004607	1	RESPIRATOR	
5	L0002452	1	TIE	
6	L0004274	1	JOINT ASSEMBLY M12X1.5	
7	L0002453	2	A TYPE WORM GEARING HOSE RING HOOP	





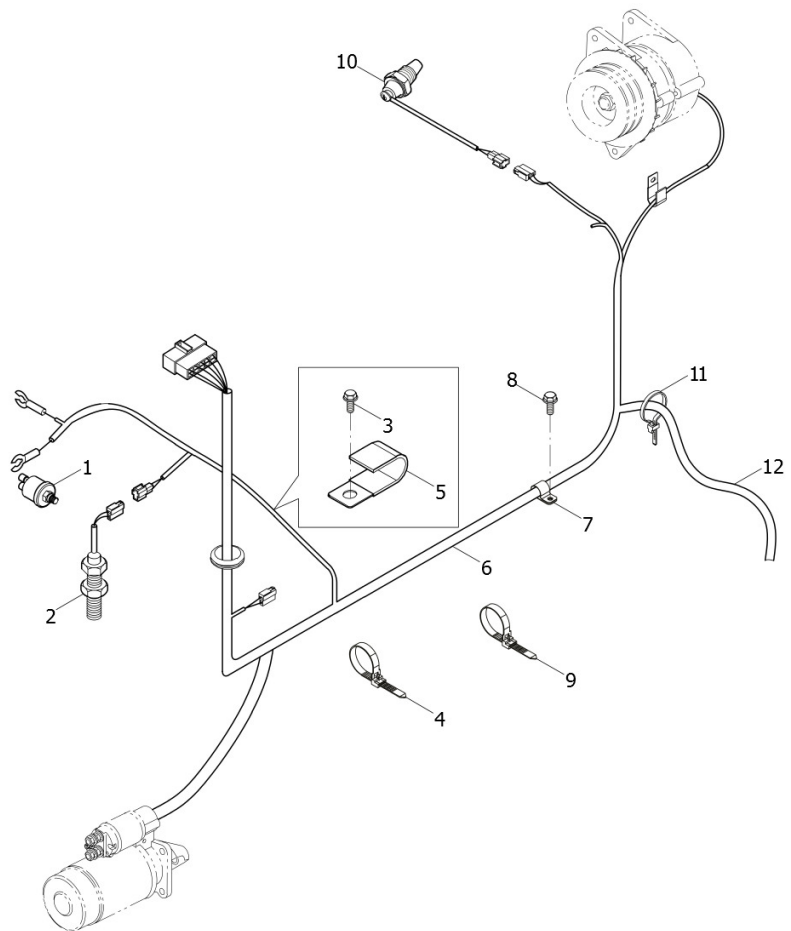
<b>POS</b>	<b>COD</b>	<b>Q.TÀ</b>	<b>DESCRIZIONE</b>	<b>ASSEMBLY NUMBER RANGE</b>
1	L0003233	4	HEX BOLT	
2	L0003515	4	STANDARD SPRING WASHER	
3	L0002689	1	GLAND	
4	L0002500	1	STEEL PAD	
5	L0003354	1	SLOTTED SCREW	
6	L0002446	1	HANDLE HEAD	
7	L0004409	1	MANIPULATOR ASSEMBLY	
8	L0003551	2	FLAT WASHER	
9	L0003490	2	SPLIT PIN	
10	L0003455	2	CIRCLIP FOR SHAFT	
11	L0004411	1	FIXED SHAFT	
12	L0003505	3	STANDARD SPRING WASHER	
13	L0003224	3	HEX BOLT	
14	L0004412	1	DISPENSER ASSEMBLY	
15	L0004410	1	DISPENSER LEVER ASSEMBLY	





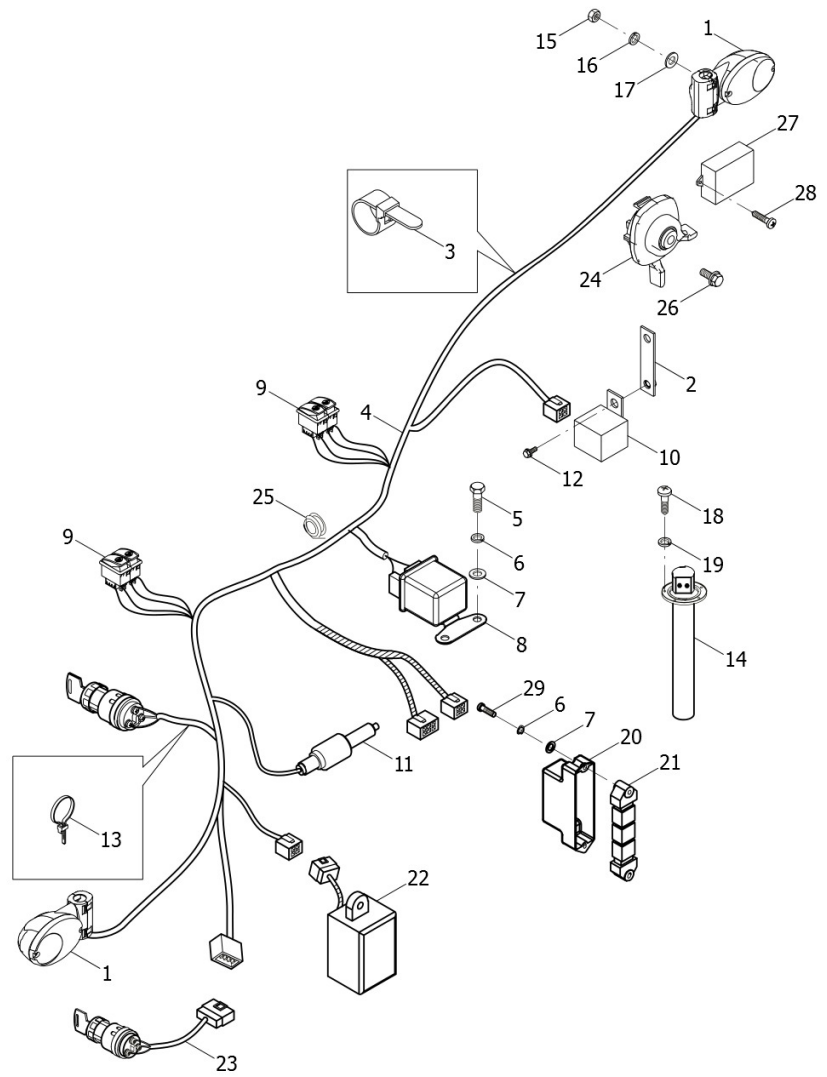


POS	COD	Q.TÀ	DESCRIZIONE	ASSEMBLY NUMBER RANGE
1	L0002483	1	THROUGH HARNESS WASHER(1)	
2	L0003876	1	TIE	
3	L0002375	2	HEX BOLT	
4	L0003131	1	HEXAGON FLANGE NUT	
5	L0004119	1	SWITCH ON THE LINE	
6	L0004122	1	POWER CORD ASSEMBLY	
7	L0002122	2	RONDELLA STANDARD	
8	L0003551	2	FLAT WASHER	
9	L0003135	2	HEX BOLT WITH FLANGE	
10	L0004120	1	PLATEN WELDING	
11	L0002767	1	RUBBER SKIN	
12	L0002506	1	HARNESS FIXING CLAMP (1)	
13	L0001366	1	BATTERIA	
14	L0002864	1	POWER SWITCH	
15	L0003348	4	HEXAGON FLANGE NUT	
16	L0002452	3	TIE	
17	L0003579	1	PLASTIC FASTENING STRIP	
18	L0004121	1	BATTERY GROUND WIRE	



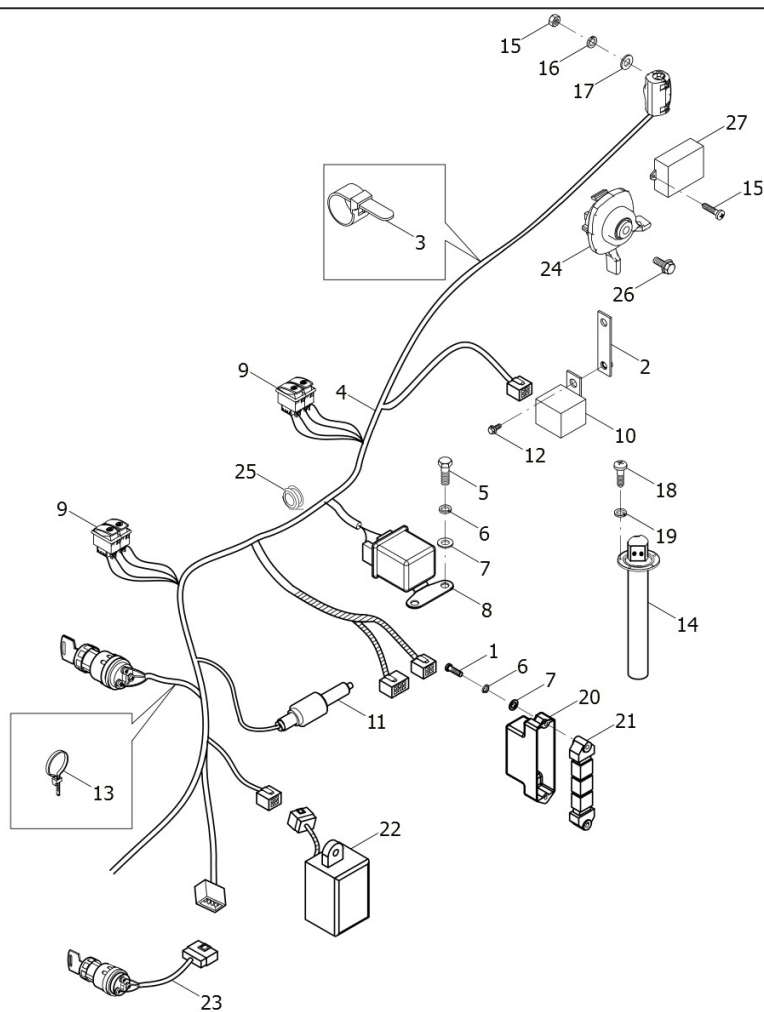


<b>POS</b>	<b>COD</b>	<b>Q.TÀ</b>	<b>DESCRIZIONE</b>	<b>ASSEMBLY NUMBER RANGE</b>
1	L0000484	1	ALLARME PRESSIONE OLIO	
2	L0001802	1	SENSORE RPM	
3	L0003104	2	HEXAGON FLANGE NUT	
4	L0002452	2	TIE	
5	L0002513	2	HARNESS TIGHTEN CLIP	
6	L0004099	1	ENGINE HARNESS ASSEMBLY	
7	L0002403	2	HARNESS TIGHTEN CLIP	
8	L0003131	2	HEXAGON FLANGE NUT	
9	L0002445	2	PLASTIC HOLDING BAND	
10	L0002726	1	WATER TEMPERATURE SENSOR ASSEMBLY	
11	L0002364	2	PLASTIC FASTENING STRAP	





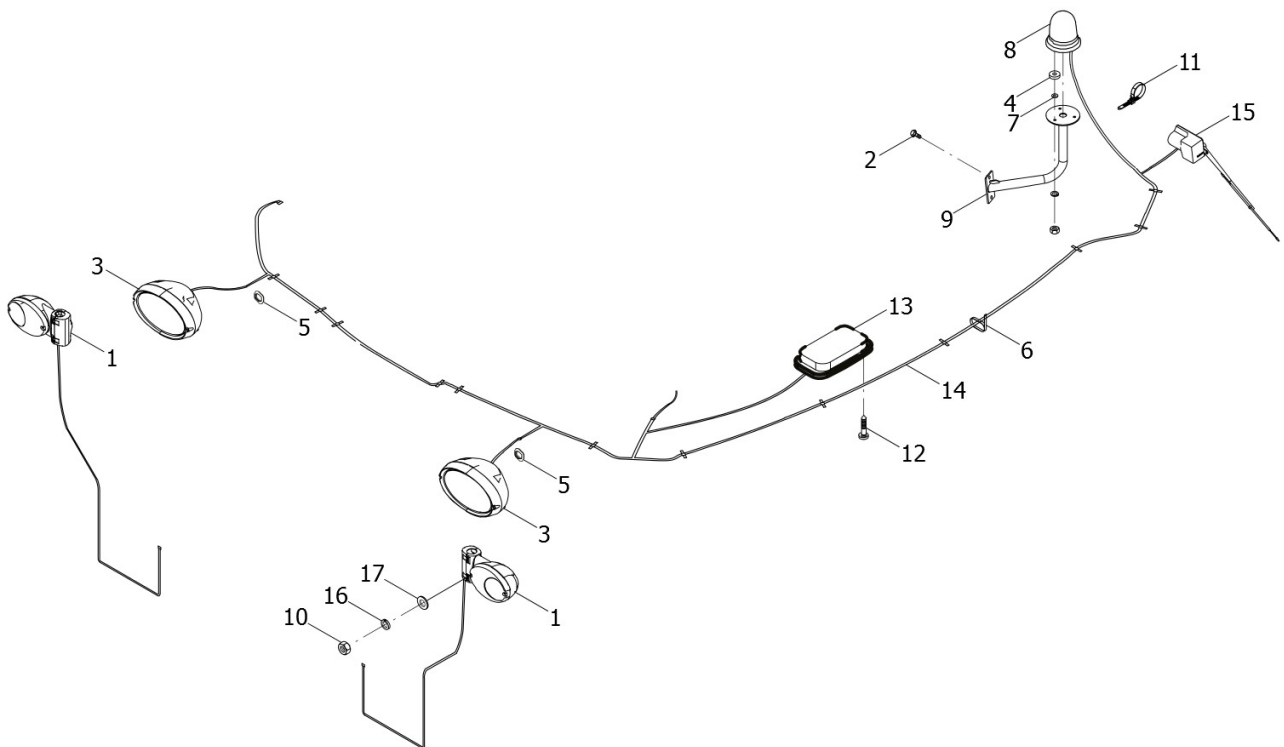
POS	COD	Q.TÀ	DESCRIZIONE	ASSEMBLY NUMBER RANGE
1	L0002841	2	RIGHT ARMREST LIGHT ASSEMBLY	
2	L0004107	1	RELAY FIXED PLATE WELDING	
3	L0002452	14	TIE	
4	L0004108	1	BODY HARNESS ASSEMBLY	
5	L0003123	2	HEXAGON FLANGE NUT	
6	L0003515	4	STANDARD SPRING WASHER	
7	L0003548	4	FLAT WASHER	
8	L0000479	1	RELE' MOTORINO DI AVVIAMENTO	
9	L0004105	1	TWO ROCKER SWITCH (VERTICAL)	
9	L0004109	1	TWO ROCKER SWITCH (VERTICAL)	
10	L0004106	1	DOUBLE CONTACT RELAY	
11	L0001137	2	INTERRUTTORE LUCI FRENO	
12	L0003122	1	HEXAGON FLANGE BOLT	
13	L0002364	11	PLASTIC FASTENING STRAP	
14	L0004400	1	FUEL QUANTITY SENSOR ASSEMBLY	
15	L0003317	4	HEXAGON NUT, TYPE-1	
16	L0003513	6	STANDARD SPRING WASHER	
17	L0003546	6	FLAT WASHER	
18	L0002671	5	FLANGED SCREW (M4X12)	
19	L0003512	5	STANDARD SPRING WASHER	
20	L0002574	1	RELAY COVER	
21	L0004103	1	RELAY BOX ASSEMBLY	
22	L0004101	1	FUSE BOX ASSEMBLY	
23	L0002805	1	IGNITION LOCK	
24	L0004102	1	COMBINATION SWITCH ASSEMBLY	
25	L0002486	1	OVER THE LINE APRON	
26	L0003131	2	HEXAGON FLANGE NUT	
27	L0003747	1	CONTROL BOX	
28	L0003379	2	CROSS RECESSED PAN HEAD SCREW	
29	L0003390	4	CROSS SCREW	





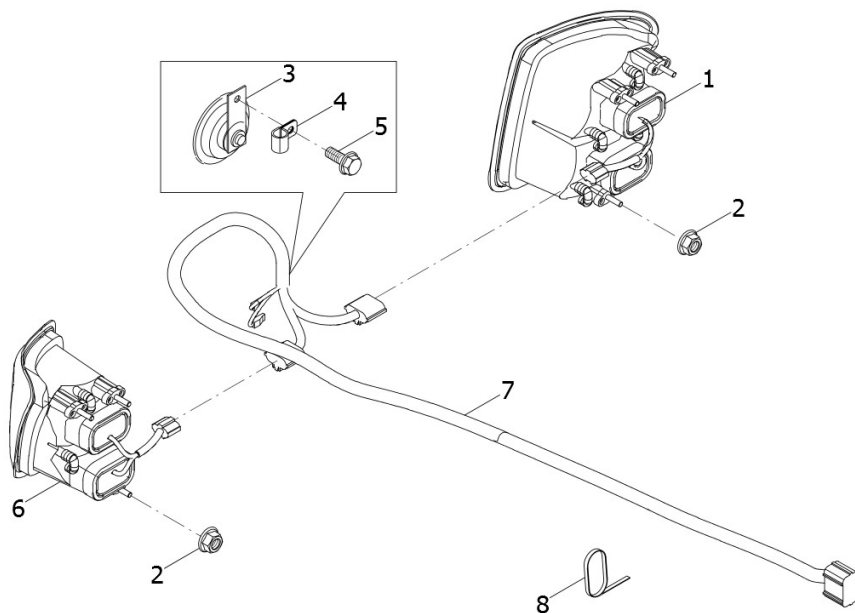
POS	COD	Q.TÀ	DESCRIZIONE	ASSEMBLY NUMBER RANGE
1	L0003390	4	CROSS SCREW	
2	L0004107	1	RELAY FIXED PLATE WELDING	
3	L0002452	14	TIE	
4	L0004100	1	BODY HARNESS ASSEMBLY	
5	L0003123	2	HEXAGON FLANGE NUT	
6	L0003515	4	STANDARD SPRING WASHER	
7	L0003548	4	FLAT WASHER	
8	L0000479	1	RELE' MOTORINO DI AVVIAMENTO	
9	L0004105	1	TWO ROCKER SWITCH (VERTICAL)	
9	L0004104	1	TWO ROCKER SWITCH (VERTICAL)	
10	L0004106	1	DOUBLE CONTACT RELAY	
11	L0001137	2	INTERRUTTORE LUCI FRENO	
12	L0003122	1	HEXAGON FLANGE BOLT	
13	L0002364	11	PLASTIC FASTENING STRAP	
14	L0004400	1	FUEL QUANTITY SENSOR ASSEMBLY	
15	L0003379	2	CROSS RECESSED PAN HEAD SCREW	
16	L0003513	2	STANDARD SPRING WASHER	
17	L0003546	2	FLAT WASHER	
18	L0002671	5	FLANGED SCREW (M4X12)	
19	L0003512	5	STANDARD SPRING WASHER	
20	L0002574	1	RELAY COVER	
21	L0004103	1	RELAY BOX ASSEMBLY	
22	L0004101	1	FUSE BOX ASSEMBLY	
23	L0002805	1	IGNITION LOCK	
24	L0004102	1	COMBINATION SWITCH ASSEMBLY	
25	L0002486	1	OVER THE LINE APRON	
26	L0003131	2	HEXAGON FLANGE NUT	
27	L0003747	1	CONTROL BOX	





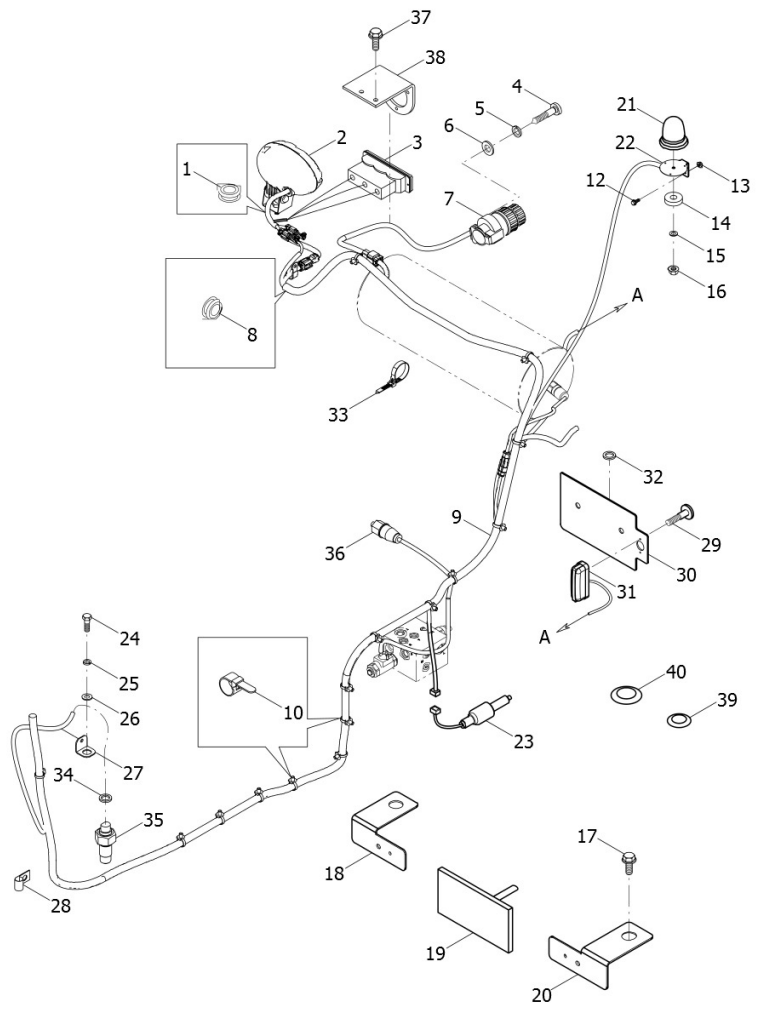


POS	COD	Q.TÀ	DESCRIZIONE	ASSEMBLY NUMBER RANGE
1	L0002841	2	RIGHT ARMREST LIGHT ASSEMBLY	
2	L0003131	2	HEXAGON FLANGE NUT	
3	L0002853	2	TOP LIGHT ASSEMBLY	
4	L0002448	3	RUBBER WASHER	
5	L0002483	2	THROUGH HARNESS WASHER(1)	
6	L0002452	9	TIE	
7	L0003526	3	BIG WASHER	
8	L0002924	1	ROTATE WARNING LIGHT	
9	L0004124	1	ROTARY ALARM LIGHT BRACKET WELDING	
10	L0003317	5	HEXAGON NUT, TYPE-1	
11	L0003579	4	PLASTIC FASTENING STRIP	
12	L0002338	4	PAN HEAD TAPPING SCREW WITH CROSS RECESSED	
13	L0002810	1	INNER TOP LIGHT ASSEMBLY	
14	L0004123	1	DOME LIGHT HARNESS ASSEMBLY	
15	L0002167	1	REAR SCRAPER ASSEMBLY	
16	L0003513	5	STANDARD SPRING WASHER	
17	L0003546	2	FLAT WASHER	



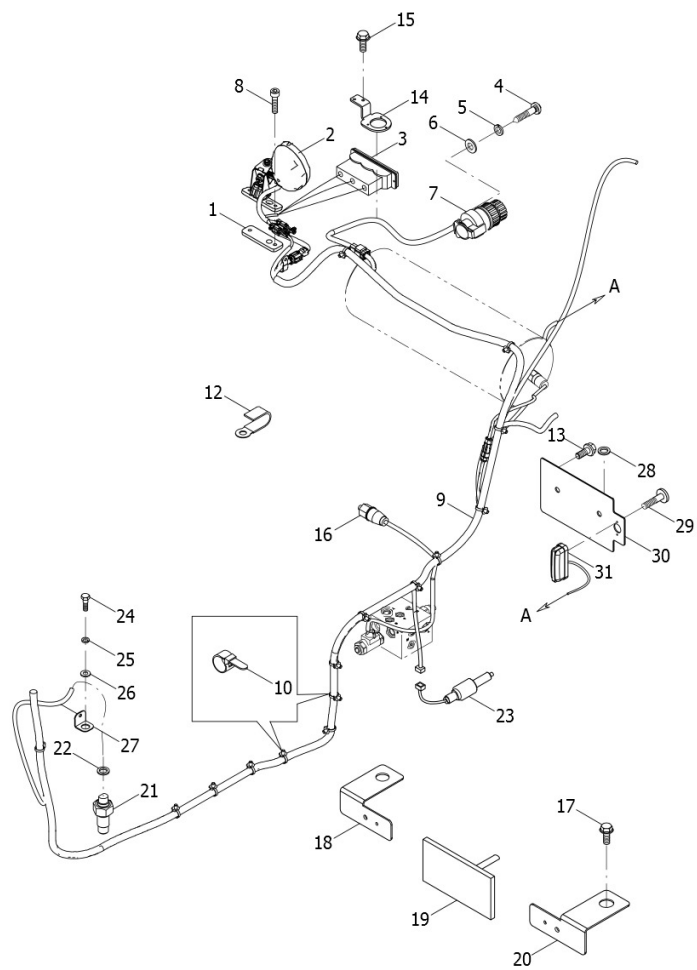


<b>POS</b>	<b>COD</b>	<b>Q.TÀ</b>	<b>DESCRIZIONE</b>	<b>ASSEMBLY NUMBER RANGE</b>
1	L0004110	1	RIGHT HEADLIGHT ASSEMBLY	
2	L0003346	6	HEXAGON FLANGE NUT	
3	L0001331	1	CLACSON ELETTRICO	
4	L0002403	1	HARNESS TIGHTEN CLIP	
5	L0003134	1	HEXAGON FLANGE BOLT	
6	L0004111	1	LEFT HEADLIGHT ASSEMBLY	
7	L0004401	1	HEADLIGHT HARNESS ASSEMBLY	
8	L0003579	4	PLASTIC FASTENING STRIP	





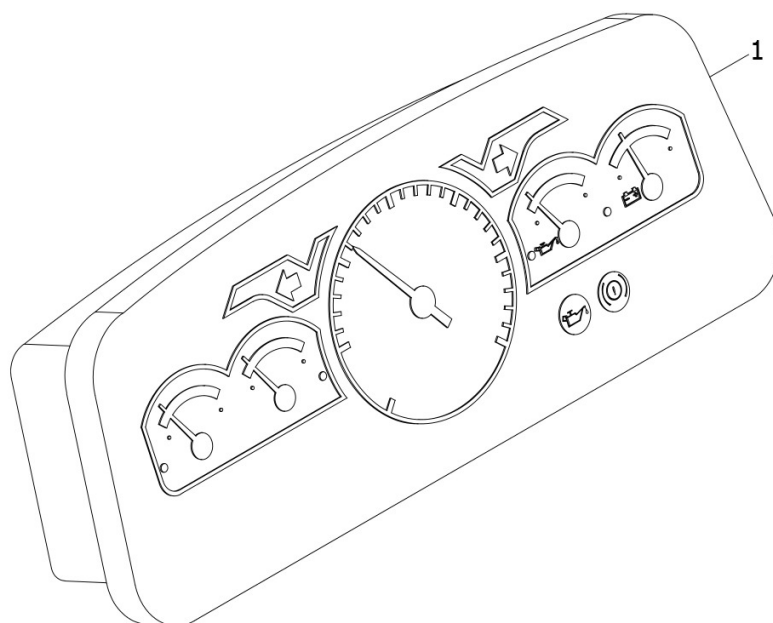
POS	COD	Q.TÀ	DESCRIZIONE	ASSEMBLY NUMBER RANGE
1	L0002478	1	THREADING RUBBER RING (B)	
2	L0001327	1	COMPLESSO LUCE POSTERIORE	
3	L0002824	2	REAR TAILLIGHT ASSEMBLY	
4	L0002464	3	CROSS RECESSED PAN HEAD SCREW	
5	L0003513	3	STANDARD SPRING WASHER	
6	L0003546	3	FLAT WASHER	
7	L0001341	1	PRESA SPINA POSTERIORE	
8	L0002483	2	THROUGH HARNESS WASHER(1)	
9	L0004117	1	THE REAR WIRE HARNESS ASSEMBLY	
10	L0002452	34	TIE	
11	L0002364	4	PLASTIC FASTENING STRAP	
12	L0003141	2	HEX BOLT WITH FLANGE	
13	L0003348	2	HEXAGON FLANGE NUT	
14	L0002448	3	RUBBER WASHER	
15	L0003526	3	BIG WASHER	
16	L0003345	3	HEXAGON FLANGE NUT	
17	L0003114	2	HEXAGON FLANGE BOLT	
18	L0004115	1	REFLECTOR MOUNTING PLATE (LEFT)	
19	L0001333	2	COMPLESSO RIFLETTORE	
20	L0004116	1	LAUNCHER MOUNTING PANEL (RIGHT)	
21	L0002924	1	ROTATE WARNING LIGHT	
22	L0004118	1	ALARM LIGHT BRACKET WELDED	
23	L0001137	1	INTERRUTTORE LUCI FRENO	
24	L0003260	2	HEX BOLT	
25	L0003510	2	STANDARD SPRING WASHER	
26	L0003540	2	FLAT WASHER	
27	L0004114	2	HARNESS FIXING PLATE	
28	L0002490	1	PIPE CLAMP 1	
29	L0003399	2	SCREW	
30	L0004113	1	LICENSE PLATE LAMP BRACKET WELDING	
31	L0000870	1	LAMPADA LICENZA	
32	L0003573	1	COMBINED SEAL GASKET	
33	L0003579	1	PLASTIC FASTENING STRIP	
34	L0003576	1	COMBINED SEAL GASKET	
35	L0003749	1	SWITCH	
36	L0003748	1	STEERING LOW-PRESSURE ALARM SWITCH	
37	L0003131	4	HEXAGON FLANGE NUT	
38	L0004402	1	REAR TRAILER SOCKET MOUNTING PLATE	
39	L0002423	1	CRAFT COVER (APERTURE 9)	
40	L0002424	1	PROCESS PLUG COVER (APERTURE 14)	





POS	COD	Q.TÀ	DESCRIZIONE	ASSEMBLY NUMBER RANGE
1	L0004594	1	REAR WORK LIGHT DAMPING PAD	
2	L0002899	1	RIGHT REAR LIGHT ASSEMBLY	
3	L0002824	2	REAR TAILLIGHT ASSEMBLY	
4	L0002464	3	CROSS RECESSED PAN HEAD SCREW	
5	L0003513	3	STANDARD SPRING WASHER	
6	L0003546	3	FLAT WASHER	
7	L0001341	1	PRESA SPINA POSTERIORE	
8	L0003364	2	HEXAGON SOCKET CAP HEAD SCREW	
9	L0004112	1	REAR LIGHT HARNESS ASSEMBLY	
10	L0002452	34	TIE	
11	L0002364	4	PLASTIC FASTENING STRAP	
12	L0002506	2	HARNESS FIXING CLAMP (1)	
13	L0003143	2	HEX BOLT WITH FLANGE	
14	L0004403	1	REAR TRAILER SOCKET MOUNTING PLATE	
15	L0003131	4	HEXAGON FLANGE NUT	
16	L0003748	1	STEERING LOW-PRESSURE ALARM SWITCH	
17	L0003114	2	HEXAGON FLANGE BOLT	
18	L0004115	1	REFLECTOR MOUNTING PLATE (LEFT)	
19	L0001333	2	COMPLESSO RIFLETTORE	
20	L0004116	1	LAUNCHER MOUNTING PANEL (RIGHT)	
21	L0003749	1	SWITCH	
22	L0003576	1	COMBINED SEAL GASKET	
23	L0001137	1	INTERRUTTORE LUCI FRENO	
24	L0003260	2	HEX BOLT	
25	L0003510	2	STANDARD SPRING WASHER	
26	L0003540	2	FLAT WASHER	
27	L0004114	2	HARNESS FIXING PLATE	
28	L0003573	1	COMBINED SEAL GASKET	
29	L0003399	2	SCREW	
30	L0004113	1	LICENSE PLATE LAMP BRACKET WELDING	
31	L0000870	1	LAMPADA LICENZA	



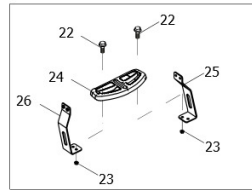
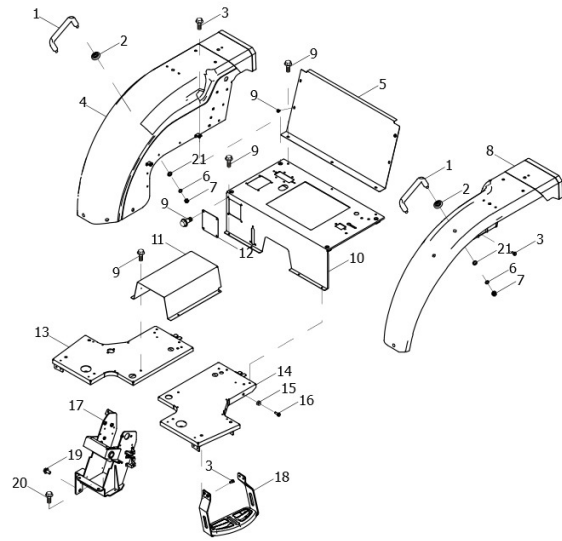




**ARBOS**

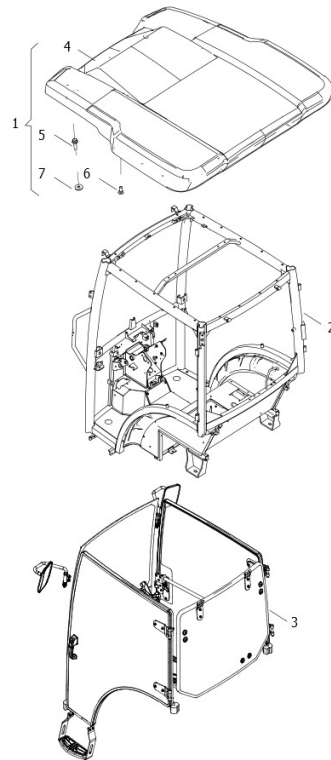
2025  
CRUSCOTTO - STRUMENTAZIONE

POS	COD	Q.TÀ	DESCRIZIONE	ASSEMBLY NUMBER RANGE
1	L0004125	1	COMBINATION INSTRUMENT INSTALLATION ASSEMBLY	



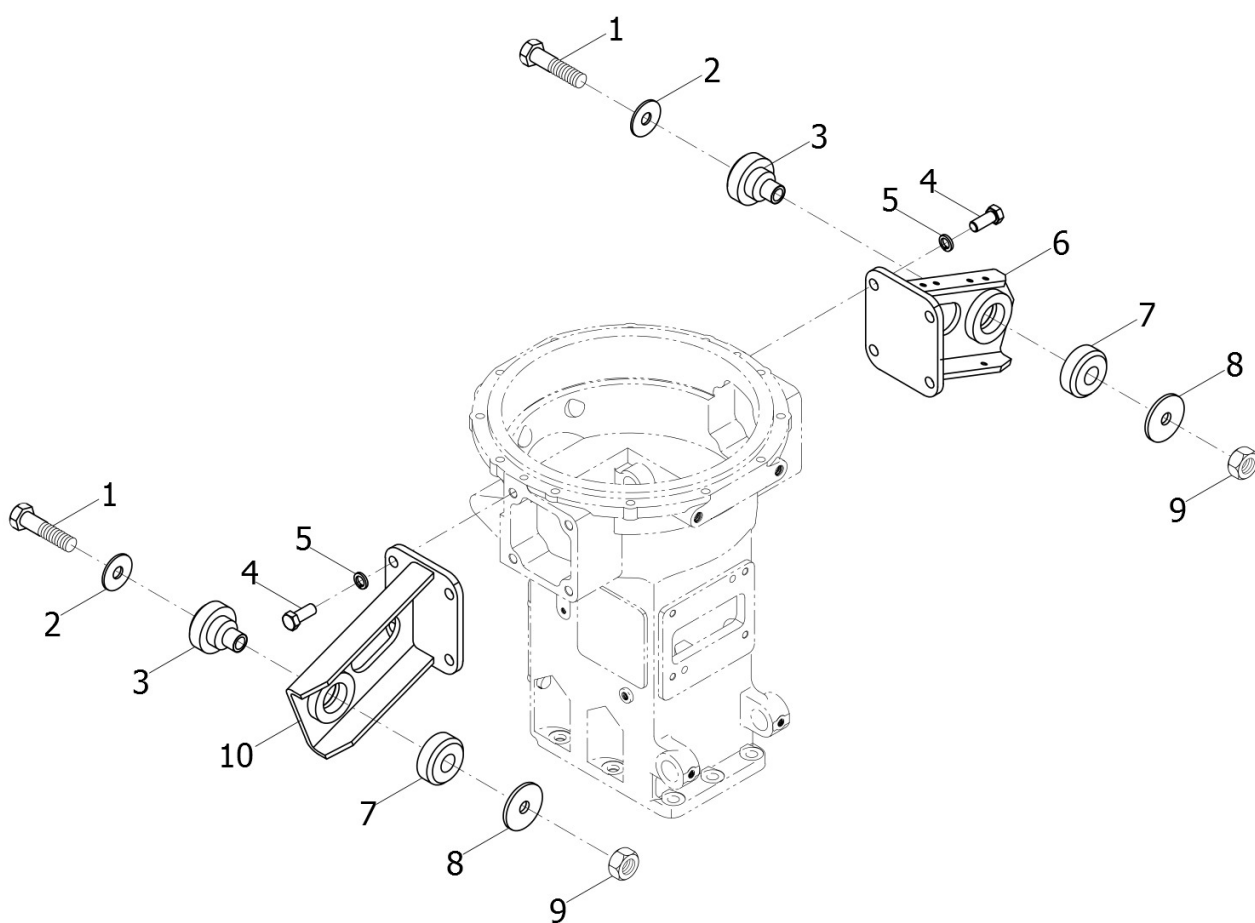


POS	COD	Q.TÀ	DESCRIZIONE	ASSEMBLY NUMBER RANGE
1	L0000282	2	BRACCIOLO	
2	L0002470	4	ARMREST WASHER PARTS	
3	L0003299	16	HEXAGON FLANGE BOLT	
4	L0004073	1	RIGHT FENDER WELDING	
5	L0004071	1	REAR PANEL	
6	L0003506	4	STANDARD SPRING WASHER	
7	L0003310	4	NUT	
8	L0004072	1	LEFT FENDER WELDING	
9	L0003295	18	HEXAGON FLANGE BOLT	
10	L0004075	1	REAR FLOOR WELDING ASSEMBLY	
11	L0004077	1	FRONT FLOOR COVER PLATE	
12	L0004079	1	SIDE CONTROL MAINTENANCE COVER PLATE	
13	L0004074	1	WELDING ASSEMBLY OF RIGHT FRONT FLOOR	
14	L0004076	1	LEFT FRONT FLOOR WELDING ASSEMBLY	
15	L0004347	6	RUBBER SLEEVE	
16	L0003302	6	HEXAGON FLANGE BOLT	
17	L0004078	1	DIRECTION MACHINE INSTALLATION BRACKET	
18	L0004341	2	LEFT PEDAL LADDER ASSEMBLY	
19	L0003117	1	HEX BOLT WITH FLANGE	
20	L0003288	1	HEXAGON FLANGE NUT	
21	L0003536	4	FLAT WASHER	
22	L0003133	4	HEXAGON FLANGE BOLT	
23	L0003348	4	HEXAGON FLANGE NUT	
24	L0004578	1	THE LEFT PEDAL LADDER WELDING	
25	L0004342	1	THE RIGHT PEDAL LADDER PLATE	
26	L0004343	1	THE LEFT PEDAL LADDER PLATE	





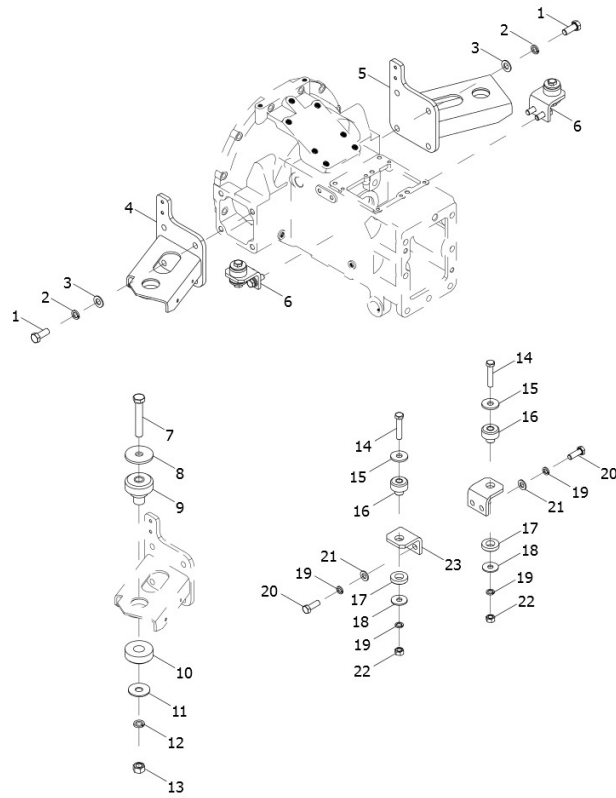
<b>POS</b>	<b>COD</b>	<b>Q.TÀ</b>	<b>DESCRIZIONE</b>	<b>ASSEMBLY NUMBER RANGE</b>
1	L0004328	1	ROOF ASSEMBLY	
2	L0004056	1	CAB WELDING ASSEMBLY	
3	L0004057	1	CAB ACCESSORY ASSEMBLY	
4	L0004319	1	ROOF ASSEMBLY	
5	L0003124	16	HEXAGON FLANGE NUT	
6	L0003529	10	BIG WASHER	
7	L0003385	1	CROSS RECESSED PAN HEAD SCREW	





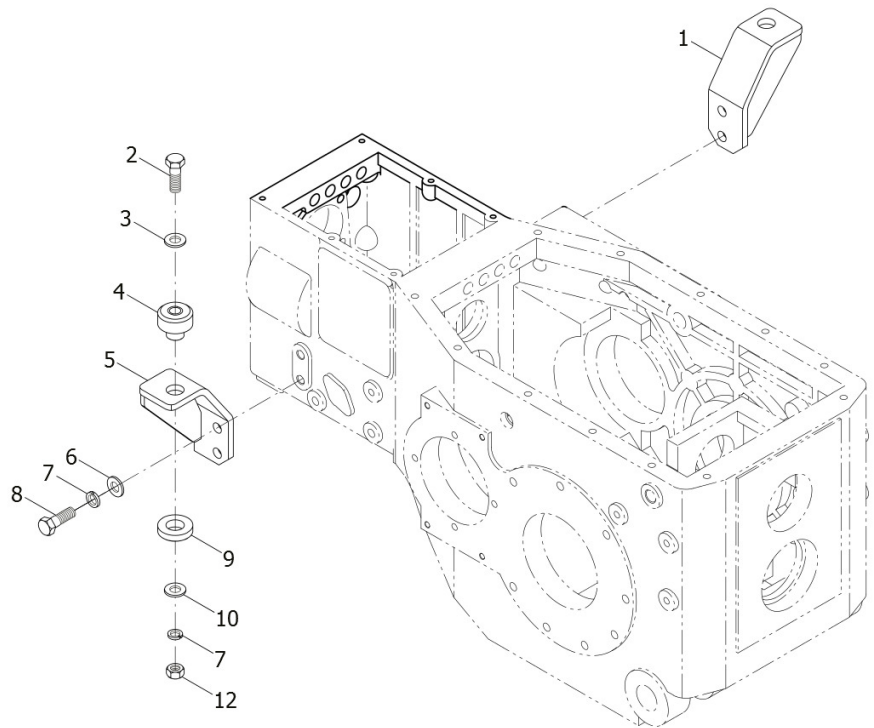
<b>POS</b>	<b>COD</b>	<b>Q.TÀ</b>	<b>DESCRIZIONE</b>	<b>ASSEMBLY NUMBER RANGE</b>
1	L0002553	2	HEX BOLT	
2	L0003525	2	BIG WASHER	
3	L0004362	2	UPPER SHOCK ABSORBER	
4	L0003258	8	HEX BOLT	
5	L0003508	8	NORMAL TYPE SINGLE COIL SPRING LOCK WASHER	
6	L0004360	1	LEFT FRONT CONNECTION WELDING	
7	L0004363	2	LOWER DAMPING BLOCK	
8	L0004364	2	WASHER	
9	L0003351	2	MODEL 1 ALL METAL SIX ANGLE LOCKING NUT	
10	L0004361	1	RIGHT FRONT CONNECTION WELDING	





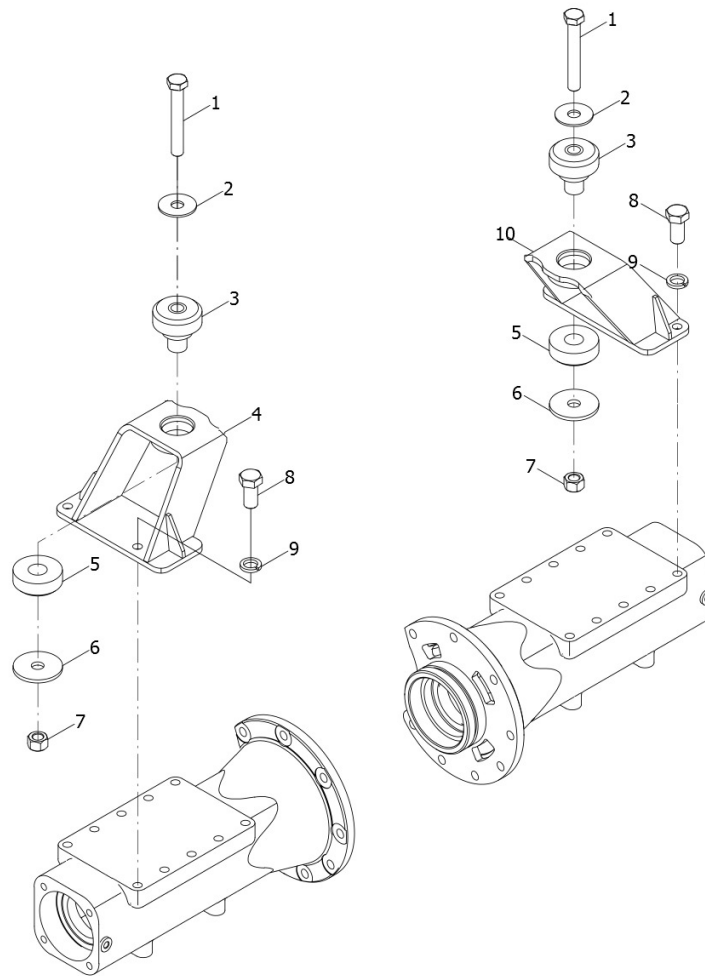


POS	COD	Q.TÀ	DESCRIZIONE	ASSEMBLY NUMBER RANGE
1	L0003258	8	HEX BOLT	
2	L0003508	8	NORMAL TYPE SINGLE COIL SPRING LOCK WASHER	
3	L0003538	8	PLAIN WASHER	
4	L0004365	1	LEFT FRONT CONNECTION WELDING	
5	L0004366	1	RIGHT FRONT CONNECTION WELDING	
6	L0004367	1	MIDDLE CONNECTION ASSEMBLY	
7	L0002553	2	HEX BOLT	
8	L0003525	2	BIG WASHER	
9	L0004362	2	UPPER SHOCK ABSORBER	
10	L0004363	2	LOWER DAMPING BLOCK	
11	L0004364	2	WASHER	
12	L0003510	2	STANDARD SPRING WASHER	
13	L0003312	2	HEXAGON NUT, TYPE-1	
14	L0003229	2	HEX BOLT	
15	L0003523	2	BIG WASHER	
16	L0004368	2	UPPER DAMPING BLOCK	
17	L0004369	2	LOWER DAMPING PAD	
18	L0004370	2	WASHER	
19	L0002219	6	RONDELLA	
20	L0003253	4	HEXAGON BOLT	
21	L0003535	4	PLAIN WASHER	
22	L0003309	2	HEXAGON NUT, TYPE-1	
23	L0004423	2	MIDDLE CONNECTION SUPPORT	



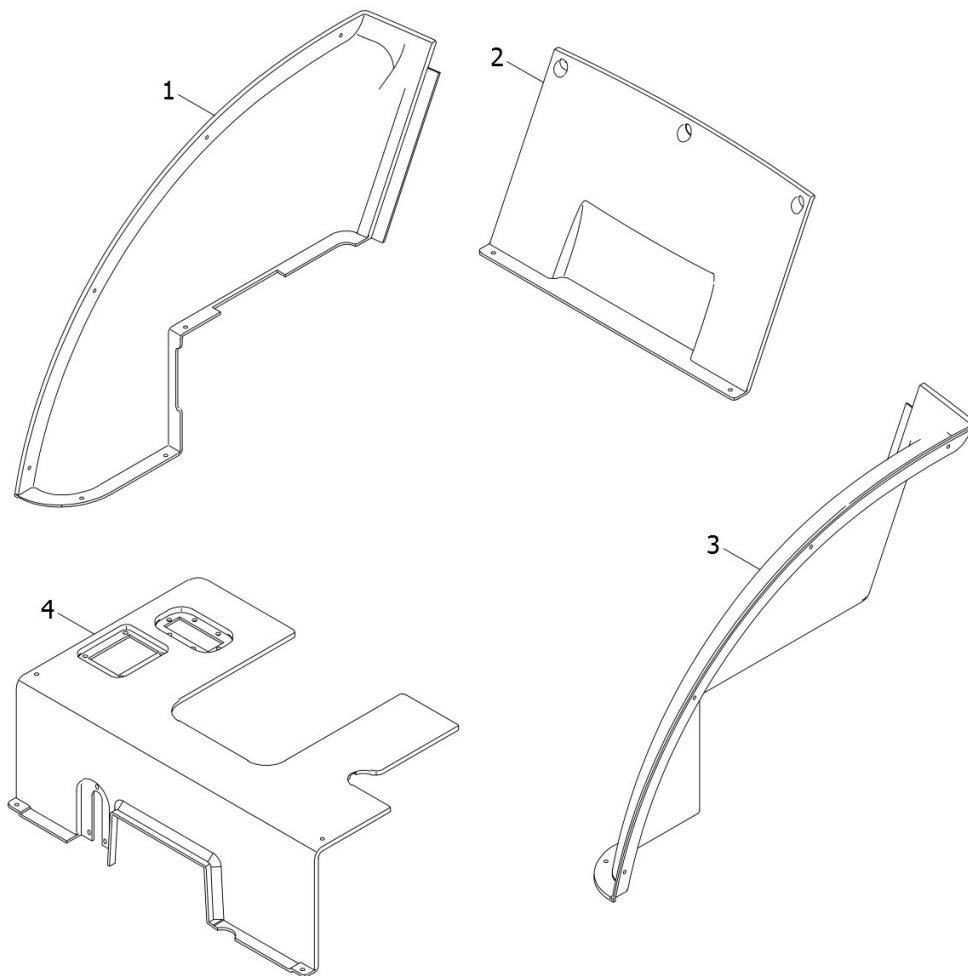


<b>POS</b>	<b>COD</b>	<b>Q.TÀ</b>	<b>DESCRIZIONE</b>	<b>ASSEMBLY NUMBER RANGE</b>
1	L0004372	1	RIGHT REAR CONNECTION WELDING	
2	L0003229	2	HEX BOLT	
3	L0003535	4	PLAIN WASHER	
4	L0004368	2	UPPER DAMPING BLOCK	
5	L0004371	1	LEFT REAR CONNECTION WELDING	
6	L0003253	4	HEXAGON BOLT	
7	L0002219	6	RONDELLA	
8	L0003536	2	FLAT WASHER	
9	L0004369	2	LOWER DAMPING PAD	
10	L0004370	2	WASHER	
11	L0003309	2	HEXAGON NUT, TYPE-1	





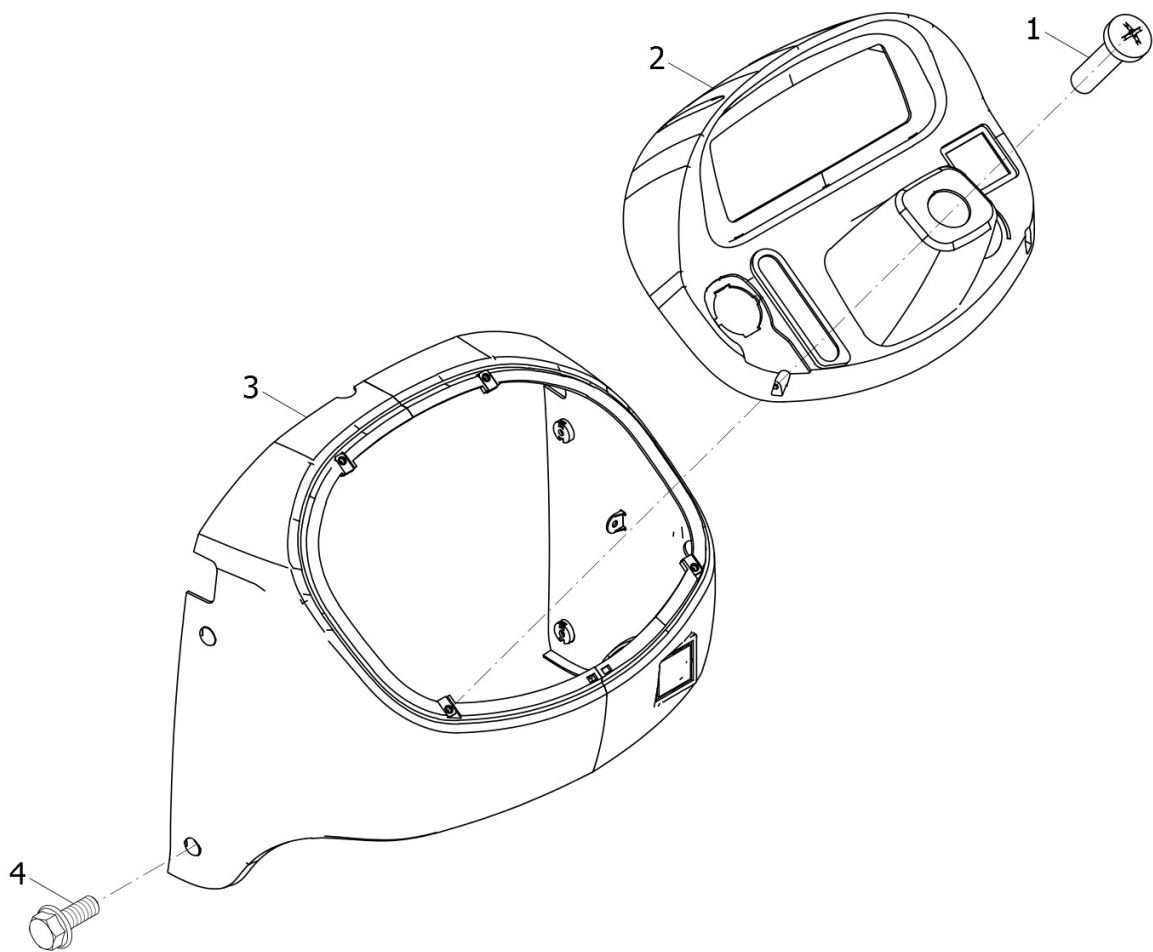
<b>POS</b>	<b>COD</b>	<b>Q.TÀ</b>	<b>DESCRIZIONE</b>	<b>ASSEMBLY NUMBER RANGE</b>
1	L0003232	2	HEX BOLT	
2	L0003524	2	BIG WASHER	
3	L0004362	2	UPPER SHOCK ABSORBER	
4	L0004373	1	LEFT AFTER JOINT WELDING	
5	L0004363	2	LOWER DAMPING BLOCK	
6	L0004364	2	WASHER	
7	L0003351	2	MODEL 1 ALL METAL SIX ANGLE LOCKING NUT	
8	L0003250	8	HEX BOLT	
9	L0003506	8	STANDARD SPRING WASHER	
10	L0004374	1	RIGHT AFTER THE JOINT WELDING	





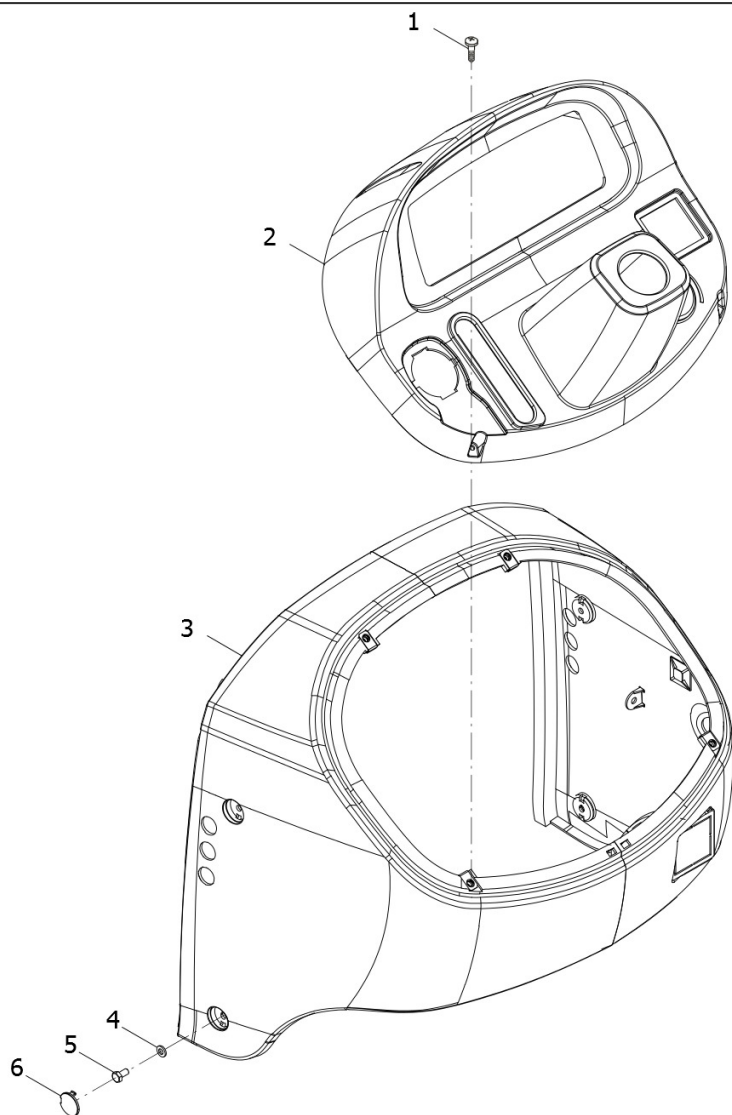
<b>POS</b>	<b>COD</b>	<b>Q.TÀ</b>	<b>DESCRIZIONE</b>	<b>ASSEMBLY NUMBER RANGE</b>
1	L0004081	1	INTERIOR TRIM ASSEMBLY FOR RIGHT FENDER	
2	L0004082	1	REAR TRIM	
3	L0004080	1	LEFT FENDER TRIM ASSEMBLY	
4	L0004083	1	MIDDLE FLOOR MAT	





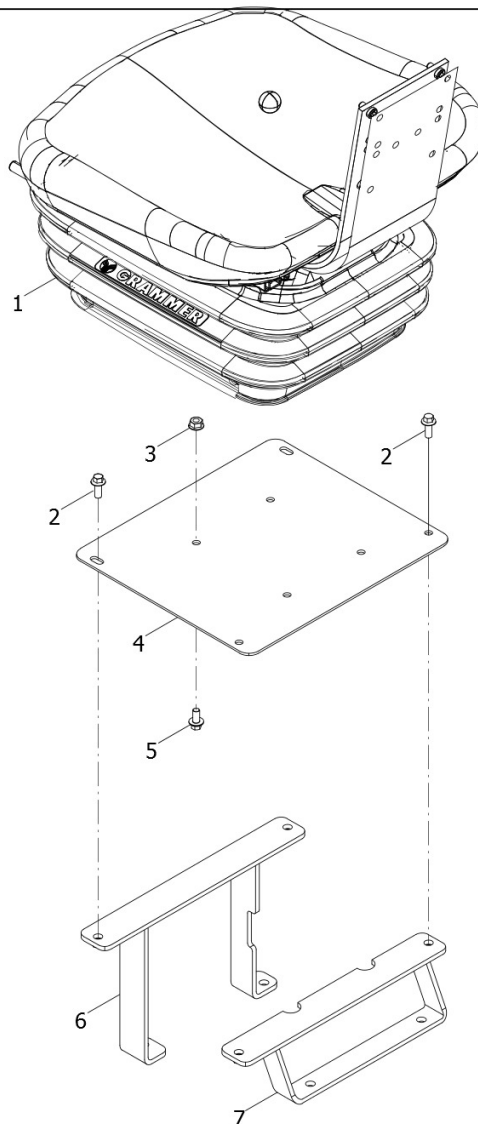


<b>POS</b>	<b>COD</b>	<b>Q.TÀ</b>	<b>DESCRIZIONE</b>	<b>ASSEMBLY NUMBER RANGE</b>
1	L0003382	4	CROSS RECESSED PAN HEAD SCREW	
2	L0004198	1	INSTRUMENT UPPER COVER PLATE	
3	L0004357	1	INSTRUMENT PLATFORM COVER PLATE	
4	L0003124	4	HEXAGON FLANGE NUT	



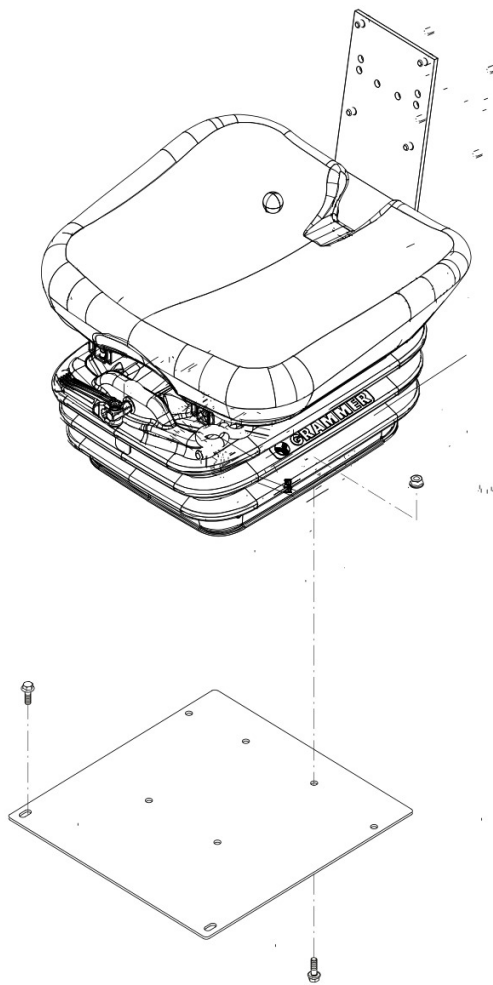


<b>POS</b>	<b>COD</b>	<b>Q.TÀ</b>	<b>DESCRIZIONE</b>	<b>ASSEMBLY NUMBER RANGE</b>
1	L0003382	4	CROSS RECESSED PAN HEAD SCREW	
2	L0004198	1	INSTRUMENT UPPER COVER PLATE	
3	L0004359	1	DASHBOARD LOWER COVER PLATE	
4	L0003548	4	FLAT WASHER	
5	L0003267	4	HEXAGON BOLT	
6	L0004358	4	COVER PLATE CAP UNDER DASHBOARD	





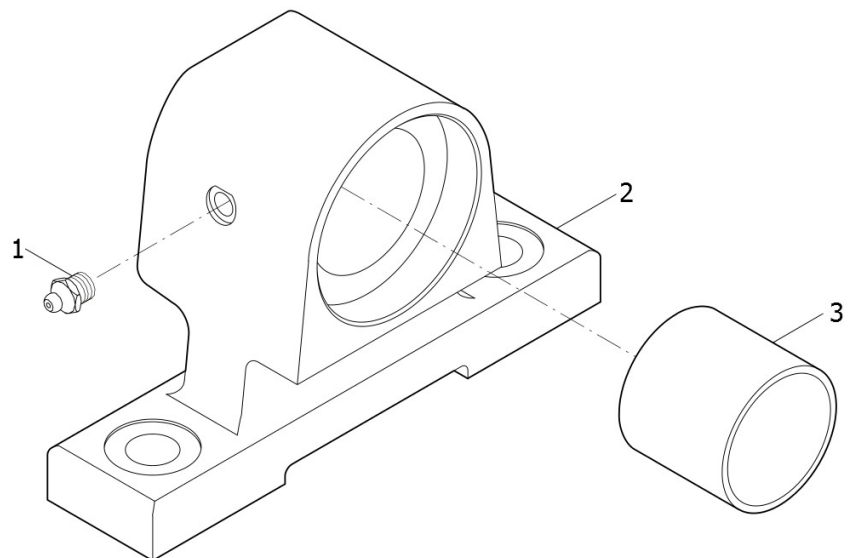
<b>POS</b>	<b>COD</b>	<b>Q.TÀ</b>	<b>DESCRIZIONE</b>	<b>ASSEMBLY NUMBER RANGE</b>
1	L0002966	1	SEAT ASSEMBLY	
2	L0003133	8	HEXAGON FLANGE BOLT	
3	L0003348	4	HEXAGON FLANGE NUT	
4	L0004055	1	SEAT FIXING PLATE	
5	L0003131	4	HEXAGON FLANGE NUT	
6	L0004053	1	IN FRONT OF THE SEAT MOUNTING BRACKET	
7	L0004054	1	AFTER THE INSTALLATION OF SEAT BRACKET	





POS	COD	Q.TÀ	DESCRIZIONE	ASSEMBLY NUMBER RANGE
1	L0002966	1	SEAT ASSEMBLY	
2	L0004052	1	SEAT MOUNTING PLATE	
3	L0003133	4	HEXAGON FLANGE BOLT	
4	L0003131	4	HEXAGON FLANGE NUT	
5	L0003348	4	HEXAGON FLANGE NUT	



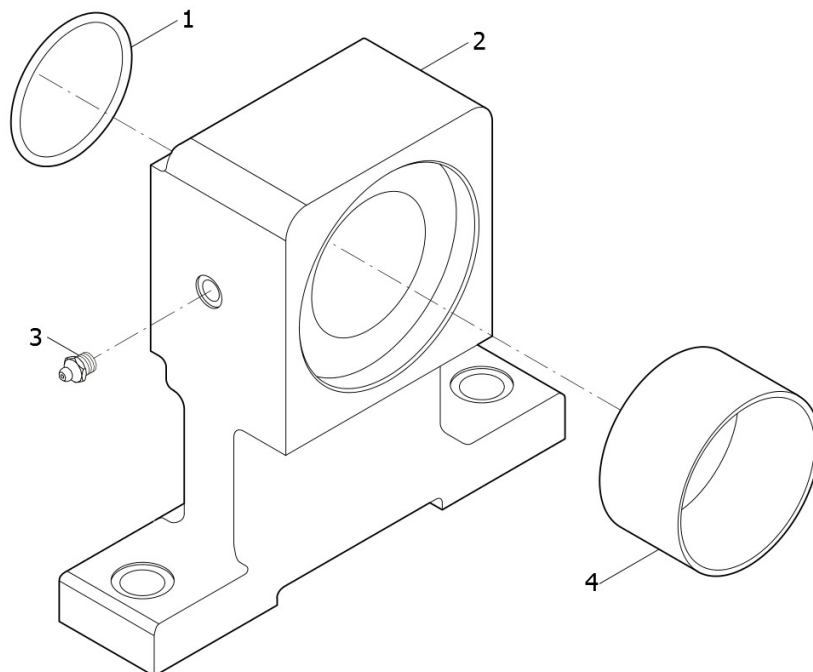




**ARBOS**

2025  
SUPPORTO SEDILE ANTERIORE

POS	COD	Q.TÀ	DESCRIZIONE	ASSEMBLY NUMBER RANGE
1	L0003570	1	OIL CUP	
2	L0002636	1	SLIDING SLEEVE 45X50X45	
3	L0002636	1	SLIDING SLEEVE 45X50X45	

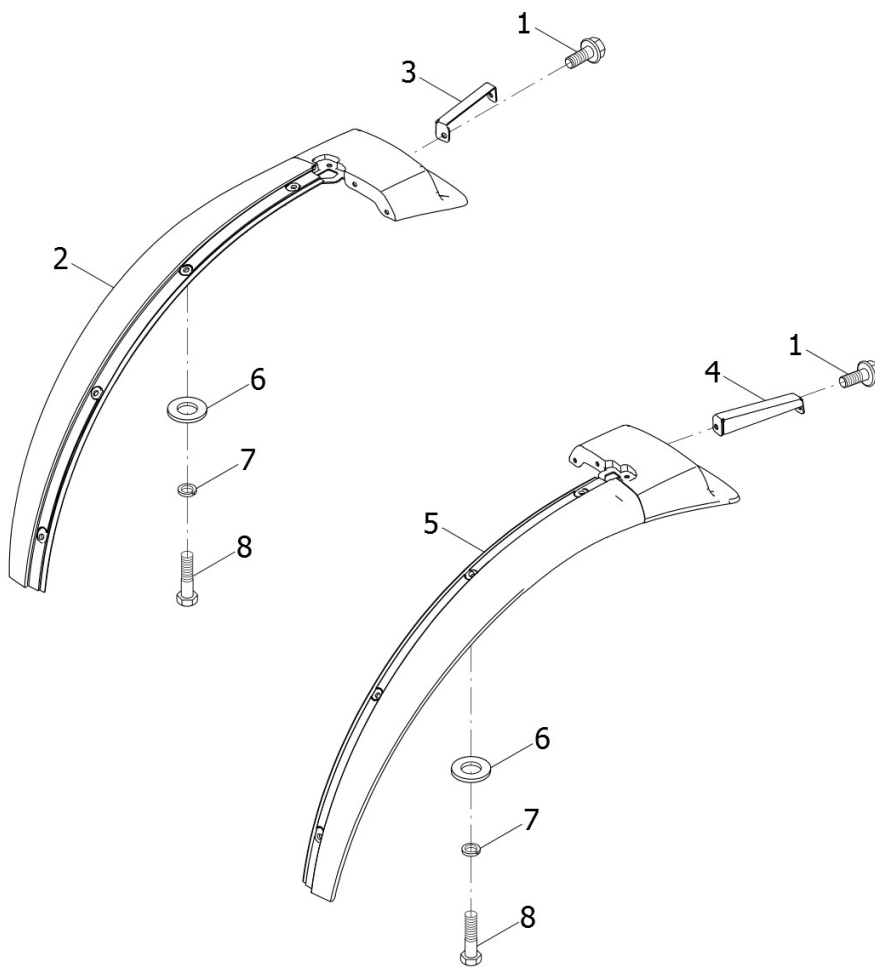




**ARBOS**

2025  
SUPPORTO SEDILE POSTERIORE

POS	COD	Q.TÀ	DESCRIZIONE	ASSEMBLY NUMBER RANGE
1	L0003210	1	O - RING	
2	L0002876	1	REAR SUPPORT STAND	
3	L0003570	1	OIL CUP	
4	L0002662	1	SLIDING SLEEVE 70X75X40	

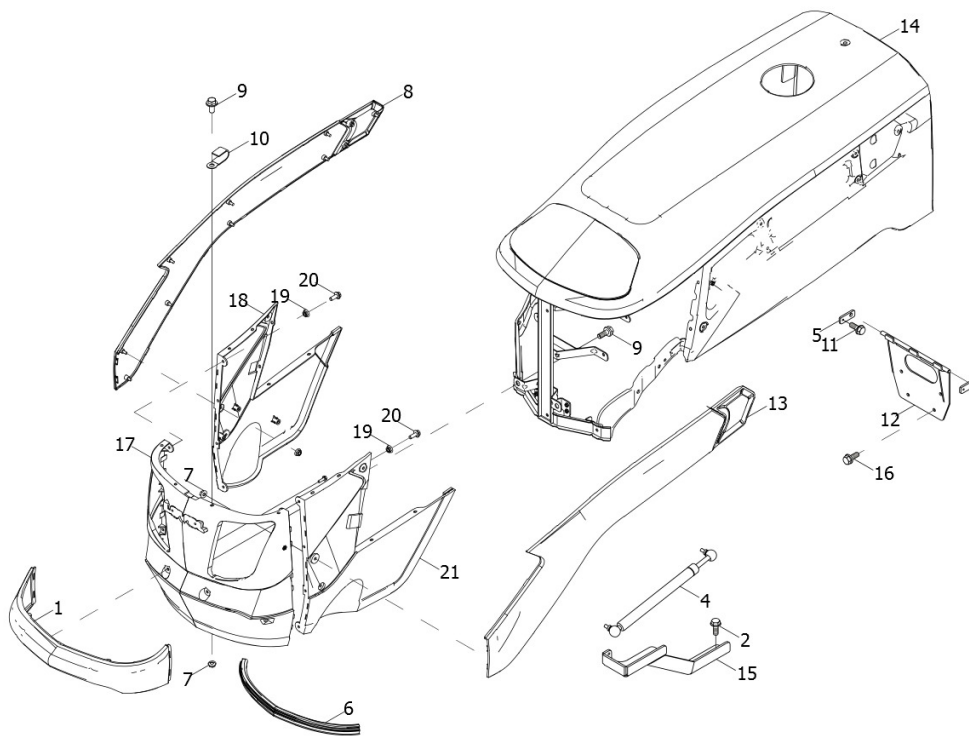




**ARBOS**

2025  
PARAFANGHI POSTERIORI

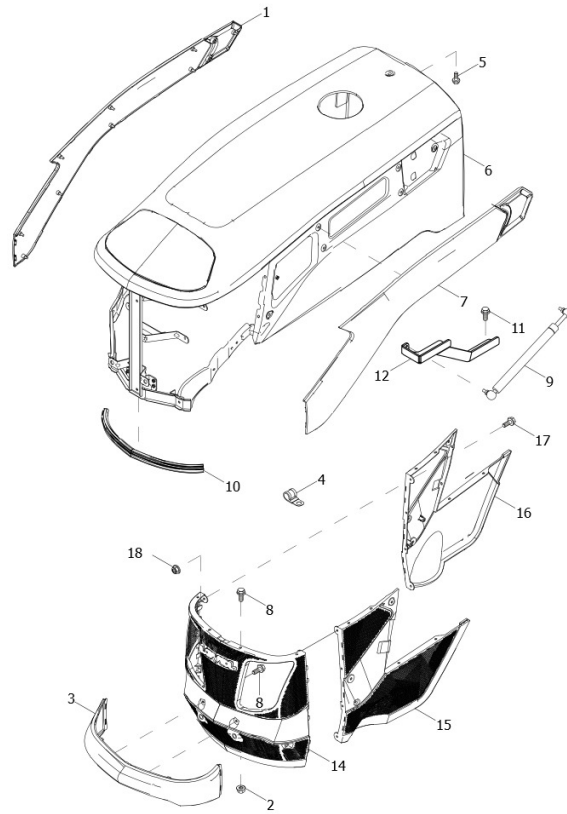
POS	COD	Q.TÀ	DESCRIZIONE	ASSEMBLY NUMBER RANGE
1	L0003123	4	HEXAGON FLANGE NUT	
2	L0004356	1	RIGHT REAR FENDER TRIM	
3	L0004355	1	REAR MUDGUARD RIGHT BRACKET	
4	L0004354	1	REAR FENDER LEFT BRACKET	
5	L0004353	1	LEFT REAR FENDER TRIM	
6	L0003529	8	BIG WASHER	
7	L0003515	8	STANDARD SPRING WASHER	
8	L0003270	8	HEXAGON BOLT	





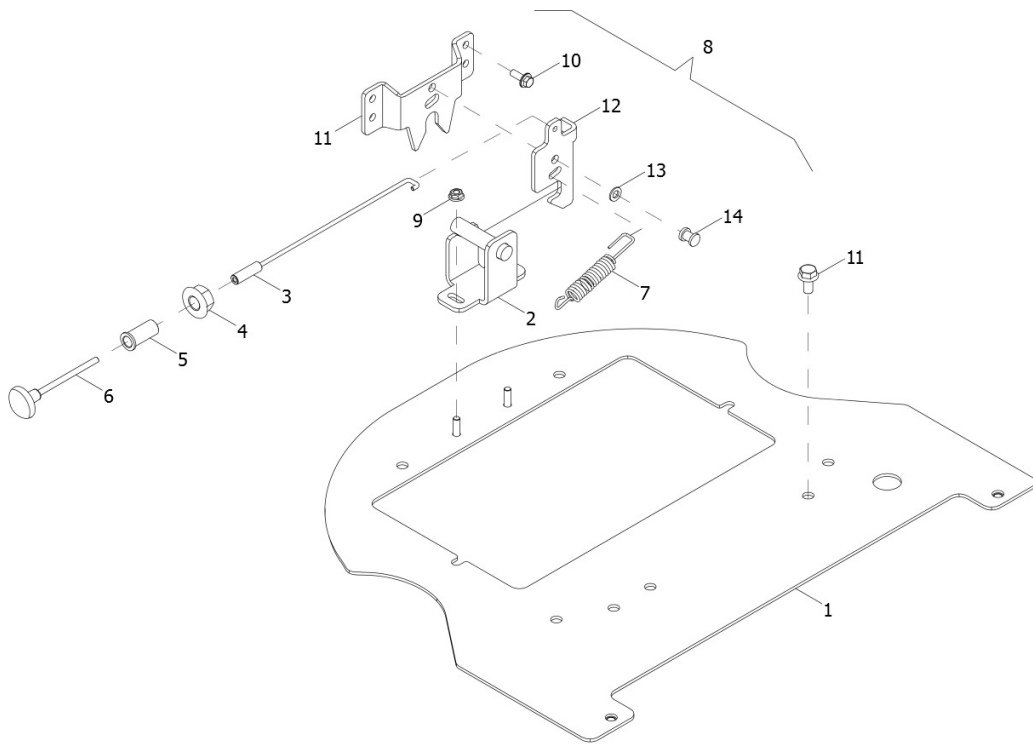
POS	COD	Q.TÀ	DESCRIZIONE	ASSEMBLY NUMBER RANGE
1	L0004382	1	THE HOOD FRONT DECORATIVE BOARD	
2	L0003107	2	HEX BOLT WITH FLANGE	
3	L0004090	1	THE HOOD FRONT MESH PLATE SMALL ASSEMBLY	
4	L0004386	1	COVER GAS SPRING ASSEMBLY	
5	L0004387	2	HINGE PIN SHAFT BLOCK	
6	L0004385	1	UNDER THE HOOD FRONT BUFFER STRIP	
7	L0003346	34	HEXAGON FLANGE NUT	
8	L0004384	1	RIGHT FRONT HOOD TRIM	
9	L0003122	25	HEXAGON FLANGE BOLT	
10	L0002506	3	HARNESS FIXING CLAMP (1)	
11	L0003123	2	HEXAGON FLANGE NUT	
12	L0004388	1	THE HINGE CONNECTION TRANSITION PLATE	
13	L0004383	1	HOOD LEFT FRONT TRIM	
14	L0004088	1	THE HOOD BODY WELDING	
15	L0004087	1	GAS SPRING BRACKET	
16	L0003131	4	HEXAGON FLANGE NUT	
17	L0004089	1	FRONT HOOD MESH PLATE	
18	L0004618	1	RIGHT FRONT HOOD MESH PLATE	
19	L0003346	8	HEXAGON FLANGE NUT	
20	L0003123	8	HEXAGON FLANGE NUT	
21	L0004617	1	LEFT FRONT HOOD MESH PLATE	





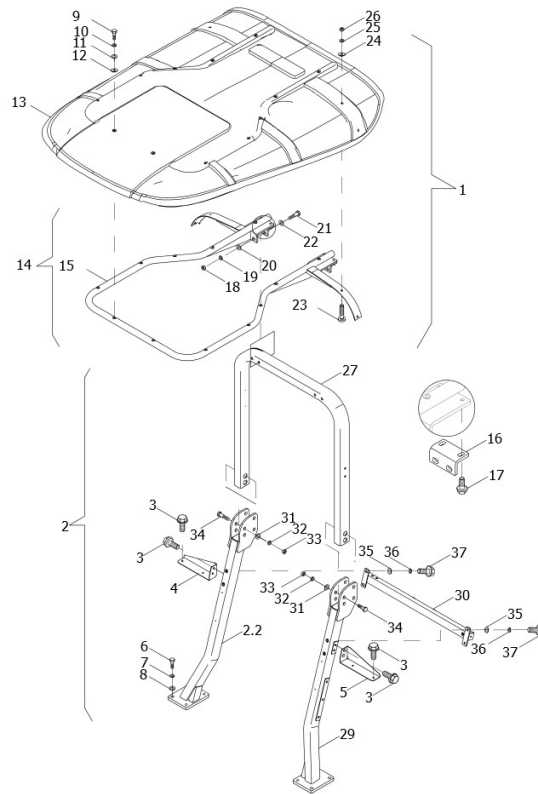


POS	COD	Q.TÀ	DESCRIZIONE	ASSEMBLY NUMBER RANGE
1	L0004384	1	RIGHT FRONT HOOD TRIM	
2	L0003346	34	HEXAGON FLANGE NUT	
3	L0004382	1	THE HOOD FRONT DECORATIVE BOARD	
4	L0002506	3	HARNESS FIXING CLAMP (1)	
5	L0003131	4	HEXAGON FLANGE NUT	
6	L0004091	1	THE HOOD BODY WELDING	
7	L0004383	1	HOOD LEFT FRONT TRIM	
8	L0003122	25	HEXAGON FLANGE BOLT	
9	L0004386	1	COVER GAS SPRING ASSEMBLY	
10	L0004385	1	UNDER THE HOOD FRONT BUFFER STRIP	
11	L0003107	2	HEX BOLT WITH FLANGE	
12	L0004087	1	GAS SPRING BRACKET	
13	L0004090	1	THE HOOD FRONT MESH PLATE SMALL ASSEMBLY	
14	L0004089	1	FRONT HOOD MESH PLATE	
15	L0004617	1	LEFT FRONT HOOD MESH PLATE	
16	L0004618	1	RIGHT FRONT HOOD MESH PLATE	
17	L0003123	8	HEXAGON FLANGE NUT	
18	L0003346	8	HEXAGON FLANGE NUT	



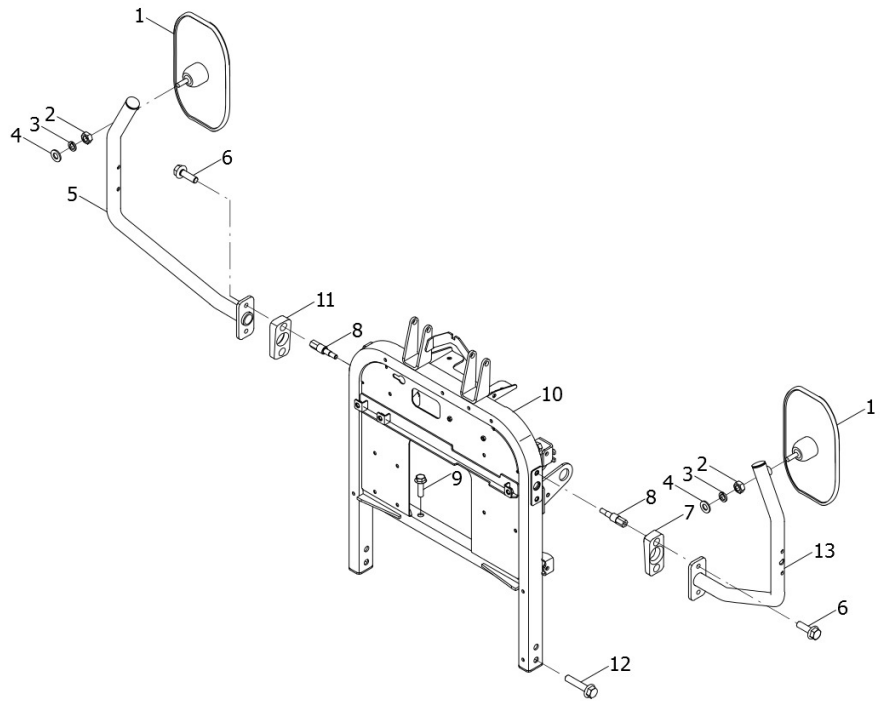


POS	COD	Q.TÀ	DESCRIZIONE	ASSEMBLY NUMBER RANGE
1	L0004098	1	PLATE WELDING	
2	L0004393	1	LOCK CYLINDER WELDING	
3	L0004097	1	WELDING ROD	
4	L0003343	1	HEXAGON NUT WITH FLANGE	
5	L0004093	1	THE GUIDE SLEEVE	
6	L0004395	1	PULL ROD	
7	L0004390	1	HOOD LOCK SPRING	
8	L0004094	1	HOOD LOCK ASSEMBLY	
9	L0003346	2	HEXAGON FLANGE NUT	
10	L0003123	4	HEXAGON FLANGE NUT	
11	L0003299	4	HEXAGON FLANGE BOLT	
11	L0004095	1	LOCK PLATE	
12	L0004096	1	LOCK HOOK	
13	L0004593	1	SHIM	
14	L0004391	1	RIVET	





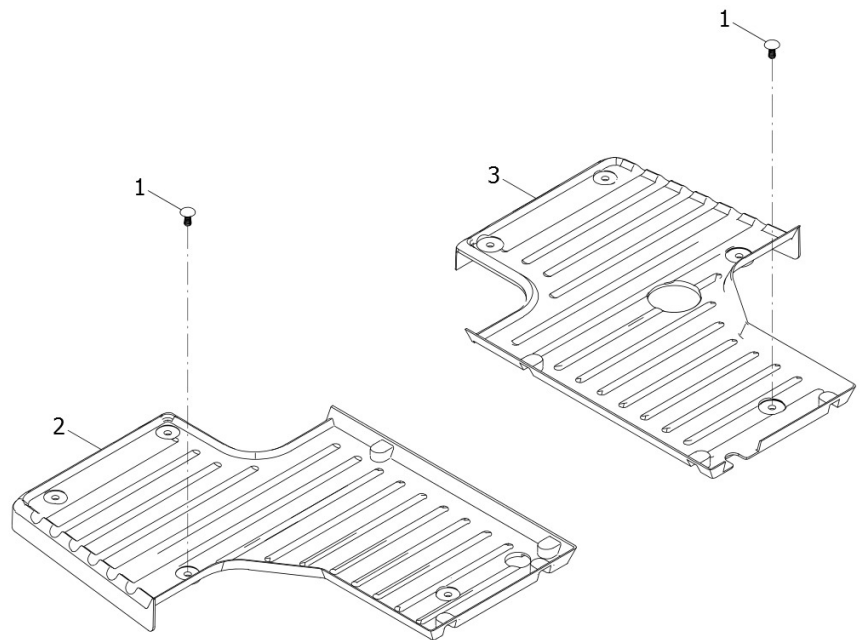
POS	COD	Q.TÀ	DESCRIZIONE	ASSEMBLY NUMBER RANGE
1	L0002962	1	SHADOW	
2	L0004377	1	SAFETY FRAME MOUNTING ASSEMBLY	
3	L0003131	8	HEXAGON FLANGE NUT	
4	L0004376	1	RIGHT LACING WIRE	
5	L0004375	1	LEFT LACING WIRE	
6	L0003256	8	HEXAGON BOLT	
7	L0003506	8	STANDARD SPRING WASHER	
8	L0003523	8	BIG WASHER	
9	L0003270	12	HEXAGON BOLT	
10	L0002337	12	STANDARD SPRING WASHER	
11	L0003547	12	PLAIN WASHER	
12	L0003899	12	RUBBER WASHER	
13	L0002962	1	SHADOW	
14	L0003827	1	SUNSHADE FIXED FRAME SUPPLY ASSEMBLY	
15	L0003826	1	SUNSHADE FIXED FRAME WELDMENT	
16	L0003828	2	FIXING BRACKET	
17	L0003301	4	HEXAGON FLANGE BOLT	
18	L0003309	4	HEXAGON NUT, TYPE-1	
19	L0002219	4	RONDELLA	
20	L0003523	4	BIG WASHER	
21	L0003226	4	HEXAGON BOLT	
22	L0003535	4	PLAIN WASHER	
23	L0003375	4	CROSS SCREW	
24	L0002616	4	WASHER UNIT	
25	L0003504	4	WASHER	
26	L0003307	4	HEXAGON NUT, TYPE-1	
27	L0004378	1	SAFETY WELDING TOP OF THE FRAME	
28	L0004379	1	SAFETY STAND LEFT COLUMN WELDING	
29	L0004380	1	SAFETY RIGHT COLUMN WELDING	
30	L0004381	1	CONNECT BEAM WELDING ASSEMBLY	
31	L0003540	6	FLAT WASHER	
32	L0003510	6	STANDARD SPRING WASHER	
33	L0003312	6	HEXAGON NUT, TYPE-1	
34	L0003231	6	HEX BOLT	
35	L0003534	4	FLAT WASHER	
36	L0003505	4	STANDARD SPRING WASHER	
37	L0003244	4	HEXAGON BOLT	





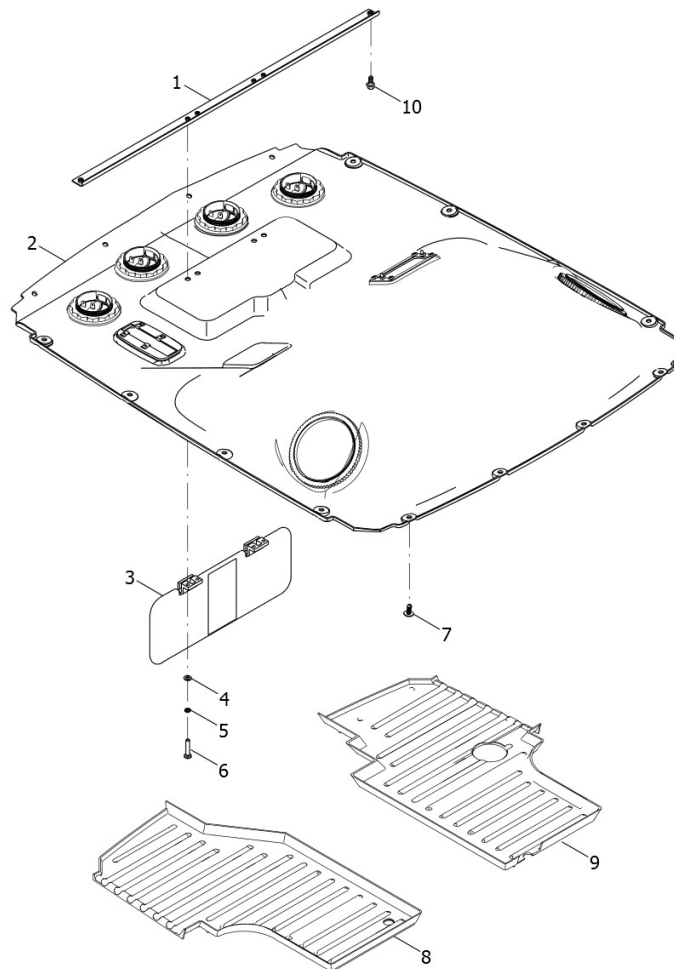
POS	COD	Q.TÀ	DESCRIZIONE	ASSEMBLY NUMBER RANGE
1	L0000887	2	MONTAGGIO SPECCHIETTO RETROVISORE	
2	L0003320	2	HEXAGON NUT, TYPE-1	
3	L0002122	2	RONDELLA STANDARD	
4	L0003551	2	FLAT WASHER	
5	L0004399	1	RIGHT REARVIEW MIRROR MOUNTING BRACKET WELDING	
6	L0003302	4	HEXAGON FLANGE BOLT	
7	L0004199	1	REARVIEW MIRROR BOLT LEFT COVER	
8	L0004397	4	REARVIEW MIRROR INSTALLATION OF SPECIAL BOLTS	
9	L0003291	2	HEX BOLT WITH FLANGE	
10	L0004396	1	LONGMEN FRAME WELDING	
11	L0004200	1	REAR MIRROR BOLT RIGHT SHEATH	
12	L0003303	4	HEX BOLT WITH FLANGE	
13	L0004398	1	LEFT REARVIEW MIRROR MOUNTING BRACKET WELDING	







POS	COD	Q.TÀ	DESCRIZIONE	ASSEMBLY NUMBER RANGE
1	L0002143	8	PLASTIC SPLIT PIN	
2	L0004351	1	LEFT FLOOR MAT	
3	L0004352	1	RIGHT FLOOR MAT	





POS	COD	Q.TÀ	DESCRIZIONE	ASSEMBLY NUMBER RANGE
1	L0004349	1	THE SUN VISOR ASSEMBLY PLATE	
2	L0004350	1	TOP TRIM	
3	L0004348	1	SUN VISOR	
4	L0003546	4	FLAT WASHER	
5	L0003513	4	STANDARD SPRING WASHER	
6	L0003383	4	CROSS SCREW	
7	L0002143	16	PLASTIC SPLIT PIN	
8	L0004084	1	LEFT FLOOR MAT	
9	L0004085	1	RIGHT FLOOR MAT	
10	L0003124	2	HEXAGON FLANGE NUT	



ARBOS

2025  
DECALCOMANIE COFANO

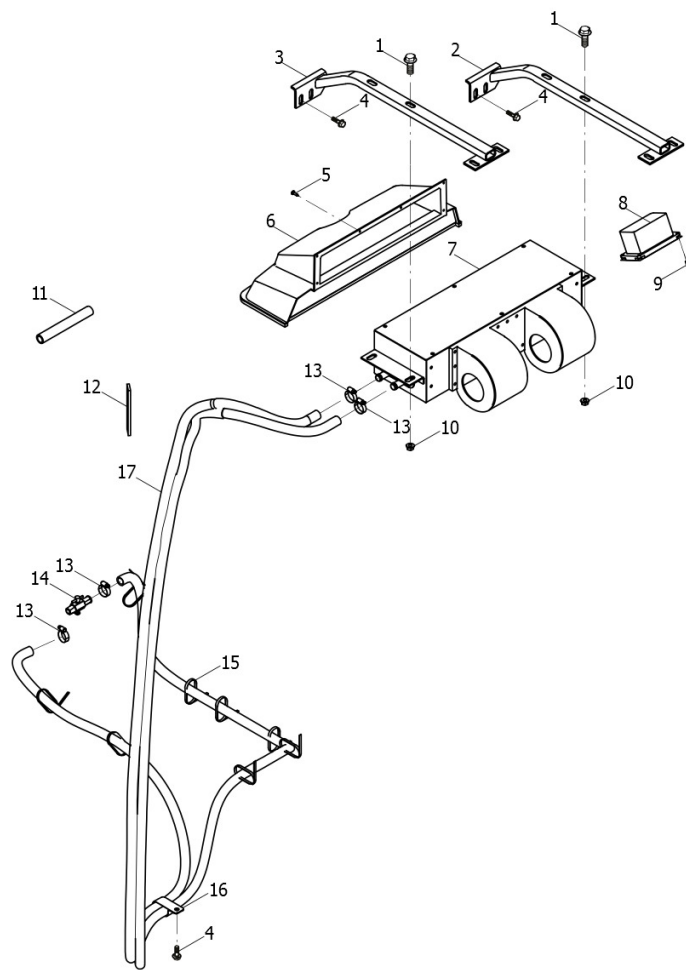




**ARBOS**

2025  
DECALCOMANIE COFANO

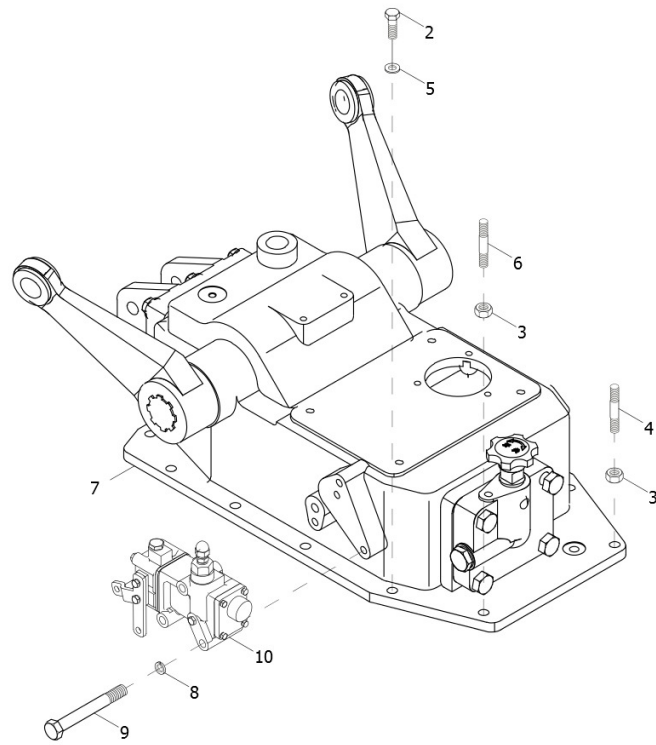
POS	COD	Q.TÀ	DESCRIZIONE	ASSEMBLY NUMBER RANGE
1	L0005078	1	DECALCOMANIA SX. 2025	
2	L0005079	1	DECALCOMANIA DX. 2025	





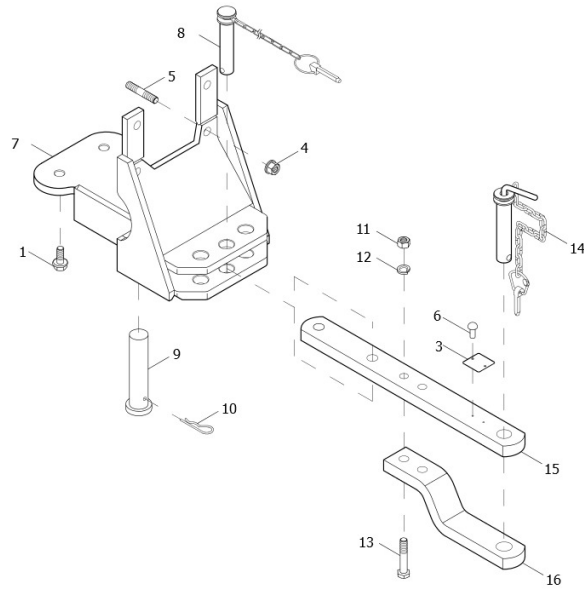
POS	COD	Q.TÀ	DESCRIZIONE	ASSEMBLY NUMBER RANGE
1	L0003136	8	HEX BOLT WITH FLANGE	
2	L0004167	1	RIGHT EVAPORATOR ASSEMBLY	
3	L0004168	1	LEFT MOUNTING ASSEMBLY WELDING BEAM EVAPORATOR	
4	L0003133	5	HEXAGON FLANGE BOLT	
5	L0003400	6	PAN HEAD TAPPING SCREW WITH CROSS RECESSED	
6	L0004171	1	AIR DUCT	
7	L0004165	1	HEATER UNIT ASSEMBLY	
8	L0004166	1	CONTROL PANEL	
9	L0003396	4	COUNTERSUNK FLAT HEAD SCREW WITH CROSS RECESS	
10	L0003348	4	HEXAGON FLANGE NUT	
11	L0003868	1	HEATER RETURN PIPE	
12	L0004170	1	PASTE THE FILM	
13	L0002537	4	C-TYPE WORM TRANSMISSION HOSE CLAMP	
14	L0002313	1	HEATER WATER INLET VALVE	
15	L0003579	8	PLASTIC FASTENING STRIP	
16	L0002466	1	LOCKING CLAMP	
17	L0004169	1	HEATING OUTLET PIPE	





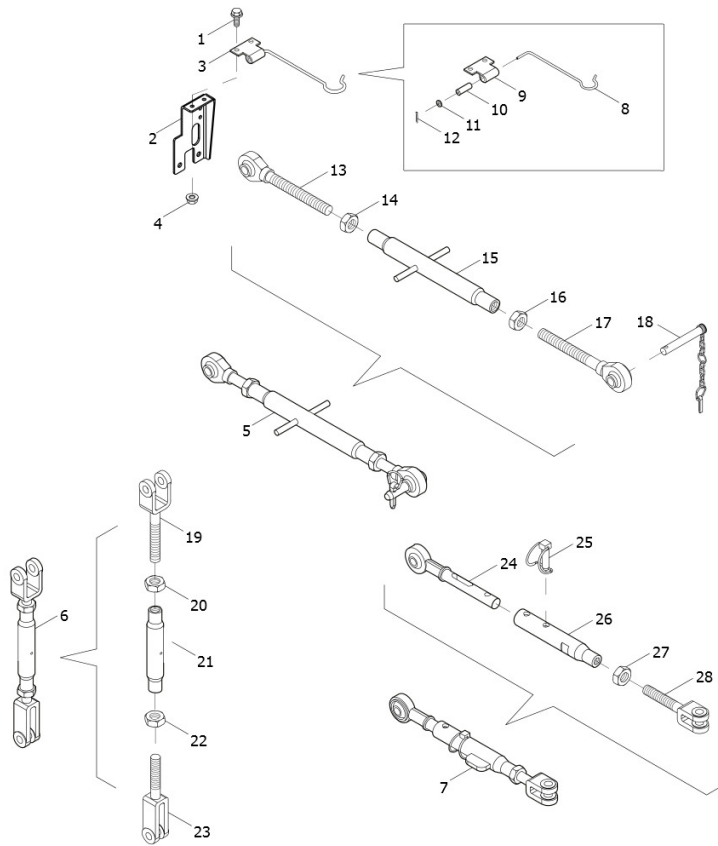


<b>POS</b>	<b>COD</b>	<b>Q.TÀ</b>	<b>DESCRIZIONE</b>	<b>ASSEMBLY NUMBER RANGE</b>
1	L0003901	1	LIFTING DEVICE ASSEMBLY	
2	L0003241	10	HEX HEAD BOLT	
3	L0003306	2	TYPE 1 HEXAGON NUT	
4	L0003480	1	STUD	
5	L0002369	12	WASHER	
6	L0003481	1	STUD	
7	L0004406	1	LIFTER ASSEMBLY	
8	L0003505	3	STANDARD SPRING WASHER	
9	L0003225	3	HEX BOLT	
10	L0004412	1	DISPENSER ASSEMBLY	



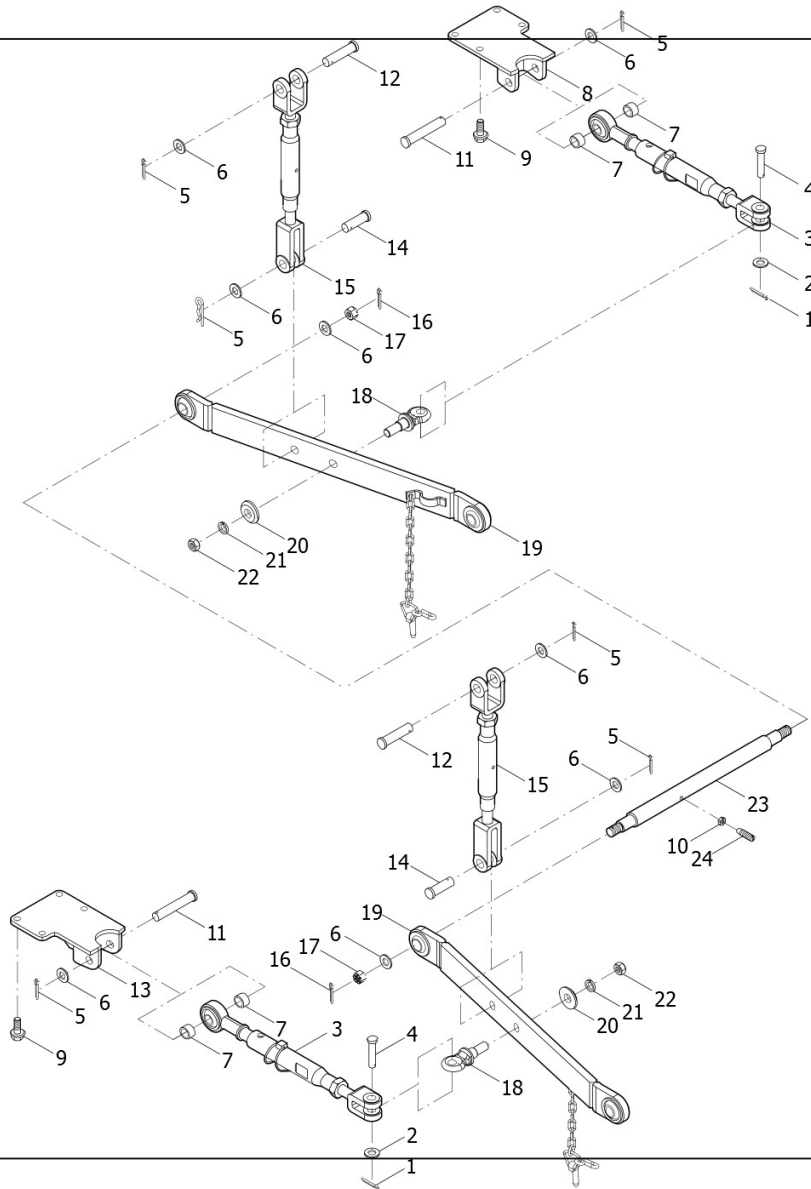


POS	COD	Q.TÀ	DESCRIZIONE	ASSEMBLY NUMBER RANGE
1	L0003023	2	HEXAGONAL FLANGE BOLTS	
2	L0002949	1	TRACTION DEVICE ASSEMBLY	
3	L0003886	1	TRACTION SIGN	
4	L0002416	4	HEXAGON NUT	
5	L0003071	4	STUD STUDS	
6	L0003062	2	SIGN RIVETS	
7	L0001659	1	SUPPORTO BARRA TRAINO	
8	L0001367	1	COMPLESSO PERNO	
9	L0000208	1	PERNO	
10	L0000610	1	PERNO BLOCCAGGIO	
11	L0003054	2	TYPE 1 HEXAGON NUT	
12	L0003075	2	NORMAL TYPE SINGLE COIL SPRING LOCK WASHER	
13	L0003041	2	HEX BOLT	
14	L0002228	1	TOWING PIN AND LOCK PIN ASSY	
15	L0002905	1	SWING ROD	
16	L0002227	1	CONNECTING SWING ROD	





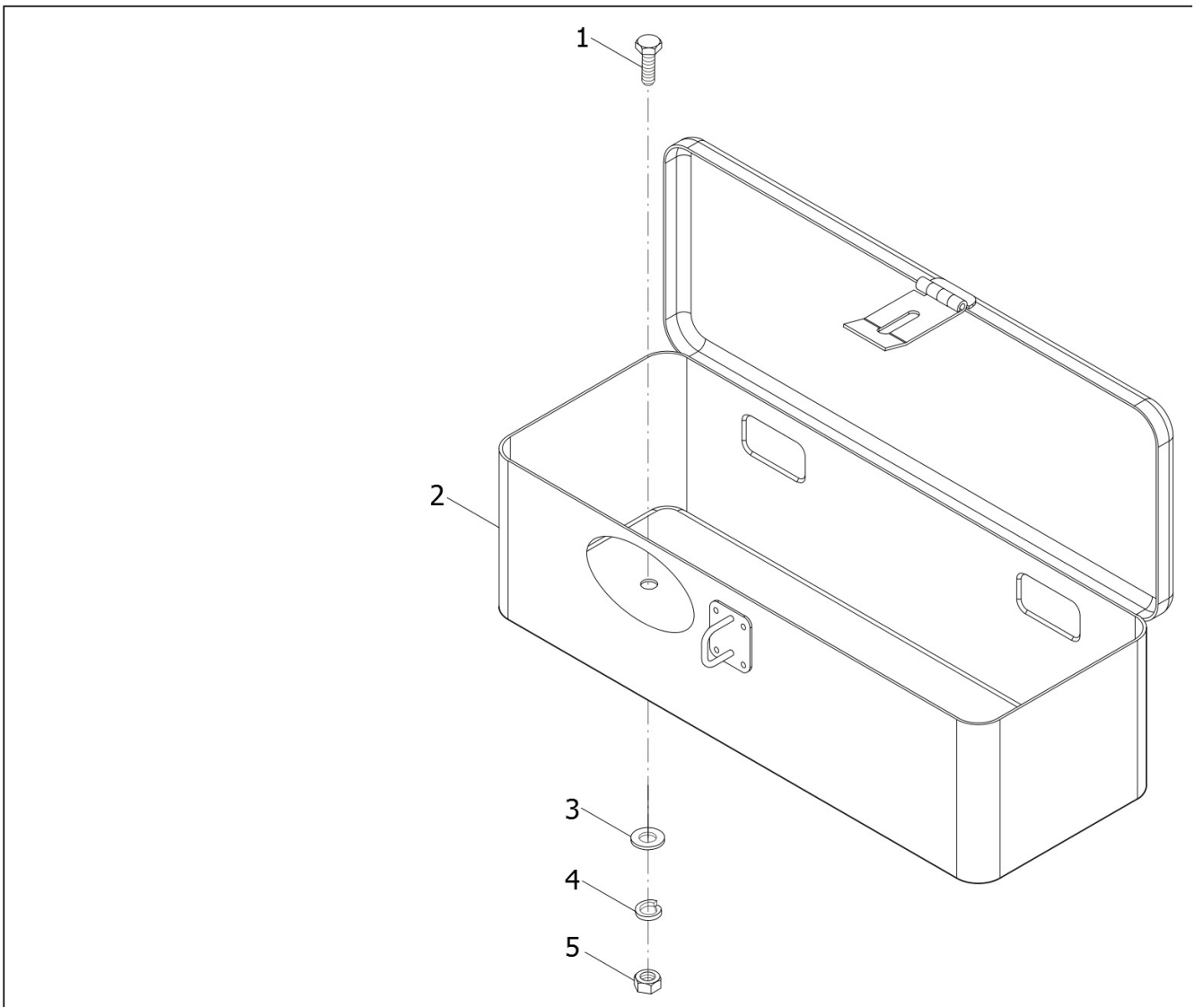
POS	COD	Q.TÀ	DESCRIZIONE	ASSEMBLY NUMBER RANGE
1	L0003133	2	HEXAGON FLANGE BOLT	
2	L0004197	1	UPPER TIE ROD FIXED CARD COMBINATION BRACKET	
3	L0004408	1	TIE ROD FIXED CARD COMBINATION	
4	L0003348	2	HEXAGON FLANGE NUT	
5	L0000292	1	COMPLESSO TIRANTE SUPERIORE	
6	L0001697	2	COMPLESSO ASTA DI SOLLEVAMENTO	
7	L0001698	2	COMPLESSO ASTA DI LIVELLO	
8	L0004407	1	FASTENER FIXED CARD	
9	L0004181	1	FIXING SEAT	
10	L0004182	1	NYLON BUSH	
11	L0003528	1	BIG WASHER	
12	L0003489	1	SPLIT PIN	
13	L0002768	1	ADJUSTING ROD ASSEMBLY BEFORE DRAWING ROD	
14	L0003329	1	TYPE 1 HEXAGON NUT	
15	L0002869	1	THE ADJUSTING SCREW PIPE WELDING	
16	L0003330	1	TYPE 1 HEXAGON NUT	
17	L0002797	1	ADJUSTING ROD ASSEMBLY AFTER PULLING ROD	
18	L0002686	1	LOCK CHAIN ASSEMBLY	
19	L0004176	1	THE LIFTING ROD IS CONNECTED WITH THE FORK	
20	L0004177	1	TRAPEZOID NUT TR22X2	
21	L0004174	1	SPIRAL TUBE	
22	L0004178	1	LEVOTRAPEZOID NUT TR22X2	
23	L0004175	1	HOISTING ROD	
24	L0002741	1	TELESCOPIC ROD HEAD ASSEMBLY	
25	L0000499	1	COMPLESSO PERNO	
26	L0004179	1	TELESCOPIC CATHETER	
27	L0003315	1	TYPE 1 HEXAGON NUT	
28	L0004180	1	LIMIT POLE ADJUSTING SCREW	





POS	COD	Q.TÀ	DESCRIZIONE	ASSEMBLY NUMBER RANGE
1	L0002598	2	SPLIT PIN	
2	L0003541	2	PLAIN WASHER	
3	L0001698	2	COMPLESSO ASTA DI LIVELLO	
4	L0003438	2	PIN SHAFT	
5	L0003495	6	COTTER PIN	
6	L0003543	8	FLAT WASHER	
7	L0001962	4	BOCCOLA	
8	L0002854	1	THE WELDING ROD BRACKET RIGHT	
9	L0003118	8	HEX BOLT WITH FLANGE	
10	L0003335	1	HEXAGON THIN NUT	
11	L0001702	2	PERNO DI BIELLA	
12	L0000500	2	PERNO	
13	L0002855	1	LEFT LIMIT WELDING ROD BRACKET	
14	L0001700	2	PERNO DI BIELLA	
15	L0001697	2	COMPLESSO ASTA DI SOLLEVAMENTO	
16	L0003500	2	COTTER PIN	
17	L0003350	2	HEXAGON SLOTTED NUT, STYLE 1	
18	L0001703	2	PERNO	
19	L0001696	2	COMPLESSO TIRANTE INFERIORE	
20	L0001963	2	PIATTO	
21	L0003510	2	STANDARD SPRING WASHER	
22	L0003313	2	HEXAGON NUT, TYPE-1	
23	L0001701	1	TIRANTE ALBERO	
24	L0002433	1	STOP SCREW	







<b>POS</b>	<b>COD</b>	<b>Q.TÀ</b>	<b>DESCRIZIONE</b>	<b>ASSEMBLY NUMBER RANGE</b>
1	L0003220	2	BOLT	
2	L0002846	1	TOOLBOX ASSEMBLY	
3	L0003552	2	WASHER	
4	L0003518	2	WASHER	
5	L0003321	2	NUTS	