

(TB3SA754-003C)

CONTENTS

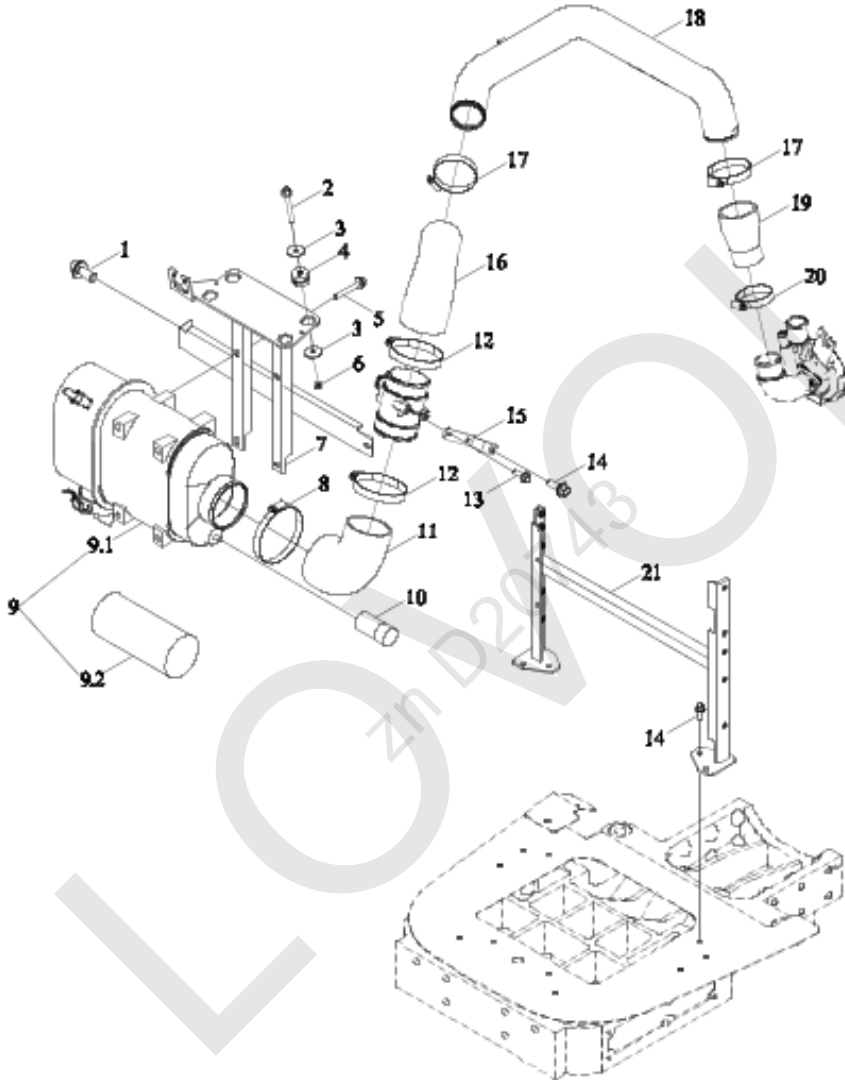
◆ TB3S110030000K MANIFOLDS & INDUCTION SYSTEM.....	1
◆ TB3S131030000K RADIATOR.....	5
◆ TB3S132020000K SUBPLATE.....	12
◆ TB1S211030000K CLUTCH ASSEMBLY.....	15
◆ TB1S212010000K CLUTCH CONTROL ASSEMBLY.....	21
◆ TB3S220040000K Exhaust and aftertreatment assembly	25
◆ TY3S311020000K FRONT DRIVE AXLE ASSEMBLY.....	29
◆ TB3S312040000K BRACKET ASSEMBLY.....	51
◆ TB3S320040000K FRONT DRIVING WHEEL ASSEMBLY.....	54
◆ TB3S340050000K REAR DRIVING WHEEL ASSEMBLY.....	57
◆ TB1S350010000K TRACTION.....	60
◆ TB3S371020000K GEARBOX HOUSING.....	63
◆ TB3S372020000K MAIN GEARSHIFT ASSEMBLY.....	66
◆ TB3S373010000 AUXILIARY TRANSMISSION.....	73
◆ TB3S374020000K CONTROL MECHANISM ASSEMBLY (GEARSHIFT)	79
◆ TM3B375010000K BREATHING APPARATUS.....	90
◆ TB704. 381 SHUTTLE GEARSHIFT ASSEMBLY.....	93
◆ TB3S382050000K CENTRAL TRANSMISSION ASSEMBLY (REAR AXLE)	97
◆ TS04383010000 CONTROL MECHANISM ASSEMBLY (DIFFERENTIAL)	104
◆ TB3S384030000K HOUSING ASSEMBLY (REAR AXLE)	108
◆ TS04385020000 CONTROL MECHANISM ASSEMBLY (SHUTTLE SHIFT)	112

◆ TB3S391020000K FINAL REDUCTION-LEFT.....	116
◆ TB3S392020000K FINAL REDUCTION-RIGHT.....	120
◆ TB3S401040000K STEERING PLATE AND STEERING PIPE COLUMN ASSEMBLY.....	124
◆ TB3S402090000K STEERING PIPE ASSEMBLY.....	127
◆ TB3S403030000K CONTROL PIPE ASSEMBLY (LOW PRESSURE)	131
◆ TB4S411010000K GEAR ASSEMBLY (PTO)	141
◆ TB1S413010000K CONTROL ASSEMBLY (PTO)	149
◆ TB1S414010000K SHIELD (PTO)	153
◆ TB3S421030000K DROP GEAR BOX.....	156
◆ TB3S422040000K DRIVE ASSEMBLY (DROP GEAR BOX)	160
◆ TB3S431030000K BRAKE ASSEMBLY-LEFT.....	164
◆ TB3S432030000K BRAKE ASSEMBLY-RIGHT.....	167
◆ TB3S433030000K CONTROL MECHANISM ASSEMBLY (BRAKE)	170
◆ TB1S440010000K SEAT MOUNTING ASSEMBLY.....	182
◆ TB3S451010000K CAB ASSEMBLY.....	185
◆ TB3S453040000K INTERIOR ASSEMBLY.....	223
◆ TS04455040000 TRIM ASSEMBLY (REAR FENDER)	229
◆ TB3S456020000K COWL.....	232
◆ TS04457010000 FRONT CONNECTING ASSEMBLY.....	235
◆ TS04458010000 REAR CONNECTION ASSEMBLY.....	238
◆ TS04459010000 INSULATION LAYER.....	241
◆ TB3S471040000K HOOD ASSEMBLY.....	244
◆ TB1S473010000K LOCKING ASSEMBLY (HOOD)	253
◆ TB3S475020000K HOOD SEAL ASSEMBLY.....	256

◆ TB3S481010000K WIRING HARNESS.....	259
◆ TB3S482020000K WIRING HARNESS.....	262
◆ TB1S483030000K WIRING HARNESS-FRONT.....	267
◆ TB1S484010000K WIRING HARNESS-REAR.....	270
◆ TB3S485010000K BATTERY ASSEMBLY.....	274
◆ TB1S486020000K WIRING HARNESS.....	277
◆ TB3S487050000K INSTRUMENT CLUSTER.....	281
◆ TM3B490020000K TOOL BOX.....	284
◆ TB1S501040000K OIL TANK.....	287
◆ TB3S503020000K OIL CONVEYING PIPE ASSEMBLY.....	293
◆ TB1S530010000K TOWING ADJUSTING.....	296
◆ TM3B551020004K-13001200010.....	299
◆ TB1S552030000 CONTROL ASSEMBLY (LIFTER)	310
◆ TB3S561040000K SUSPENSION ASSEMBLY.....	314
◆ TB3S581090000K OIL PUMP-PIPE-FILTER ASSEMBLY.....	323
◆ TB3S582110000K OIL PIPE ASSEMBLY (MULTI-WAY VALVE)	328
◆ TE3S620010000K SAFETY BELT ASSEMBLY.....	336
◆ TB3S741020000K COUNTERWEIGHT-FRONT.....	339
◆ TB3S742020000 SUPPORT-FRONT.....	342
◆ TB3S811010000K AIR CONDITIONING SYSTEM (CAB)	345
◆ TB3S812010000K AIR CONDITIONING SYSTEM (ENGINE)	351
◆ TB3S950010000K REAR BALLAST ASSEMBLY.....	355

TB3S110030000K MANIFOLDS & INDUCTION SYSTEM

LOWVOL
zn D20743



TB3S110030000K MANIFOLDS & INDUCTION SYSTEM

No.	Part No.	Description	Version	QTY.	Remark
	TB3S110030000K	MANIFOLDS & INDUCTION SYSTEM	003	1	
1	GBT16674. 1-M8X16-8. 8-A2L	HEX FLANGE BOLTS		5	
2	GBT16674. 1-M6X45-8. 8-A2L	HEX FLANGE BOLTS		4	
3	TL02582330021	LARGE WASHER		8	
4	TL02582330018	MULTI-WAY VALVE SHOCK ABSORPTION GASKET BLOCK		4	
5	GBT16674. 1-M6X40-8. 8-A2L	HEX FLANGE BOLTS		2	
6	GBT6177. 1-M6-8-A2L	HEXAGON FLANGE NUT		4	
7	TB3S110030010K	AIR FILTER FIXING BRACKET		1	
8	Q676108	B TYPE WORM DRIVE TYPE HOSE HOOP		1	
9	TB3S110030020K	AIR FILTER		1	
9.1	TB3S110030021K	MAIN FILTER ELEMENT		1	
9.2	TB3S110030019K	SECURITY FILTER ELEMENT		1	
10	TD900. 11A-01	AIR FILTER MAINTENANCE INDICATOR		1	
11	TB3S110030014K	AIR OUTLET RUBBER HOSE		1	
12	Q67695	B TYPE WORM DRIVE TYPE HOSE HOOP		2	
13	GBT16674. 1-M6X16-8. 8-A2L	HEX FLANGE BOLTS		2	
14	GBT16674. 1-M8X20-8. 8-A2L	HEX FLANGE BOLTS		5	
15	TB3S110030017K	SENSOR		1	
16	TB3S110030015K	AIR OUTLET RUBBER HOSE		1	
17	Q67676	B TYPE WORM DRIVE TYPE HOSE HOOP		2	
18	TB3S110030012K	STEEL TUBE		1	
19	TB3S110030016K	RUBBER		1	

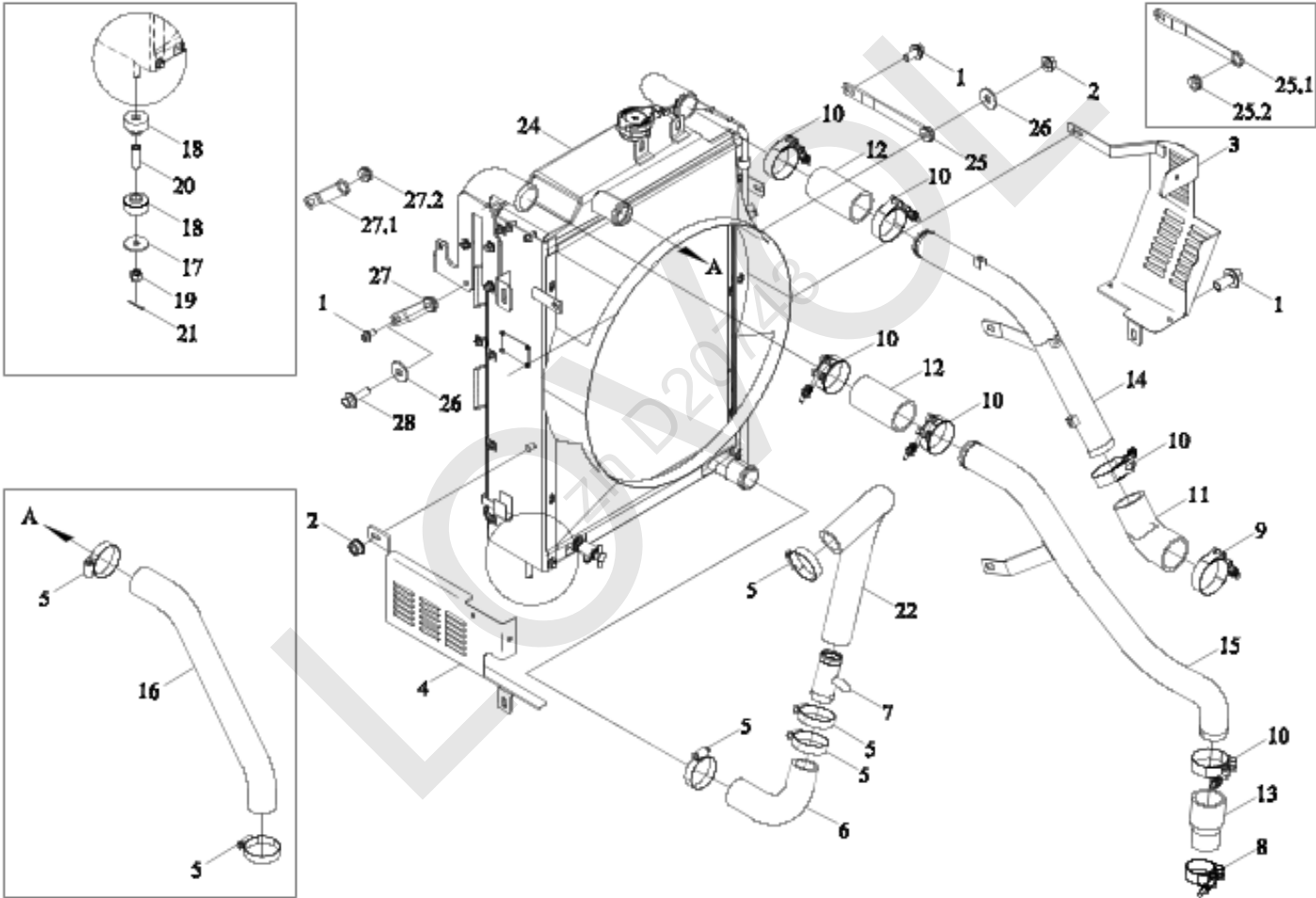
TB3S110030000K MANIFOLDS & INDUCTION SYSTEM (cont'd.)

No.	Part No.	Description	Version	QTY.	Remark
20	Q67664	B TYPE WORM DRIVE TYPE HOSE HOOP		1	
21	TB3S110030026K	BRACKET		1	

LOWELOW
zn D20743

LOWLOL
zn D20743

TB3S131030000K RADIATOR-1



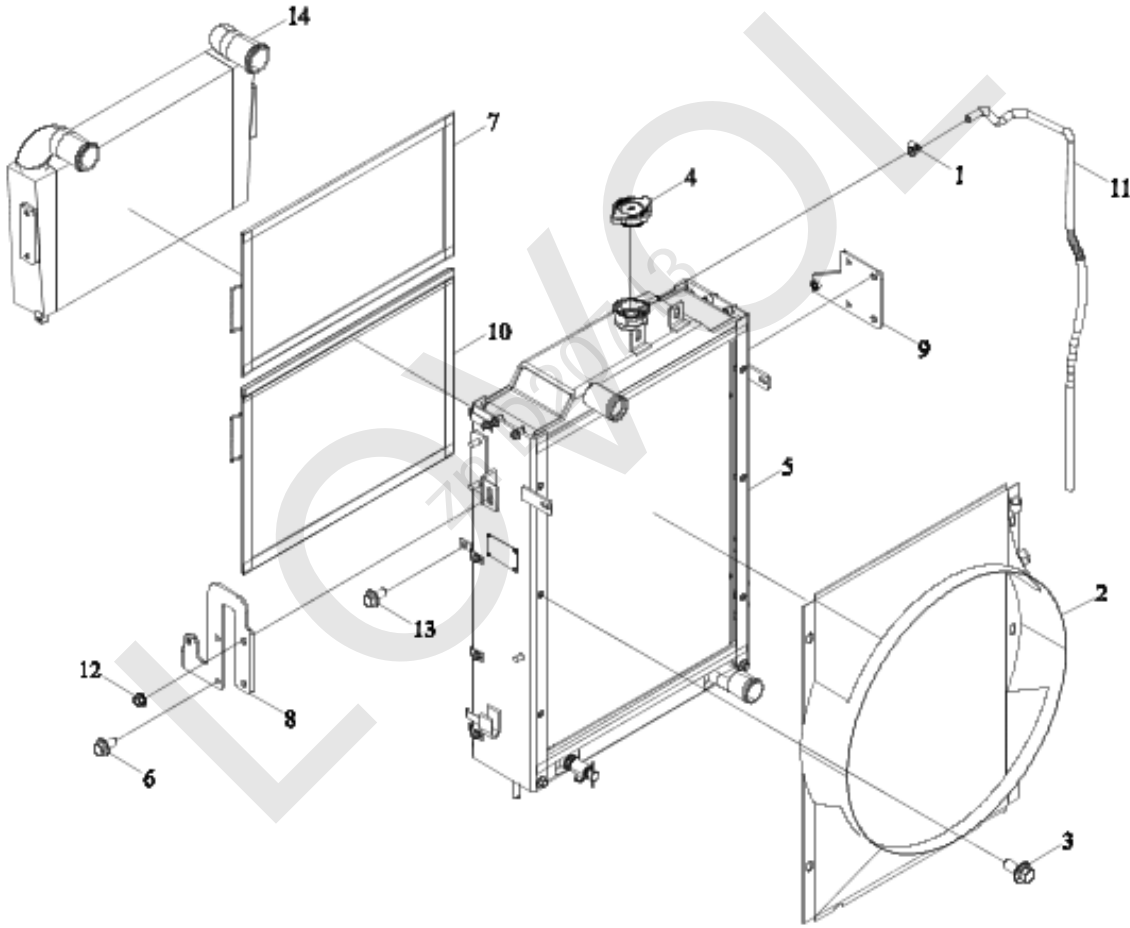
TB3S131030000K RADIATOR-1

No.	Part No.	Description	Version	QTY.	Remark
	TB3S131030000K	RADIATOR	003	1	
1	GBT16674. 1-M8X16-8. 8-A2L	HEX FLANGE BOLTS		6	
2	GBT6177. 1-M8-8-A2L	HEXAGON FLANGE NUT		5	
3	TB3S131030031K	RIGHT GUARD NET WELDMENT		1	
4	TB3S131030029K	LEFT GUARD NET WELDMENT		1	
5	Q67657	B TYPE WORM DRIVE TYPE HOSE HOOP		6	
6	TB3S131030027K	WATER TANK OUTLET HOSE		1	
7	TB3S131030024K	PIPE		1	
8	SAEJ1508-SLTB28	HOOP		1	
9	SAEJ1508-SLTB42	HOOP		1	
10	SAEJ1508-SLTB36	HOOP		6	
11	TB3S131030016K	CONNECTING RUBBER PIPE		1	
12	TS04110020016K	INTERCOOLER AIR INTAKE RUBBER HOSE		2	
13	TB3S131030015K	CONNECTING RUBBER PIPE		1	
14	TB3S131030012K	AIR OUTLET PIPE WELDMENT OF INTERCOOLER		1	
15	TB3S131030009K	AIR INLET PIPE WELDMENT OF INTERCOOLER		1	
16	TB3S131030005K	WATER TANK INLET HOSE		1	
17	FT650. 13. 116	GASKET		2	
18	TD800. 131-11	RUBBER MAT		4	
19	GBT6178-M10-8-A3L	HEXAGON SLOTTED NUT, STYLE 1		2	
20	TD800. 131-12	SLEEVE		2	
21	GBT91-2. 5X28-A3L	COTTER PIN		2	
22	TB3S131030004K	WATER TANK OUTLET HOSE		1	

TB3S131030000K RADIATOR-1 (cont'd.)

No.	Part No.	Description	Version	QTY.	Remark
23	GBT16674. 1-M8X12-8. 8-A2L	HEX FLANGE BOLTS		1	
24	TB3S131030037K	RADIATOR ASSEMBLY		1	
25	TB3S131030019K	PULL ROD UNIT		1	
25.1	TB3S131030020K	TIE ROD		1	
25.2	TS04132010003	RUBBER GASKET		1	
26	GBT96. 1-8-A3L	LARGE WASHER		2	
27	TB3S131030043K	PULL ROD		1	
27.1	TB3S131030044K	LEFT LEVER		1	
27.2	TS04132010003	RUBBER GASKET		1	
28	GBT16674. 1-M8X25-8. 8-A2L	HEX FLANGE BOLTS		1	

TB3S131030000K RADIATOR-2



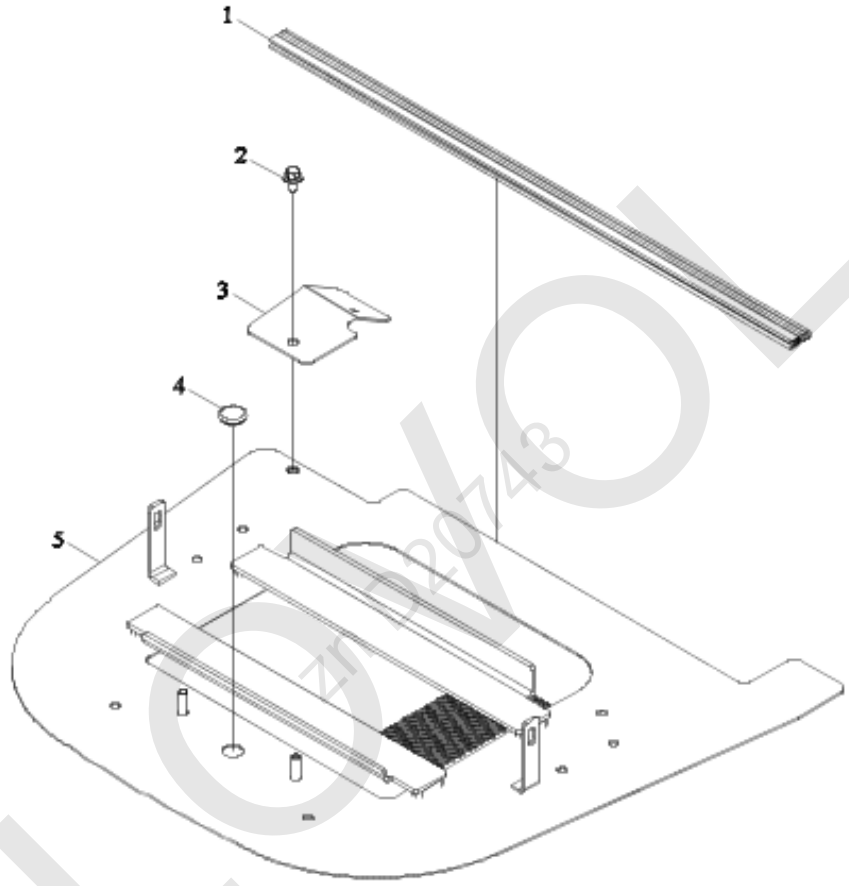
TB3S131030000K RADIATOR-2

No.	Part No.	Description	Version	QTY.	Remark
	TB3S131030037K	RADIATOR ASSEMBLY		1	
	TB3S131030000K	RADIATOR		1	
1	Q676B12	C-TYPE WORM TRANSMISSION HOSE CLAMP		1	
2	TB3S131030003K	WIND GUIDE COVER		1	
3	GBT16674. 1-M8X16-8. 8-A2L	HEX FLANGE BOLTS		6	
4	BZF0084-004	RADIATOR COVER		1	
5	TB3S131030002K	WATER COOLING RADIATOR ASSEMBLY		1	
6	GBT16674. 1-M8X12-8. 8-A2L	HEX FLANGE BOLTS		3	
7	TB3S131030040K	DUSTPROOF NET		1	
8	TB3S131030042K	LEFT FIXING PLATE WELDMENT		1	
9	TB3S131030038K	RETAINING PLATE		1	
10	TB3S131030045K	The dust-proof net		1	
11	TH400. 13. 1-03	WATER HOSE		1	
12	GBT6177. 1-M8-8-A2L	HEXAGON FLANGE NUT		4	
13	GBT16674. 1-M6X12-8. 8-A2L	HEX FLANGE BOLTS		1	
14	TB3S131030041K	INTERCOOLER ASSEMBLY		1	

LOWLOL
zn D20743

TB3S13202000K SUBPLATE

LOWVOL
zn D20743

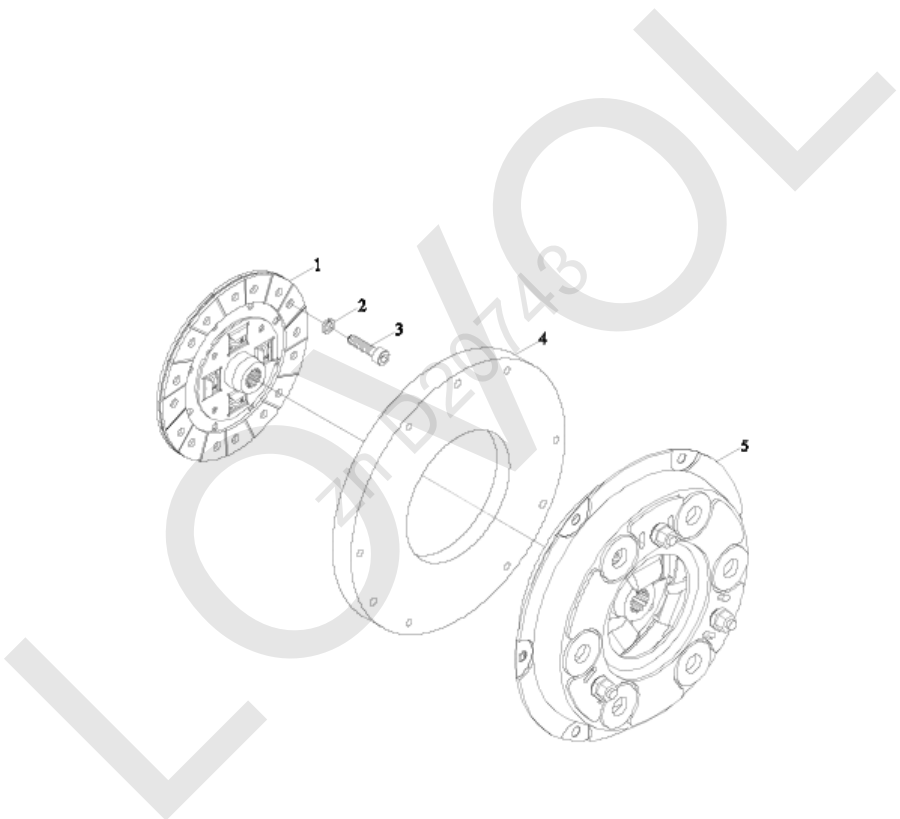


TB3S132020000K SUBPLATE

No.	Part No.	Description	Version	QTY.	Remark
	TB3S132020000K	RADIATOR BACKING BOARD INSTALLATION ASSEMBLY	003	1	
1	TS04132030005	SEALING STRIP		1	
2	GBT16674. 1-M8X12-8. 8-A2L	HEX FLANGE BOLTS		1	
3	TB3S132020006K	SUPPORT PLATE		1	
4	TS04451010020	PLUG COVER		1	
5	TB3S132020001K	RADIATOR BACKING BOARD WELDMENT		1	

LOWLOL
zn D20743

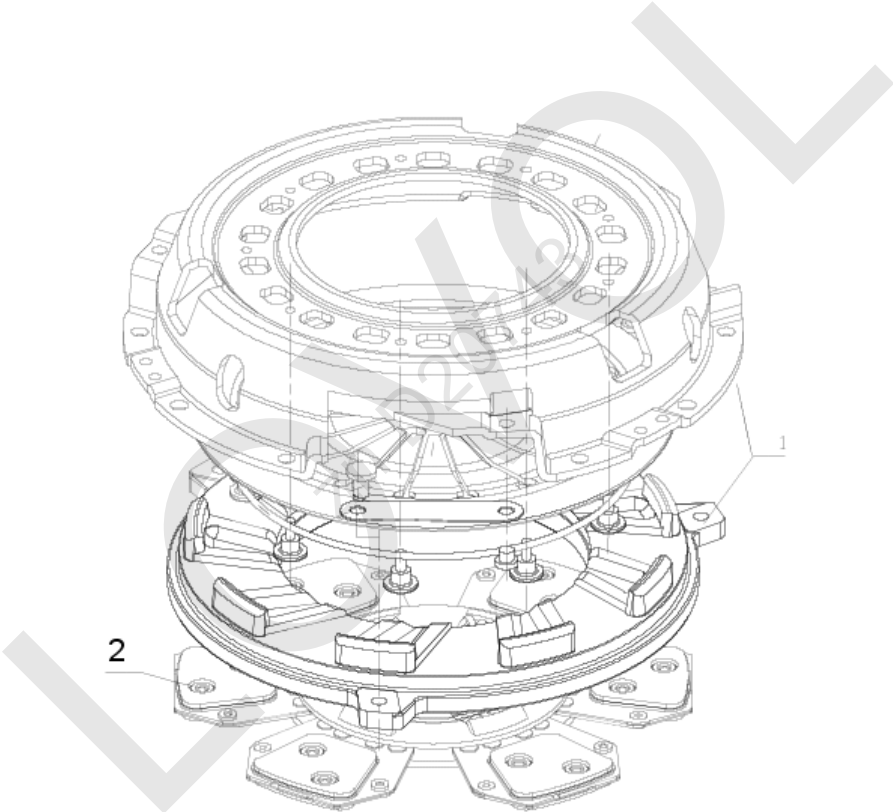
TB1S21103000K CLUTCH ASSEMBLY-1



TB1S21103000K CLUTCH ASSEMBLY-1

No.	Part No.	Description	Version	QTY.	Remark
	TB1S21103000K	CLUTCH ASSEMBLY	1	1	
1	TB4S211010002K	CUSHION MACHINE		1	
2	GBT93-6-A3L	STANDARD SPRING WASHER		6	
3	GBT70. 1-M6X20-8. 8-A2L	INNER HEXAGON SCREW		6	
4	TB4S211010004K	TRANSITIONPLATE		1	
5	TB1S211030001K	CLUTCH SUBASSEMBLY		1	

TB1S21103000K CLUTCH ASSEMBLY-2



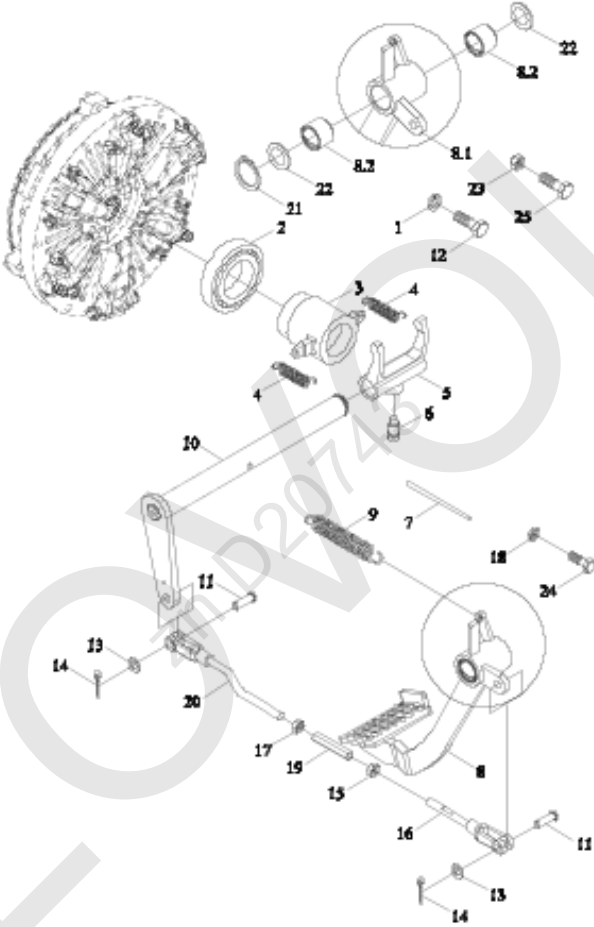
TB1S211030000K CLUTCH ASSEMBLY-2

No.	Part No.	Description	Version	QTY.	Remark
1	TB1S211030001K	CLUTCH SUBASSEMBLY		1	
1	TB1S211030003K	CLUTCH PRESSURE PLATE		1	
2	TB1S211030002K	DRIVEN PLATE ASSY		1	

LOWLOL
zn D20743

TB1S21201000K CLUTCH CONTROL ASSEMBLY

LOWVOL
zn D20743



TB1S21201000K CLUTCH CONTROL ASSEMBLY

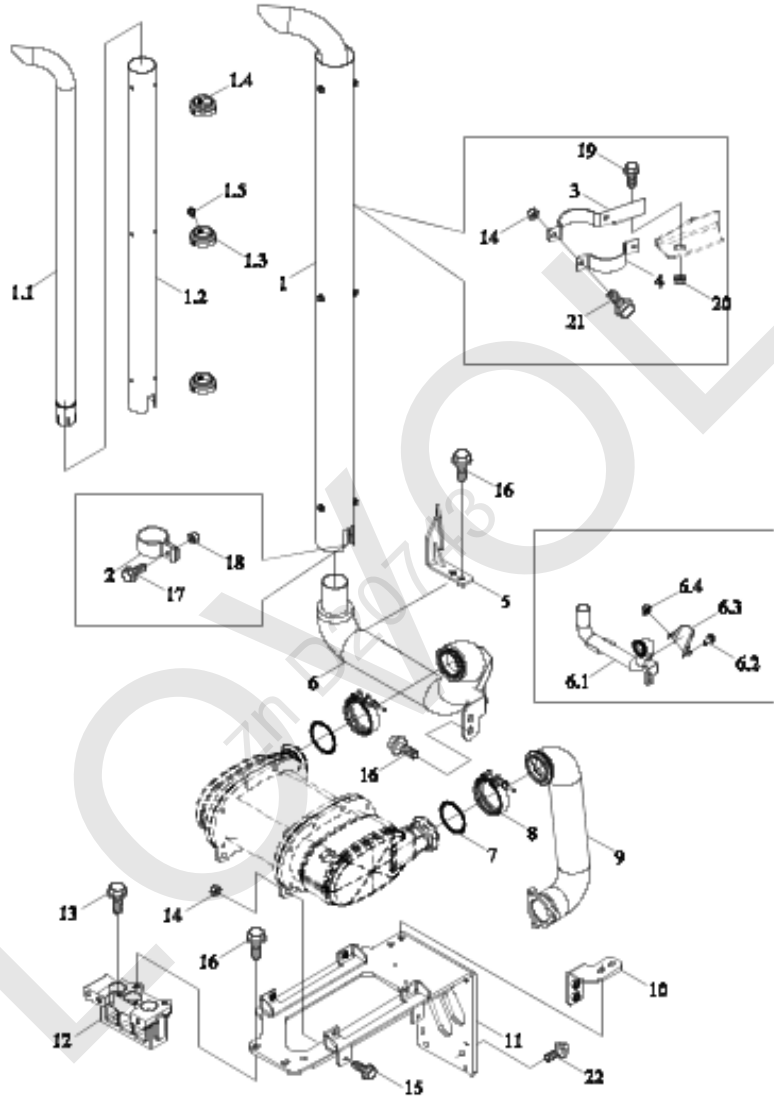
No.	Part No.	Description	Version	QTY.	Remark
	TB1S21201000K	CLUTCH CONTROL ASSEMBLY	005	1	
1	GBT93-8-A3L	STANDARD SPRING WASHER		6	
2	TB4S212010001K	RELEASE BEARING		1	
3	TB1S212010004K	RELEASE BEARING SEAT		1	
4	TB604. 212-03	THRUST BEARING SEAT RETURN SPRING		2	
5	FT300. 21. 103	RELEASE FORK		1	
6	FT300. 21. 113	THRUST SCREW		1	
7	TA800. 212B-02	LOW CARTON STEEL WIRE SZ-1. 4		1	
8	TB1S212010001Ka	CLUTCH PEDAL UNIT		1	
8.1	TB1S212010002Ka	CLUTCH PEDAL WELDMENT		1	
8.2	TC03371040020a	COMPOUND SLEEVE 25X30X20		2	
9	TD800. 43-01	PEDAL RETURN SPRING		1	
10	TB604. 212. 3b	CLUTCH ROCKER SHAFT WELDMENT		1	
11	GBT882-B10X32-A3L	PIN		2	
12	GBT5782-M8X50-8. 8-A2L	HEX HEAD BOLTS		6	
13	GBT97. 1-10-A3L	FLAT WASHERS		2	
14	GBT91-3. 2X20-A3L	COTTER PIN		2	
15	GBT6171-M12X1. 5-8-A3L	TYPE 1 HEX NUT		1	
16	TB604. 212A. 5	UPPER PULL ROD WELDMENT		1	
17	GBT6171-M12X1. 5-LH-8-A3L	TYPE 1 HEX NUT		1	
18	GBT6172. 1-M8-04-A2L	HEXAGON THIN NUT		1	
19	TE354. 433-03	CONNECTING ROD		1	
20	TB604. 212. 6	LOWER PULL ROD WELDMENT		1	

TB1S212010000K CLUTCH CONTROL ASSEMBLY (cont'd.)

No.	Part No.	Description	Version	QTY.	Remark
21	GBT894.1-25	RETAINING RING FOR SHAFT		1	
22	TE250.433C-02	GASKET		2	
23	GBT6170-M10-8-A3L	TYPE 1 HEX NUT		1	
24	GBT5783-M8X30-8.8-A2L	HEX HEAD BOLTS		1	
25	GBT5783-M10X70-8.8-A3L	HEX HEAD BOLTS		1	

TB3S220040000K Exhaust and aftertreatment assembly

LOWVOL
zn D20743



TB3S220040000K Exhaust and aftertreatment assembly

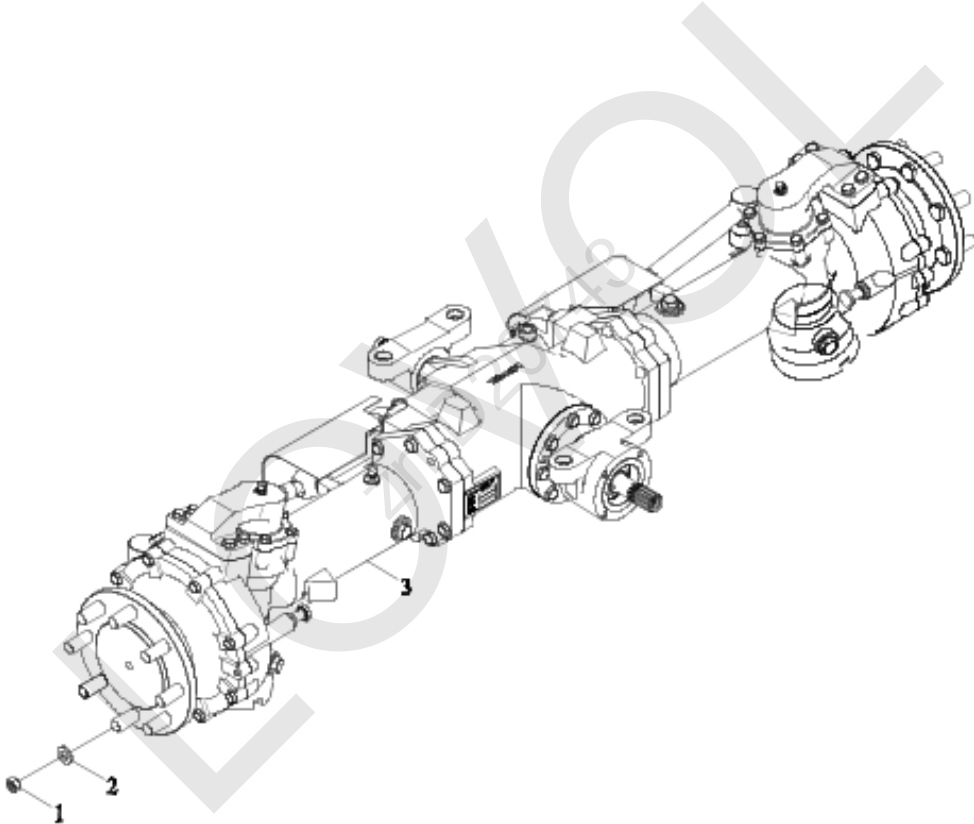
No.	Part No.	Description	Version	QTY.	Remark
	TB3S220040000K	EXHAUST SYSTEM ASSEMBLY	003	1	
1	TB3S220030046K	TAIL PIPE		1	
1.1	TB3S220030047K	EXHAUST PIPE		1	
1.2	TB3S220030049K	GUARD NET		1	
1.3	TB3S220030020K	MOUNTINGS RING		3	
1.4	GBT13681-M6	NUT		9	
1.5	GBT16674.1-M6X12-8.8-A2L	HEX FLANGE BOLTS		9	
2	TB3S220030018K	CLAMP HOOP		1	
3	TB3S220040015K	CLAMP HOOP		1	
4	TB3S220030022K	CLAMP HOOP 1		1	
5	TB3S220040012K	FIXED BRACKET		1	
6	TB3S220030038K	EXHAUST JOINT PIPE UNIT		1	
6.1	TB3S220030036K	EXHAUST JOINT PIPE WELDMENT		1	
6.2	GBT16674.1-M8X16-10.9-A2L	HEX FLANGE BOLTS		1	
6.3	TB3S220030028K	Heat shield assembly		1	
6.4	GBT6177.1-M10-8-A3L	HEXAGON FLANGE NUT		1	
7	TB3S220030025K	SEAL		2	
8	TB3S220030019K	CLAMP, V BAND		2	
9	TB3S220040003K	CONNECTING TUBE		1	
10	TB3S220030030K	BRACKET WELDMENT		1	
11	TB3S220040001K	FIXINGBRACKET		1	
12	TB3S220040020K	MOUNTINGS ZCH00878		1	
13	GBT16674.2-M12X1.5X80-10.9-A3L	HEX FLANGE BOLTS		3	

TB3S220040000K Exhaust and aftertreatment assembly (cont'd.)

No.	Part No.	Description	Version	QTY.	Remark
14	GBT6177.1-M8-10-A2L	HEXAGON FLANGE NUT		4	
15	GBT16674.1-M8X25-10.9-A2L	HEX FLANGE BOLTS		4	
16	GBT16674.1-M10X25-10.9-A3L	HEX FLANGE BOLTS		6	
17	GBT16674.1-M8X25-8.8-A2L	HEX FLANGE BOLTS		1	
18	GBT6177.1-M8-8-A2L	HEXAGON FLANGE NUT		1	
19	GBT16674.1-M10X20-8.8-A3L	HEX FLANGE BOLTS		4	
20	GBT6177.1-M10-8-A3L	HEXAGON FLANGE NUT		2	
21	GBT16674.1-M8X20-10.9-A2L	HEX FLANGE BOLTS		2	
22	GBT16674.1-M10X20-10.9-A3L	HEX FLANGE BOLTS		4	

LOWVOL
zn D20743

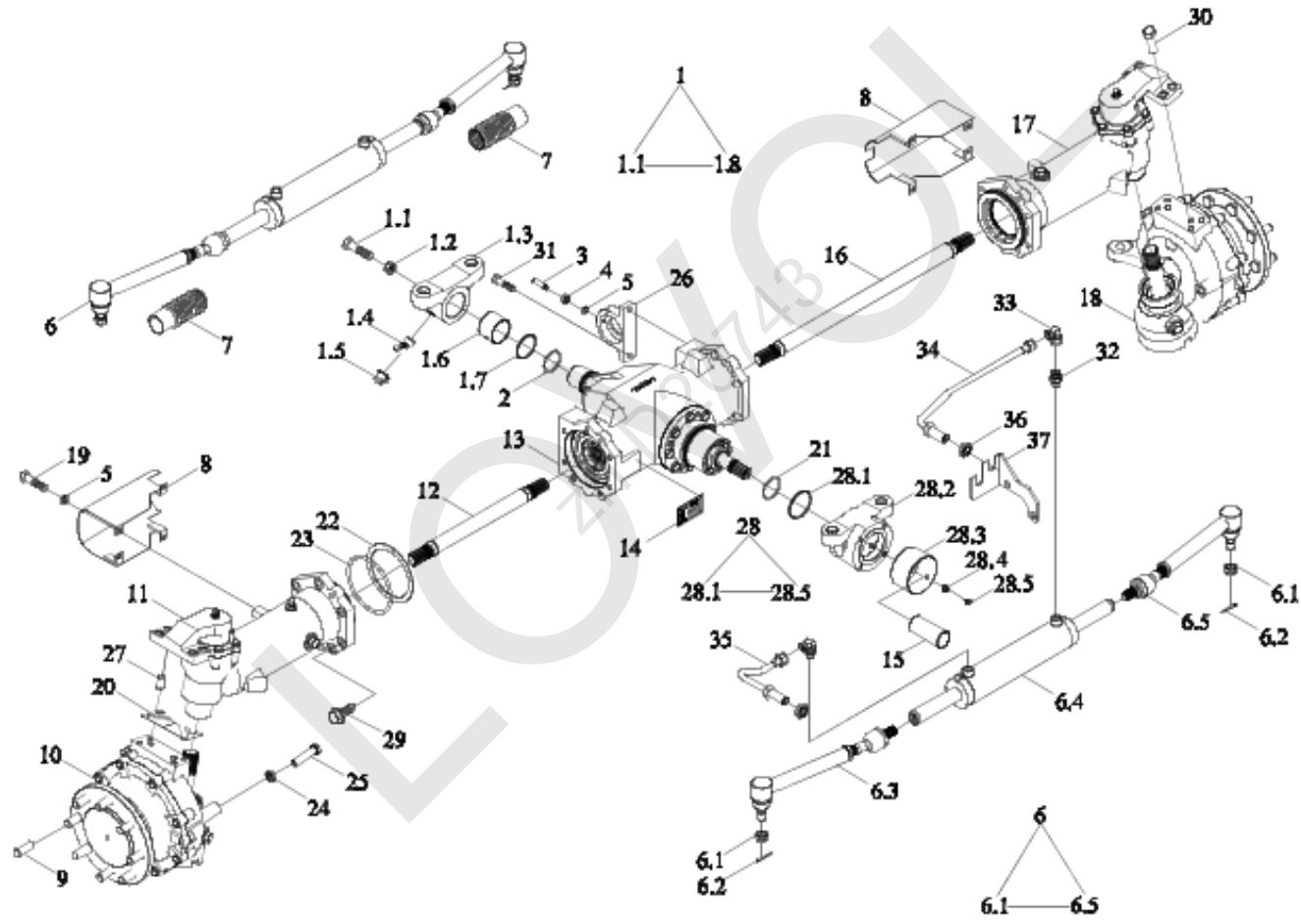
TY3S311020000K FRONT DRIVE AXLE ASSEMBLY-1



TY3S311020000K FRONT DRIVE AXLE ASSEMBLY-1

No.	Part No.	Description	Version	QTY.	Remark
	TY3S311020000K	FRONT DRIVE AXLE ASSEMBLY	001	1	
1	GBT6176-M16X1.5-10-A3L	HEXAGON NUT, TYPE-2		12	
2	FT654.32.104	WASHER		12	
3	TY3S311020001K	FRONT DRIVING AXLE SUB-ASSEMBLY		1	

TY3S311020000K FRONT DRIVE AXLE ASSEMBLY-2



TY3S311020000K FRONT DRIVE AXLE ASSEMBLY-2

No.	Part No.	Description	Version	QTY.	Remark
	TY3S311020000K	FRONT DRIVE AXLE ASSEMBLY		1	
	TY3S311020002K	FRONT AXLE		1	
1	TC03311030003	FRONT BRACKET		1	
1.1	GBT5783-M16X50-8. 8-A3L	HEX HEAD BOLTS		1	
1.2	GBT6170-M16-8-A3L	TYPE 1 HEX NUT		1	
1.3	TC03311030005	FRONT BRACKET		1	
1.4	JBT7940. 1-M10X1	STRAIGHT-THROUGH PRESSURE OIL CUP		1	
1.5	TC02311170063	DUSTPROOF CAP OF OIL CUP		1	
1.6	TC02311010066	SLIDING BEARING		1	
1.7	TC02311010068	SEAL		1	
1.8	TC02311010067	GASKET		1	
2	GBT3452. 1-48. 7X3. 55G	O-RING RUBBER SEAL FOR HYDRAULIC AND PNEUMATIC		1	
3	GBT75-M8X30-14H-A2L	SLOTTED LOCKING SCREW		2	
4	GBT6170-M8-8-A2L	TYPE 1 HEX NUT		2	
5	GBT93-8-A3L	STANDARD SPRING WASHER		10	
6	TC03311280003	STEERING OIL CYLINDER ASSEMBLY		1	
6.1	GBT9457-M18X1. 5-8	HEXAGON SLOTTED NUT, STYLE 1		2	
6.2	GBT91-4X32-A3L	COTTER PIN		2	
6.3	TC03311280004a	LEFT STEERING CONNECTING		1	
6.4	TC03311270004	STEERING CYLINDER		1	
6.5	TC03311280005a	RIGHT STEERING CONNECTING		1	
7	TC02311170050	SHIELD		2	

TY3S31102000K FRONT DRIVE AXLE ASSEMBLY-2 (cont'd.)

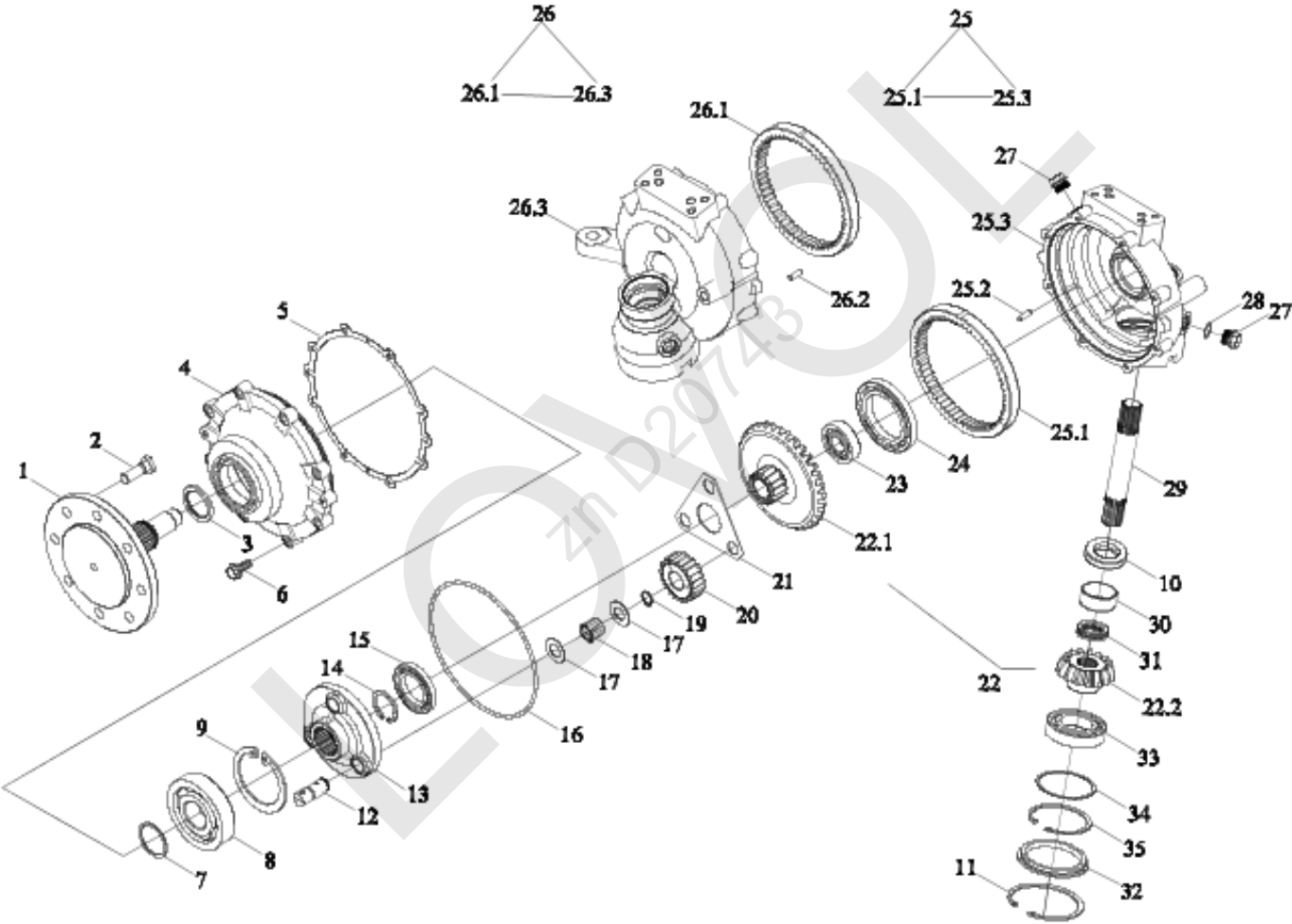
No.	Part No.	Description	Version	QTY.	Remark
8	TC02311010015	SHIELD		2	
9	TC02311010087	RIM BOLT COVER		12	
10	TC03311370010	LEFT FINAL TRANSMISSION ASSEMBLY		1	
11	TY3S311010003K	LEFT TRANSMISSION ASSEMBLY		1	
12	TC03311100009a	LEFT HALF SHAFT		1	
13	TH04311010017	CENTRAL HOUSING MEDIUM		1	
14	9F650-26B010004A0	NAMEPLATE		1	
15	TC03311020055	PROTECTION BUSH		1	
16	TC03311100010a	RIGHT HALF SHAFT		1	
17	TY3S311010004K	RIGHT TRANSMISSION ASSEMBLY		1	
18	TC03311370011	RIGHT FINAL TRANSMISSION ASSEMBLY		1	
19	GBT5783-M8X16-8. 8-A2L	HEX HEAD BOLTS		8	
20	TC02311010012	ADJUSTMENT MATS		1	
21	GBT3452. 1-92. 5X3. 55G	O-RING RUBBER SEAL FOR HYDRAULIC AND PNEUMATIC		1	
22	TC02311010081	ADJUSTING WASHER		1	
23	GBT3452. 1-136X3. 55G	O-RING RUBBER SEAL FOR HYDRAULIC AND PNEUMATIC		2	
24	GBT6172. 1-M16-04-A3L	HEXAGON THIN NUT		2	
25	TC03311100015	LIMIT BOLT		2	
26	TC02311010016a	OIL CYLINDER SUPPORT SEAT		2	
27	GBT119. 1-12m6X22-A3L	CYLINDRICAL PIN		6	
28	TH04311010029a	REAR BRACKET		1	

TY3S311020000K FRONT DRIVE AXLE ASSEMBLY-2 (cont'd.)

No.	Part No.	Description	Version	QTY.	Remark
28.1	TC03311100014a	WASHER		1	
28.2	TH04311010030a	REAR BRACKET		1	
28.3	TC03311100013	SLIDING BEARING		1	
28.4	JBT7940.1-M10X1	STRAIGHT-THROUGH PRESSURE OIL CUP		1	
28.5	TC02311170063	DUSTPROOF CAP OF OIL CUP		1	
29	GBT16674.1-M14X45-10.9-A3L	HEX FLANGE BOLTS		14	
30	GBT16774.1-M12X40-10.9-A3L	HEX FLANGE BOLTS		8	
31	GBT5783-M12X35-10.9-A3L	HEX HEAD BOLTS		4	
32	TC02311900021	END STRAIGHT THREAD CONNECTOR BODY 16-18		1	
33	TC02311900020	CONNECTING JOINT L12		2	
34	TY3S311020004K	RIGHT STEERING OIL TUBE ASSEMBLY		1	
35	TY3S311020003K	STEERING OIL PIPE ASSEMBLY		1	
36	GBT6173-M18X1.5-05-A3L	HEXAGON THIN NUT		2	
37	TY3S311020005K	OIL PIPE BRACKET		1	

LOWVOL
zn D20743

TY3S311020000K FRONT DRIVE AXLE ASSEMBLY-3



TY3S311020000K FRONT DRIVE AXLE ASSEMBLY-3

No.	Part No.	Description	Version	QTY.	Remark
	TY3S311020000K	FRONT DRIVE AXLE ASSEMBLY		1	
	TY3S311020002K	FRONT AXLE		1	
	TC03311370010	LEFT FINAL TRANSMISSION ASSEMBLY		1	
	TC03311370011	RIGHT FINAL TRANSMISSION ASSEMBLY		1	
1	TA1C311010005a	FRONT DRIVING SHAFT		1	
2	TC02311010051	BOLT		6	
3	TH04311010020a	OIL SEAL		1	
4	TH04311010032a	BIG END COVER		1	
5	TC03311100049	ADJUSTMENT MATS		1	
6	GBT16674. 1-M10X40-10. 9-A3L	HEX FLANGE BOLTS		8	
7	TH04311010019	GASKET		1	
8	GBT276-6410	DEEP GROOVE BALL BEARING		1	
9	GBT893. 1-130	RETAINING RING FOR HOLE		1	
10	TH04311010050	OIL SEAL		1	
11	GBT893. 1-120	RETAINING RING FOR HOLE		1	
12	TC03311100038b	PLANET GEAR SHAFT		3	
13	TC03311100036a	PLANET CARRIER		1	
14	TC03311100039	SPRING RETAINER RING		1	
15	GBT276-16011	DEEP GROOVE BALL BEARING		1	
16	GBT3452. 1-243X5. 30G	O-RING RUBBER SEAL FOR HYDRAULIC AND PNEUMATIC		1	
17	TC03311060053a	GASKET		1	
18	GBT309-P5X27. 8-G2X-3X-5	NEEDLE		51	

TY3S311020000K FRONT DRIVE AXLE ASSEMBLY-3 (cont'd.)

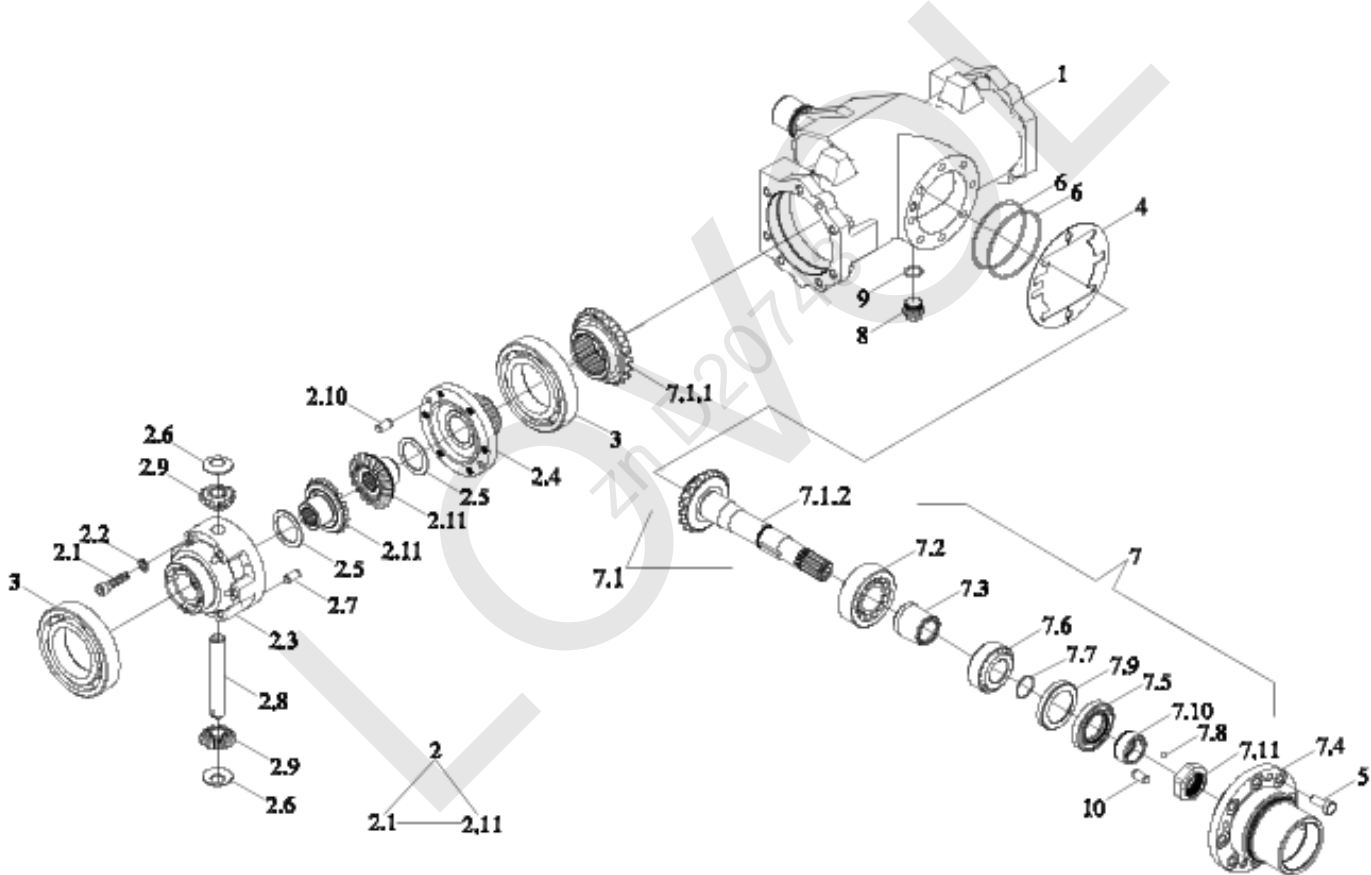
No.	Part No.	Description	Version	QTY.	Remark
19	JBZQ4342-22	HEAVY SHAFT WITH ELASTIC RING		3	
20	TH04311010008	WHEEL PLANET GEAR		3	
21	TH04311010033a	FIXING PLATE		1	
22	TH04311010055	TRANSMISSION GEAR		1	
22.1	TH04311010009	END BIG GEAR		1	
22.2	TC03311100044	END PINION		1	
23	GBT276-6306	DEEP GROOVE BALL BEARING		1	
24	GBT276-16017	DEEP GROOVE BALL BEARING		1	
25	TH04311010005d	GEAR RING		1	
25.1	TH04311010007	GEAR RING		1	
25.2	GBT119.1-8m6X26-A3L	CYLINDRICAL PIN		3	
25.3	TH04311010027d	LEFT FINAL TRANSMISSION HOUSING		1	
26	TH04311010006d	GEAR RING		1	
26.1	TH04311010007	GEAR RING		1	
26.2	GBT119.1-8m6X26-A3L	CYLINDRICAL PIN		3	
26.3	TH04311010028d	RIGHT FINAL TRANSMISSION HOUSING		1	
27	TD904.311K.1-13	SCREW PLUG		2	
28	GBT3452.1-21.2X2.65G	O-RING RUBBER SEAL FOR HYDRAULIC AND PNEUMATIC		2	
29	TC03311100043a	END SPLINE SHAFT		1	
30	TH04311010021	BUSHING		1	
31	GBT301-51107	THRUST BEARING		1	
32	TC03311020032	SEAL COVER		1	

TY3S311020000K FRONT DRIVE AXLE ASSEMBLY-3 (cont'd.)

No.	Part No.	Description	Version	QTY.	Remark
33	GBT276-6211	DEEP GROOVE BALL BEARING		1	
34	TC02311010073	ADJUSTING WASHER		1	
35	GBT893.1-100	RETAINING RING FOR HOLE		1	

LOWLOL
zn D20743

TY3S311020000K FRONT DRIVE AXLE ASSEMBLY-4



TY3S311020000K FRONT DRIVE AXLE ASSEMBLY-4

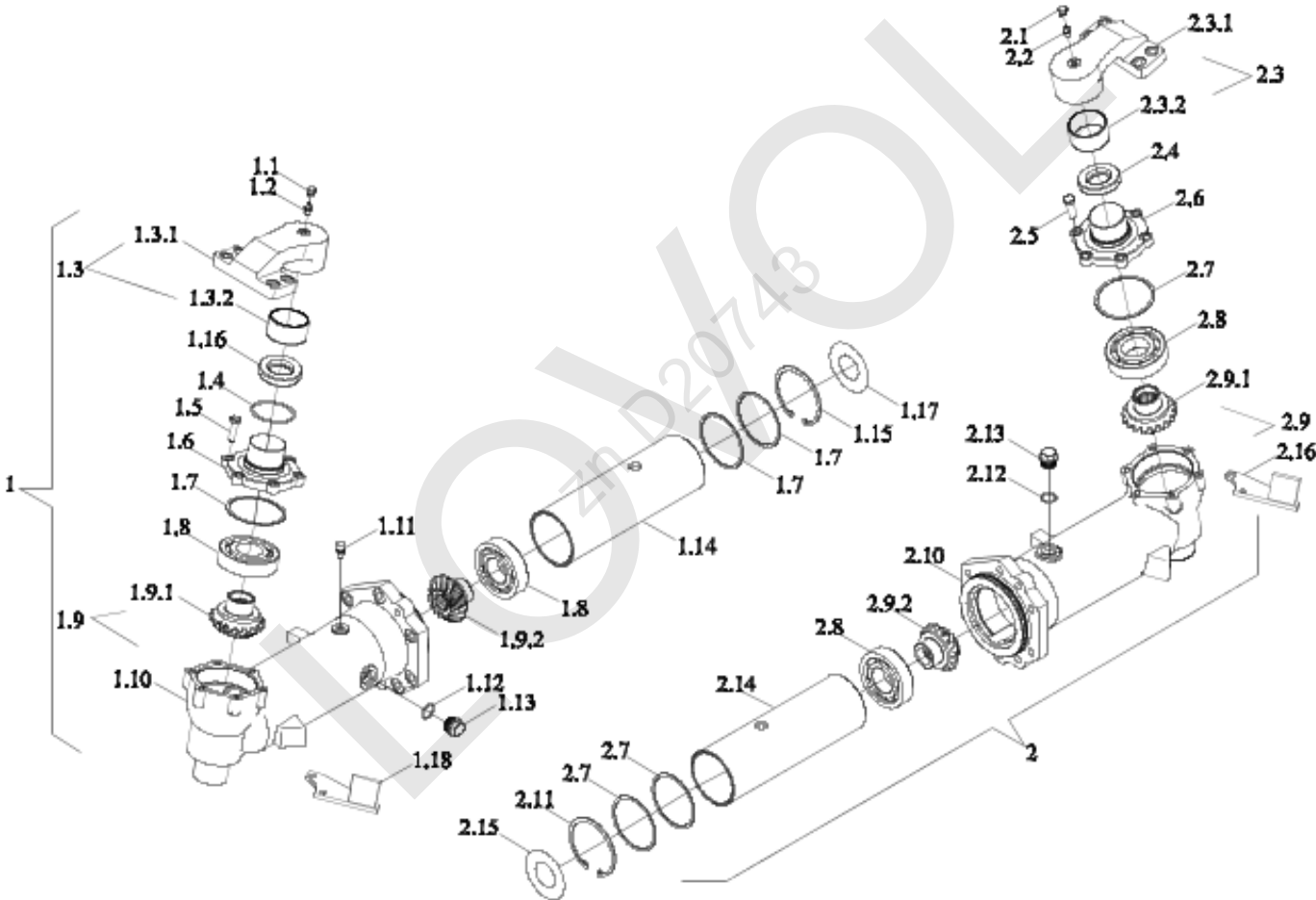
No.	Part No.	Description	Version	QTY.	Remark
	TY3S311020000K	FRONT DRIVE AXLE ASSEMBLY		1	
	TY3S311020002K	FRONT AXLE		1	
	TH04311010017	CENTRAL HOUSING MEDIUM		1	
1	TH04311010018	HOUSING		1	
2	TH04311010035	DIFFERENTIAL ASSEMBLY		1	
2.1	GBT70. 1-M10X70-8. 8-A3L	HEXAGON SOCKET HEAD CAP SCREW		6	
2.2	GBT93-10-A3L	STANDARD SPRING WASHER		6	
2.3	TC02311010027	DIFFERENTIAL LEFT HOUSING		1	
2.4	TH04311010036	DIFFERENTIAL RIGHT HOUSING		1	
2.5	TC02311010030	SPACER		2	
2.6	TC02311010031	PLANTARY HOUSING PAD		2	
2.7	GBT119. 1-8h8X45-A3L	CYLINDRICAL PIN		1	
2.8	TC02311010033	PLANET GEAR SHAFT		1	
2.9	TC02311010034	PLANETARY GEAR		2	
2.10	GBT119. 1-8h8X20-A3L	CYLINDRICAL PIN		2	
2.11	TC02311010035	SIDE GEAR		2	
3	GBT276-6216	DEEP GROOVE BALL BEARING		2	
4	TC03311100017	ADJUSTING GASKET		1	
5	GBT16674. 1-M12X30-10. 9-A3L	HEX FLANGE BOLTS		8	
6	GBT3452. 1-100X3. 55G	O-RING RUBBER SEAL FOR HYDRAULIC AND PNEUMATIC		2	
7	TH04311010024	CENTRAL DECELERATION		1	
7.1	TH04311010025	GEAR SPIRAL VEVEL ASSEMBLY		1	

TY3S311020000K FRONT DRIVE AXLE ASSEMBLY-4 (cont'd.)

No.	Part No.	Description	Version	QTY.	Remark
7.1.1	TC03311100023	DRIVEN SPIRAL BEVEL GEAR		1	
7.1.2	TH04311010026	GEAR SHAFT		1	
7.2	GBT297-32308	TAPERED ROLLER BEARING-30211-J2-Q		1	
7.3	TH04311010034	BUSH		1	
7.4	TC03311100019	HOUSING		1	
7.5	TC05311070062	OIL RETAINER DISC		1	
7.6	GBT297-33207	TAPERED ROLLER BEARING-30211-J2-Q		1	
7.7	GBT3452.1-31.5X1.80G	RUBBER O-SEAL RING		1	
7.8	GBT308-6-G100-b	STEEL BALL		1	
7.9	TC05311070063	OIL SEAL		1	
7.10	TC05311070060	OIL SEAL SEAT		1	
7.11	TC05311070061	LOCKING NUT		1	
8	TD904.311K.1-13	SCREW PLUG		1	
9	GBT3452.1-21.2X2.65G	O-RING RUBBER SEAL FOR HYDRAULIC AND PNEUMATIC		1	
10	GBT119.1-12m6X24-A3L	CYLINDRICAL PIN		1	

LOWLOL
zn D20743

TY3S311020000K FRONT DRIVE AXLE ASSEMBLY-5



TY3S311020000K FRONT DRIVE AXLE ASSEMBLY-5

No.	Part No.	Description	Version	QTY.	Remark
	TY3S311020000K	FRONT DRIVE AXLE ASSEMBLY		1	
	TY3S311020002K	FRONT AXLE		1	
1	TY3S311010003K	LEFT TRANSMISSION ASSEMBLY		1	
1.1	TC02311170063	DUSTPROOF CAP OF OIL CUP		1	
1.2	JBT7940. 1-M10X1	STRAIGHT-THROUGH PRESSURE OIL CUP		1	
1.3	TY3S311010008K	COVER		1	
1.3.1	TY3S311010006K	COVER		1	
1.3.2	TH04311010044	SLIDING BEARING		1	
1.4	TH04311010042	WASHER		1	
1.5	GBT16674. 1-M10X35-10. 9-A3L	HEX FLANGE BOLTS		6	
1.6	TH04311010045b	STEERING SHAFT SEAT		1	
1.7	TC02311010073	ADJUSTING WASHER		1	
1.8	GBT276-6309	DEEP GROOVE BALL BEARING		2	
1.9	TX1P311020013a	GEAR		1	
1.9.1	TX1P311020018a	GEAR		1	
1.9.2	TX1P311020017a	DRIVING GEAR		1	
1.10	TC03311370012d	LEFT TRANSMISSION CASE SHELL		1	
1.11	TC05311090010	RESPIRATOR		1	
1.12	GBT3452. 1-21. 2X2. 65G	O-RING RUBBER SEAL FOR HYDRAULIC AND PNEUMATIC		2	
1.13	TD904. 311K. 1-13	SCREW PLUG		2	
1.14	TC03311100025	SLEEVE		1	
1.15	GBT893. 1-100	RETAINING RING FOR HOLE		1	

TY3S311020000K FRONT DRIVE AXLE ASSEMBLY-5 (cont'd.)

No.	Part No.	Description	Version	QTY.	Remark
1. 16	GBT9877. 1-FB60X80X8D	ROTARY SHAFT LIP SEAL WITH INNER FRAME		1	
1. 17	TH04311010037	BAFFLE		1	
1. 18	TY3S311010007K	LIMIT PLATE		1	
2	TY3S311010004K	RIGHT TRANSMISSION ASSEMBLY		1	
2. 1	TC02311170063	DUSTPROOF CAP OF OIL CUP		1	
2. 2	JBT7940. 1-M10X1	STRAIGHT-THROUGH PRESSURE OIL CUP		1	
2. 3	TY3S311010009K	COVER		1	
2. 3. 1	TY3S311010005K	COVER		1	
2. 3. 2	TH04311010044	SLIDING BEARING		1	
2. 4	GBT9877. 1-FB60X80X8D	ROTARY SHAFT LIP SEAL WITH INNER FRAME		1	
2. 5	GBT16674. 1-M10X35-10. 9-A3L	HEX FLANGE BOLTS		6	
2. 6	TH04311010045b	STEERING SHAFT SEAT		1	
2. 7	TC02311010073	ADJUSTING WASHER		1	
2. 8	GBT276-6309	DEEP GROOVE BALL BEARING		2	
2. 9	TX1P311020013a	GEAR		1	
2. 9. 1	TX1P311020018a	GEAR		1	
2. 9. 2	TX1P311020017a	DRIVING GEAR		1	
2. 10	TC03311370013b	RIGHT TRANSMISSION CASE SHELL		1	
2. 11	GBT893. 1-100	RETAINING RING FOR HOLE		1	
2. 12	GBT3452. 1-21. 2X2. 65G	O-RING RUBBER SEAL FOR HYDRAULIC AND PNEUMATIC		1	
2. 13	TD904. 311K. 1-13	SCREW PLUG		1	
2. 14	TC03311100025	SLEEVE		1	

TY3S311020000K FRONT DRIVE AXLE ASSEMBLY-5 (cont'd.)

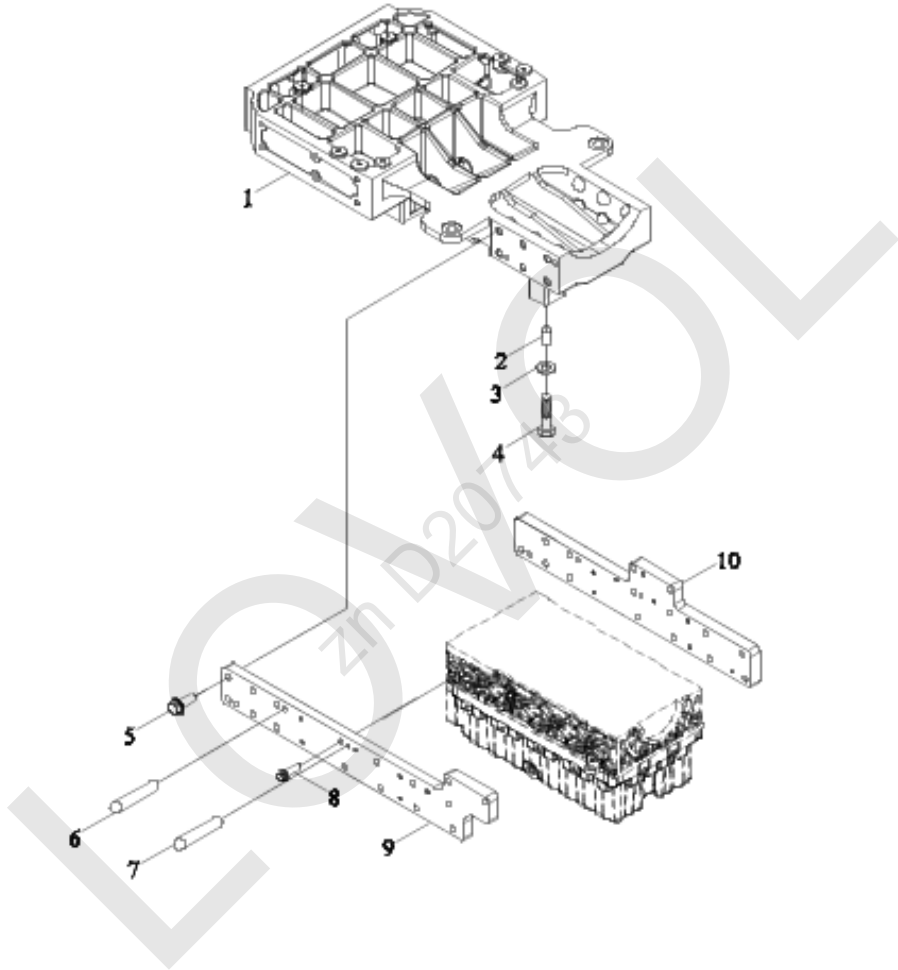
No.	Part No.	Description	Version	QTY.	Remark
2.15	TH04311010042	WASHER		1	
2.16	TY3S311010010K	LIMIT PLATE		1	

LOWELOW
zn D20743

LOWLOL
zn D20743

TB3S31204000K BRACKET ASSEMBLY



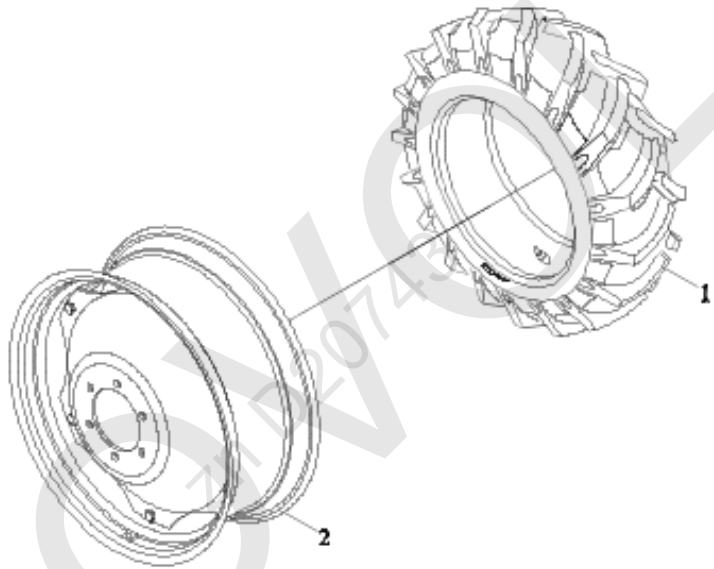


TB3S31204000K BRACKET ASSEMBLY

No.	Part No.	Description	Version	QTY.	Remark
	TB3S31204000K	BRACKET ASSEMBLY	003	1	
1	TB3S312040001K	FRONT BRACKET		1	
2	FT654. 31A. 106	LOCATING SLEEVE		4	
3	FT804. 31B. 120	WASHER		4	
4	GBT5785-M18X1. 5X80-10. 9-A3L	HEX HEAD BOLTS		4	
5	GBT16674. 1-M16X50-10. 9-A3L	HEX FLANGE BOLTS		12	
6	GBT119. 1-12h8X22-A3L	CYLINDRICAL PIN		4	
7	GBT119. 1-8h8X22-A3L	CYLINDRICAL PIN		2	
8	GBT16674. 1-M12X45-10. 9-A3L	HEX FLANGE BOLTS		20	
9	TB3S312040002K	LEFT SIDE PLATE		1	
10	TB3S312040003K	RIGHT SIDE PLATE		1	

TB3S320040000K FRONT DRIVING WHEEL ASSEMBLY

LOWVOL
zn D20743



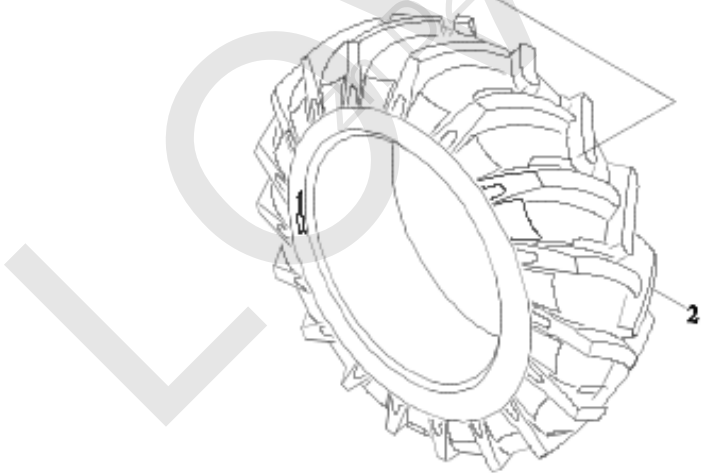
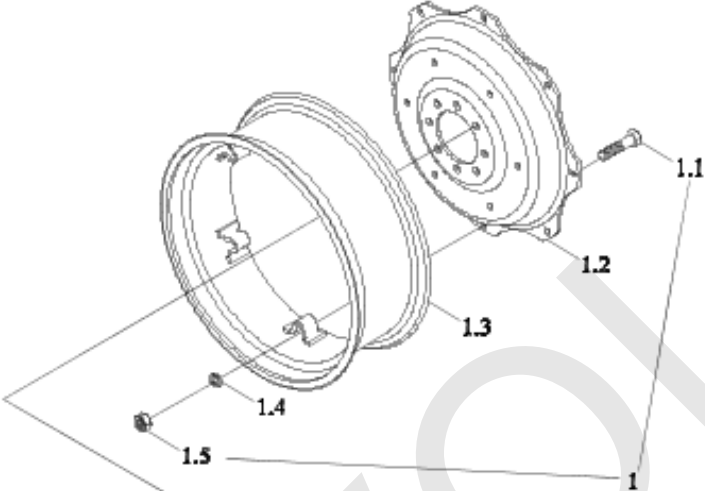
TB3S320040000K FRONT DRIVING WHEEL ASSEMBLY

No.	Part No.	Description	Version	QTY.	Remark
	TB3S320040000K	FRONT DRIVING WHEEL ASSEMBLY	002	1	
1	TB3S320040001K	TIRE		1	
2	TB3S320010001K	RIM WELDMENT		1	

LOW
zn D20743

TB3S340050000K REAR DRIVING WHEEL ASSEMBLY

LOWVOL
zn D20743

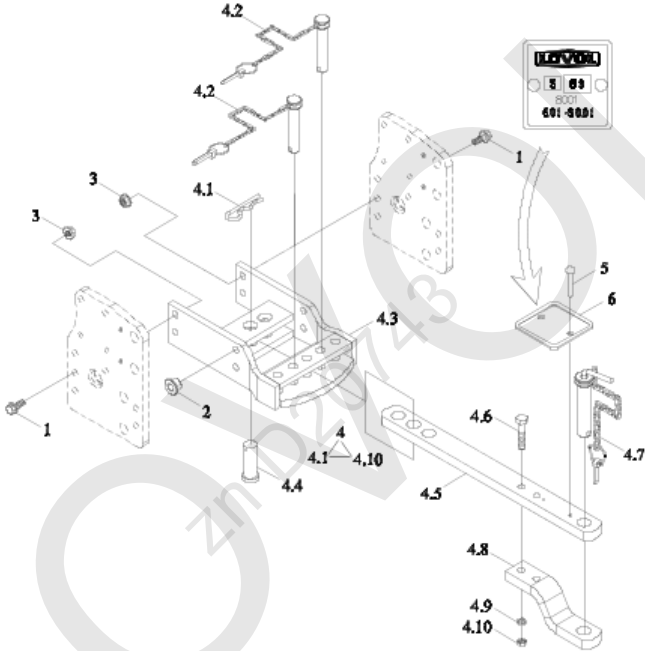


TB3S340050000K REAR DRIVING WHEEL ASSEMBLY

No.	Part No.	Description	Version	QTY.	Remark
	TB3S340050000K	REAR DRIVING WHEEL ASSEMBLY	001	1	
1	TC02340030001	RIM SPOKE ASSEMBLY		1	
1.1	FT650. 34. 107	RIM BOLT		8	
1.2	FT650. 34. 105b	SPOKE		1	
1.3	TC02340030002	RIM WELDMENT		1	
1.4	FT800. 34. 108	FLAT WASHERS		8	
1.5	GBT6171-M16X1. 5-10-A3L	TYPE 1 HEX NUT		8	
2	TB3S340050001K	TIRE		1	

TB1S350010000K TRACTION

LOWVOL
zn D20743

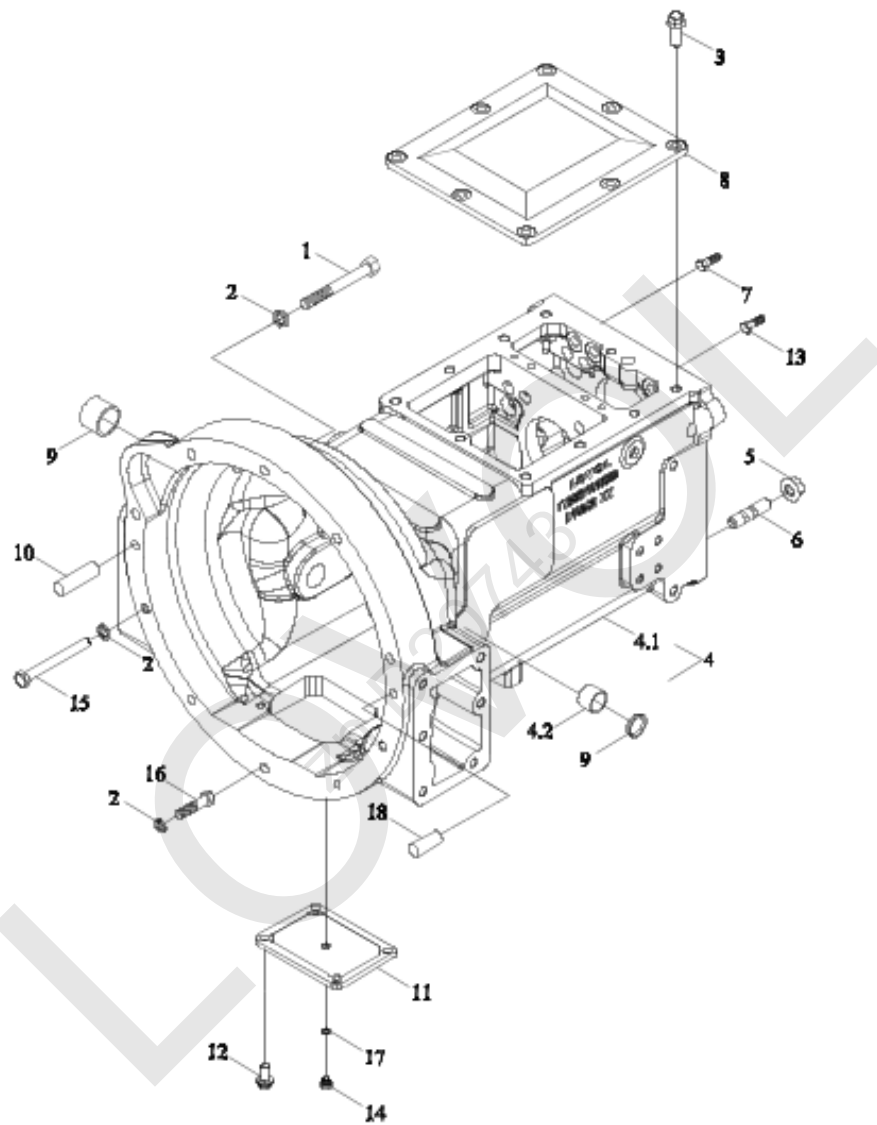


TB1S350010000K TRACTION

No.	Part No.	Description	Version	QTY.	Remark
	TB1S350010000K	TOWING MECHANISM INSTALLATION ASSEMBLY		1	
1	GBT5789-M16X60-8.8-A3L	HEXAGON FLANGE NUT		8	
2	TB1S350010001K	CONNECTING SLEEVE		2	
3	GBT6177.1-M16-8-A3L	HEXAGON FLANGE NUT		8	
4	TB1S350010003K	TRACTION DEVICE ASSEMBLY		1	
4.1	FT65.35.103	SPRING LOCK PIN		1	
4.2	TB400.35.1.1	LIMITING PIN AND LOCK PIN ASSEMBLY		2	
4.3	TB400.35C.1.1	TOWING BRACKET WELDMENT		1	
4.4	FT300.35A.103	CONNECTING PIN		1	
4.5	TB1S350010004K	SWING ROD		1	
4.6	TB400.35.1-03	BOLT M16X75		2	
4.7	TB400.35.1.2	TOWING PIN AND LOCK PIN ASSEMBLY		1	
4.8	TB400.35.1-02	CONNECTING SWING ROD		1	
4.9	GBT93-16-A3L	STANDARD SPRING WASHER		2	
4.10	GBT6170-M16-8-A3L	HEXAGON NUT, TYPE-1		2	
5	GBT827-3X8-A0P	LABEL RIVET		2	
6	TB1S350010002K	TRACTION ATTESTATION SCUTCHEON		1	

TB3S371020000K GEARBOX HOUSING

LOWEOL
zn D20743

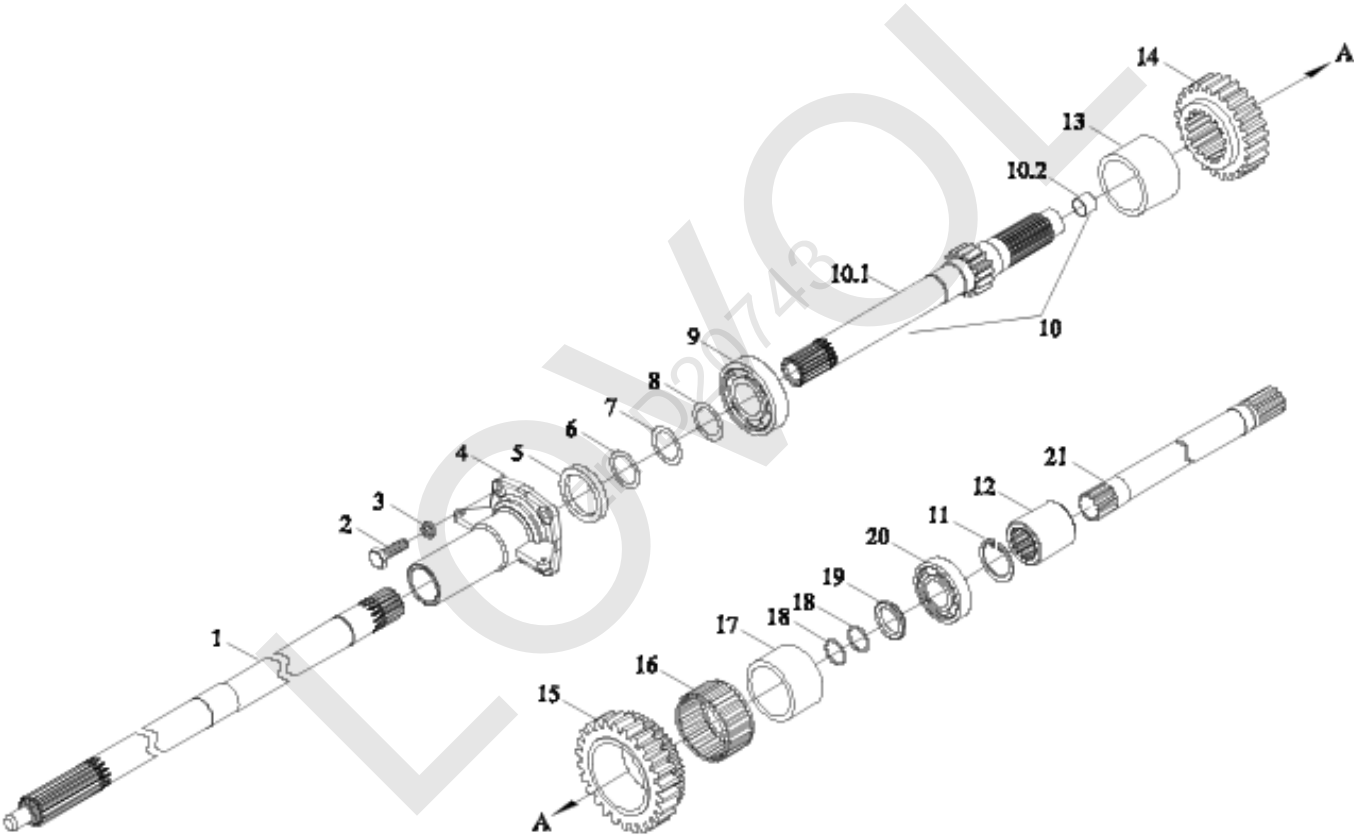


TB3S371020000K GEARBOX HOUSING

No.	Part No.	Description	Version	QTY.	Remark
	TB3S371020000K	GEARBOX HOUSING ASSEMBLY	002	1	
1	GBT5782-M12X80-10.9-A3L	HEX HEAD BOLTS		7	
2	GBT93-12-A3L	STANDARD SPRING WASHER		20	
3	GBT16674.1-M12X30-10.9-A3L	HEX FLANGE BOLTS		10	
4	TB3S371020001K	GEARBOX HOUSING		1	
4.1	TB3S371020003K	GEARBOX HOUSING		1	
4.2	TC03371040020a	COMPOUND SLEEVE 25X30X20		2	
5	GBT6171-M12X1.5-10-A3L	TYPE 1 HEX NUT		8	
6	GBT899-AM12-M12X1.5X35-10.9-A3 L	STUD		8	
7	GBT5785-M12X1.5X55-10.9-A3L	HEX HEAD BOLTS		1	
8	TB3S371010004K	GEARBOX UPPER COVER		1	
9	FT300.43.141	FRAMEWORK OIL SEAL		2	
10	GBT119.1-12m6X22-A3L	CYLINDRICAL PIN		2	
11	TB400.371E-03	LOWER PLUG COVER		1	
12	GBT16674.1-M10X20-8.8-A3L	HEX FLANGE BOLTS		4	
13	GBT5785-M12X1.5X60-10.9-A3L	HEX HEAD BOLTS		1	
14	Q617B10	HEXAGON PLUG		1	
15	GBT5782-M12X60-10.9-A3L	HEX HEAD BOLTS		2	
16	GBT5783-M12X40-10.9-A3L	HEX HEAD BOLTS		1	
17	JBT982-10	COMBINATION GASKET		1	
18	GBT119.1-12m6X30-A3L	CYLINDRICAL PIN		2	

LOWVOL
zn D20743

TB3S37202000K MAIN GEARSHIFT ASSEMBLY-1



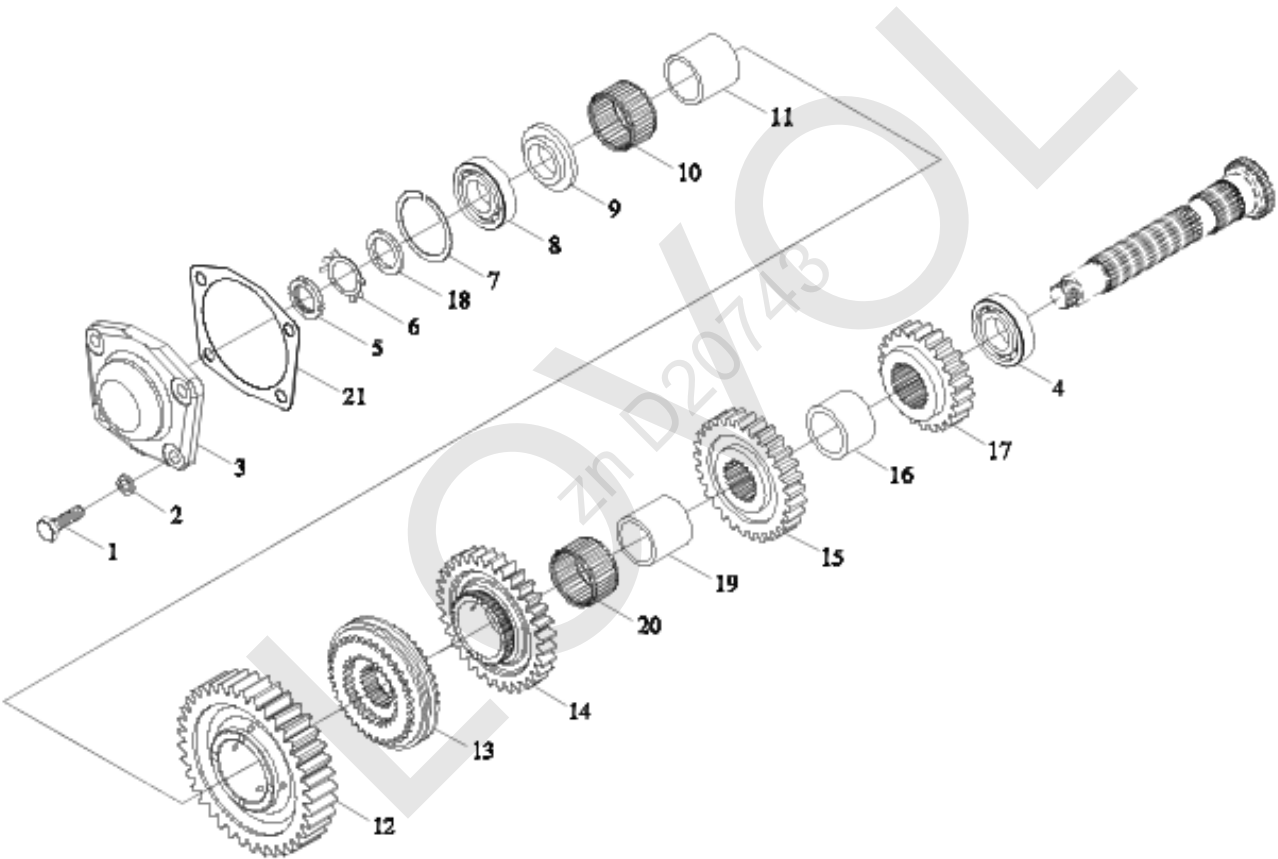
TB3S372020000K MAIN GEARSHIFT ASSEMBLY-1

No.	Part No.	Description	Version	QTY.	Remark
	TB3S372020000K	MAIN GEARSHIFT ASSEMBLY	003	1	
1	TS04372040001	AUXILIARY CLUTCH SHAFT		1	
2	GBT5783-M8X25-8. 8-A2L	HEX HEAD BOLTS		8	
3	GBT93-8-A3L	STANDARD SPRING WASHER		8	
4	TB1S372010001K	SHAFT I BEARING COVER		1	
5	GBT9877. 1-FB40X62X8F	ROTARY SHAFT LIP SEAL WITH INNER FRAME		1	
6	TB604. 372T-12	I SHAFT ADJUSTING WASHER		1	
7	TB604. 372T-13	I SHAFT ADJUSTING WASHER		1	
8	TB604. 372T-14	I SHAFT ADJUSTING WASHER		1	
9	GBT283-NJ208E	COLUMN ROLLER BEARING		1	
10	TB4S372010002K	SHAFT I UNIT		1	
10.1	TB4S372010001K	SHAFT I		1	
10.2	FT300. 37. 170	BUSHING		1	
11	GBT893. 1-21	RETAINING RING FOR HOLE		1	
12	FT300. 37. 136	CONNECTING SLEEVE		1	
13	TB550. 372-20	I-II GEAR SPACER		1	
14	TB3S372020004	II DRIVING GEAR		1	
15	TB3S372020006	III DRIVING GEAR		1	
16	TB604. 372T-17	ROLLER NEEDLE BEARING K47X52X28		1	
17	TB604. 372T-16	I II GEAR BUSH		1	
18	GBT3452. 1-23. 6X1. 80G	O-RING RUBBER SEAL FOR HYDRAULIC AND PNEUMATIC		2	
19	TB604. 372T-04	WASHER		1	

TB3S372020000K MAIN GEARSHIFT ASSEMBLY-1 (cont'd.)

No.	Part No.	Description	Version	QTY.	Remark
20	TS04372030010	COLUMN ROLLER BEARING NJ1007E		1	
21	TB1S372010008Ka	PTO CONNECTING SHAFT		1	

TB3S37202000K MAIN GEARSHIFT ASSEMBLY-2



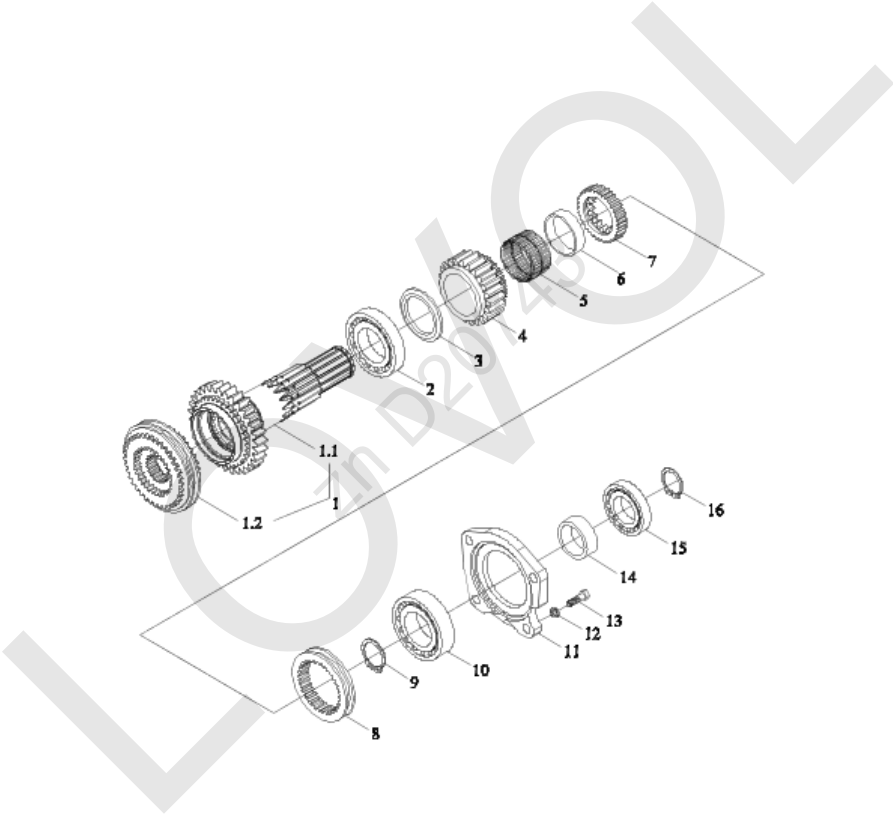
TB3S37202000K MAIN GEARSHIFT ASSEMBLY-2

No.	Part No.	Description	Version	QTY.	Remark
	TB3S37202000K	MAIN GEARSHIFT ASSEMBLY		1	
1	GBT5783-M8X25-8. 8-A2L	HEX HEAD BOLTS		8	
2	GBT93-8-A3L	STANDARD SPRING WASHER		8	
3	TB3S372020016	SHAFT II BEARING COVER		1	
4	GBT283-NUP208E	COLUMN ROLLER BEARING		1	
5	GBT812-M24X1. 5	ROUND NUT		1	
6	GBT858-24	TAB WASHER FOR ROUND NUT		1	
7	TB3S372020019	THRUST RING		1	
8	TB3S372020013	COLUMN ROLLER BEARING		1	
9	TB3S372020012	SHAFT II END RETAINER RING		1	
10	TB3S372020021	ROLLER NEEDLE BEARING		1	
11	TB3S372020009a	1 GEAR SLEEVE		1	
12	TB3S372020002	I DRIVEN GEAR		1	
13	TB3S372020011	SYNCHRONIZER ASSEMBLY		1	
14	TB3S372020005	II DRIVEN GEAR		1	
15	TB3S372020007	III DRIVEN GEAR		1	
16	TB3S372020014	SPACER BUSH		1	
17	TB3S372020008	IV DRIVEN GEAR		1	
18	TB3S372020015	RETAINER RING		1	
19	TB3S372020010a	SLEEVE		1	
20	TB3S372020020	ROLLER NEEDLE BEARING		1	
21	FT300. 37. 119	SHAFT II BEARING COVER PAPER GASKET		1	

LOWVOLT
zn D20743

LOWLOL
zn D20743

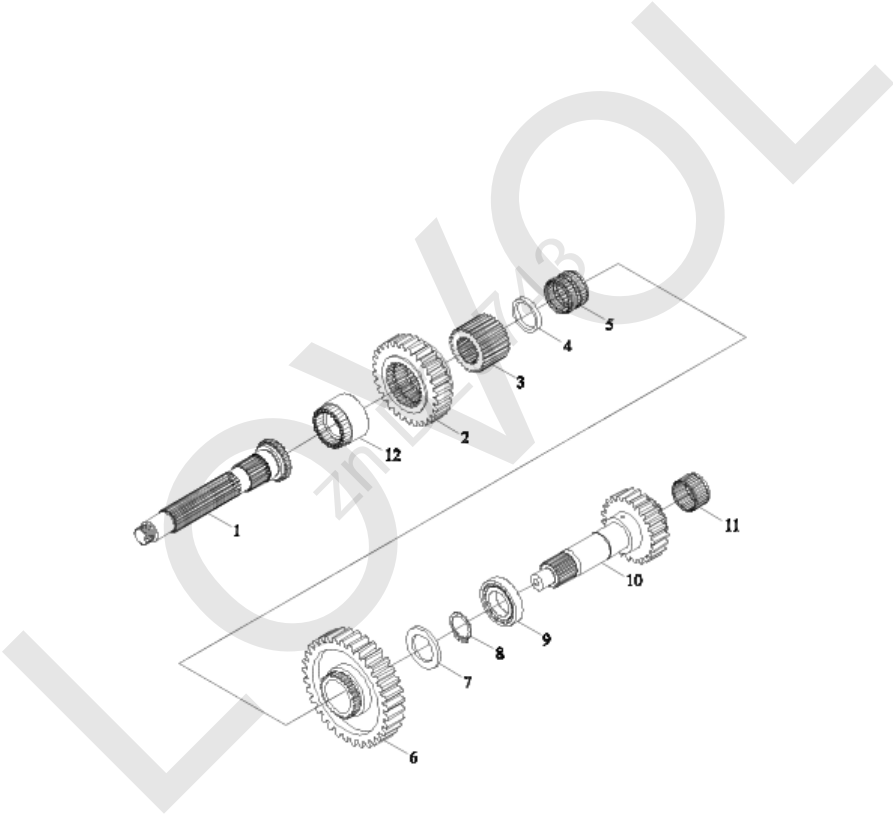
TB3S373010000 AUXILIARY TRANSMISSION-1



TB3S373010000 AUXILIARY TRANSMISSION-1

No.	Part No.	Description	Version	QTY.	Remark
	TB3S373010000	AUXILIARY GEARSHIFT ASSEMBLY	005	1	
1	TB3S373010006	SYNCHRONIZER ASSEMBLY		1	
1.1	TB3S373010003	CONE RING WELDMENT		1	
1.2	TB604. 372T. 3	SYNCHRONIZER ASSEMBLY		1	
2	GBT283-NUP210E	COLUMN ROLLER BEARING		1	
3	TB550. 373-02	RETAINING RING		1	
4	TB3S373010001	MIDDLE GEAR DRIVING GEAR		1	
5	TB550. 373-12	ROLLING BEARING KK50X55X30		1	
6	TB550. 373-04b	SPACER		1	
7	TB550. 373-05b	MIDDLE GEAR MESHING GEAR SEAT		1	
8	TB550. 373-06a	MIDDLE GEAR SHIFT COLLAR		1	
9	GBT894. 1-50	RETAINING RING FOR SHAFT		1	
10	TB604. 373T. 6	COLUMN ROLLER BEARING		1	
11	FT300. 37. 139	AUXILIARY GEARSHIFT BEARING COVER		1	
12	GBT93-10-A3L	STANDARD SPRING WASHER		4	
13	GBT5783-M10X30-8. 8-A3L	HEX HEAD BOLTS		4	
14	FT300. 37J. 180	SPACER		1	
15	GBT283-NF208	COLUMN ROLLER BEARING		1	
16	GBT894. 1-40	RETAINING RING FOR SHAFT		1	

TB3S373010000 AUXILIARY TRANSMISSION-2



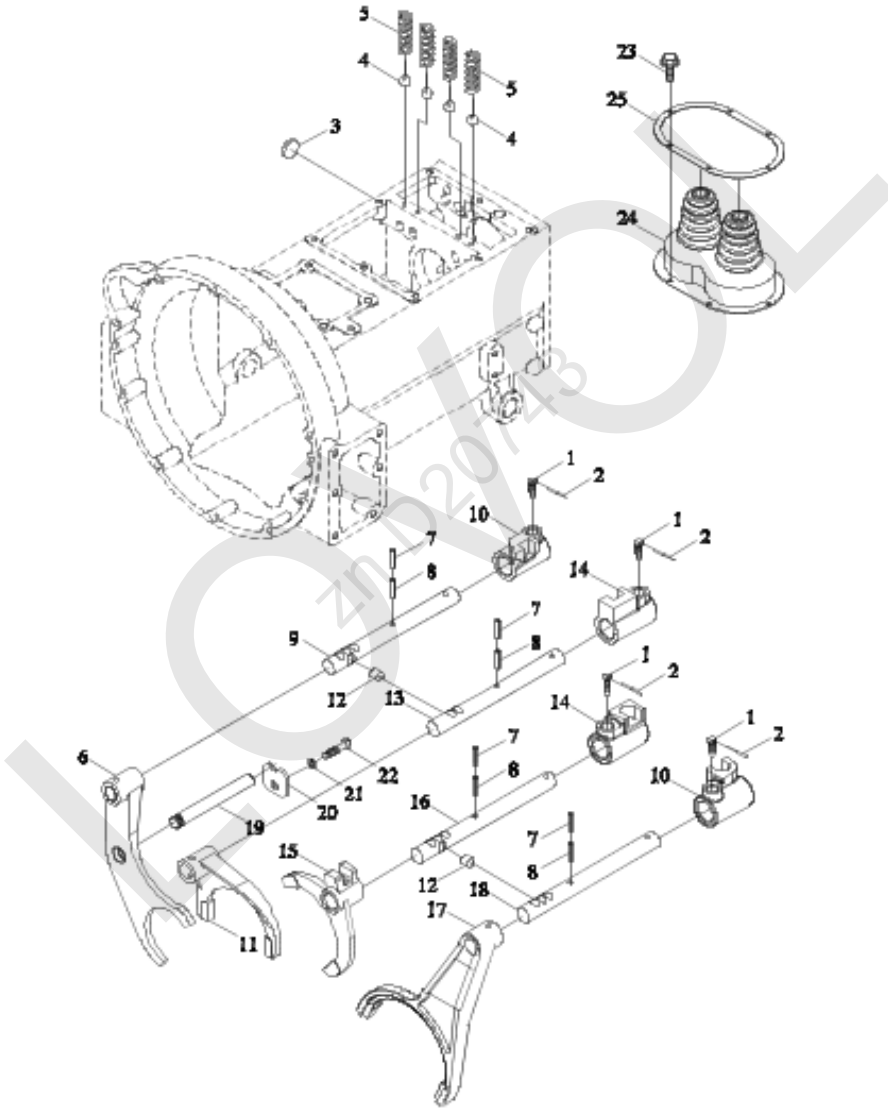
TB3S373010000 AUXILIARY TRANSMISSION-2

No.	Part No.	Description	Version	QTY.	Remark
	TB3S373010000	AUXILIARY GEARSHIFT ASSEMBLY		1	
1	TB3S373010004	SHAFT II		1	
2	TB3S373010002	MIDDLE GEAR DRIVEN GEAR		1	
3	TB550. 373-09	REVERSE GEAR MESHING SEAT		1	
4	FT300. 37. 111	SPACER		1	
5	QLWZB120-K35X43X34ZW	NEEDLE ROLLER BEARING-K30X35X17		1	
6	FT450. 37. 103	AUXILIARY GEARSHIFT DRIVEN GEAR		1	
7	FT300. 38J. 202	ADJUSTING WASHER		1	
7	FT300. 38J. 219	ADJUSTING WASHER		1	
7	FT300. 38J. 220	ADJUSTING WASHER		1	
7	FT300. 38J. 221	ADJUSTING WASHER		1	
7	FT300. 38J. 224	ADJUSTING WASHER		1	
7	FT300. 38J. 237	ADJUSTING WASHER		1	
7	FT300. 38J. 238	ADJUSTING WASHER		1	
8	GBT894. 1-35	RETAINING RING FOR SHAFT		1	
9	GBT283-NUP307E	COLUMN ROLLER BEARING		1	
10	TS04373030007a	AUXILIARY GEARSHIFT DRIVEN SHAFT		1	
11	GBT20056-K28X35X20	NEEDLE AND CARRIER COMBINATION		1	
12	TS04373030008	NEEDLE		1	

LOWLOL
zn D20743

LOWLOL
zn D20743

TB3S374020000K CONTROL MECHANISM ASSEMBLY (GEARSHIFT) -1



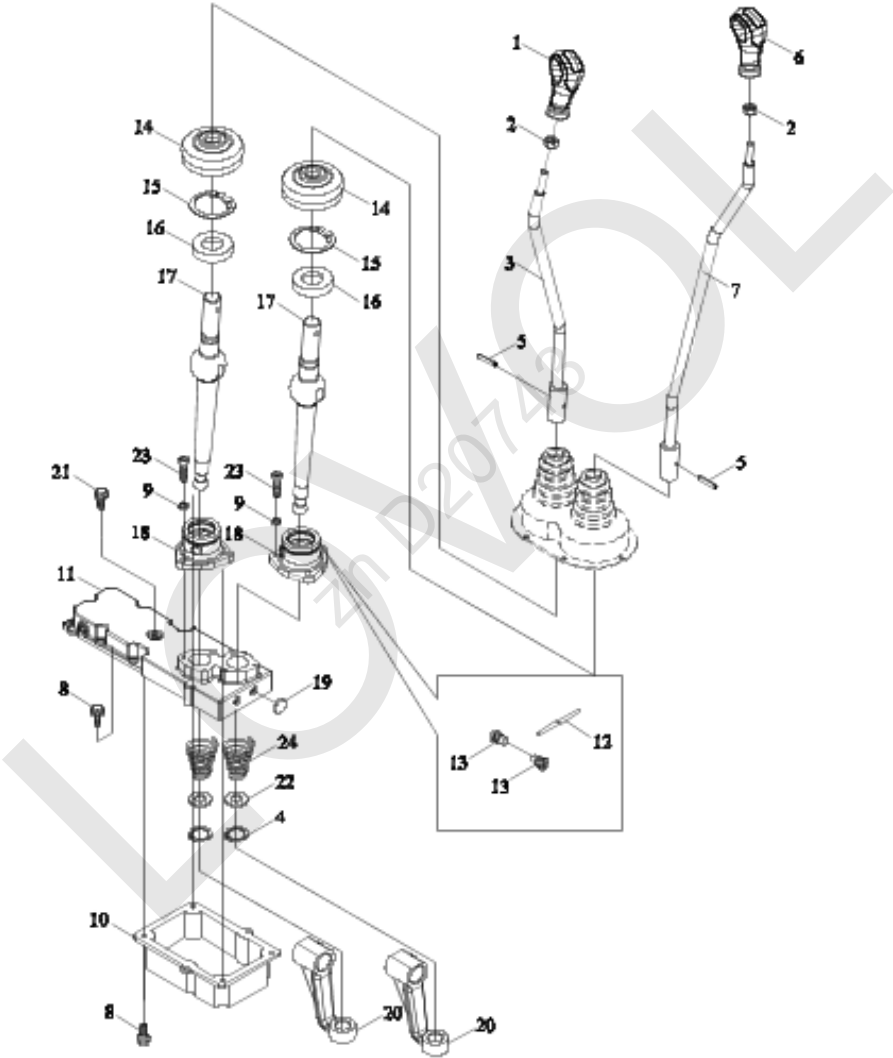
TB3S374020000K CONTROL MECHANISM ASSEMBLY (GEARSHIFT) -1

No.	Part No.	Description	Version	QTY.	Remark
	TB3S374020000K	GEARBOX CONTROL MECHANISM ASSEMBLY	001	1	
1	TB504. 374-01	SET SCREW M16X1. 5		4	
2	TF1004. 374-02	LOW CARTON STEEL WIRE SZ-1. 4X250		4	
3	Q72214	PLUG PIECE		2	
4	GBT308-8-G100-b	STEEL BALL		4	
5	BZF0027. 1-047	COMPRESS SPRING		4	
6	TB550. 374-03b	HIGH AND LOW GEAR FORK		1	
7	GBT879. 1-3X24	ELASTIC CYLINDRICAL PIN		4	
8	GBT879. 1-5X24	ELASTIC CYLINDRICAL PIN		4	
9	TB604. 374B-03	HIGH AND LOW GEAR FORK SHAFT		1	
10	TB604. 374B-05a	I-II GEAR FORK HEAD		2	
11	TB550. 374-04a	MIDDLE GEAR FORK		1	
12	FT300. 37. 151	MUTUAL PIN		2	
13	TB604. 374B-04	MIDDLE GEAR FORK SHAFT		1	
14	TB604. 374B-06a	III-IV FORK HEAD		2	
15	TB604. 374A-01	III-IV FORK		1	
16	TB604. 374B-09	SLEEVE PRESSURE PLATE		1	
17	TB604. 374A-04	I-II GEAR FORK		1	
18	TB604. 374B-01	I-II GEAR FORK SHAFT		2	
19	TS04374010012	SUPPORT SHAFT		1	
20	TS04374010013	POSITIONING PLATE		1	
21	GBT93-8-A3L	STANDARD SPRING WASHER		1	
22	GBT5783-M8X20-8. 8-A3L	HEX HEAD BOLTS		1	

TB3S374020000K CONTROL MECHANISM ASSEMBLY (GEARSHIFT)-1 (cont'd.)

No.	Part No.	Description	Version	QTY.	Remark
23	GBT5789-M6X12-8.8-A2L	HEX FLANGE BOLTS		6	
24	TB604.374B-08	GEARLEVER SLEEVE		1	

TB3S374020000K CONTROL MECHANISM ASSEMBLY (GEARSHIFT) -2



TB3S374020000K CONTROL MECHANISM ASSEMBLY (GEARSHIFT) -2

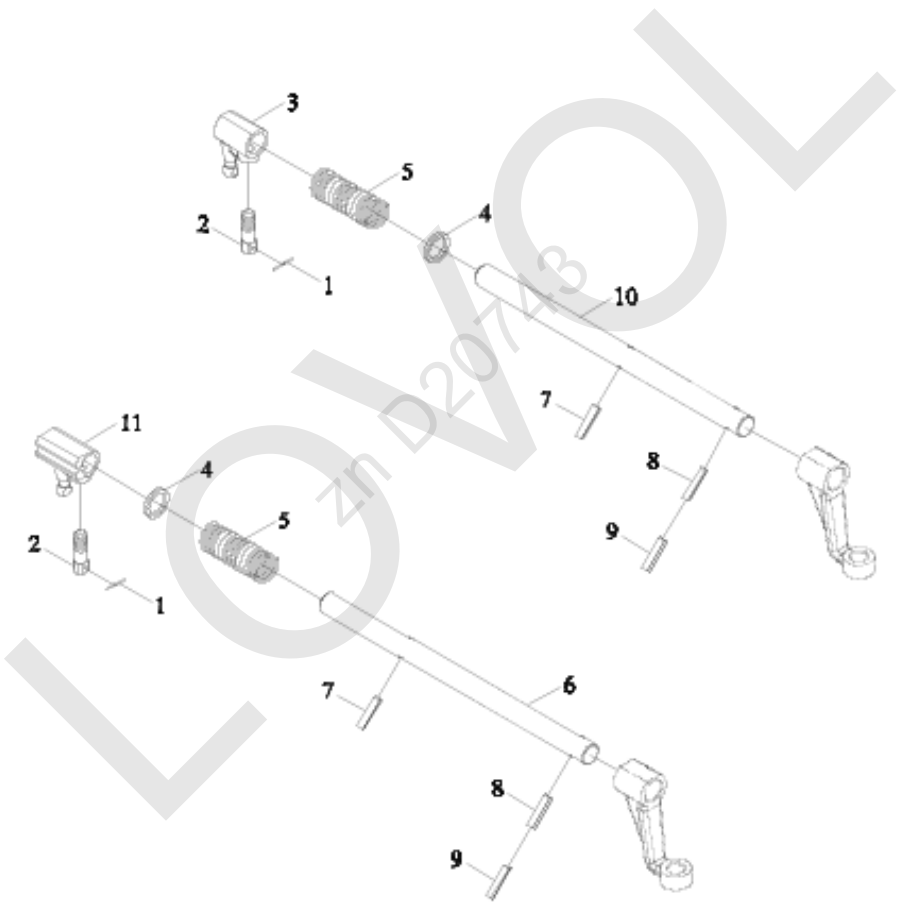
No.	Part No.	Description	Version	QTY.	Remark
	TB3S374020001K	SIDE CONTROL MECHANISM ASSEMBLY		1	
	TB3S374020000K	GEARBOX CONTROL MECHANISM ASSEMBLY		1	
1	TS04374010001	MAIN GEARSHIFT CONTROL HANDLE		1	
2	GBT6172. 1-M10-04-A3L	HEXAGON THIN NUT		2	
3	TS04374050001	MAIN GEARLEVER WELDMENT		1	
4	TB604. 374B. 1-14	RETAINING RING FOR SHAFT		2	
5	QLWZB140-5X28	PIN		2	
6	TS04374010002	AUXILIARY GEARSHIFT CONTROL HANDLE		1	
7	TS04374050003	ASSISTANT GEARLEVER WELDMENT		1	
8	GBT16674. 1-M8X20-8. 8-A2L	HEX FLANGE BOLTS		13	
9	GBT93-8-A3L	STANDARD SPRING WASHER		6	
10	TB604. 374B. 1-02	SIDE CONTROL LOWER COVER		1	
11	TB1S374010002K	SIDE CONTROL UPPER COVER		1	
12	TF1004. 374-02	LOW CARTON STEEL WIRE SZ-1. 4X250		4	
13	TH04383020028	GEARLEVER LOCATING PIN		4	
14	FT300. 37. 166a	GEARLEVER DUSTPROOF BONNET		2	
15	GBT893. 1-40	RETAINING RING FOR HOLE		2	
16	FT800A. 37. 305	NYLON SEAT		2	
17	TB604. 374B. 1-09	LOWER CONTROL ROD		2	
18	TB504. 374-06	AUXILIARY GEARLEVER SEAT		2	
19	Q72220	PLUG PIECE		2	
20	TB604. 374B. 1-06	FORK HEAD		2	
21	GBT16674. 1-M8X50-8. 8-A2L	HEX FLANGE BOLTS		1	

TB3S374020000K CONTROL MECHANISM ASSEMBLY (GEARSHIFT) -2 (cont'd.)

No.	Part No.	Description	Version	QTY.	Remark
22	GBT97. 1-16-A3L	FLAT WASHERS		2	
23	GBT70. 1-M8X25-8. 8-A2L	HEXAGON SOCKET HEAD CAP SCREW		6	
24	TB604. 374B. 1-15	GEARLEVER SPRING		2	

LOWVOL
zn D20743

TB3S374020000K CONTROL MECHANISM ASSEMBLY (GEARSHIFT) -3



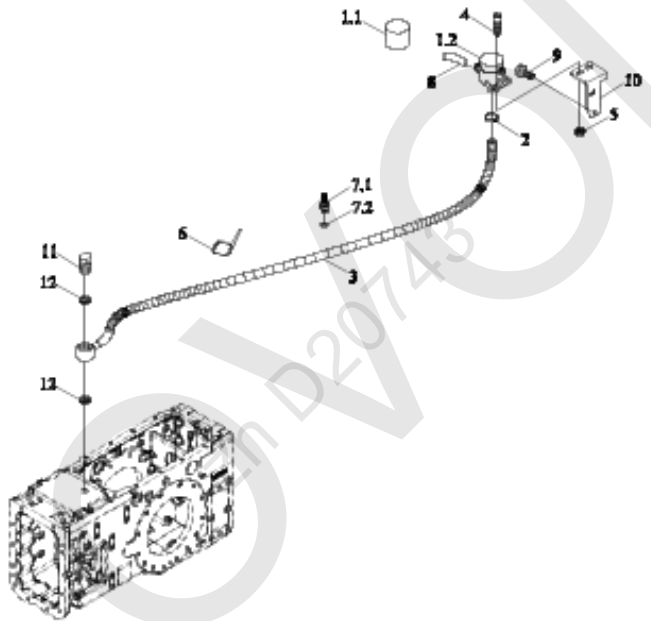
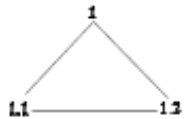
TB3S374020000K CONTROL MECHANISM ASSEMBLY (GEARSHIFT) -3

No.	Part No.	Description	Version	QTY.	Remark
	TB3S374020000K	GEARBOX CONTROL MECHANISM ASSEMBLY		1	
	TB3S374020001K	SIDE CONTROL MECHANISM ASSEMBLY		1	
1	TF1004. 374-02	LOW CARTRON STEEL WIRE SZ-1. 4X250		4	
2	TB504. 374-01	SET SCREW M16X1. 5		2	
3	TB604. 374B. 1-05a	SIDE CONTROL INNER FORK HEAD		1	
4	TB604. 374B. 1-08	SPRING WASHER		2	
5	TB604. 374B. 1-07	LOCATING SPRING		2	
6	TB604. 374B. 1-03a	MAIN SPEED TRANSMISSION ROD		1	
7	GBT879. 1-6X24	ELASTIC CYLINDRICAL PIN		2	
8	GBT879. 1-3. 5X28	ELASTIC CYLINDRICAL PIN		2	
9	GBT879. 1-6X28	ELASTIC CYLINDRICAL PIN		2	
10	TB604. 374B. 1-04a	AUXILIARY GEAR ROD		1	
11	TB1S374010003aK	SIDE CONTROL INNER FORK HEAD		1	

LOWVOL
zn D20743

TM3B375010000K BREATHING APPARATUS

LOWVOL
zn D20743

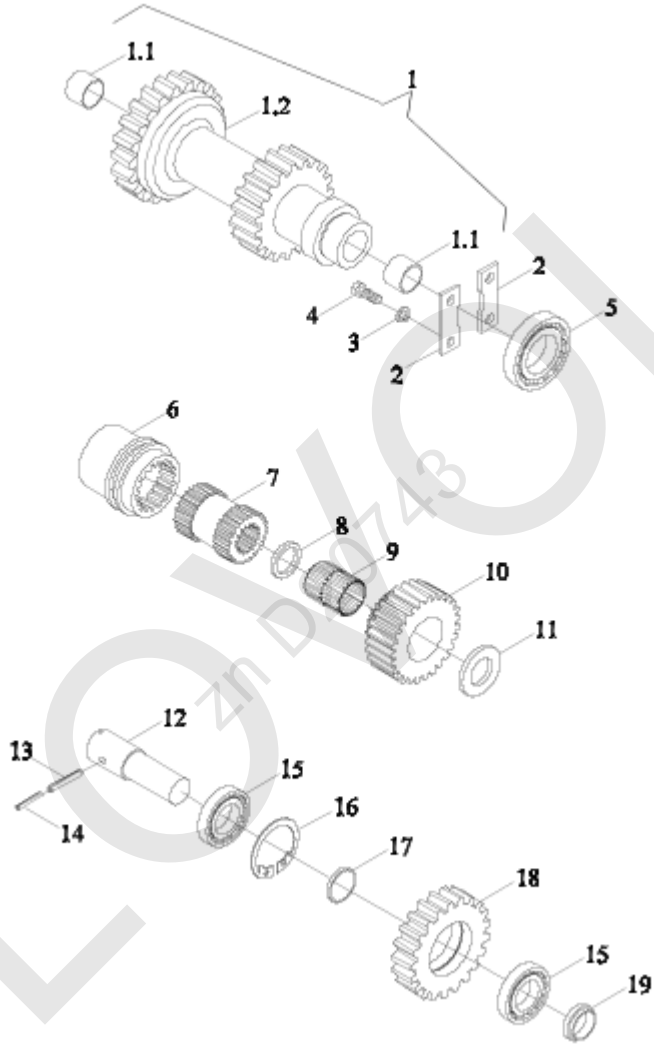


TM3B375010000K BREATHING APPARATUS

No.	Part No.	Description	Version	QTY.	Remark
	TM3B375010000K	BREATH ASSEMBLY	001	1	
1	TL02551020002	BREATH ASSEMBLY		1	
1.1	TL02551020007	BREATH FILTER ELEMENT		1	
1.2	TL02551020008	BREATH FILTER SEAT		1	
2	Q67516	A TYPE WORM DRIVE TYPE HOSE HOOP		3	
3	TC03375010005	BREATHING HOSE		1	
4	GBT70. 1-M8X20-8. 8-A2L	HEXAGON SOCKET HEAD CAP SCREW		2	
5	GBT6177. 1-M8-8-A2L	HEXAGON FLANGE NUT		2	
6	Q67407200	PLASTIC FASTENING STRIP		1	
7	TC03375010001	BREATH JOINT		1	
7.1	TC03375010002	BREATH JOINT		1	
7.2	TS09580010004	O-RING		1	
8	TB1S375010003K	BREATH HOSE 8X2X380		1	
9	GBT16674. 1-M8X16-8. 8-A2L	HEX FLANGE BOLTS		2	
10	TB1S375010001K	BREATHER INSTALLATION PLATE		1	
11	Q617B14	HEXAGON PLUG		1	
12	JBT982-14	COMBINATION GASKET		1	

TB704. 381 SHUTTLE GEARSHIFT ASSEMBLY

LOWVOL
zn D20743



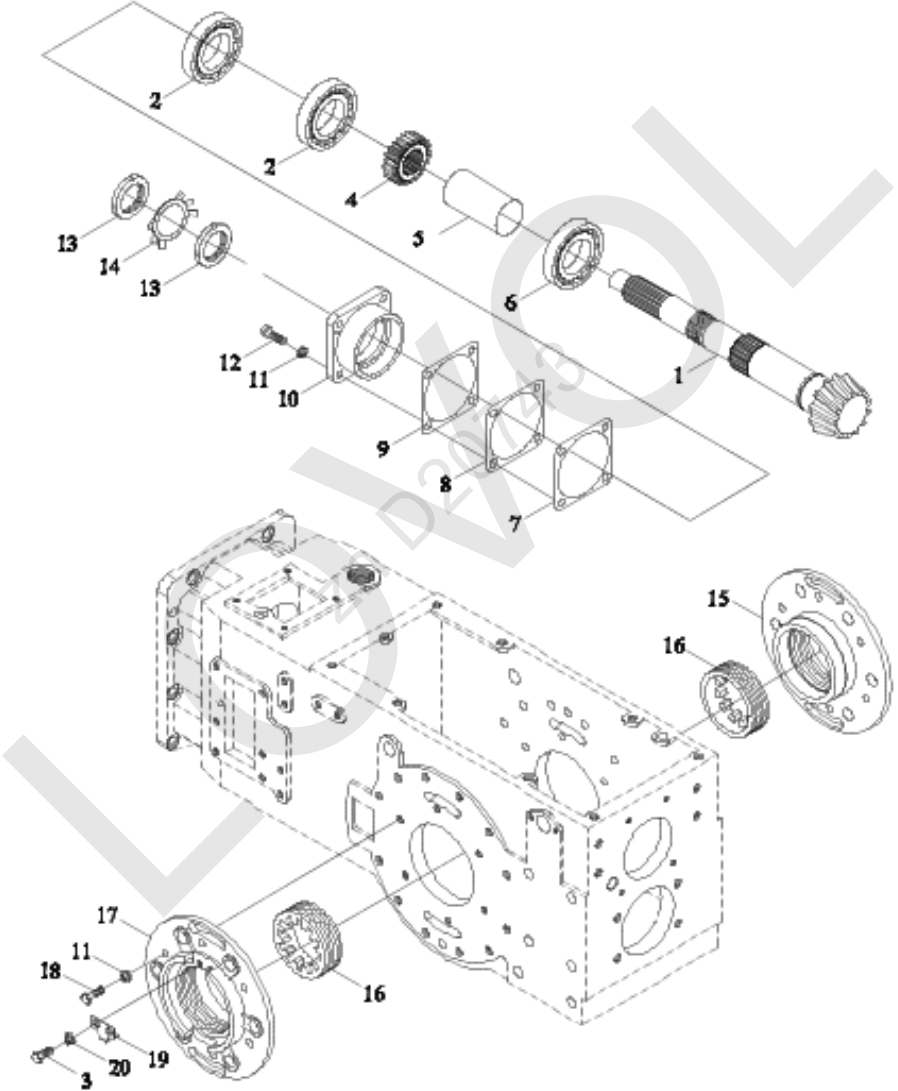
TB704. 381 SHUTTLE GEARSHIFT ASSEMBLY

No.	Part No.	Description	Version	QTY.	Remark
	TB704. 381	SHUTTLE SHIFT ASSEMBLY	001	1	
1	TB450. 38J. 1	REVERSE MIDDLE SHAFT ASSEMBLY		1	
1.1	FT300. 37. 170	BUSHING		2	
1.2	TB450. 38J. 1-01	REVERSE MIDDLE GEAR SHAFT		1	
2	FT300. 38J. 204	BEARING PRESSURE PLATE		2	
3	GBT93-10-A0P	STANDARD SPRING WASHER		4	
4	GBT5783-M10X25-8. 8-A3L	HEX HEAD BOLTS		4	
5	GBT283-NJ208E	COLUMN ROLLER BEARING		1	
6	TB704. 381-03	SHIFT COLLAR		1	
7	TB704. 381-02	MESHING SEAT		1	
8	TB704. 381-05	SPACER		1	
9	JBT7918-K40X47X40-ZW	NEEDLE AND CARRIER COMBINATION		1	
10	TB704. 381-01	REVERSE DRIVEN GEAR		1	
11	TB704. 381-04	ADJUSTING WASHER		1	
12	TB450. 38J-07	REVERSE IDLER GEAR SHAFT		1	
13	GBT879. 1-8X30	ELASTIC CYLINDRICAL PIN		1	
14	GBT879. 1-5X30	ELASTIC CYLINDRICAL PIN		1	
15	GBT283-NJ206E	COLUMN ROLLER BEARING		2	
16	GBT893. 1-62	RETAINING RING FOR HOLE		1	
17	TB554. 381-02	GASKET		1	
18	TB450. 38J-06	REVERSE IDLER GEAR		1	
19	TB450. 38J-08	REVERSE IDLER GEAR SHAFT SPACER SLEEVE		1	

LOWLOL
zn D20743

LOWLOL
zn D20743

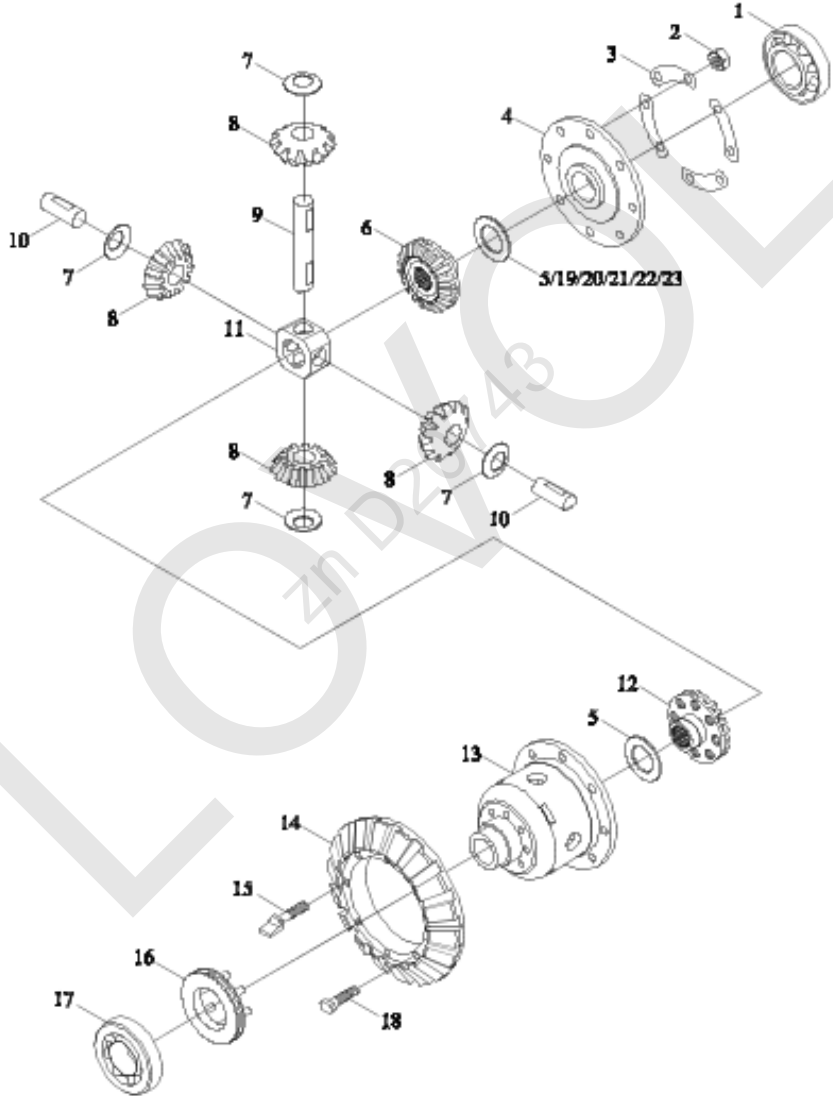
TB3S382050000K CENTRAL TRANSMISSION ASSEMBLY (REAR AXLE) -1



TB3S382050000K CENTRAL TRANSMISSION ASSEMBLY (REAR AXLE) -1

No.	Part No.	Description	Version	QTY.	Remark
	TB3S382050000K	REAR AXLE CENTRAL TRANSMISSION ASSEMBLY	002	1	
1	TB704. 382-01	SMALL TAPER GEAR SHAFT		1	
2	GBT297-33109	TAPERED ROLLER BEARING-30211-J2-Q		2	
3	TB554. 382-01	BOLT		4	
4	TB3S382050001K	TRANSFER CASE DRIVING GEAR		1	
5	TB704. 382-03	SPACER		1	
6	GBT283-NUP2210E	COLUMN ROLLER BEARING		1	
7	FT300. 38. 118	TAPER GEAR SHAFT ADJUSTING GASKET		1	
8	FT300. 38. 119	TAPER GEAR SHAFT ADJUSTING GASKET		1	
9	FT300. 38. 120	TAPER GEAR SHAFT ADJUSTING GASKET		1	
10	TB704. 382-02	BEARING BLOCK		1	
11	GBT93-10-A3L	STANDARD SPRING WASHER		16	
12	GBT5783-M10X30-8. 8-A3L	HEX HEAD BOLTS		4	
13	TB704. 382-04	Round nut M45X1. 5		2	
14	GBT858-45	TAB WASHER FOR ROUND NUT		1	
15	FT300. 38. 177	RIGHT DIFFERENTIAL BEARING SEAT		1	
16	FT300. 38. 151	ADJUSTING NUT		2	
17	FT300. 38. 142	LEFT DIFFERENTIAL BEARING SEAT		1	
18	GBT5783-M10X25-8. 8-A3L	HEX HEAD BOLTS		12	
19	FT300. 38. 161	LOCK WASHER		2	
20	GBT93-8-A3L	STANDARD SPRING WASHER		4	

TB3S382050000K CENTRAL TRANSMISSION ASSEMBLY (REAR AXLE) -2



TB3S382050000K CENTRAL TRANSMISSION ASSEMBLY (REAR AXLE) -2

No.	Part No.	Description	Version	QTY.	Remark
	TB3S382050000K	REAR AXLE CENTRAL TRANSMISSION ASSEMBLY		1	
	FT300. 38. 012	DIFFERENTIAL ASSEMBLY		1	
1	GBT297-32013	TAPERED ROLLER BEARING-30211-J2-Q		1	
2	GBT6170-M12-8-A3L	TYPE 1 HEX NUT		8	
3	FT300. 38. 152	LOCKING WASHER		4	
4	FT300. 38. 181	DIFFERENTIAL COVER		1	
5	FT300. 38. 147	SPACER		2	
6	FT300. 38. 144	RIGHT HALF SHAFT GEAR		1	
7	FT300. 38. 148	PLANETARY HOUSING PAD		4	
8	FT300. 38. 145	PLANETARY GEAR		4	
9	FT300. 38. 182	LONG PLANETARY GEAR SHAFT		1	
10	FT300. 38. 183	SHORT PLANETARY GEAR SHAFT		2	
11	FT300. 38. 184	CENTRAL RING		1	
12	FT300. 38. 143	LEFT HALF SHAFT GEAR		1	
13	FT300. 38. 180	DIFFERENTIAL COVER		1	
14	FT300. 38. 141	BIG TAPER GEAR		1	
15	FT300. 38. 185	PLANET GEAR SHAFT THRUST BOLT		4	
16	FT300. 38. 019	DIFFERENTIAL LOCK		1	
17	GBT297-30211	TAPERED ROLLER BEARING-30211-J2-Q		1	
18	FT300. 38. 186	FIXING BOLT		4	
19	FT300. 38. 196	SPACER		2	
20	FT300. 38. 197	SPACER		2	
21	FT300. 38. 198	SPACER		2	

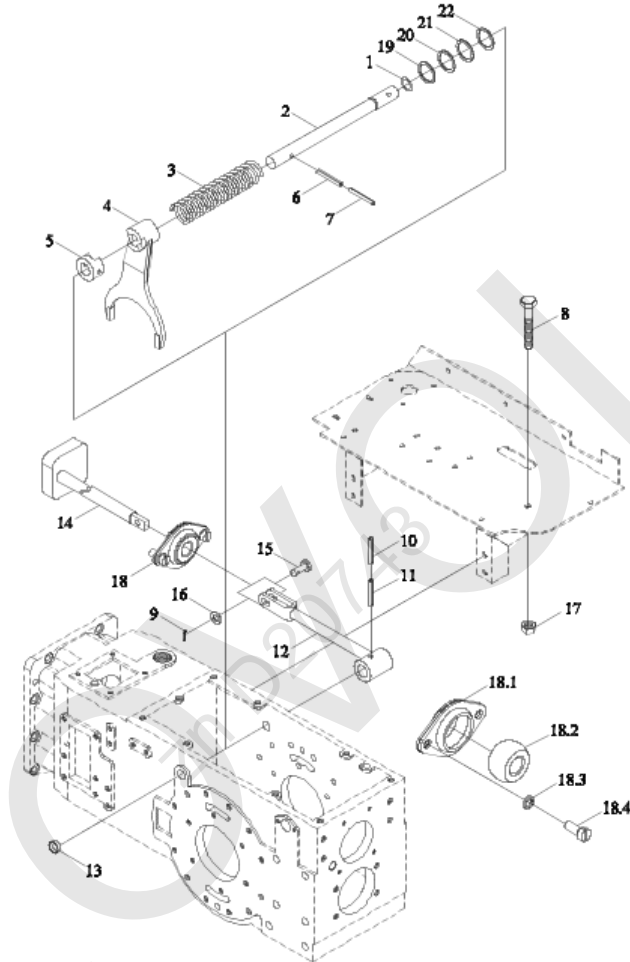
TB3S382050000K CENTRAL TRANSMISSION ASSEMBLY (REAR AXLE) -2 (cont'd.)

No.	Part No.	Description	Version	QTY.	Remark
22	FT300.38.199	SPACER		2	
23	FT300.38.200	SPACER		2	

LOWLOL
zn D20743

TS04383010000 CONTROL MECHANISM ASSEMBLY (DIFFERENTIAL)

LOWVOL
zn D20743



TS04383010000 CONTROL MECHANISM ASSEMBLY (DIFFERENTIAL)

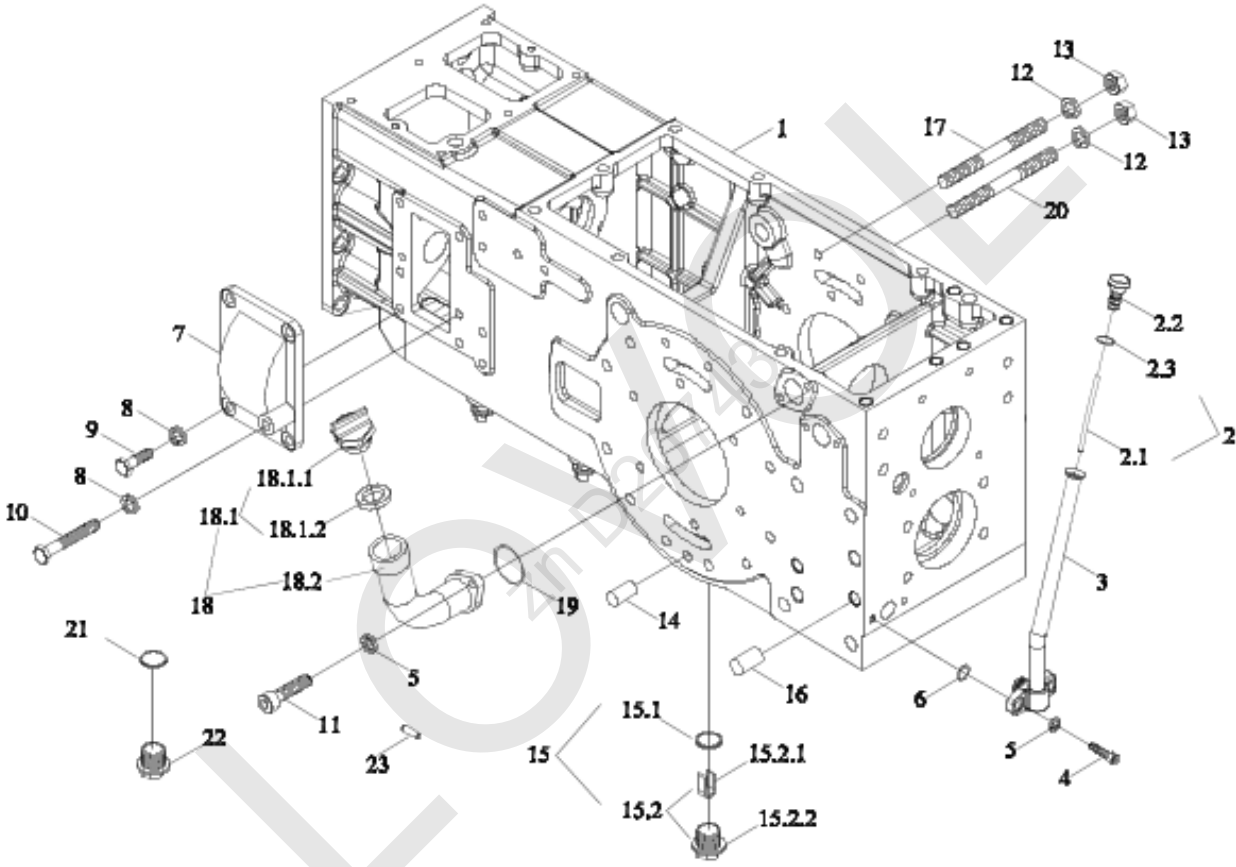
No.	Part No.	Description	Version	QTY.	Remark
	TS04383010000	DIFFERENTIAL LOCK CONTROL MECHANISM ASSEMBLY		1	
1	GBT3452. 1-15. 0X2. 65G	O-RING RUBBER SEAL FOR HYDRAULIC AND PNEUMATIC		1	
2	FT300. 38. 158a	DIFFERENTIAL LOCK FORK SHAFT		1	
3	FT300. 38. 160	DIFFERENTIAL LOCK RETURN SPRING		1	
4	FT300. 38. 159a	DIFFERENTIAL LOCK FORK		1	
5	FT300. 38. 190	DIFFERENTIAL LOCK DIAL BLOCK		1	
6	GBT879. 1-6X40	ELASTIC CYLINDRICAL PIN		1	
7	GBT879. 2-3. 5X40	ELASTIC CYLINDRICAL PIN		1	
8	GBT5781-M8X40-4. 8-A2L	HEX HEAD BOLTS		1	
9	GBT91-2X14-A0P	COTTER PIN		1	
10	GBT879. 1-6X35	ELASTIC CYLINDRICAL PIN		1	
11	GBT879. 2-3. 5X35	ELASTIC CYLINDRICAL PIN		1	
12	TS04383010003	ROCKER WELDMENT		1	
13	Q72220	PLUG PIECE		1	
14	TS04383010001	DIFFERENTIAL LOCK PEDAL		1	
15	GBT882-B6X28	PIN		1	
16	GBT97. 1-6-A0P	FLAT WASHERS		1	
17	GBT6170-M8-8-A2L	HEXAGON NUT, TYPE-1		1	
18	TG1204. 435. 4	SEAL LINER SEAT ASSEMBLY		1	
18. 1	TG1204. 435. 2-01	SPHERICAL SHAFT LINING SEAT		1	
18. 2	TG1204. 435. 2-02	SPHERICAL SHAFT LINING		1	
18. 3	GBT93-6	STANDARD SPRING WASHER		1	

TS04383010000 CONTROL MECHANISM ASSEMBLY (DIFFERENTIAL) (cont'd.)

No.	Part No.	Description	Version	QTY.	Remark
18.4	GBT818-M6X14-4.8-A2L	CROSS RECESSED PAN HEAD SCREWS		1	
19	TB554.383-05	WASHER		999	
20	TB554.383-06	WASHER		999	
21	TB554.383-07	WASHER		999	
22	TB554.383-08	WASHER		999	

TB3S384030000K HOUSING ASSEMBLY (REAR AXLE)

LOWEOL
zn D20743



TB3S384030000K HOUSING ASSEMBLY (REAR AXLE)

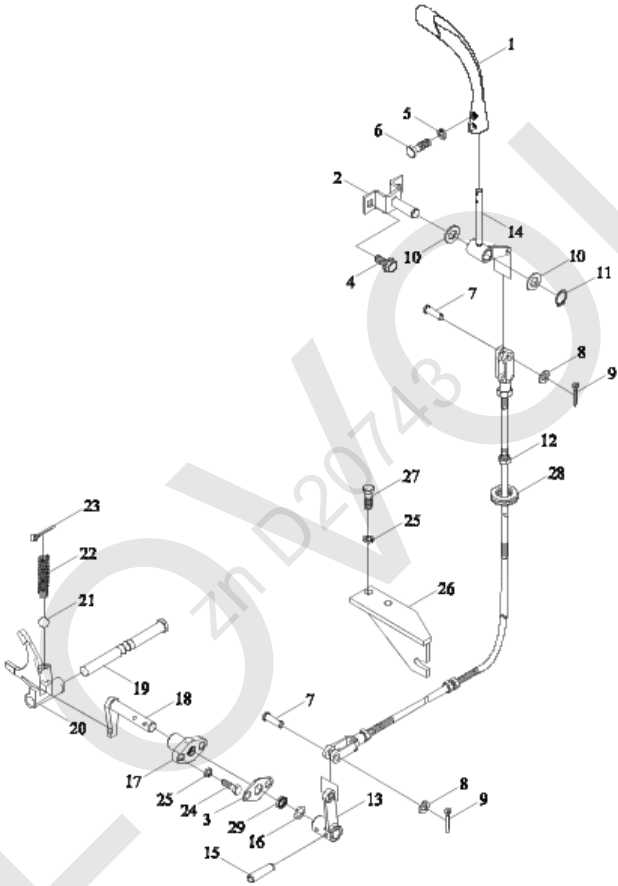
No.	Part No.	Description	Version	QTY.	Remark
	TB3S384030000K	REAR AXLE HOUSING ASSEMBLY	002	1	
1	TB3S384030001K	REAR AXLE HOUSING		1	
2	TB1S384010006K	DIPSTICK ASSEMBLY		1	
2.1	TB1S384010007K	DIPSTICK		1	
2.2	TC02384010007K	SCREW PLUG		1	
2.3	TS09580010002	O-RING 8. 1X1. 6-M10X1		1	
3	TB3S384020002K	OIL DIPSTICK PIPE WELDMENT		1	
4	GBT70. 1-M8X25-8. 8-A2L	HEXAGON SOCKET HEAD CAP SCREW		2	
5	GBT93-8-A3L	STANDARD SPRING WASHER		4	
6	GBT3452. 1-15. 0X2. 65G	O-RING RUBBER SEAL FOR HYDRAULIC AND PNEUMATIC		1	
7	FT300. 38J. 206	REVERSE SIDE COVER		1	
8	GBT93-10-A3L	STANDARD SPRING WASHER		6	
9	GBT5783-M10X25-8. 8-A3L	HEX HEAD BOLTS		5	
10	GBT5782-M10X60-8. 8-A2L	HEX HEAD BOLTS		1	
11	GBT70. 1-M8X20-8. 8	HEXAGON SOCKET HEAD CAP SCREW		2	
12	GBT93-12-A3L	STANDARD SPRING WASHER		24	
13	GBT6171-M12X1. 25-10-A2L	TYPE 1 HEX NUT		24	
14	GBT119. 1-12m6X28-A3L	CYLINDRICAL PIN		2	
15	TC05372020034	OIL PLUG ASSEMBLY		1	
15.1	TC05372020033	OIL PLUG COMBINATION		1	
15.2	TS09580010011	O-RING		1	
15.2.1	FT65. 38. 181	MAGNET		1	

TB3S384030000K HOUSING ASSEMBLY (REAR AXLE) (cont'd.)

No.	Part No.	Description	Version	QTY.	Remark
15.2.2	FT65.38.182	OIL DRAIN PLUG		1	
16	TB554.384-02	PIN		4	
17	GB899-AM12-M12X1.25X150-10.9-A 2L	STUD		20	
18	TB604.384.3	FILLING CAP ASSEMBLY		1	
18.1	TB604.384.3.2	PLUG SCREW		1	
18.1.1	TB604.384.3.2-01	COVER		1	
18.1.2	TB604.384.3.2-02	RUBBER PAD		1	
18.2	TB604.384.3.1	FILLING CAP WELDMENT ASSEMBLY		1	
19	GBT3452.1-32.5X1.80G	O-RING RUBBER SEAL FOR HYDRAULIC AND PNEUMATIC		1	
20	GB899-AM12-M12X1.25X160-10.9-A 2L	STUD		4	
21	JBT982-18	COMBINATION GASKET		1	
22	FT804.42.110	SCREW PLUG		1	
23	GBT119.1-12m6X30-A3L	CYLINDRICAL PIN		2	

TS04385020000 CONTROL MECHANISM ASSEMBLY (SHUTTLE SHIFT)

LOWVOL
zn D20743



TS04385020000 CONTROL MECHANISM ASSEMBLY (SHUTTLE SHIFT)

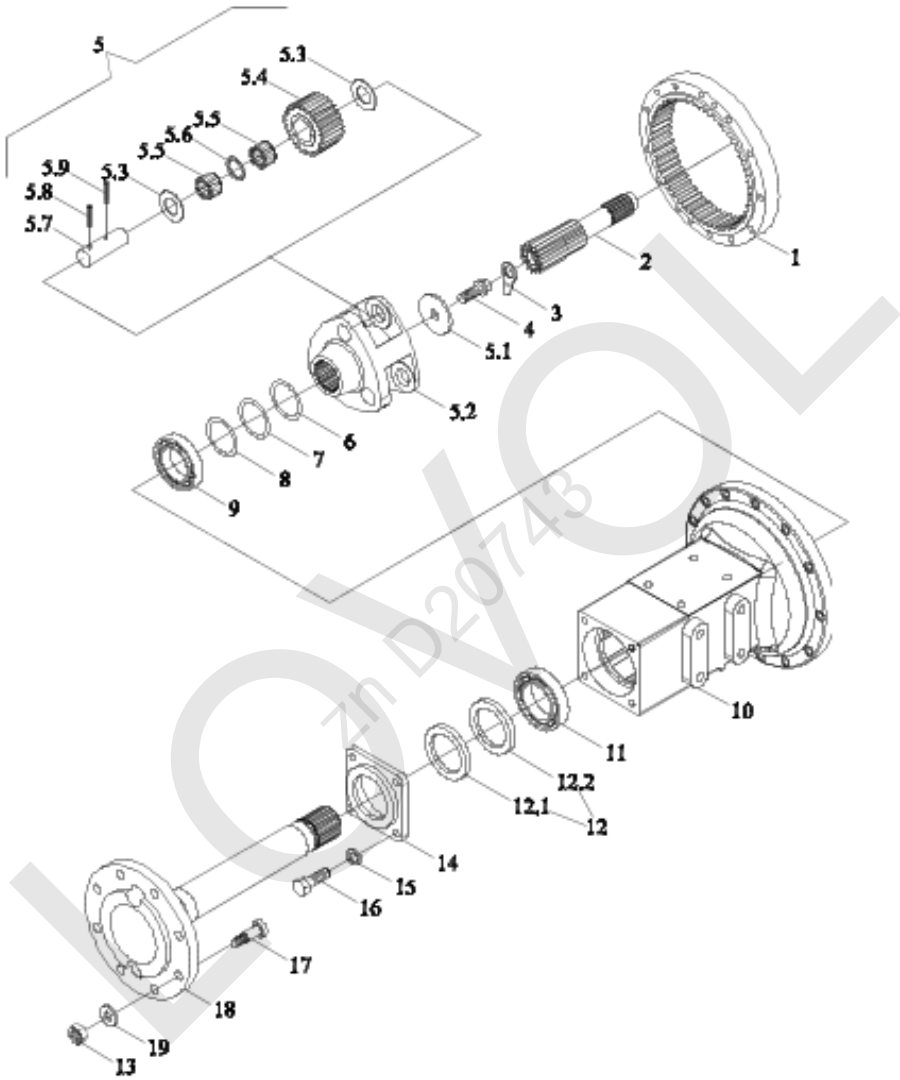
No.	Part No.	Description	Version	QTY.	Remark
	TS04385020000	SHUTTLE SHIFT CONTROL MECHANISM	006	1	
1	TC03374010030	CONTROL HANDLE		1	
2	TS04385010003	BRACKET WELDING		1	
3	TB554. 385. 3-03	SEAL RETAINER PIECE		1	
4	GBT16674. 1-M8X20-8. 8-A2L	HEX FLANGE BOLTS		2	
5	GBT93-6-A3L	STANDARD SPRING WASHER		2	
6	GBT70. 1-M6X20-10. 9-A3L	HEXAGON SOCKET HEAD CAP SCREW		2	
7	TG1654. 373B. 1-01	PIN		2	
8	GBT97. 1-8-A3L	FLAT WASHERS		2	
9	GBT91-3. 2X20-A3L	COTTER PIN		2	
10	TD950. 373. 2-02	BUSHING		2	
11	GBT894. 2-20	RETAINING RING FOR SHAFT		1	
12	TB604. 385. 3	SOFT SHAFT WELD		1	
13	TB604. 385-02a	ROCKER		1	
14	TS04385010005	CONTROL ROD WELDMENT		1	
15	QLWZB140-6X28	PIN		2	
16	GBT3452. 1-16. 0X1. 80G	O-RING RUBBER SEAL FOR HYDRAULIC AND PNEUMATIC		1	
17	TB554. 385A-01a	LEVER SHAFT SLEEVE		1	
18	TB554. 385-01	ROCKER		1	
19	FT300. 38J. 203	REVERSE FORK SHAFT		1	
20	TB704. 385-01	REVERSE FORK		1	
21	GBT308-9. 5-G100-b	STEEL BALL		1	

TS04385020000 CONTROL MECHANISM ASSEMBLY (SHUTTLE SHIFT) (cont'd.)

No.	Part No.	Description	Version	QTY.	Remark
22	FT704. 42B. 163	FORK SHAFT LOCATING SPRING		1	
23	GBT91-4X32-A3L	COTTER PIN		1	
24	TB400. 385-09a	BOLT M10X30		2	
25	GBT93-10-A3L	STANDARD SPRING WASHER		2	
26	TB704. 385A. 1	SUPPORT PLATE WELDMENT		1	
27	GBT16674. 1-M10X25-8. 8-A3L	HEX FLANGE BOLTS		2	
28	FT800A. 48L. 101	RUBBER RING-1		1	
29	TS04413010018	OIL SEAL FB16X26X7D		1	

TB3S391020000K FINAL REDUCTION-LEFT

LOWVOL
zn D20743



TB3S391020000K FINAL REDUCTION-LEFT

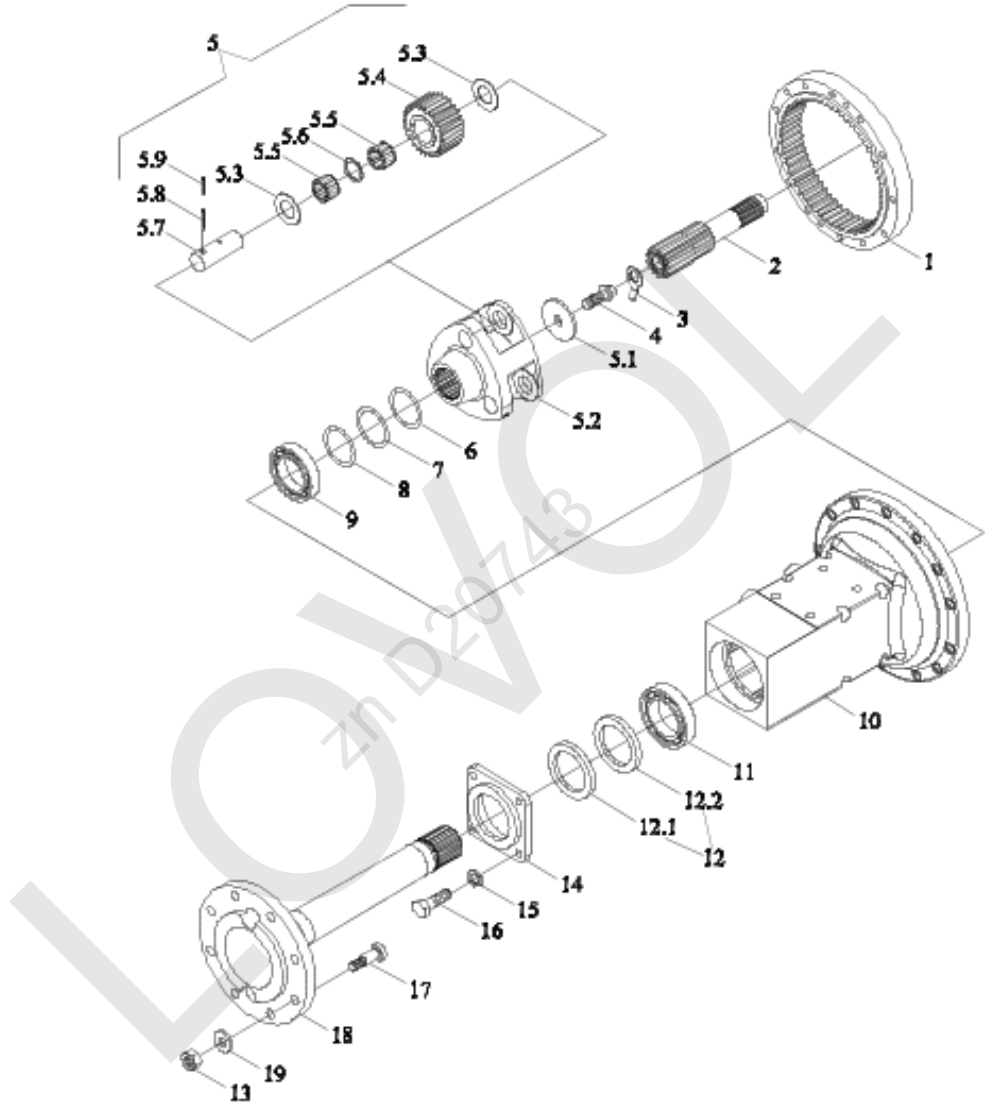
No.	Part No.	Description	Version	QTY.	Remark
	TB3S391020000K	LEFT FINAL TRANSMISSION ASSEMBLY	002	1	
1	TB550.391-04	FINAL TRANSMISSION GEAR RING		1	
2	TS04391010008	LEFT FINAL TRANSMISSION HALF SHAFT		1	
3	FT300.39.110	DRIVING SHAFT LOCK PIECE		1	
4	FT300.39.112	DRIVING SHAFT LOCK BOLT		1	
5	TS04391010003	FINAL TRANSMISSION PLANET BRACKET ASSEMBLY		1	
5.1	FT300.39.111	RETAINER BLOCK		1	
5.2	TS04391010002	FINAL TRANSMISSION PLANET BRACKET		1	
5.3	TB550.391.1-05	PLANET GEAR ROLL NEEDLE OUTER SPACER RING		6	
5.4	TS04391010009	FINAL TRANSMISSION PLANET GEAR		3	
5.5	TB550.391.1.1	NEEDLE		6	
5.6	TB550.391.1-04	PLANET GEAR ROLL NEEDLE INNER SPACER RING		3	
5.7	TB550.391.1-03	FINAL TRANSMISSION PLANET GEAR SHAFT		3	
5.8	GBT879.1-8X32	ELASTIC CYLINDRICAL PIN		3	
5.9	GBT879.1-5X32	ELASTIC CYLINDRICAL PIN		3	
6	TS04391010005	ADJUSTING WASHER		1	
7	TS04391010006	ADJUSTING WASHER		1	
8	TS04391010007	ADJUSTING WASHER		1	
9	GBT276-6212	DEEP GROOVE BALL BEARING		1	
10	TB3S391020001K	LEFT HALF SHAFT HOUSING BODY		1	
11	GBT276-6214	DEEP GROOVE BALL BEARING		1	
12	TS04391010014	OIL SEAL		1	
12.1	TS04391010015	OIL SEAL		1	

TB3S391020000K FINAL REDUCTION-LEFT (cont'd.)

No.	Part No.	Description	Version	QTY.	Remark
12.2	TS04391010016	RETAINER RING		1	
13	GBT6176-M18X1.5-LH-10-A3L	HEXAGON NUT, TYPE-2		8	
14	TB550.391-05	HALF SHAFT OIL SEAL SEAT		1	
15	GBT93-12-A3L	STANDARD SPRING WASHER		4	
16	GBT5783-M12X30-8.8-A3L	HEX HEAD BOLTS		4	
17	FT65.38.222	LEFT REAR HUB BOLT		8	
18	TS04391010004	DRIVE SHAFT		1	
19	FT804.31B.120	WASHER		8	

TB3S39202000K FINAL REDUCTION-RIGHT

LOWVOL
zn D20743



TB3S39202000K FINAL REDUCTION-RIGHT

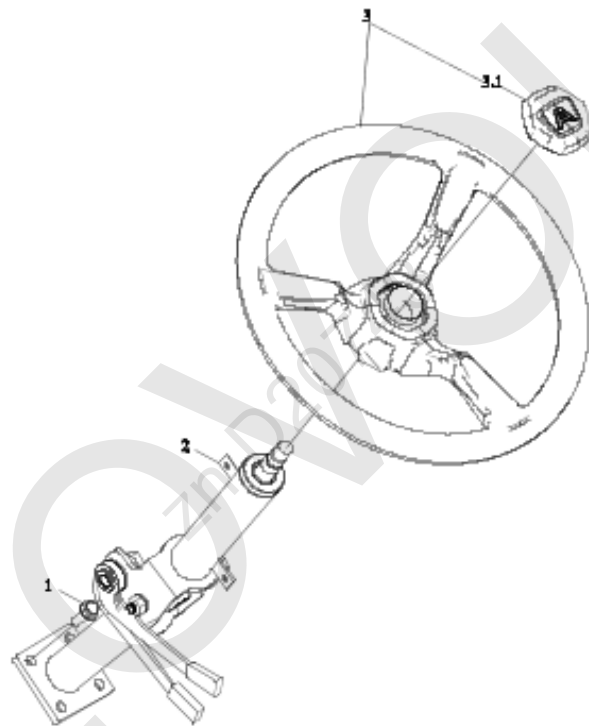
No.	Part No.	Description	Version	QTY.	Remark
	TB3S39202000K	RIGHT FINAL TRANSMISSION ASSEMBLY	002	1	
1	TB550.391-04	FINAL TRANSMISSION GEAR RING		1	
2	TS04392010002	RIGHT FINAL TRANSMISSION HALF SHAFT		1	
3	FT300.39.110	DRIVING SHAFT LOCK PIECE		1	
4	FT300.39.112	DRIVING SHAFT LOCK BOLT		1	
5	TS04391010003	FINAL TRANSMISSION PLANET BRACKET ASSEMBLY		1	
5.1	FT300.39.111	RETAINER BLOCK		1	
5.2	TS04391010002	FINAL TRANSMISSION PLANET BRACKET		1	
5.3	TB550.391.1-05	PLANET GEAR ROLL NEEDLE OUTER SPACER RING		6	
5.4	TS04391010009	FINAL TRANSMISSION PLANET GEAR		3	
5.5	TB550.391.1.1	NEEDLE		6	
5.6	TB550.391.1-04	PLANET GEAR ROLL NEEDLE INNER SPACER RING		3	
5.7	TB550.391.1-03	FINAL TRANSMISSION PLANET GEAR SHAFT		3	
5.8	GBT879.1-8X32	ELASTIC CYLINDRICAL PIN		3	
5.9	GBT879.1-5X32	ELASTIC CYLINDRICAL PIN		3	
6	TS04391010005	ADJUSTING WASHER		1	
7	TS04391010006	ADJUSTING WASHER		1	
8	TS04391010007	ADJUSTING WASHER		1	
9	GBT276-6212	DEEP GROOVE BALL BEARING		1	
10	TB3S392020001K	RIGHT HALF SHAFT HOUSING		1	
11	GBT276-6214	DEEP GROOVE BALL BEARING		1	
12	TS04391010014	OIL SEAL		1	
12.1	TS04391010015	OIL SEAL		1	

TB3S392020000K FINAL REDUCTION-RIGHT (cont'd.)

No.	Part No.	Description	Version	QTY.	Remark
12.2	TS04391010016	RETAINER RING		1	
13	GBT6176-M18X1.5-10-A3L	HEXAGON NUT, TYPE-2		8	
14	TB550.391-05	HALF SHAFT OIL SEAL SEAT		1	
15	GBT93-12-A3L	STANDARD SPRING WASHER		4	
16	GBT5783-M12X30-8.8-A3L	HEX HEAD BOLTS		4	
17	FT65.38.140a	REAR HUB BOLT		8	
18	TS04391010004	DRIVE SHAFT		1	
19	FT804.31B.120	WASHER		8	

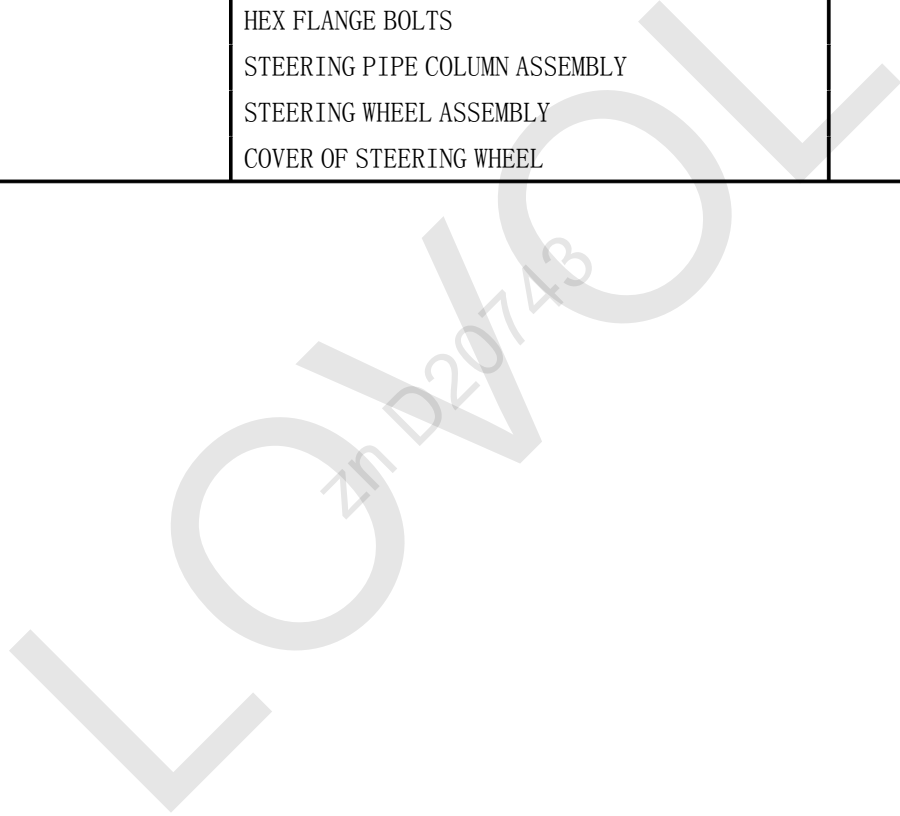
TB3S401040000K STEERING PLATE AND STEERING PIPE COLUMN ASSEMBLY

LOWELOW
zn D20743



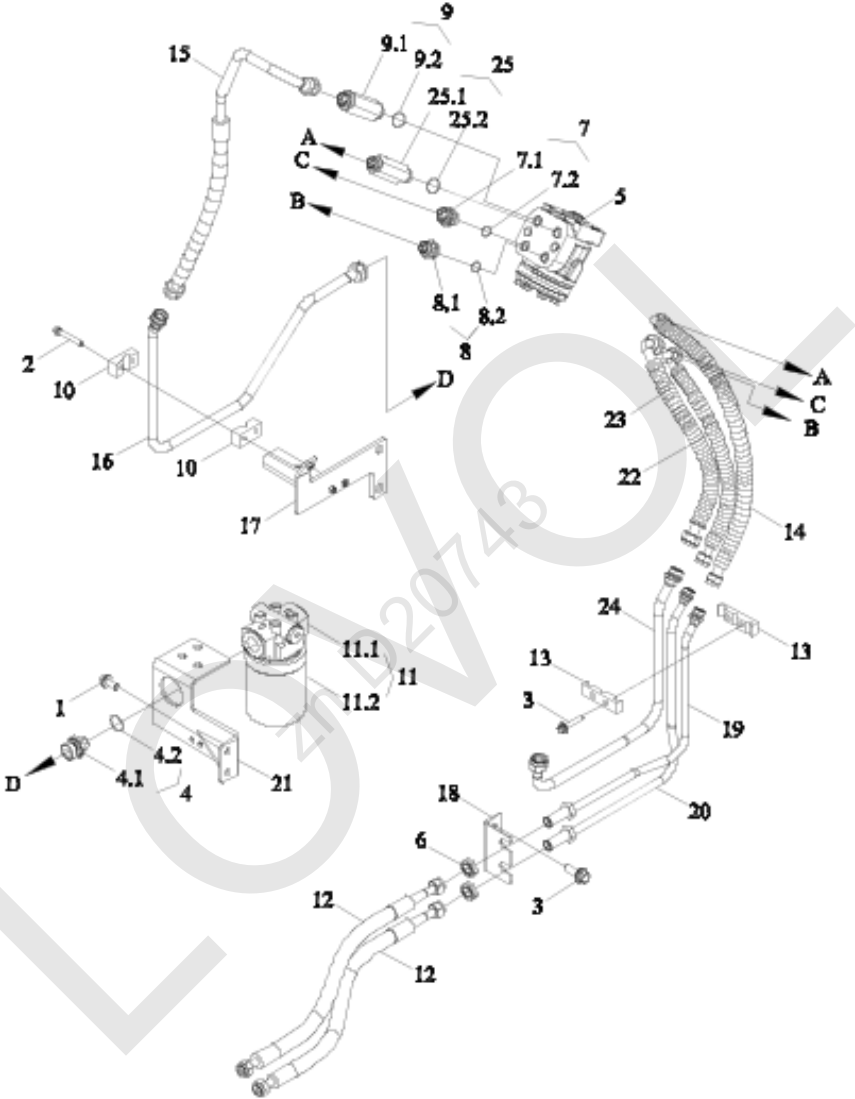
TB3S401040000K STEERING PLATE AND STEERING PIPE COLUMN ASSEMBLY

No.	Part No.	Description	Version	QTY.	Remark
	TB3S401040000K	STEERING PLATE AND STEERING PIPE COLUMN ASSEMBLY	001	1	
1	GBT16674. 1-M10X30-8. 8-A3L	HEX FLANGE BOLTS		4	
2	TS04401010002	STEERING PIPE COLUMN ASSEMBLY		1	
3	TB1S401020001K	STEERING WHEEL ASSEMBLY		1	
3.1	TB1S401020002K	COVER OF STEERING WHEEL		1	



TB3S402090000K STEERING PIPE ASSEMBLY

LOWEOL
zn D20743



TB3S402090000K STEERING PIPE ASSEMBLY

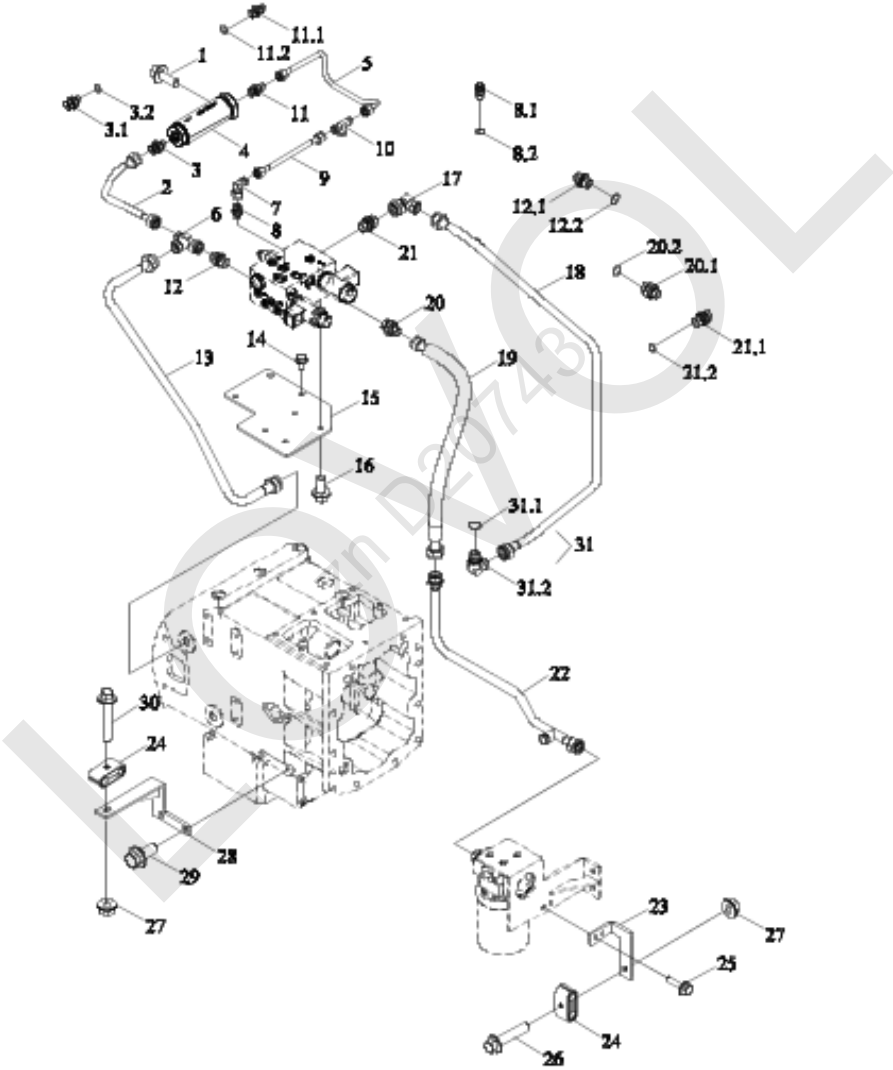
No.	Part No.	Description	Version	QTY.	Remark
	TB3S402090000K	FULL HYDRAULIC STEERING PIPE ASSEMBLY	002	1	
1	GBT5789-M10X20-8.8-A3L	HEX FLANGE BOLTS		5	
2	GBT5789-M6X50-8.8-A2L	HEX FLANGE BOLTS		2	
3	GBT5789-M8X20-8.8-A2L	HEX FLANGE BOLTS		4	
4	TY1S403010024K	STRAIGHT PIPE JOINT BODY M27X2-15		2	
4.1	TY1S403010023K	STRAIGHT THROUGH PIPE JOINT		1	
4.2	TS09580010009	O-RING 23.6X2.9-M27X2		1	
5	TB3S402090001K	REDIRECTOR ASSEMBLY		1	
6	GBT6173-M18X1.5-05-A3L	HEXAGON THIN NUT		2	
7	TS12402050003	JOINT BODY		1	
7.1	TS12402010003	JOINT BODYM20-15		1	
7.2	TS09580010007	O-RING 17.3X2.2-M20X1.5		1	
8	GE20D18.24.93.5	END STRAIGHT THREAD CONNECTOR BODY		1	
8.1	GE20D18.24.93.5-01	END STRAIGHT THREAD CONNECTOR BODY		1	
8.2	TS09580010007	O-RING 17.3X2.2-M20X1.5		1	
9	TS08402040061	STRAIGHT THREAD JOINT		1	
9.1	TS08402040062	STRAIGHT THREAD JOINT 1		1	
9.2	TS09580010007	O-RING 17.3X2.2-M20X1.5		1	
10	TH04402010061	SINGLE HOLE PIPE CLAMP 15		2	
11	TB1S402010021K	FILTER ASSEMBLY		1	
11.1	TB1S402010025K	FILTER SEAT		1	
11.2	TB1S402010022K	FILTER ELEMENT		1	
12	TB3S402050025K	OIL CONVEYING PIPE ASSEMBLY		2	

TB3S402090000K STEERING PIPE ASSEMBLY (cont'd.)

No.	Part No.	Description	Version	QTY.	Remark
13	TH02402020062	Three-hole clamp 15-12-12		2	
14	TB3S402050003K	OIL OUTLET PIPE ASSEMBLY		1	
15	TB3S402050005K	REDIRECTOR OIL RETURN PIPE ASSEMBLY		1	
16	TB3S402050007K	FILTER OIL INLET STEEL PIPE ASSEMBLY		1	
17	TB3S402050008K	BRACKET WELDMENT		1	
18	TB3S402050010K	BRACKET		1	
19	TB3S402050011K	LEFT STEERING STEEL PIPE WELDMENT		1	
20	TB3S402050012K	RIGHT STEERING STEEL PIPE WELDMENT		1	
21	TB3S402050013K	FILTER BRACKET WELDMENT		1	
22	TB3S402050014K	OIL OUTLET PIPE ASSEMBLY		1	
23	TB3S402050015K	REDIRECTOR OIL INLET PIPE ASSEMBLY		1	
24	TB3S402050016K	OIL INLET PIPE ASSEMBLY		1	
25	TC04402080010	END STRAIGHT THREAD CONNECTOR BODY L12		1	
25.1	TC04402080011	END STRAIGHT THREAD CONNECTOR BODY		1	
25.2	TS09580010007	O-RING 17. 3X2. 2-M20X1. 5		1	

LOWVOL
zn D20743

TB3S403030000K CONTROL PIPE ASSEMBLY (LOW PRESSURE) -1



TB3S403030000K CONTROL PIPE ASSEMBLY (LOW PRESSURE) -1

No.	Part No.	Description	Version	QTY.	Remark
	TB3S403030000K	LOW PRESSURE CONTROL PIPE ASSEMBLY	001	1	
1	GBT5789-M8X20-8. 8-A2L	HEX FLANGE BOLTS		2	
2	TB3S403010039K	OIL OUTLET PIPE ASSEMBLY		1	
3	GL04701040005	CONNECTING JOINT		1	
3.1	GL04701040006	END STRAIGHT THREAD CONNECTOR BODY		1	
3.2	TS09580010004	O-RING		1	
4	TB1S403010018K	BUFFER VALVE		1	
5	TB3S403010036K	OIL INLET PIPE		1	
6	TB3S403010038K	JOINT L12		1	
7	GBT3754-L8	JOINT		2	
8	TH02372010099	END STRAIGHT THREAD CONNECTOR BODY		1	
8.1	GBT3733-L8	STRAIGHT THREAD JOINT		1	
8.2	TS09580010003	O-RING 9. 3X2. 2-M12X1. 5		1	
9	TB3S403010035K	OIL CONVEYING PIPE ASSEMBLY		1	
10	GBT3745-L8	JOINT		1	
11	DV01603050003	CONNECTING JOINT		1	
11.1	DV01603050004	CONNECTOR		1	
11.2	TS09580010004	O-RING		1	
12	TS08402030047	STRAIGHT JOINT BODY		1	
12.1	TS08402030048	STRAIGHT THREAD JOINT		1	
12.2	TS09580010006	O-RING 15. 3X2. 2-M18X1. 5		1	
13	TB3S403010040K	OIL RETURN STEEL PIPE ASSEMBLY		1	
14	GBT5789-M10X16-8. 8-A3L	HEX FLANGE BOLTS		1	

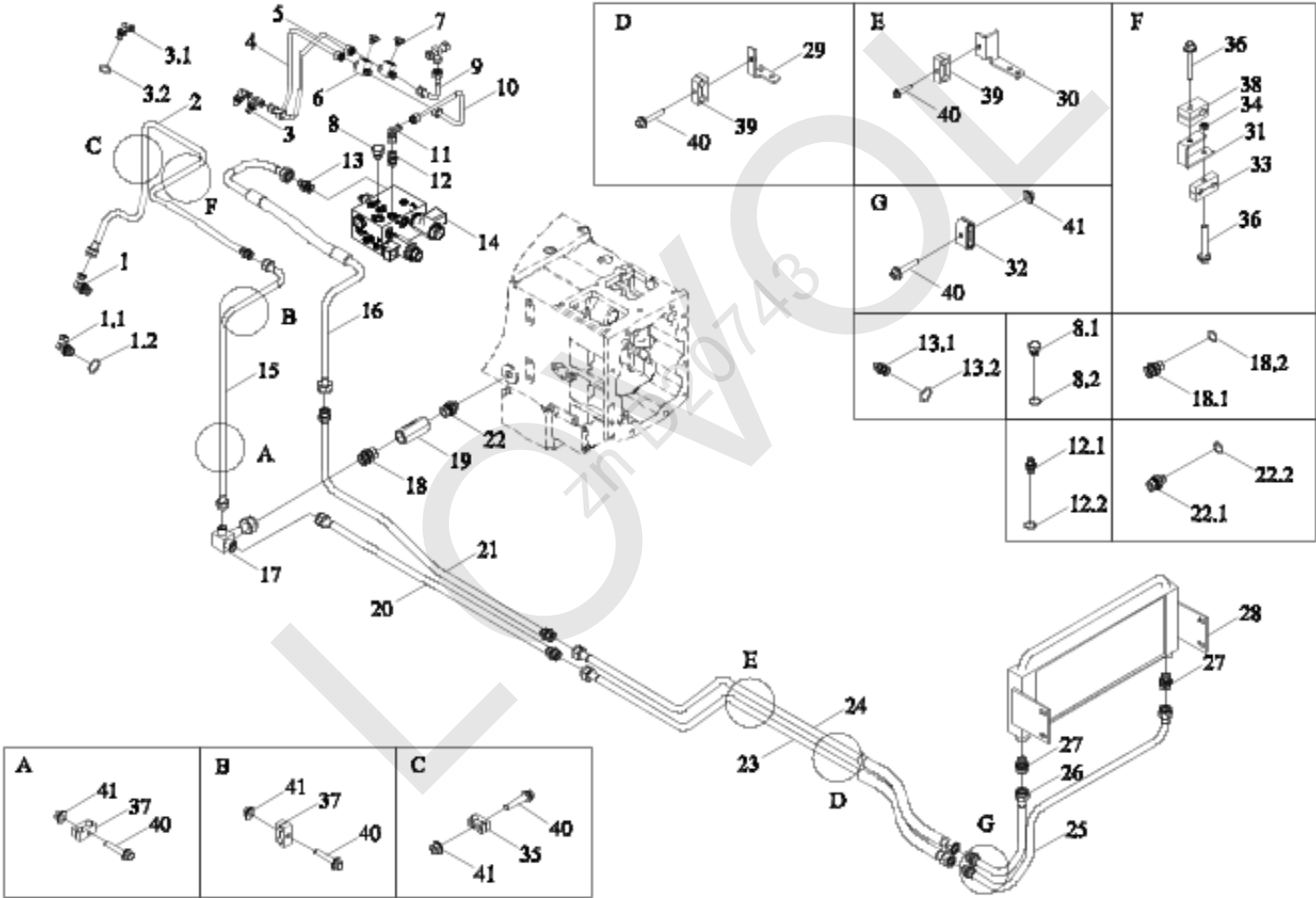
TB3S403030000K CONTROL PIPE ASSEMBLY (LOW PRESSURE) -1 (cont'd.)

No.	Part No.	Description	Version	QTY.	Remark
15	TB1S403020008K	ELEC. VALVE BRACKET		1	
16	GBT5789-M8X16-8.8-A2L	HEX FLANGE BOLTS		8	
17	GBT3754-L15	JOINT		1	
18	TB3S403010043K	CONTROL PIPE		1	
19	TB3S403010017K	ELEC. VALVE OIL INLET HOSE ASSEMBLY		1	
20	TS17402030059	STRAIGHT JOINT BODY		1	
20.1	GBT3733-L12	STRAIGHT THREAD JOINT		1	
20.2	TS09580010005	O-RING		1	
21	TS06582130048	END STRAIGHT THREAD CONNECTOR BODY		4	
21.1	GBT3733-L15	STRAIGHT THREAD JOINT		1	
21.2	TS09580010006	O-RING 15.3X2.2-M18X1.5		1	
22	TB3S403010014K	OIL INLET STEEL PIPE ASSEMBLY		1	
23	TB3S403010042K	The pipe clamp support is welded to 1		1	
24	TB3S403010002K	OIL PIPE CLAMP AND RUBBER WASHER		6	
25	GBT5789-M6X20-8.8-A2L	HEX FLANGE BOLTS		2	
26	GBT5789-M8X40-8.8-A2L	HEX FLANGE BOLTS		7	
27	GBT6177.1-M8-8-A2L	HEXAGON FLANGE NUT		5	
28	TB3S403010015K	OIL PIPE BRACKET2		1	
29	GBT5789-M10X20-8.8-A3L	HEX FLANGE BOLTS		2	
30	GBT5789-M8X45-8.8-A2L	HEX FLANGE BOLTS		1	
31	TC04582140012	CONNECTING JOINT M18-15		1	

TB3S403030000K CONTROL PIPE ASSEMBLY (LOW PRESSURE) -1 (cont'd.)

No.	Part No.	Description	Version	QTY.	Remark
31.1	TS09580010006	O-RING 15. 3X2. 2-M18X1. 5		1	
31.2	GBT3738-L15	JOINT		1	

TB3S403030000K CONTROL PIPE ASSEMBLY (LOW PRESSURE) -2



TB3S403030000K CONTROL PIPE ASSEMBLY (LOW PRESSURE) -2

No.	Part No.	Description	Version	QTY.	Remark
	TB3S403030000K	LOW PRESSURE CONTROL PIPE ASSEMBLY		1	
1	GL06701050023	CONNECTING JOINT L12		1	
1.1	GBT3738-L12	JOINT		1	
1.2	TS09580010005	O-RING		1	
2	TB3S403010024K	LUBE OIL LINE		1	
3	TB1S403010015K	ADJUSTABLE JOINT M12-8		2	
3.1	GBT3738-L8	JOINT		1	
3.2	TS09580010003	O-RING 9. 3X2. 2-M12X1. 5		1	
4	TB1S403010009bK	OIL CONVEYING PIPE ASSEMBLY B		1	
5	TB1S403010011bK	OIL CONVEYING PIPE ASSEMBLY A		1	
6	TK4030300400	STRAIGHT THREAD JOINT		2	
7	GV04701010035	SCREW PLUG M10X1		2	
8	TS08581020021	OIL DISCHARGING SCREW PLUG		1	
8.1	FT65. 50. 226	OIL DRAIN PLUG		1	
8.2	TS09580010005	O-RING		1	
9	TB3S403010037K	OIL CONVEYING PIPE ASSEMBLY		1	
10	TB1S403020007aK	OIL CONVEYING PIPE ASSEMBLY B		1	
11	GBT3754-L8	JOINT		2	
12	GV01702010055	CONNECTING JOINT		1	
12.1	TS09580010004	O-RING		1	
12.2	TS09580010004	O-RING		1	
13	TB3S403010032K	STRAIGHT JOINT BODY		1	
13.1	TB3S403010033K	END STRAIGHT THREAD CONNECTOR BODY		1	

TB3S403030000K CONTROL PIPE ASSEMBLY (LOW PRESSURE) -2 (cont'd.)

No.	Part No.	Description	Version	QTY.	Remark
13.2	TS09580010005	O-RING		1	
14	TB1S403020001K	CONTROL VALVE		1	
15	TB3S403010023K	OIL INLET PIPE		1	
16	TB3S403010022K	ELEC. VALVE OIL RETURN PIPE ASSEMBLY		1	
17	TB3S403010020K	ELEC. VALVE OIL RETURN PIPE ASSEMBLY		1	
18	TS08582080018	End straight joint combination 18E		1	
18.1	GBT3733-L18E	JOINT BODY		1	
18.2	GBT19674.2-M22X1.5E	E-ring seal		1	
19	TH02402010063	VALVE		1	
20	TB3S403010012K	OIL RETURN STEEL PIPE		1	
21	TB3S403010013K	OIL INLET STEEL PIPE ASSEMBLY		1	
22	TB3S403010018K	END STRAIGHT THREAD CONNECTOR BODY		1	
22.1	TS09580010006	O-RING 15.3X2.2-M18X1.5		1	
22.2	TS09580010006	O-RING 15.3X2.2-M18X1.5		1	
23	TB3S403010010K	OIL RETURN PIPE		1	
24	TB3S403010027K	OIL RETURN PIPE		1	
25	TB3S403010005K	OIL INLET PIPE		1	
26	TB3S403010006K	OIL OUTLET PIPE		1	
27	TS06582130048	END STRAIGHT THREAD CONNECTOR BODY		4	
28	TB3S403010026K	HYDRAULIC OIL RADIATOR ASSEMBLY		1	
29	TB3S403010004K	OIL PIPE BRACKET		1	
30	TB3S403010041K	PIPE CLAMP BRACKET WELDMENT		1	

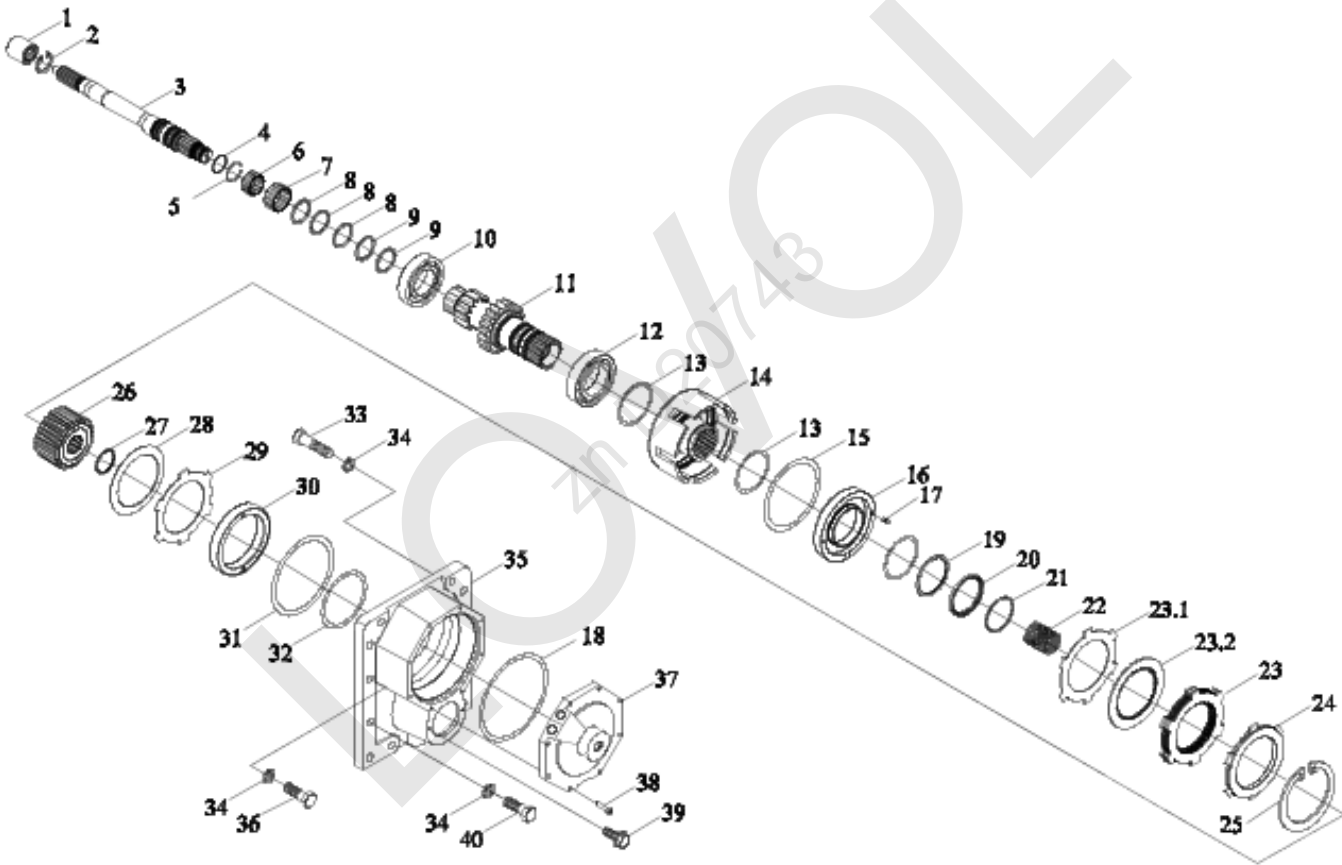
TB3S403030000K CONTROL PIPE ASSEMBLY (LOW PRESSURE) -2 (cont'd.)

No.	Part No.	Description	Version	QTY.	Remark
31	TB3S403010031K	PIPE CLAMP BRACKET 2		1	
32	TB3S403010002K	OIL PIPE CLAMP AND RUBBER WASHER		6	
33	TH02402010078	DOUBLE HOLE PIPE CLAMP		2	
34	GBT6177. 1-M6-8-A2L	HEXAGON FLANGE NUT		1	
35	G25A. 30. 25-01	PIPE CLAMP		2	
36	GBT5789-M6X40-8. 8-A2L	HEX FLANGE BOLTS		2	
37	TB3S403010044K	The tubing clip is glued to the rubber pad 15-12		4	
38	TB1C402020004	SINGLE HOLE PIPE CLAMP		2	
39	TS08402040048	DOUBLE HOLE PIPE CLAMP		4	
40	GBT5789-M8X40-8. 8-A2L	HEX FLANGE BOLTS		7	
41	GBT6177. 1-M8-8-A2L	HEXAGON FLANGE NUT		5	

LOWLOL
zn D20743

LOWLOL
zn D20743

TB4S411010000K GEAR ASSEMBLY (PTO) -1



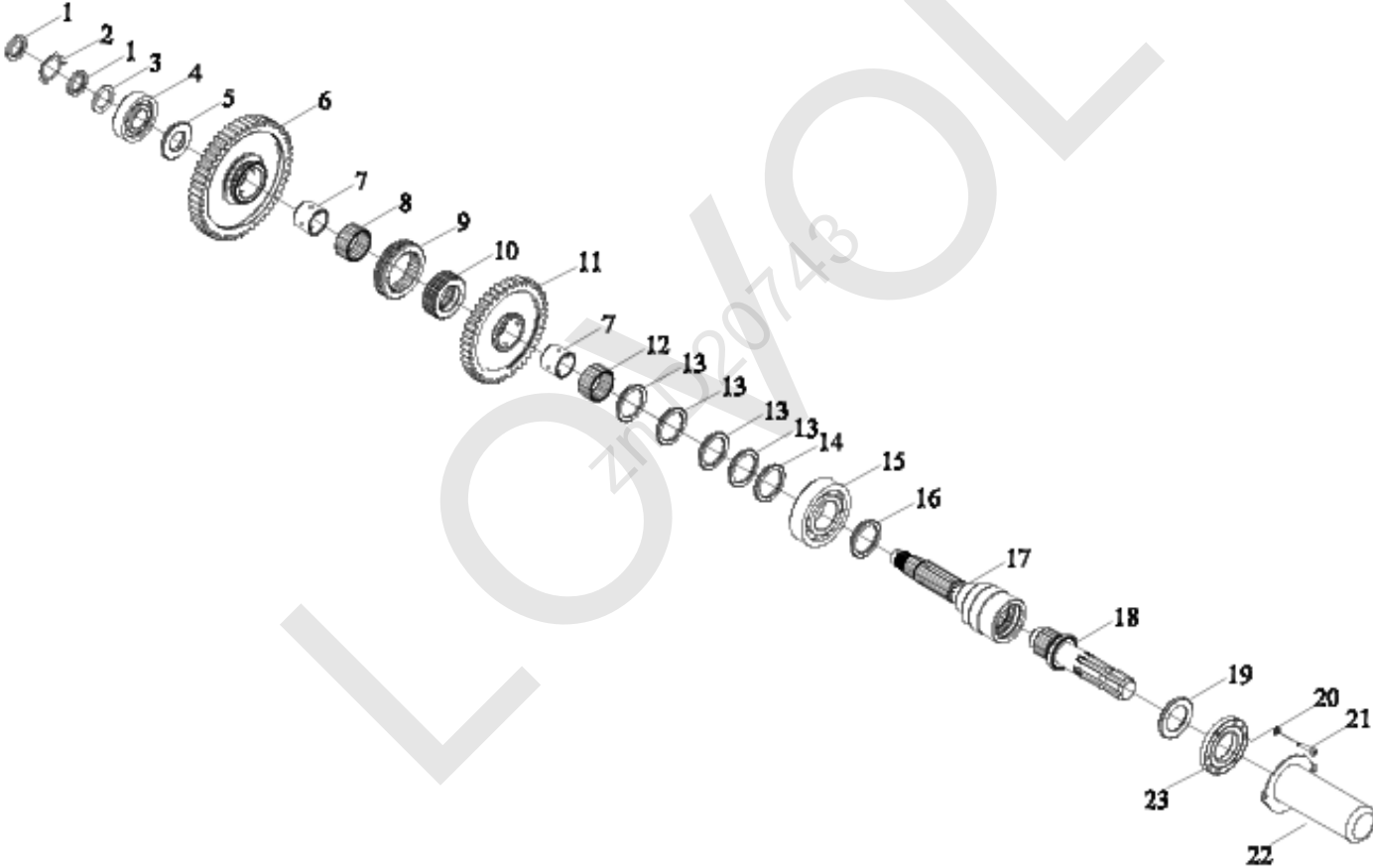
TB4S411010000K GEAR ASSEMBLY (PTO) -1

No.	Part No.	Description	Version	QTY.	Remark
	TB4S411010000K	CONTROL ROD	002	1	
1	TB1S372010012K	CONNECTING SLEEVE		1	
2	GBT893. 1-22	RETAINING RING FOR HOLE		1	
3	TB1S411010035K	TRANSMISSION SHAFT ASSEMBLY		1	
4	GBT895. 1-30	WIRE RETAINER RING FOR HOLE		1	
5	TB1S411010034K	WASHER 25X30X1. 5		1	
6	GBT20056-K25X30X20	NEEDLE AND CARRIER COMBINATION		1	
7	GBT20056-K30X35X17	NEEDLE AND CARRIER COMBINATION		1	
8	TH09411010021	SEAL RING		3	
9	TH04412020035	SEAL RING 24. 95X2. 26		2	
10	GBT283-NJ209E	COLUMN ROLLER BEARING		1	
11	TB4S411010003K	GEAR SHAFT		1	
12	GBT276-6210	DEEP GROOVE BALL BEARING		1	
13	TB1S411010053K	O-RING		2	
14	TB1S411010052K	ENGINE BLOCK		1	
15	TH04412020030	O RING 122. 00X3. 00-FKM		1	
16	TB1S411010012K	PISTON ASSEMBLY		1	
17	TH04372010050	RUBBER MAT		12	
18	TB1S411010043aK	O-RING		1	
19	TB1S411010031K	WASHER 60. 5X71X2. 0		1	
20	TB1S411010032K	CIRCLIP FOR SHAFT 60X2		1	
21	TB1S411010030K	SPRING SEAT		1	
22	TB1S411010027K	SPRING		1	

TB4S411010000K GEAR ASSEMBLY (PTO)-1 (cont'd.)

No.	Part No.	Description	Version	QTY.	Remark
23	TB1S411010036K	MIDDLE FRICTION PIECE		1	
23.1	TB1S411010014K	COUNTER DISK		5	
23.2	TB1S411010015K	BRAKE DISC		5	
24	TB1S411010013K	COUNTER PLATE		1	
25	TB1S411010024K	CIRCLIPS FOR HOLE 124X2.5		1	
26	TB1S411010057K	HUB		1	
27	GBT894.1-28	RETAINING RING FOR SHAFT		1	
28	TB1S411010020K	BELLEVILLE SPRING-DE132-DI96-L03.5		1	
29	TB1S411010025K	CLUTCH BRAKE DISC		1	
30	TB1S411010055K	PISTON		1	
31	TB1S411010041aK	O-RING		1	
32	TB1S411010042aK	O-RING		1	
33	GBT5783-M12X45-10.9-A3L	HEX HEAD BOLTS		1	
34	GBT93-12-A3L	STANDARD SPRING WASHER		13	
35	TB1S411010021aK	PTO HOUSING		1	
36	GBT5782-M12X60-10.9-A3L	HEX HEAD BOLTS		4	
37	TB1S411010022K	PTO END COVER		1	
38	GBT70.1-M6X25-8.8-A2L	HEXAGON SOCKET HEAD CAP SCREW		8	
39	GBT16674.1-M5X12-8.8-A2L	HEX FLANGE BOLTS		2	
40	GBT5783-M12X40-10.9-A3L	HEX HEAD BOLTS		8	

TB4S411010000K GEAR ASSEMBLY (PTO) -2



TB4S411010000K GEAR ASSEMBLY (PTO) -2

No.	Part No.	Description	Version	QTY.	Remark
	TB4S411010000K	CONTROL ROD		1	
1	TL02412010006	ROUND NUT		2	
2	GBT858-25	TAB WASHER FOR ROUND NUT		1	
3	FT300. 41. 122	WASHER		1	
4	GBT283-NUP306E	COLUMN ROLLER BEARING		1	
5	TB1S411010038K	WASHER 30X58X6		1	
6	TB4S411010037K	PTO LOW GEAR DRIVEN GEAR		1	
7	TB1S411010005K	SLEEVE 34X42X31		1	
8	GBT20056-K42X48X30	NEEDLE AND CARRIER COMBINATION		1	
9	FT300. 41C. 116	PTO SHIFT COLLAR		1	
10	FT300. 41C. 117	PTO MESHING SEAT		1	
11	TB4S411010004K	PTO HIGH GEAR DRIVEN GEAR		1	
12	TB1S411010045K	ROLLER NEEDLE BEARING K40X46X28		1	
13	TB550. 411L-02	REAR RING		1	
13	TB550. 411L-03	REAR RING		1	
13	TB550. 411L-04	REAR RING		1	
13	TB550. 411L-05	REAR RING		1	
14	FT300. 41E. 119	THRUST RING		1	
15	GBT276-6309	DEEP GROOVE BALL BEARING		1	
16	TH04412020036	OIL SEAL 70X85X8		1	
17	TB4S411010007K	OUTPUT TRANSMISSION SHAFT		1	
18	TB4S411010005K	PTO SHAFT		1	
19	TB550. 411L-01	REAR RING		1	

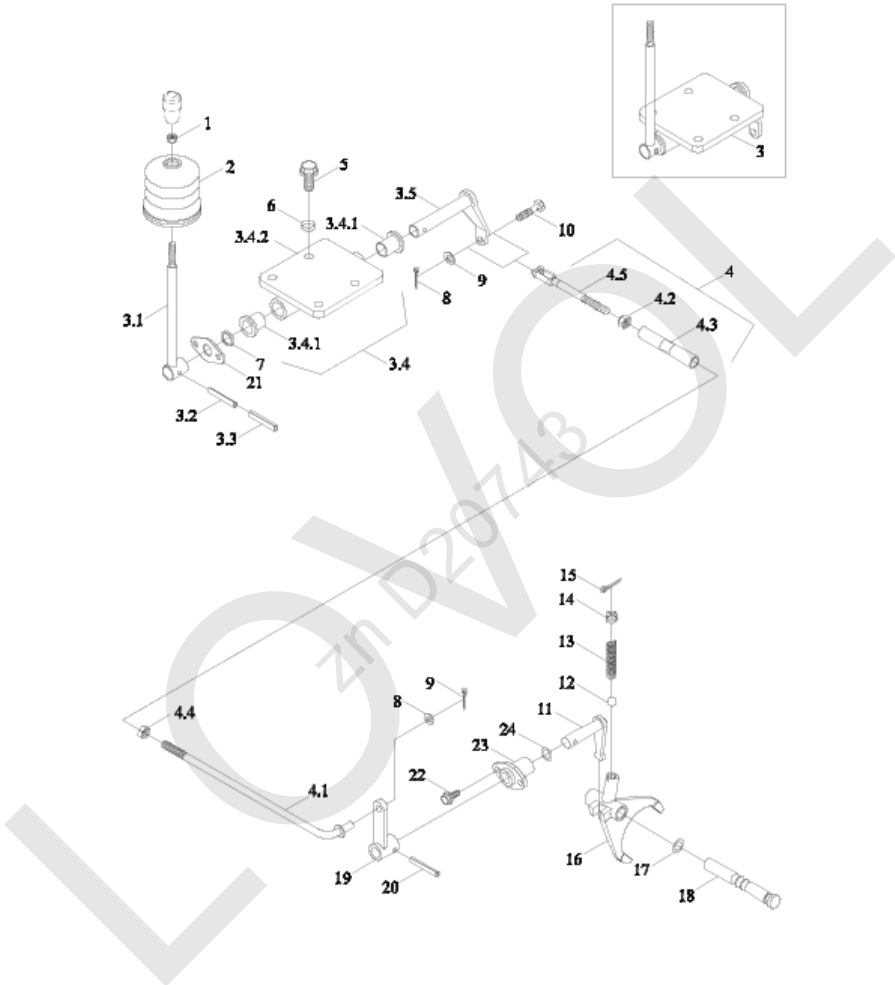
TB4S411010000K GEAR ASSEMBLY (PTO) -2 (cont 'd.)

No.	Part No.	Description	Version	QTY.	Remark
20	GBT93-8-A3L	STANDARD SPRING WASHER		8	
21	GBT70. 1-M8X25-10. 9-A2L	HEXAGON SOCKET HEAD CAP SCREW		8	
22	TB4S411010006K	PLUG COVER		1	
23	TB1S411020001K	PTO SHAFT HOOD SHIELD		1	

LOWLOL
zn D20743

TB1S413010000K CONTROL ASSEMBLY (PTO)

LOWVOLT
zn D20743



TB1S41301000K CONTROL ASSEMBLY (PTO)

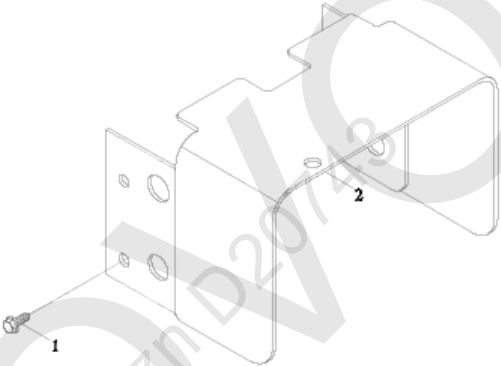
No.	Part No.	Description	Version	QTY.	Remark
	TB1S41301000K	PTO CONTROL ASSEMBLY		1	
1	GBT6177. 1-M10-8-A3L	HEXAGON FLANGE NUT		1	
2	TB704. 413A-02	DUSTPROOF RING		1	
3	TS04413030007	PTO CONTROL ROD		1	
3.1	TB504. 413A. 2	PTO GEARSHIFT CONTROL ROD WELDMENT		1	
3.2	GBT879. 1-6X32	SPRING COLUMN PIN		1	
3.3	GBT879. 1-3. 5X32	SPRING COLUMN PIN		1	
3.4	TS04413010003	SUPPORT SEAT		1	b
3.4.1	TB480. 413A. 1-01	NYLON BUSH		2	
3.4.2	TS04413010007	SUPPORT SEAT WELDMENT		1	
3.5	TS04413030001	CONTROL ROCKER WELDMENT		1	
4	TS04413010017	PTO CONTROL ROD		1	
4.1	TS04413010005	MIDDLE PULL ROD WELDMENT		1	
4.2	GBT6171-M10X1-LH-8-A2L	HEXAGON NUT, TYPE-1		1	
4.3	FT800A. 21. 353	MIDDLE ROD		1	
4.4	GBT6171-M10X1-8-A2L	HEXAGON NUT, TYPE-1		1	
4.5	TB504. 413A. 5	PULL ROD WELDMENT		1	
5	GBT16674. 1-M8X12-8. 8-A2L	HEXAGON FLANGE NUT		4	
6	GBT93-8-A3L	STANDARD SPRING WASHER		2	
7	TS04413010018	OIL SEAL FB16X26X7D		1	
8	GBT91-3. 2X16-A3L	SPLIT PIN		2	
9	GBT97. 1-10-A3L	FLAT WASHER		2	
10	GBT882-B10X30-A3L	PIN SHAFT		1	

TB1S413010000K CONTROL ASSEMBLY (PTO) (cont'd.)

No.	Part No.	Description	Version	QTY.	Remark
11	TB550. 413-04	LEVER		1	
12	GBT308-9. 5-G100-b	STEEL BALL		1	
13	FT704. 42B. 163	FORK SHAFT LOCATING SPRING		1	
14	TB550. 413-03	SCREW		1	
15	GBT91-2. 5X32-A3L	SPLIT PIN		1	
16	TB1S413010002K	OPERATION FORK OF PTO		1	
17	GBT3452. 1-11. 2X2. 65G	RUBBER O-SEAL RING		1	
18	TB1S413010001K	PTO FORK SHAFT		1	
19	TB704. 413B. 1a	ROCKER WELDMENT		1	
20	QLWZB140-6X26	PIN		1	
21	TS04413010019	RETAINERPIECE		1	
22	GBT70. 1-M8X25-8. 8-A2L	INNER HEXAGON SCREW		2	
23	FT300. 41E. 109a	LEVER SHAFT SLEEVE		1	
24	GBT3452. 1-16. 0X1. 80G	RUBBER O-SEAL RING		1	

TB1S414010000K SHIELD (PT0)

LOWVOLT
zn D20743

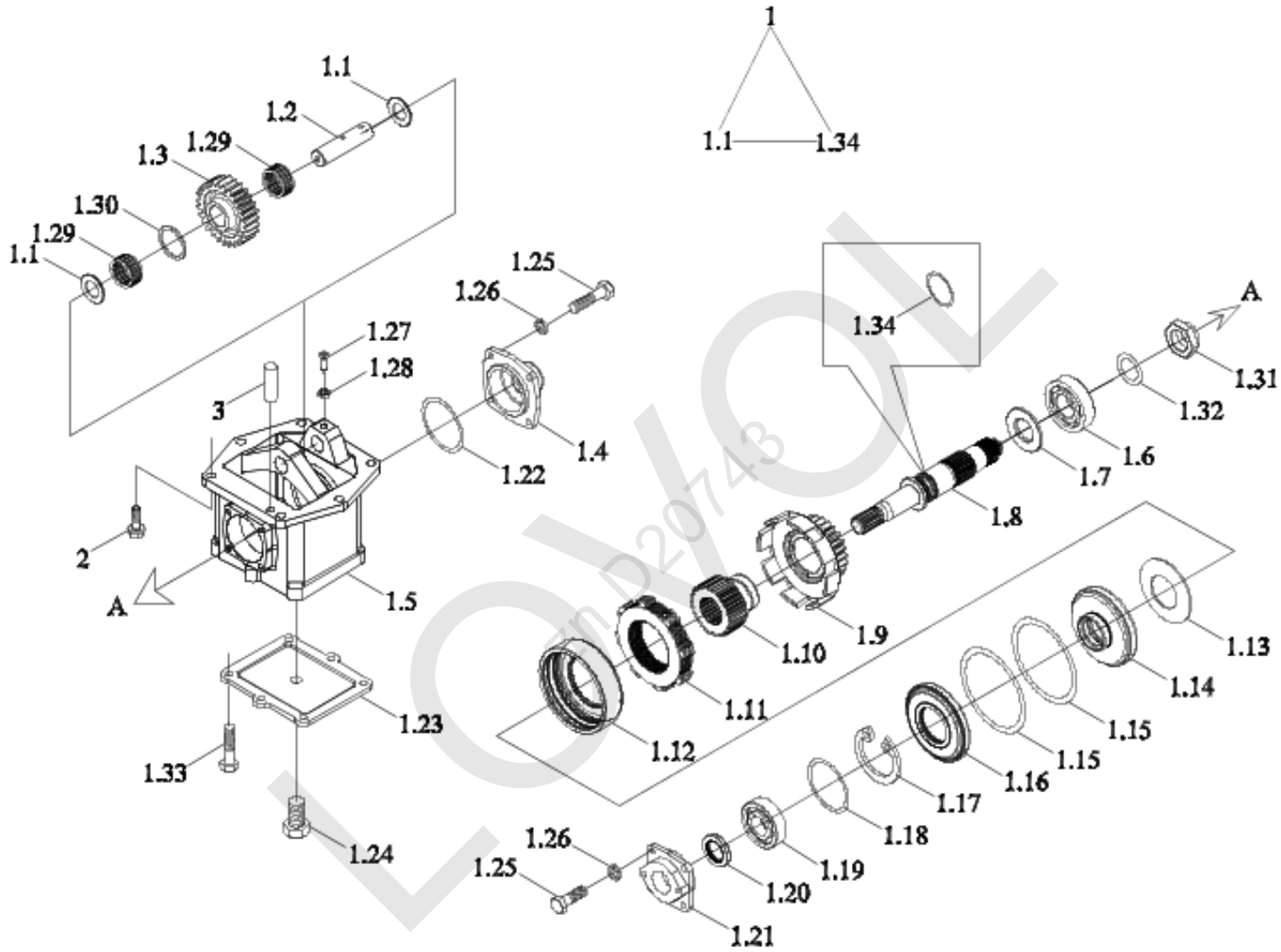


TB1S414010000K SHIELD (PTO)

No.	Part No.	Description	Version	QTY.	Remark
	TB1S414010000K	PTO BONNET ASSEMBLY		1	
1	GBT16674. 1-M12X25-10. 9-A3L	HEXAGON FLANGE NUT		4	
2	TB1S414010001K	PTO BONNET WELDMENT		1	

TB3S421030000K DROP GEAR BOX

LOWVOL
zn D20743



TB3S421030000K DROP GEAR BOX

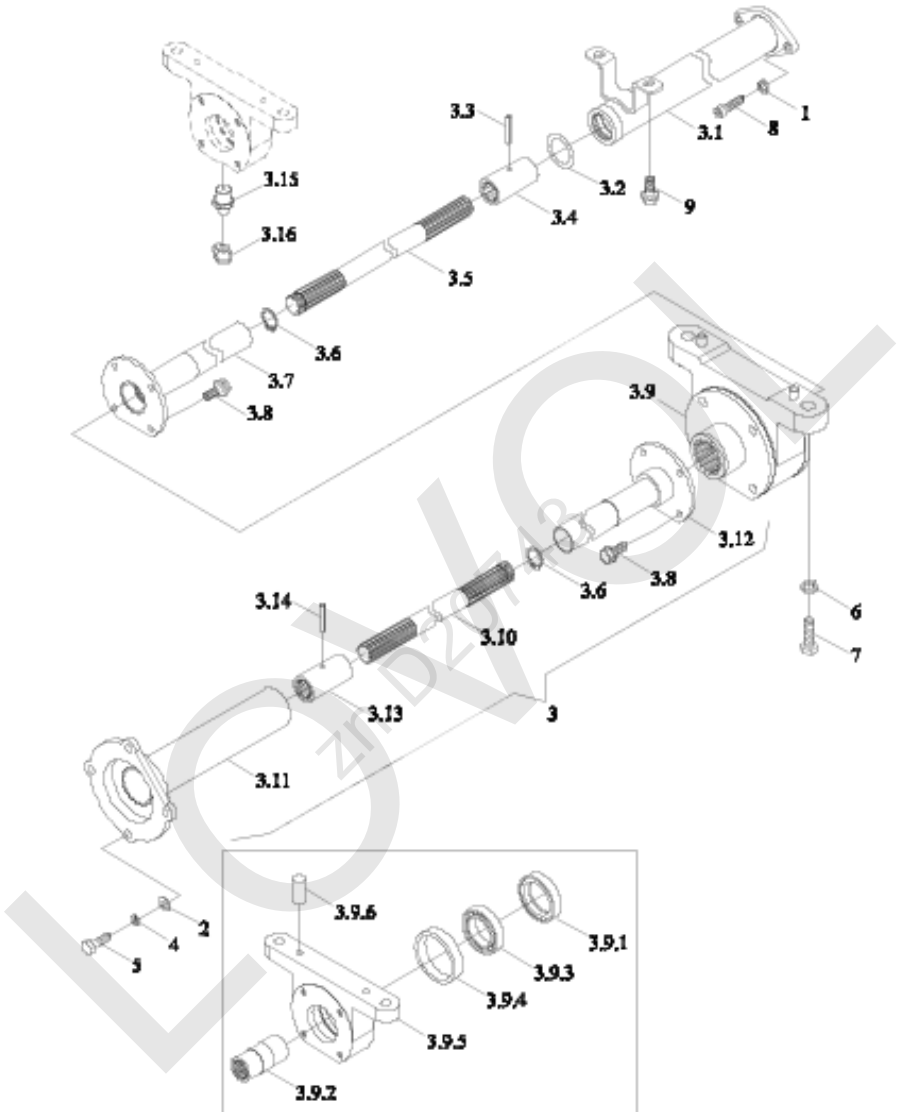
No.	Part No.	Description	Version	QTY.	Remark
	TB3S421030000K	TRANSFER CASE ASSEMBLY	003	1	
1	TB3S421030001K	TRANSFER CASE BODY INSTALLATION ASSEMBLY		1	
1.1	FT304.42F.103	THRUST RING		2	
1.2	TB554.421B.1-05	IDLER SHAFT		1	
1.3	TB3S421020003K	TRANSFER CASE IDLER		1	
1.4	TB3S421030006K	Oil distribution end cover		1	
1.5	TB3S421030002K	TRANSFER CASE HOUSING		1	
1.6	GBT276-6307	DEEP GROOVE BALL BEARING		1	
1.7	TB3S421030014K	THUST WASHER		1	
1.8	TB3S421030005K	OUTPUT SHAFT		1	
1.9	TB3S421030003K	TRANSFER CASE DRIVEN GEAR		1	
1.10	TB3S421030004K	BUSH		1	
1.11	TB3S421030013K	Friction plate and liner assembly		1	
1.12	TB3S421030008K	PISTON		1	
1.13	TB3S421030017K	DISC SPRING		4	
1.14	TB3S421030009K	MOUNTINGS ZCH00878		1	
1.15	PIS07010038	O-RING		2	
1.16	TB3S421030010K	The piston II		1	
1.17	TB3S421030018K	CIRCLIPS FOR HOLE		1	
1.18	TH04372010073	O-RING		1	
1.19	GBT276-6306	DEEP GROOVE BALL BEARING		1	
1.20	GBT9877.1-FB30X50X7D	ROTARY SHAFT LIP SEAL WITH INNER FRAME		1	
1.21	FT304.42F.106	BEARING BLOCK		1	

TB3S421030000K DROP GEAR BOX (cont'd.)

No.	Part No.	Description	Version	QTY.	Remark
1. 22	P5P41101159	SEAL RING		1	
1. 23	TB3S421030007K	COVER		1	
1. 24	TC05421020007	SCREW PLUG		1	
1. 25	GBT5783-M8X20-8. 8-A2L	HEX HEAD BOLTS		8	
1. 26	GBT93-8-A3L	STANDARD SPRING WASHER		8	
1. 27	FT304. 42. 112	THRUST SCREW		1	
1. 28	GBT6173-M10X1-05-A2L	HEXAGON THIN NUT		1	
1. 29	GBT20056-K25X31X20	NEEDLE AND CARRIER COMBINATION		2	
1. 30	FT304. 42. 126	NEEDLE INNER SPACER SLEEVE		1	
1. 31	TB3S421030016K	LOCKING NUT		1	
1. 32	BZF0002. 1-043	ADJUSTING SHIM		2	
1. 33	GBT5789-M10X25-8. 8-A3L	HEX FLANGE BOLTS		6	
1. 34	TB3S421030011K	O-RING		2	
2	GBT5789-M12X30-10. 9-A3L	HEX FLANGE BOLTS		6	
3	GBT119. 1-10m6X20-A3L	CYLINDRICAL PIN		2	

TB3S422040000K DRIVE ASSEMBLY (DROP GEAR BOX)

LOWVOL
zn D20743



TB3S422040000K DRIVE ASSEMBLY (DROP GEAR BOX)

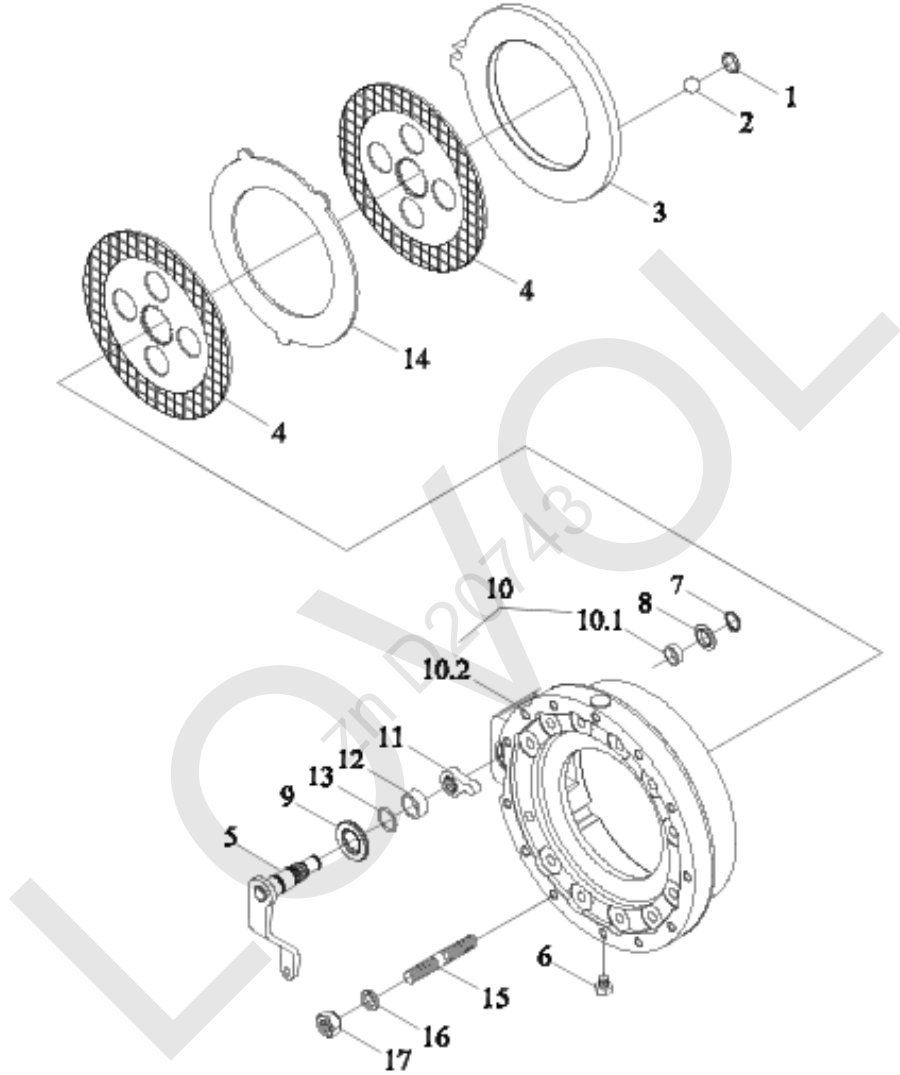
No.	Part No.	Description	Version	QTY.	Remark
	TB3S422040000K	TRANSFER CASE TRANSMISSION ASSEMBLY	001	1	
1	GBT93-8-A3L	STANDARD SPRING WASHER		2	
2	GBT97. 1-10-A3L	FLAT WASHERS		2	
3	TB3S422040001K	TRANSMISSION SHAFT ASSEMBLY		1	
3.1	TB3S422040002K	PROTECTING BUSH WELDMENT		1	
3.2	GBT3452. 1-34. 5X3. 55G	O-RING RUBBER SEAL FOR HYDRAULIC AND PNEUMATIC		2	
3.3	GBT879. 3-6X35	ELASTIC CYLINDRICAL PIN		1	
3.4	FT304. 42. 107a	SPLINE BUSH		1	
3.5	TB1S422010004K	REAR TRANSMISSION SHAFT		1	
3.6	GBT894. 1-26	RETAINING RING FOR SHAFT		2	
3.7	TB3S422020003K	SLEEVE WELDMENT 3		1	
3.8	GBT16674. 1-M8X20-8. 8-A2L	HEX FLANGE BOLTS		8	
3.9	TB554. 422. 1a	MIDDLE BEARING SEAT ASSEMBLY		1	
3.9. 1	GBT9877. 1-FB35X52X8B	ROTARY SHAFT LIP SEAL WITH INNER FRAME		2	
3.9. 2	FT304. 42X. 135a	MIDDLE SPLINE BUSH		1	
3.9. 3	GBT276-6007	DEEP GROOVE BALL BEARING		1	
3.9. 4	FT304. 42X. 137	RUBBER BAND		1	
3.9. 5	FT304. 42X. 138a	MIDDLE BEARING SEAT		1	
3.9. 6	GBT119. 1-8m6X20-A3L	CYLINDRICAL PIN		2	
3.10	TB3S422020002K	FRONT TRANSMISSION SHAFT		1	
3.11	FT304. 42X. 017	GUARD SLEEVE WELDMENT-2		1	
3.12	TS04422010009	GUARD SLEEVE WELDMENT		1	

TB3S422040000K DRIVE ASSEMBLY (DROP GEAR BOX) (cont'd.)

No.	Part No.	Description	Version	QTY.	Remark
3.13	FT654.42.120	CONNECTING SPLINE BUSH		1	
3.14	GBT879.3-6X40	ELASTIC CYLINDRICAL PIN		1	
3.15	JBT7940.1-M10X1	STRAIGHT-THROUGH PRESSURE OIL CUP		1	
3.16	TD800.311C.1-01	DUSTPROOF CAP OF OIL CUP		1	
4	GBT93-10-A3L	STANDARD SPRING WASHER		4	
5	GBT5783-M10X25-8.8-A3L	HEX HEAD BOLTS		4	
6	GBT93-12-A3L	STANDARD SPRING WASHER		2	
7	GBT5783-M12X40-8.8-A3L	HEX HEAD BOLTS		2	
8	GBT70.1-M8X20-8.8-A2L	HEXAGON SOCKET HEAD CAP SCREW		2	
9	GBT16674.1-M10X20-8.8-A3L	HEX FLANGE BOLTS		2	

TB3S43103000K BRAKE ASSEMBLY-LEFT

LOWELOW
zn D20743

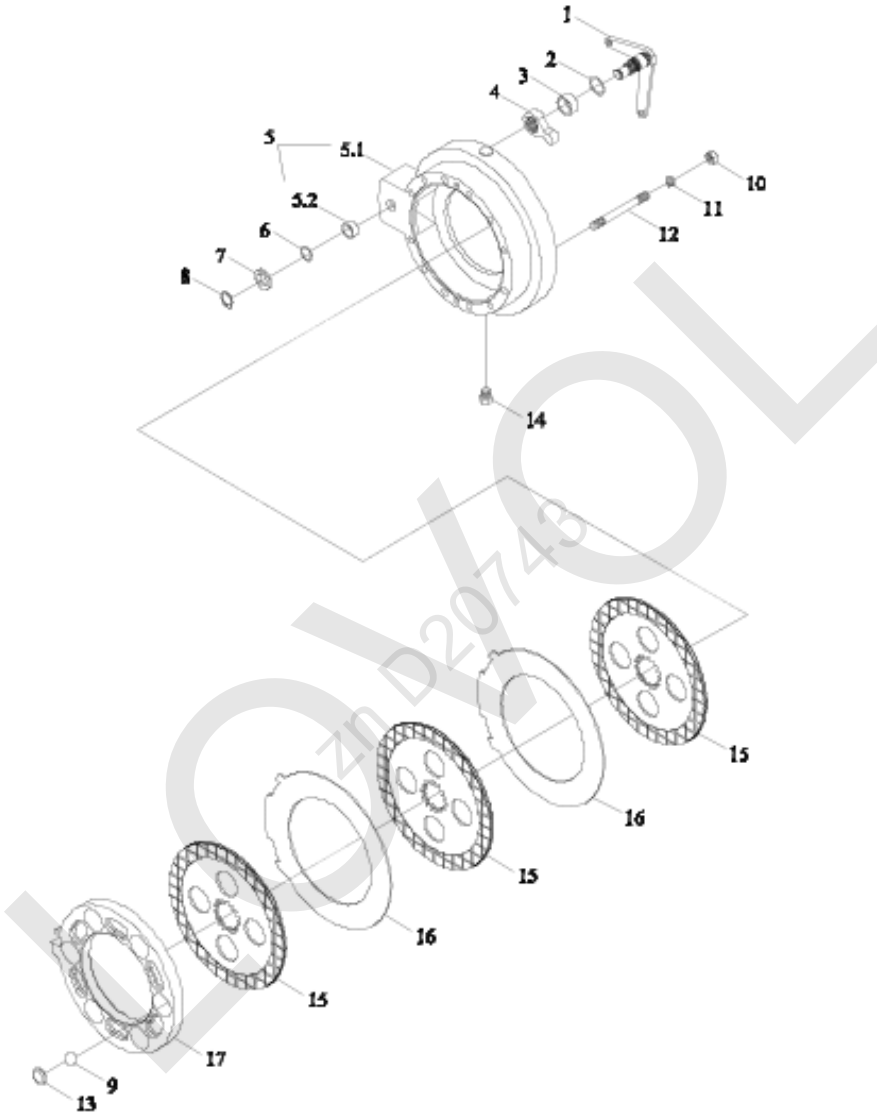


TB3S431030000K BRAKE ASSEMBLY-LEFT

No.	Part No.	Description	Version	QTY.	Remark
	TB3S431030000K	LEFT BRAKE ASSEMBLY	001	1	
1	FT300. 43. 102	BOWL PLUG		6	
2	GBT308-18-G100-b	STEEL BALL		6	
3	TB550. 431-01	LEFT BRAKE PRESSURE PLATE		1	
4	BZF0113. 2-002	FRICTION PLATE		3	
5	TB704. 431. 1b	LEFT CRANK WELDMENT		1	
6	GBT2878. 4-M12-PLH-A3L-NBR	PLUG		1	
7	GBT894. 1-18	RETAINING RING FOR SHAFT		1	
8	FT300. 43. 109b	WASHER		1	
9	FT300. 43. 141	FRAMEWORK OIL SEAL		1	
10	TB550. 431. 1a	LEFT BRAKE HOUSING		1	
10. 1	TB550. 431. 1-02	CRANK SHAFT BUSH		1	
10. 2	TB550. 431. 1-01a	LEFT BRAKE HOUSING		1	
11	TB550. 431-02a	FLOPPY PAD		1	
12	FT300. 43. 107	SPACER		1	
13	GBT3452. 1-20. 0X2. 65G	O-RING RUBBER SEAL FOR HYDRAULIC AND PNEUMATIC		1	
14	BZF0113. 2-101	BULKHEAD		2	
15	GBT899-AM12-M12X1. 25X80-10. 9-A 2L	STUD		13	
16	GBT93-12-A3L	STANDARD SPRING WASHER		13	
17	GBT6171-M12X1. 25-10-A2L	TYPE 1 HEX NUT		13	

TB3S432030000K BRAKE ASSEMBLY-R I G H T

LOWVOL
zn D20743

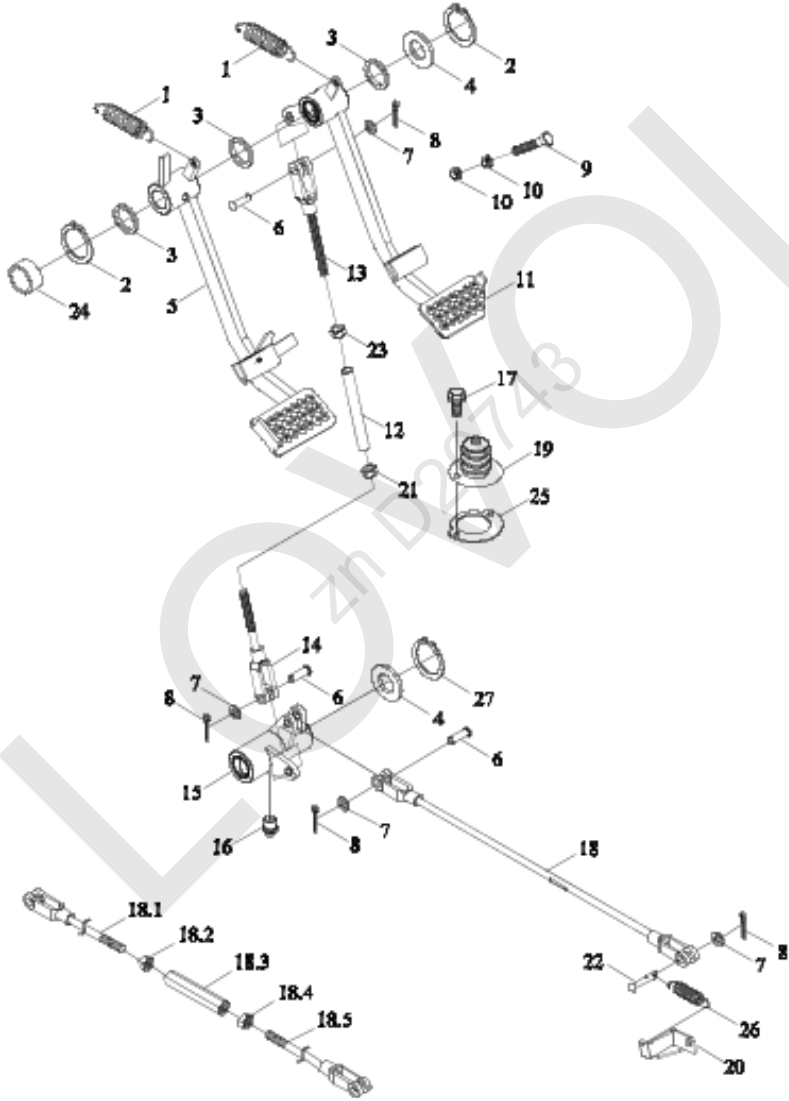


TB3S432030000K BRAKE ASSEMBLY-RIGHT

No.	Part No.	Description	Version	QTY.	Remark
	TB3S432030000K	RIGHT BRAKE ASSEMBLY	001	1	
1	TB704. 432. 1b	RIGHT CRANK WELDMENT		1	
2	GBT3452. 1-20. 0X2. 65G	O-RING RUBBER SEAL FOR HYDRAULIC AND PNEUMATIC		1	
3	FT300. 43. 107	SPACER		1	
4	TB550. 431-02a	FLOPPY PAD		1	
5	TB550. 432. 1a	RIGHT BRAKE HOUSING		1	
5.1	TB550. 432. 1-01a	RIGHT BRAKE HOUSING		1	
5.2	TB550. 431. 1-02	CRANK SHAFT BUSH		1	
6	FT300. 43. 141	FRAMEWORK OIL SEAL		1	
7	FT300. 43. 109b	WASHER		1	
8	GBT894. 1-18	RETAINING RING FOR SHAFT		1	
9	GBT308-18-G100-b	STEEL BALL		6	
10	GBT6171-M12X1. 25-10-A2L	TYPE 1 HEX NUT		13	
11	GBT93-12-A3L	STANDARD SPRING WASHER		13	
12	GBT899-AM12-M12X1. 25X80-10. 9-A 2L	STUD		13	
13	FT300. 43. 102	BOWL PLUG		6	
14	GBT2878. 4-M12-PLRH-A3L-NBR	PLUG		1	
15	BZF0113. 2-002	FRICTION PLATE		3	
16	BZF0113. 2-101	BULKHEAD		2	
17	TB550. 432-01	RIGHT BRAKE PRESSURE PLATE		1	

LOWLOL
zn D20743

TB3S433030000K CONTROL MECHANISM ASSEMBLY (BRAKE) -1



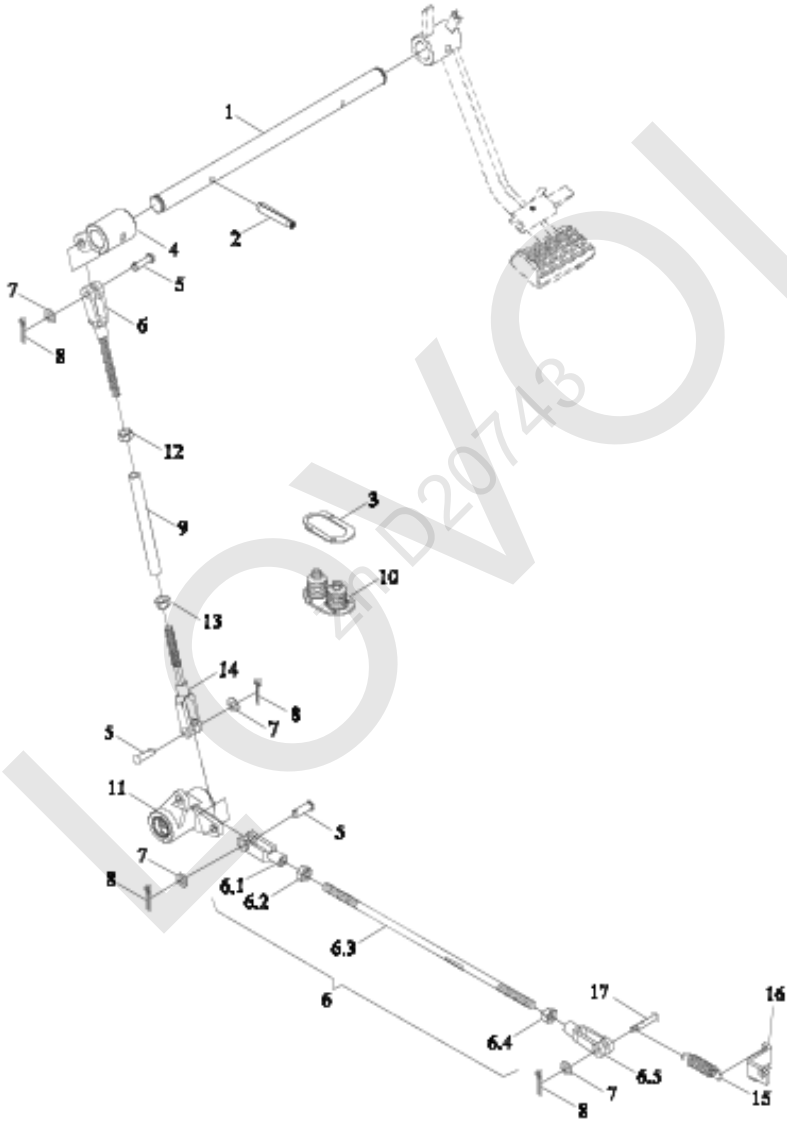
TB3S433030000K CONTROL MECHANISM ASSEMBLY (BRAKE) -1

No.	Part No.	Description	Version	QTY.	Remark
	TB3S433030000K	BRAKE CONTROL MECHANISM ASSEMBLY	001	1	
1	TD800. 43-01	PEDAL RETURN SPRING		2	
2	GBT894. 1-25	RETAINING RING FOR SHAFT		1	
3	GBT97. 1-24-A3L	FLAT WASHERS		2	
4	TE250. 433C-02	GASKET		6	
5	TB3S433030007K	LEFT BRAKE PEDAL UNIT		1	
6	GBT882-B10X30-A3L	PIN		8	
7	GBT97. 1-10-A3L	FLAT WASHERS		10	
8	GBT91-3. 2X22-A3L	COTTER PIN		10	
9	GBT5783-M10X45-8. 8-A3L	HEX HEAD BOLTS		2	
10	GBT6170-M10-8-A3L	TYPE 1 HEX NUT		4	
11	TB3S433030010K	RIGHT BRAKE PEDAL UNIT		1	
12	TE354. 433-03	CONNECTING ROD		2	
13	TB604. 212A. 5	UPPER PULL ROD WELDMENT		2	
14	TB604. 433E. 10	LOWER PULL ROD WELDMENT		2	
15	TB3S433030004K	ROCKER UNIT HUB		1	
16	JBT7940. 1-M8X1	STRAIGHT-THROUGH PRESSURE OIL CUP		3	
17	GBT16674. 1-M5X12-8. 8-A2L	HEX FLANGE BOLTS		5	
18	TS04433010030	BRAKE PULL ROD		2	
18. 1	FT300. 43. 110	PULL ROD REAR FORK		1	
18. 2	GBT6170-M10-LH-8-A3L	TYPE 1 HEX NUT		1	
18. 3	TB604. 433E-03	LOWER PULL ROD		1	
18. 4	GBT6171-M10X1-8-A2L	TYPE 1 HEX NUT		1	

TB3S433030000K CONTROL MECHANISM ASSEMBLY (BRAKE) -1 (cont'd.)

No.	Part No.	Description	Version	QTY.	Remark
18.5	TA700.431A-01	DEXTROROTATION LONG HOLE CONNECT FORK		1	
19	TB3S433010008	DUSTPROOF SLEEVE		2	
20	TB704.433.5	RIGHT RETURN SPRING CONNECTING PLATE WELDMENT		1	
21	GBT6171-M12X1.5-8-A3L	TYPE 1 HEX NUT		2	
22	TB704.433-04	CONNECTING PIN		2	
23	GBT6171-M12X1.5-LH-8-A3L	TYPE 1 HEX NUT		2	
24	TS04433010011	SPACER BUSH		1	
25	TB3S433040001a	SEAL SLEEVE PRESSURE PLATE		1	
26	TE250.212D-05	CLUTCH PEDAL RETURN SPRING		2	
27	GBT894.1-24	RETAINING RING FOR SHAFT		1	

TB3S433030000K CONTROL MECHANISM ASSEMBLY (BRAKE) -2



TB3S433030000K CONTROL MECHANISM ASSEMBLY (BRAKE) -2

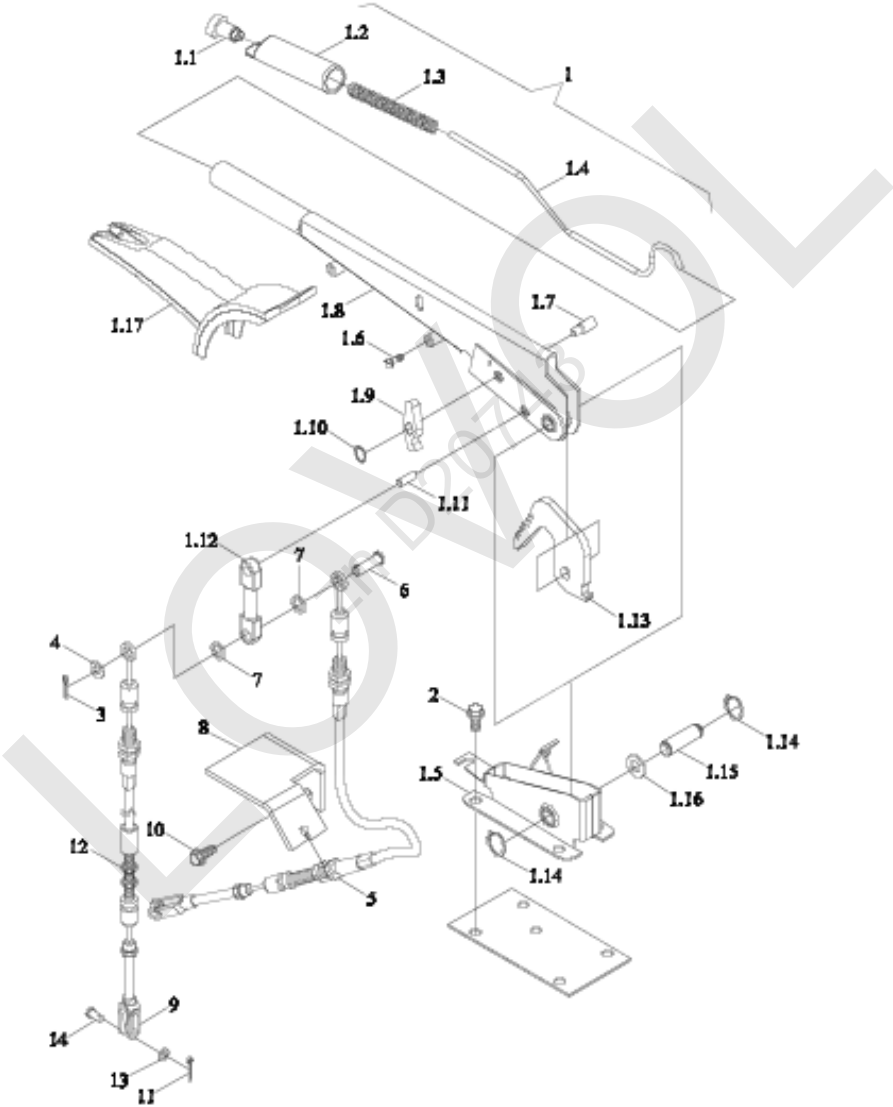
No.	Part No.	Description	Version	QTY.	Remark
	TB3S433030000K	BRAKE CONTROL MECHANISM ASSEMBLY		1	
1	TB604. 433E-01	SUPPORT SHAFT		1	
2	GBT879. 3-8X45	ELASTIC CYLINDRICAL PIN		2	
3	TB3S433010011a	PRESSURE PLATE		1	
4	TB604. 433E. 3	LEFT DRAW ARM WELDMENT		1	
5	GBT882-B10X30-A3L	PIN		8	
6	TS04433010030	BRAKE PULL ROD		2	
6.1	FT300. 43. 110	PULL ROD REAR FORK		1	
6.2	GBT6170-M10-LH-8-A3L	TYPE 1 HEX NUT		1	
6.3	TB604. 433E-03	LOWER PULL ROD		1	
6.4	TA700. 431A-01	DEXTROROTATION LONG HOLE CONNECT FORK		1	
6.5	GBT6171-M10X1-8-A2L	TYPE 1 HEX NUT		1	
7	GBT97. 1-10-A3L	FLAT WASHERS		10	
8	GBT91-3. 2X22-A3L	COTTER PIN		10	
9	TE354. 433-03	CONNECTING ROD		2	
10	TB3S433010010	DUST COVER		1	
11	TB3S433030001K	ROCKER UNIT HUB		1	
12	GBT6171-M12X1. 5-8-A3L	TYPE 1 HEX NUT		2	
13	GBT6171-M12X1. 5-LH-8-A3L	TYPE 1 HEX NUT		2	
14	TB604. 212A. 5	UPPER PULL ROD WELDMENT		2	
15	TE250. 212D-05	CLUTCH PEDAL RETURN SPRING		2	

TB3S433030000K CONTROL MECHANISM ASSEMBLY (BRAKE) -2 (cont'd.)

No.	Part No.	Description	Version	QTY.	Remark
16	TB704. 433. 6	LEFT RETURN SPRING CONNECTING PLATE WELDMENT		1	
17	TB704. 433-04	CONNECTING PIN		2	

LOWLOL
zn D20743

TB3S433030000K CONTROL MECHANISM ASSEMBLY (BRAKE) -3



TB3S433030000K CONTROL MECHANISM ASSEMBLY (BRAKE) -3

No.	Part No.	Description	Version	QTY.	Remark
	TB3S433030000K	BRAKE CONTROL MECHANISM ASSEMBLY		1	
1	TB1S433030001K	HAND BRAKE CONTROLLING HANDLE ASSEMBLY		1	
1.1	TS04433020009	BUTTON ASSEMBLY		1	
1.2	TS04433020008	SLEEVE		1	
1.3	FT800. 43. 180	SPRING		1	
1.4	FT800A. 21. 315	TOP ROD		1	
1.5	TB1S433020003K	FIXING SEAT WELDMENT		1	
1.6	GBT68-M4X10-4. 8-A2L	SLOTTED SCREW		4	
1.7	FT800A. 21. 322	SMALL PIN SHAFT		1	
1.8	TB1S433020002K	CONTROLLING HANDLE ASSEMBLY		1	
1.9	FT800A. 21. 314	PAWL		1	
1.10	GBT894. 1-6	RETAINING RING FOR SHAFT		1	
1.11	FT800A. 21. 323	PIN		1	
1.12	TB1S433010002K	SHORT PULL ROD		1	
1.13	FT800A. 43. 310	RATCHET WHEEL		1	
1.14	GBT894. 1-14	RETAINING RING FOR SHAFT		2	
1.15	FT800A. 21. 321	PIN		1	
1.16	TS06212010009	WASHER		2	
1.17	TS04433020010	BONNET		1	
2	GBT16674. 1-M8X20-8. 8-A2L	HEX FLANGE BOLTS		4	
3	GBT91-2X20-A3L	COTTER PIN		1	
4	GBT97. 1-8-A3L	FLAT WASHERS		1	
5	TB1S433010013K	RIGHT BRAKE PULL WIRE ASSEMBLY		1	

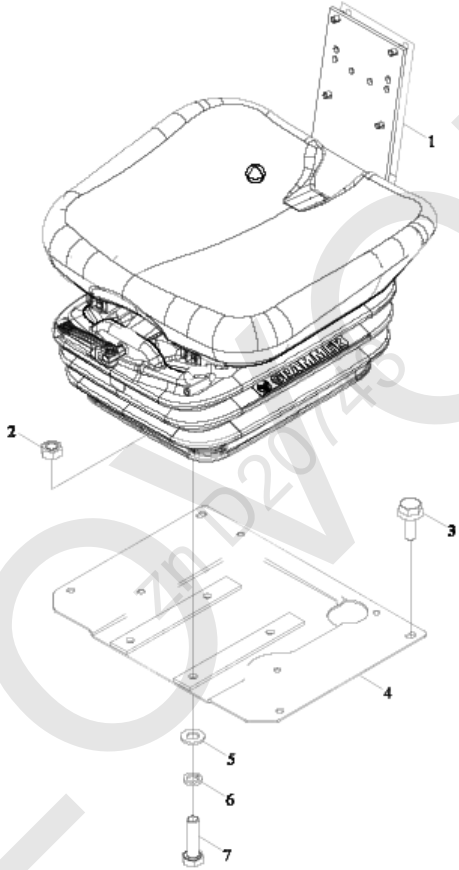
TB3S433030000K CONTROL MECHANISM ASSEMBLY (BRAKE) -3 (cont'd.)

No.	Part No.	Description	Version	QTY.	Remark
6	GBT882-B8X40-A3L	PIN		1	
7	TB604. 433E-04	SMALL RETAINER RING		2	
8	TB1S433010004K	LEFT PULL WIRE SUPPORT SEAT WELDMENT		1	
9	TA700. 431A-01	DEXTROROTATION LONG HOLE CONNECT FORK		2	
10	GBT16674. 1-M10X20-8. 8-A3L	HEX FLANGE BOLTS		2	
11	GBT91-3. 2X22-A3L	COTTER PIN		10	
12	TB1S433010012K	LEFT BRAKE WIRE ASSEMBLY		1	
13	GBT97. 1-10-A3L	FLAT WASHERS		10	
14	GBT882-B10X30-A3L	PIN		8	

LOWLOL
zn D20743

TB1S440010000K SEAT MOUNTING ASSEMBLY

LOWLOL
zn D20743

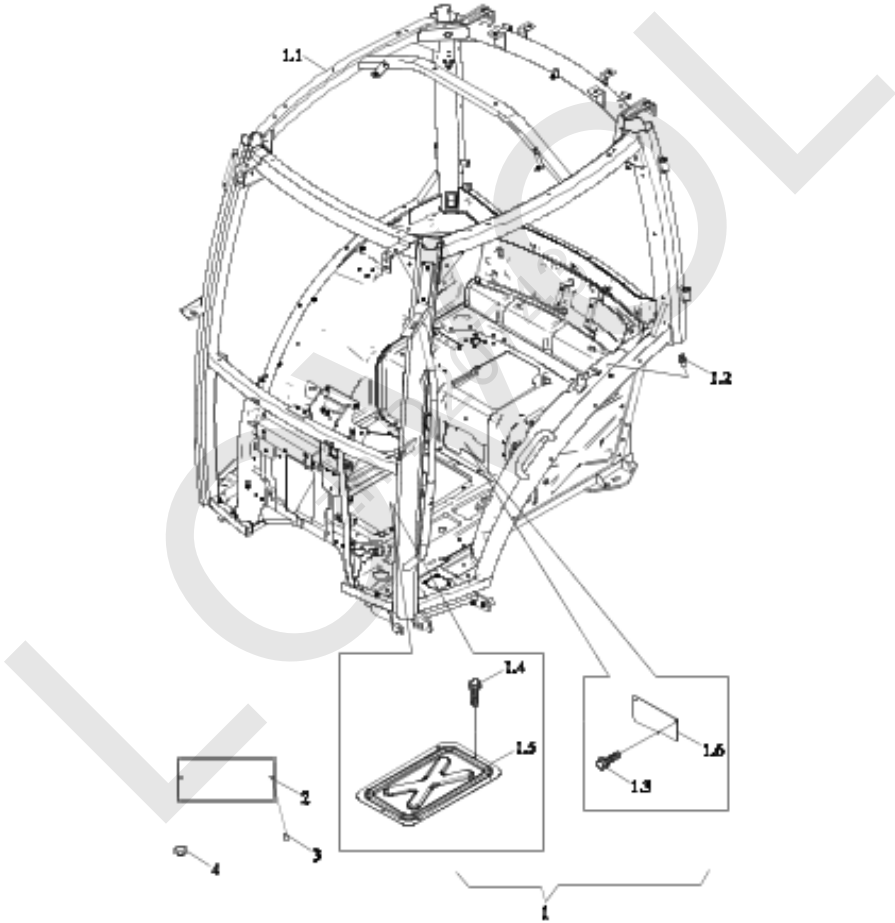


TB1S440010000K SEAT MOUNTING ASSEMBLY

No.	Part No.	Description	Version	QTY.	Remark
	TB1S440010000K	SEAT INSTALLATION ASSEMBLY		1	
1	TB1S440010001K	SEAT ASSEMBLY		1	
2	GBT6170-M8-8-A2L	HEXAGON NUT, TYPE-1		4	
3	GBT5789-M8X20-8.8-A2L	HEXAGON FLANGE NUT		4	
4	TB1S440010002K	SEAT INSTALLATION PLATE WELDMENT		1	
5	GBT97.1-8-A3L	FLAT WASHER		4	
6	GBT93-8-A3L	STANDARD SPRING WASHER		4	
7	GBT5783-M8X30-8.8-A2L	HEXAGON BOLT		4	

LOWLOL
zn D20743

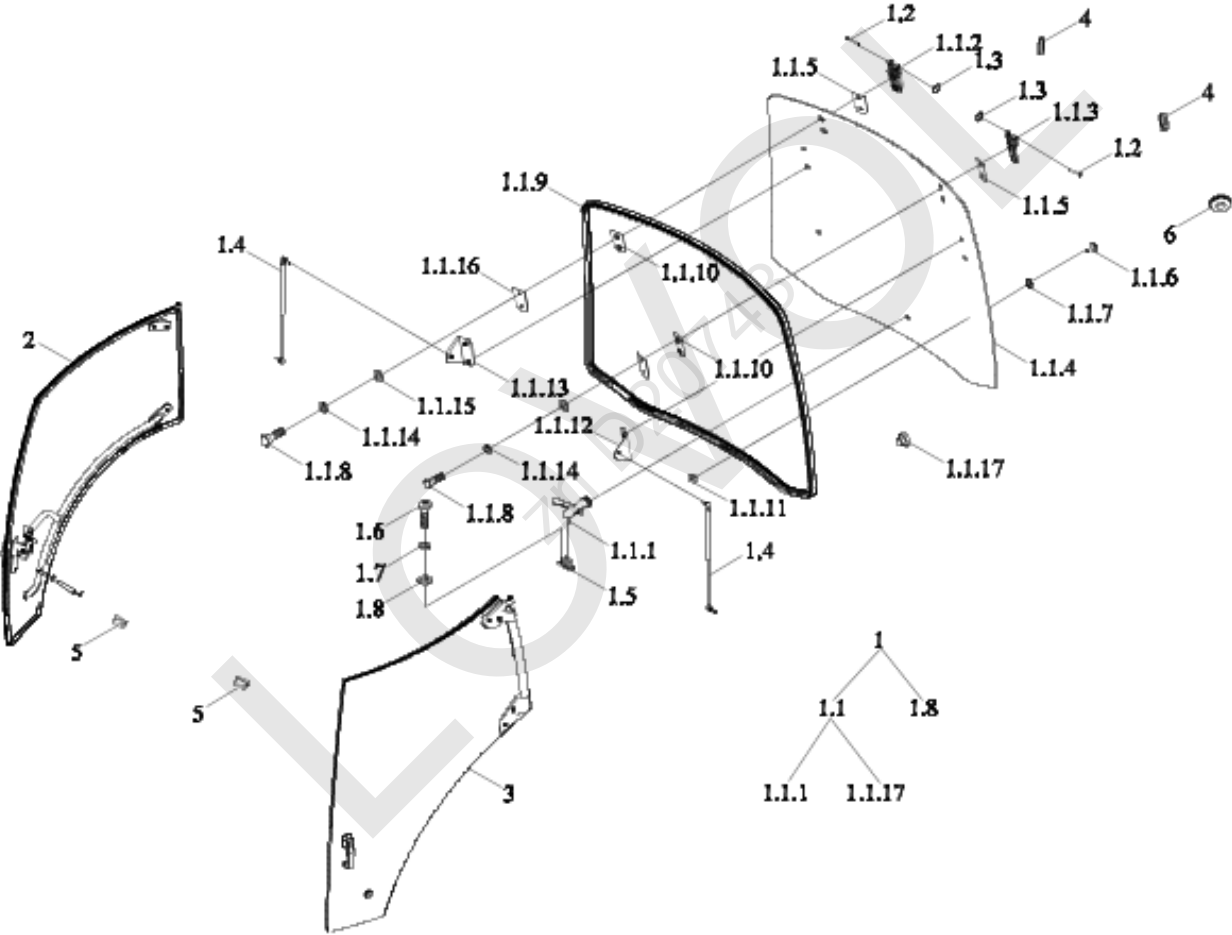
TB3S451010000K CAB ASSEMBLY-1



TB3S451010000K CAB ASSEMBLY-1

No.	Part No.	Description	Version	QTY.	Remark
	TB3S451010000K	CAB ASSEMBLY	002	1	
1	TB3S451010001K	CAB WELDMENT		1	
1.1	TB3S451010002K	CAB WELDMENT		1	
1.2	TS06451011153	DOOR PNEUMATIC SPRING INSTALLATION SEAT		2	
1.3	GBT16674. 1-M6X12-8. 8-A2L	HEX FLANGE BOLTS		3	
1.4	GBT16674. 1-M6X16-8. 8-A2L	HEX FLANGE BOLTS		5	
1.5	TS04451012001a	BONNET		1	
1.6	TS04451012005	REAR FLOOR COVER		1	
2	TB3S451010023K	EC NAMEPLATE CAB		1	
3	GBT12618-3X15	RIVET		2	
4	TD800. 452-11	PLUG COVER		1	

TB3S451010000K CAB ASSEMBLY-2



TB3S451010000K CAB ASSEMBLY-2

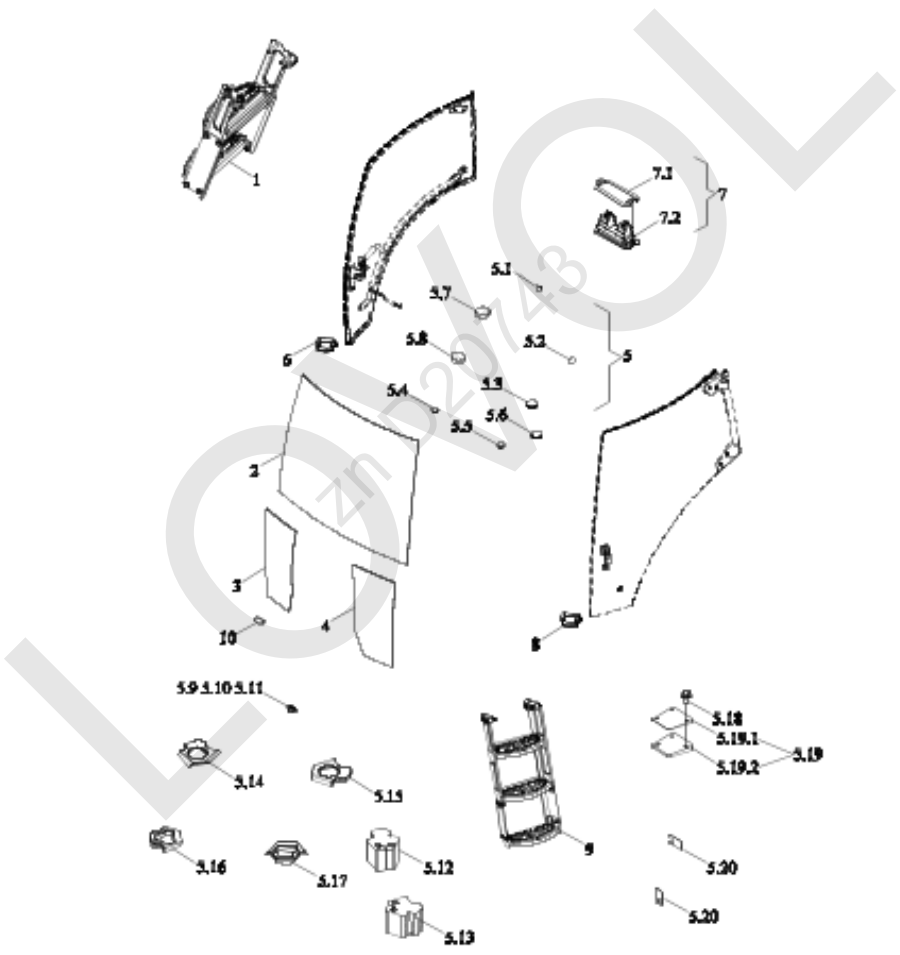
No.	Part No.	Description	Version	QTY.	Remark
	TB3S451010000K	CAB ASSEMBLY		1	
	TB3S451011000K	CAB ACCESSORY		1	
1	TB1S451020008K	REAR WINDOW ASSEMBLY		1	
1.1	TB1S451020009K	BACK WIND WINDOWS		1	
1.1.1	TS06451016109	HANDLE ASSEMBLY		1	
1.1.2	TS04451046111	BACK WINDOWS RIGHT HINGED SEAT		1	
1.1.3	TS04451046110	BACK WINDOWS LEFT HINGED SEAT		1	
1.1.4	TB1S451020010K	BACK WIND WINDOW GLASS		1	
1.1.5	TS06451016112	BACK WINDOWS HINGED OUT PAD BOARD		2	
1.1.6	TS04451013106	CAST BOLT		4	
1.1.7	TD904.451C.2-10	GLASS OUT WASHER		4	
1.1.8	GBT5789-M8X20-8.8-A2L	HEX FLANGE BOLTS		4	
1.1.9	TS04451016108	REAR WINDOW SEAL STRIP		1	
1.1.10	TS04451046113	BACK WINDOWS HINGED INTO PAD BOARD		2	
1.1.11	TD904.451C.2-09	GLASS IN WASHER		4	
1.1.12	TS04451026105	LEFT INSTALLATION BRACKET		1	
1.1.13	TS04451026106	RIGHT INSTALLATION BRACKET		1	
1.1.14	GBT93-8-A0P	STANDARD SPRING WASHER		4	
1.1.15	GBT96.1-8-A3L	LARGE WASHER		4	
1.1.16	TS06451016107	DOOR HINGE SEAT		2	
1.1.17	TS04451013109	PLUG COVER		4	
1.2	TS06451016004	BACK WINDOWS HINGED PIN SHAFT		2	
1.3	GBT896-6	SPLIT RETAINER RING		2	

TB3S451010000K CAB ASSEMBLY-2 (cont'd.)

No.	Part No.	Description	Version	QTY.	Remark
1.4	TS06451016001	REAR WINDOW PNEUMATIC SPRING		2	
1.5	TS06451016003	SEAT		1	
1.6	GBT818-M6X20-4.8	CROSS RECESSED PAN HEAD SCREWS		2	
1.7	GBT93-6-AOP	STANDARD SPRING WASHER		2	
1.8	GBT97.1-6-AOP	FLAT WASHERS		2	
2	TB1S451010039K	RIGHT DOOR ASSEMBLY		1	
3	TB1S451010036K	LEFT DOOR ASSEMBLY		1	
4	FT65.48.093	RUBBER RING		4	
5	TS06451011269	GLASS MOUNTINGS MAT		2	
6	TS04451010010	PLUG COVER		2	

LOWLOL
zn D20743

TB3S451010000K CAB ASSEMBLY-3



TB3S451010000K CAB ASSEMBLY-3

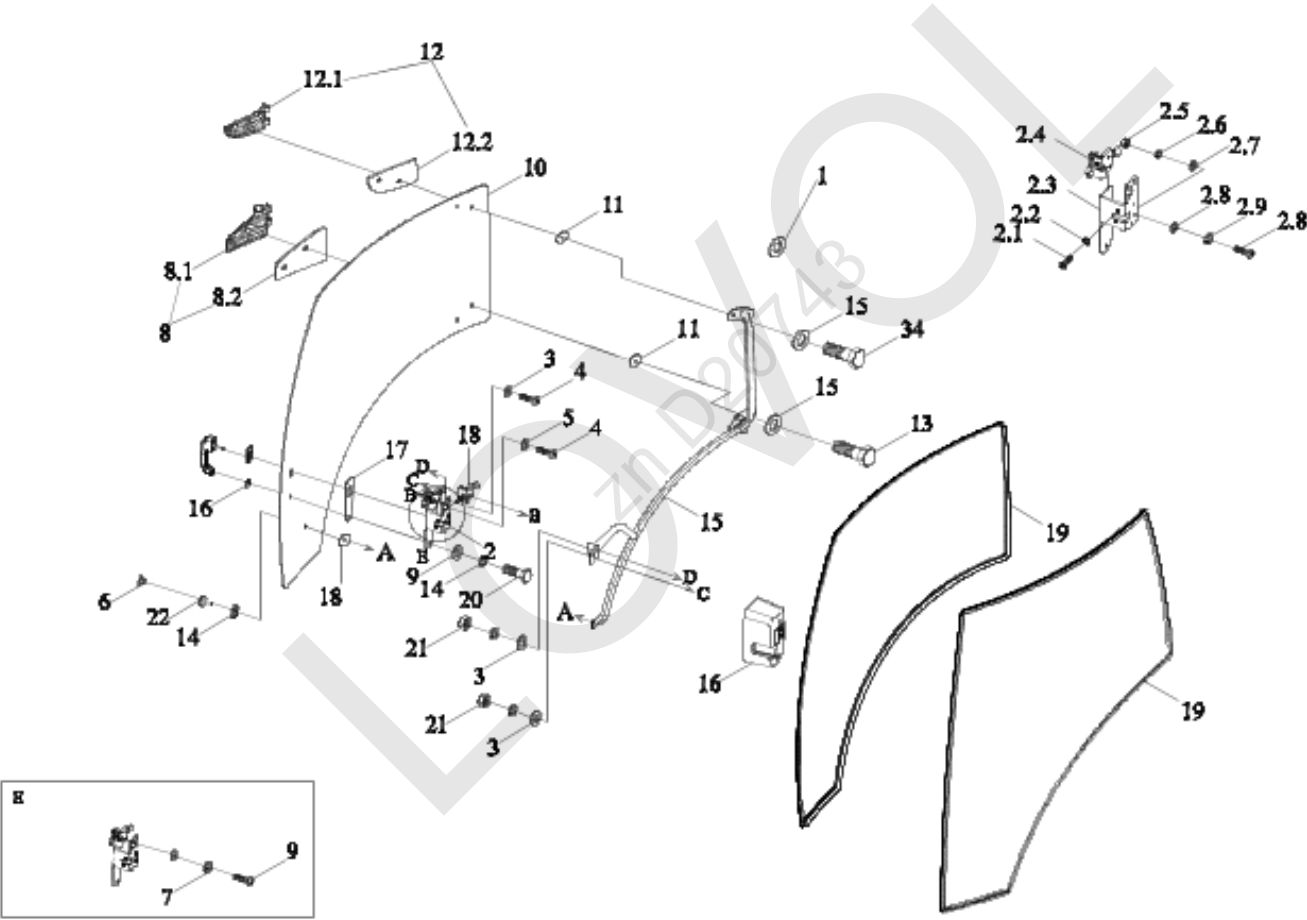
No.	Part No.	Description	Version	QTY.	Remark
	TB3S451010000K	CAB ASSEMBLY		1	
	TB3S451010002	CAB ACCESSORY		1	
1	TS04451017509	RIGHT LADDER		1	
2	TB3S451011001K	FRONT WINDSHIELD		1	
3	TB1S451010035K	RIGHT FRONT LOWER WINDOW GLASS		1	
4	TB1S451010034K	LEFT FRONT LOWER WINDOW GLASS		1	
5	TS04451019000	CAB SEAL		1	
5.1	TS06451019004	PROCESS PLUG COVER 4		2	
5.2	TS06451019001	PROCESS PLUG COVER 1		32	
5.3	TD800. 452-13	PLUG COVER		8	
5.4	TS06451019003	PROCESS HOLE COVER 3		16	
5.5	TS06451019002	PROCESS HOLE COVER 2		8	
5.6	TD800. 452Z-01	PLUG COVER		1	
5.7	QLWZL002-80X1.5	3M GLUE PIECE		2	
5.8	QLWZL002-20X1.0	3M GLUE PIECE		8	
5.9	TS04451010020	PLUG COVER		2	
5.10	TS04451010030	PLUG COVER		6	
5.11	TS04451010050	PLUG COVER		1	
5.12	TN1S451020023	SEAL SPONGE		1	
5.13	TN1S451020022	SEAL SPONGE		1	
5.14	TS06451019010	RUBBER PLUG		1	
5.15	TS06451019009	RUBBER PLUG		1	
5.16	TS06451019008	RUBBER PLUG		1	

TB3S451010000K CAB ASSEMBLY-3 (cont'd.)

No.	Part No.	Description	Version	QTY.	Remark
5.17	TS06451019007	RUBBER PLUG		1	
5.18	GBT16674.1-M6X12-8.8-A2L	HEX FLANGE BOLTS		3	
5.19	TS04451010045	COVER PLATE		1	
5.19.1	TB3S452011313	Repair cover plate bonding		1	
5.19.2	TB2S451010043	SEALED COTTON		1	
5.20	TB2S451010042	SEALING PLATE		2	
6	TS06811010009	GUARD RING 2		1	
7	TB1S451060007K	HANDLE BONNET		1	
7.1	TS04451010042	BONNET PRESSURE PLATE		1	
7.2	TB1S451060008K	HANDLE BONNET		1	
8	TS06811010008	GUARD RING 1		1	
9	TS04451017000	LEFT LADDER		1	
10	TS06451011274	GLASS MOUNTINGS MAT		2	

LOWLOL
zn D20743

TB3S451010000K CAB ASSEMBLY-4



TB3S451010000K CAB ASSEMBLY-4

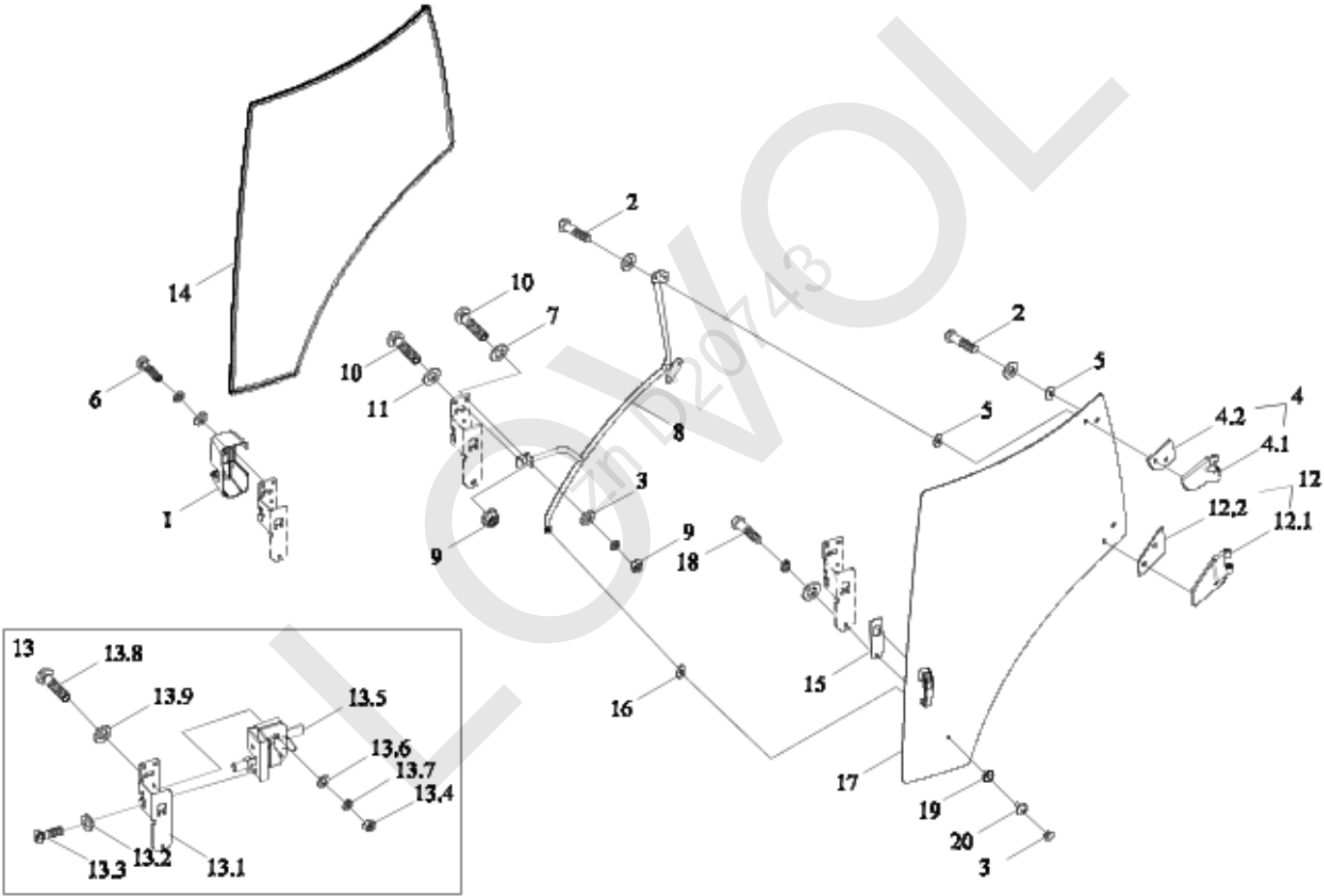
No.	Part No.	Description	Version	QTY.	Remark
	TB3S451010000K	CAB ASSEMBLY		1	
	TB3S451011000K	CAB ACCESSORY		1	
	TB1S451010039K	RIGHT DOOR ASSEMBLY		1	
	TB1S451010036K	LEFT DOOR ASSEMBLY		1	
	TB1S451010040K	RIGHT DOOR		1	
1	GBT97. 1-6-A3L	FLAT WASHERS		2	
2	TS06451014017	RIGHT DOOR LOCK ASSEMBLY		1	
2.1	GBT819. 1-M6X16-4. 8-A2L	CROSS RECESSED COUNTERSUNK HEAD SCREWS		2	
2.2	GBT956. 1-6	CONICAL LOCK WASHERS		2	
2.3	TS06451014116	RIGHT DOOR INSTALLATION BRACKET		1	
2.4	TS06451014210	RIGHT DOOR LOCK		1	
2.5	GBT6170-M6-8-A2L	TYPE 1 HEX NUT		2	
2.6	GBT93-6-A3L	STANDARD SPRING WASHER		2	
2.7	GBT97. 1-6-A3L	FLAT WASHERS		4	
2.8	GBT818-M6X30-4. 8-A2L	CROSS RECESSED PAN HEAD SCREWS		2	
3	GBT97. 1-8-A3L	FLAT WASHERS		2	
4	GBT5789-M8X25-8. 8-A2L	HEX FLANGE BOLTS		4	
5	GBT5287-8-A2L	BIG WASHER		1	
6	TS04451013109	PLUG COVER		1	
7	GBT93-6-A3L	STANDARD SPRING WASHER		2	
8	TS04451044224	LOWER RIGHT DOOR HINGE ASSY		1	
8.1	TS04451044222	RIGHT DOOR HING LOWER		1	
8.2	TS04451044112	RIGHT DOOR HINGE OUT RUBBER WASHER LOWER		1	

TB3S451010000K CAB ASSEMBLY-4 (cont'd.)

No.	Part No.	Description	Version	QTY.	Remark
9	GBT818-M6X16-4.8-A2L	CROSS RECESSED PAN HEAD SCREWS		2	
10	TB1S451010041K	RIGHT DOOR GLASS		1	
11	TS04451043110	DOOR HINGE IN RUBBER WASHER		4	
12	TS04451044223	UPPER RIGHT DOOR HINGE ASSY		1	
13	GBT818-M8X30-4.8-A2L	CROSS RECESSED PAN HEAD SCREWS		3	
14	TD904.451C.2-10	GLASS OUT WASHER		1	
15	TS04451014103	RIGHT DOOR RAIL WELDMENT		1	
16	TS06451014230	RIGHT DOOR LOCK BONNET		1	
17	TS04451013001	PAD BOARD		1	
18	TS04451013121	DOOR GLASS RUBBER WASHER		1	
19	TS04451013102	DOOR SEAL STRIP		1	
20	GBT5789-M6X35-8.8-A2L	HEX FLANGE BOLTS		3	
21	GBT6177.1-M8-8-A2L	HEXAGON FLANGE NUT		3	
22	TS04451013106	CAST BOLT		1	

LOWVOL
zn D20743

TB3S451010000K CAB ASSEMBLY-5



TB3S451010000K CAB ASSEMBLY-5

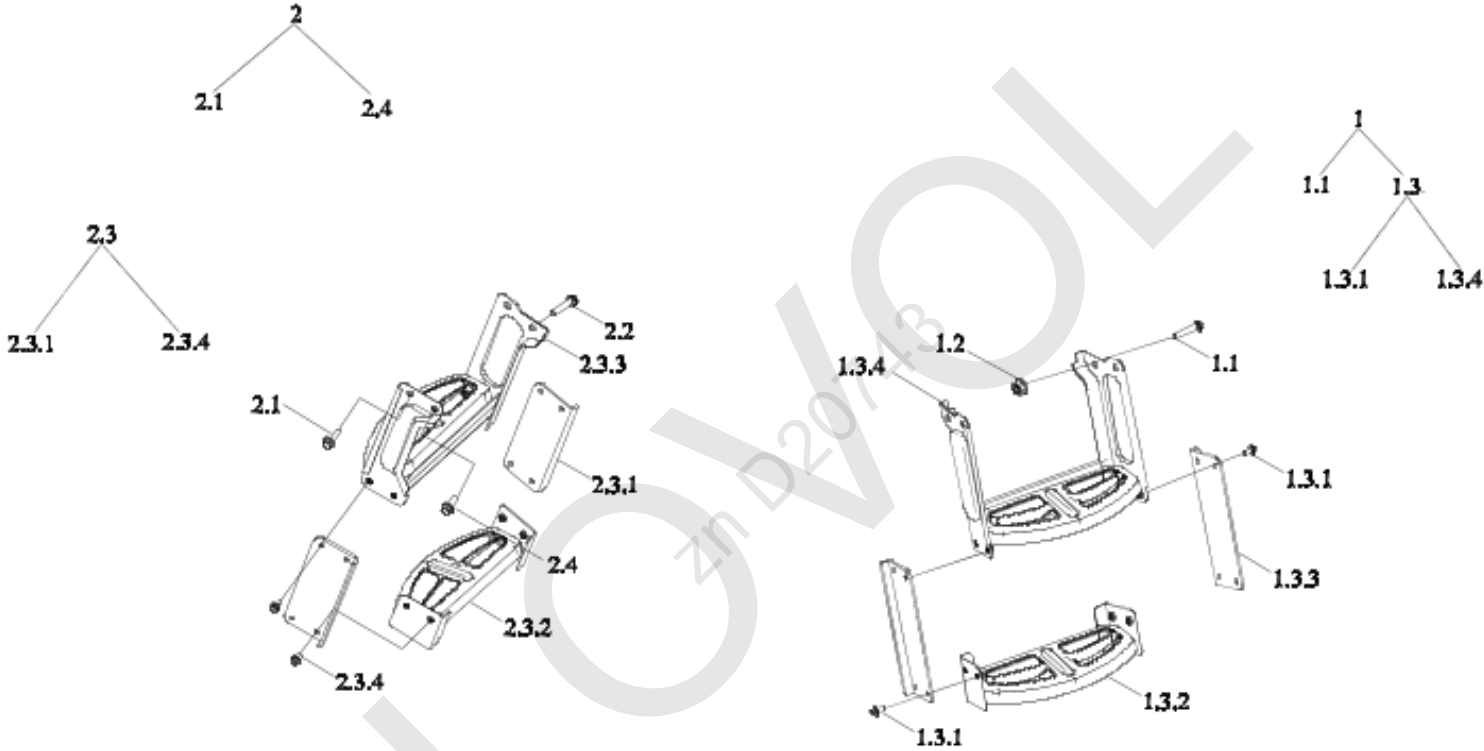
No.	Part No.	Description	Version	QTY.	Remark
	TB3S451010000K	CAB ASSEMBLY		1	
	TB3S451011000K	CAB ACCESSORY		1	
	TB1S451010036K	LEFT DOOR ASSEMBLY		1	
	TS04451043100	LEFT DOOR		1	
1	TS06451013230	LEFT DOOR LOCK BONNET		1	
2	GBT5789-M8X25-8. 8-A2L	HEX FLANGE BOLTS		4	
3	TS04451013109	PLUG COVER		1	
4	TS04451043223	UPPER LEFT DOOR HINGE ASSY		1	
4.1	TS04451043221	LEFT DOOR HINGE UPTER		1	
4.2	TS04451043111	LEFT DOOR HINGE OUT RUBBER WASHER UPTER		1	
5	TS04451043110	DOOR HINGE IN RUBBER WASHER		4	
6	GBT818-M6X16-4. 8-A2L	CROSS RECESSED PAN HEAD SCREWS		2	
7	GBT97. 1-8-A3L	FLAT WASHERS		2	
8	TS04451013103	LEFT DOOR RAIL WELDMENT		1	
9	GBT6177. 1-M8-8-A2L	HEXAGON FLANGE NUT		3	
10	GBT818-M8X30-4. 8-A2L	CROSS RECESSED PAN HEAD SCREWS		3	
11	GBT5287-8-A2L	BIG WASHER		1	
12	TS04451043224	WIND OUTPUT GATE 1		1	
12.1	TS04451043112	LEFT DOOR HINGE OUT RUBBER WASHER LOWER		1	
12.2	TS04451043222	LEFT DOOR HINGE LOWER		1	
13	TS06451013017	LEFT DOOR LOCK ASSEMBLY		1	
13.1	TS06451013116	LEFT DOOR LOCK BONNET		1	
13.2	GBT956. 1-6	CONICAL LOCK WASHERS		2	

TB3S451010000K CAB ASSEMBLY-5 (cont'd.)

No.	Part No.	Description	Version	QTY.	Remark
13.3	GBT819.1-M6X16-4.8-A2L	CROSS RECESSED COUNTERSUNK HEAD SCREWS		2	
13.4	GBT6170-M6-8-A2L	TYPE 1 HEX NUT		2	
13.5	TS06451013210	LEFT DOOR LOCK BODY		1	
13.6	GBT97.1-6-A3L	FLAT WASHERS		2	
13.7	GBT93-6-A3L	STANDARD SPRING WASHER		2	
13.8	GBT818-M6X30-4.8-A2L	CROSS RECESSED PAN HEAD SCREWS		2	
13.9	GBT96.1-6-A3L	LARGE WASHER		2	
14	TS04451013102	DOOR SEAL STRIP		1	
15	TS04451013001	PAD BOARD		1	
16	TS04451013121	DOOR GLASS RUBBER WASHER		1	
17	TB1S451010038K	LEFT DOOR GLASS		1	
18	GBT5789-M6X35-8.8-A2L	HEX FLANGE BOLTS		3	
19	TD904.451C.2-10	GLASS OUT WASHER		1	
20	TS04451013106	CAST BOLT		1	

LOWLOL
zn D20743

TB3S451010000K CAB ASSEMBLY-6

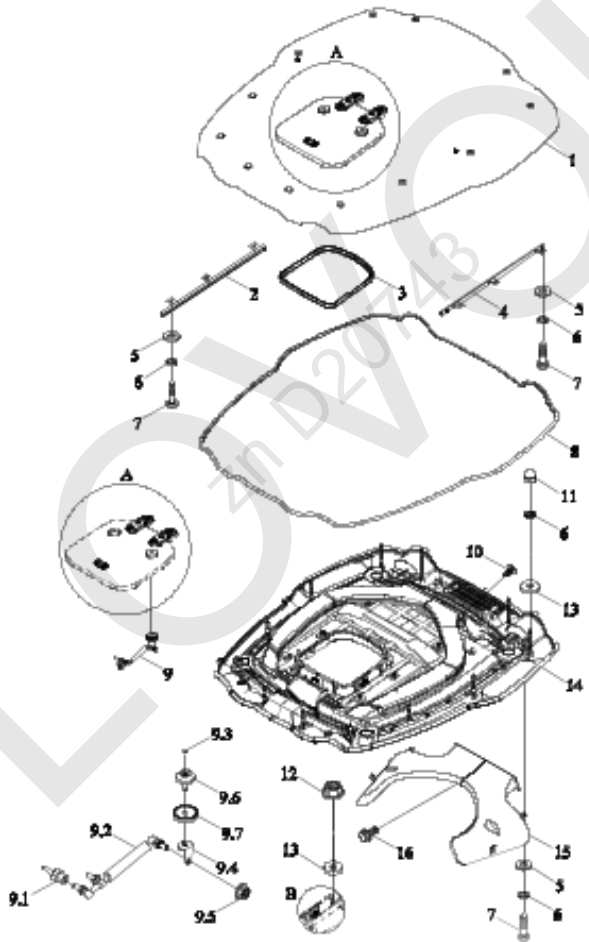


TB3S451010000K CAB ASSEMBLY-6

No.	Part No.	Description	Version	QTY.	Remark
	TB3S451010000K	CAB ASSEMBLY		1	
	TB3S451011000K	CAB ACCESSORY		1	
1	TS04451017000	LEFT LADDER		1	
1.1	GBT16674.1-M10X50-8.8-A3L	HEX FLANGE BOLTS		4	
1.2	GBT6177.1-M10-8-A3L	HEXAGON FLANGE NUT		1	
1.3	TB3S451017206	LADDER		1	
1.3.1	GBT16674.1-M8X16-8.8-A2L	HEX FLANGE BOLTS		8	
1.3.2	TS04451017106	PEDAL WELDMENT		1	
1.3.3	TB3S451017107	HOISTING BOARD		2	
1.3.4	TB3S451017100	LEFT LADDER		1	
2	TS04451017509	RIGHT LADDER		1	
2.1	GBT16674.1-M10X35-8.8-A3L	HEX FLANGE BOLTS		1	
2.2	GBT16674.1-M10X50-8.8-A3L	HEX FLANGE BOLTS		2	
2.3	TS04451017514	RIGHT LADDER		1	
2.3.1	TS04451017107	HOISTING BOARD		2	
2.3.2	TS04451017106	PEDAL WELDMENT		1	
2.3.3	TS04451017512	RIGHT LADDER WELDMENT		1	
2.3.4	GBT16674.1-M8X16-8.8-A2L	HEX FLANGE BOLTS		8	
2.4	GBT16674.1-M10X30-8.8-A3L	HEX FLANGE BOLTS		1	

LOWVOL
zn D20743

TB3S451010000K CAB ASSEMBLY-7



TB3S451010000K CAB ASSEMBLY-7

No.	Part No.	Description	Version	QTY.	Remark
	TB3S451010000K	CAB ASSEMBLY		1	
1	TS04453025100	OUT TOP		1	
2	TS06453015800	RIGHT SLIDEWAY		1	
3	TS04453015400	SUNROOF SEAL		1	
4	TS06453015700	LEFT SLIDEWAY		1	
5	GBT96. 1-6-A3L	LARGE WASHER		24	
6	GBT93-6-A3L	STANDARD SPRING WASHER		12	
7	GBT16674. 1-M6X20-8. 8-A2L	HEX FLANGE BOLTS		26	
8	TS06453015010	SPONGE		4	
9	TS06453015600	PNEUMATIC SPRING INSTALLATION ASSEMBLY		2	
9	TS06453015600	PNEUMATIC SPRING INSTALLATION ASSEMBLY		2	
9.1	TS06453015602	INSTALLATION SEAT 1		1	
9.2	TS06453015601	PNEUMATIC SPRING		1	
9.3	TS04451013109	PLUG COVER		1	
9.4	TS06453015607	MOUNTING BRACKET WELDING		1	
9.5	GBT6177. 1-M8-10-A2L	HEXAGON FLANGE NUT		1	
9.6	TS04451013106	CAST BOLT		1	
9.7	TS06453015605	FIXING SLEEVE OUT MAT		1	
10	Q69208	PLASTIC SPLIT PIN		2	
11	GBT923-M6-A1-50	HEX CAP NUT		12	
12	GBT6177. 1-M6-8-A2L	HEXAGON FLANGE NUT		6	
13	TS06453015001	SEAL		18	
14	TS04453015202b	INNER TOP		1	

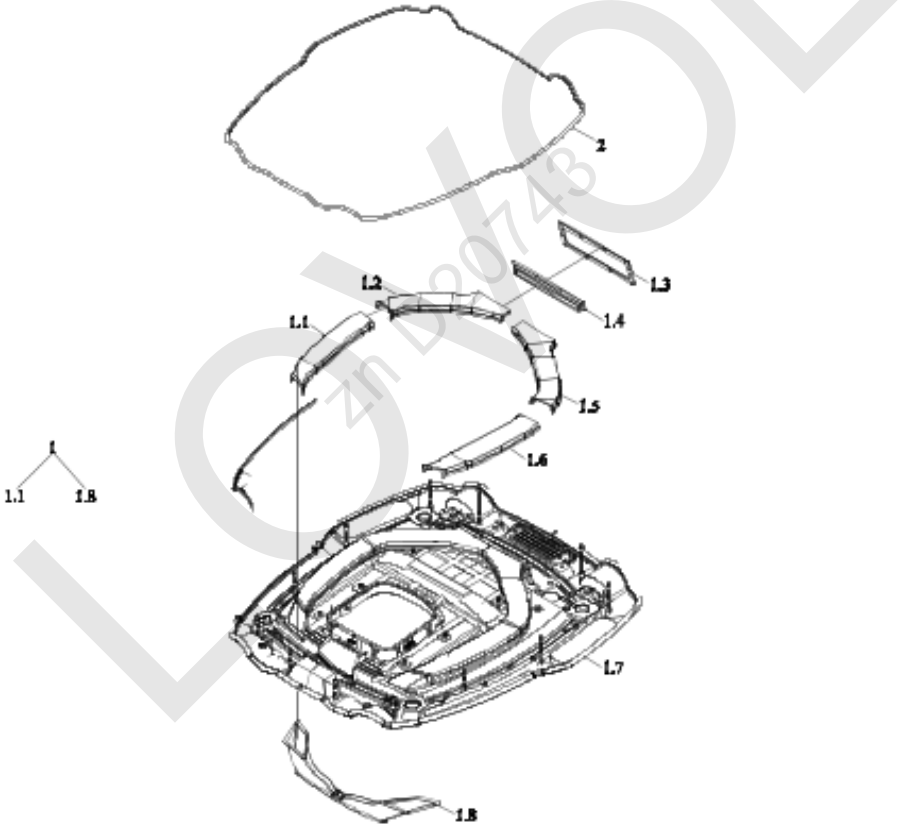
TB3S451010000K CAB ASSEMBLY-7 (cont'd.)

No.	Part No.	Description	Version	QTY.	Remark
15	TS04453015320a	LOWER WIND WAY		1	
16	GBT16674. 1-M6X12-8. 8-A2L	HEX FLANGE BOLTS		4	

LOWELOW
zn D20743

LOWLOL
zn D20743

TB3S451010000K CAB ASSEMBLY-8

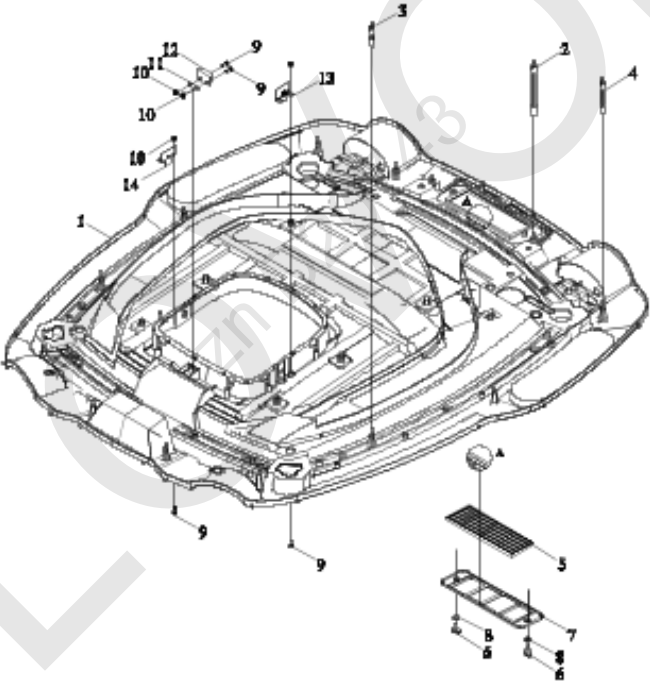


TB3S451010000K CAB ASSEMBLY-8

No.	Part No.	Description	Version	QTY.	Remark
	TB3S451010000K (8)	CAB ASSEMBLY		1	
	TS04453015000K	TOP COVER ASSEMBLY		1	
	TS04453015202b	INNER TOP		1	
1	TS04453015200b	INNER TOP AIR CONDITION		1	
1.1	TS04453015314	DEFROST WIND PIPE RIGHT FRONT		1	
1.2	TS04453015315	DEFROST WIND PIPE RIGHT BACK		1	
1.3	TS06453015330	WIND WAY CONNECTING PLATE WELDMENT		1	
1.4	TS04453015316a	DEFROST WIND WAY IN MOUTH		1	
1.5	TS04453015313	DEFROST WIND PIPE LEFT BACK		1	
1.6	TS04453015312	DEFROST WIND PIPE LEFT FRONT		1	
1.7	TS04453015201a	INNER TOP AIR CONDITION		1	
1.8	TS04453015311	DEFROST WIND WAY LOW		1	
2	TS04453015501	TOP SEAL STRIP		1	

LOWLOL
zn D20743

TB3S451010000K CAB ASSEMBLY-9

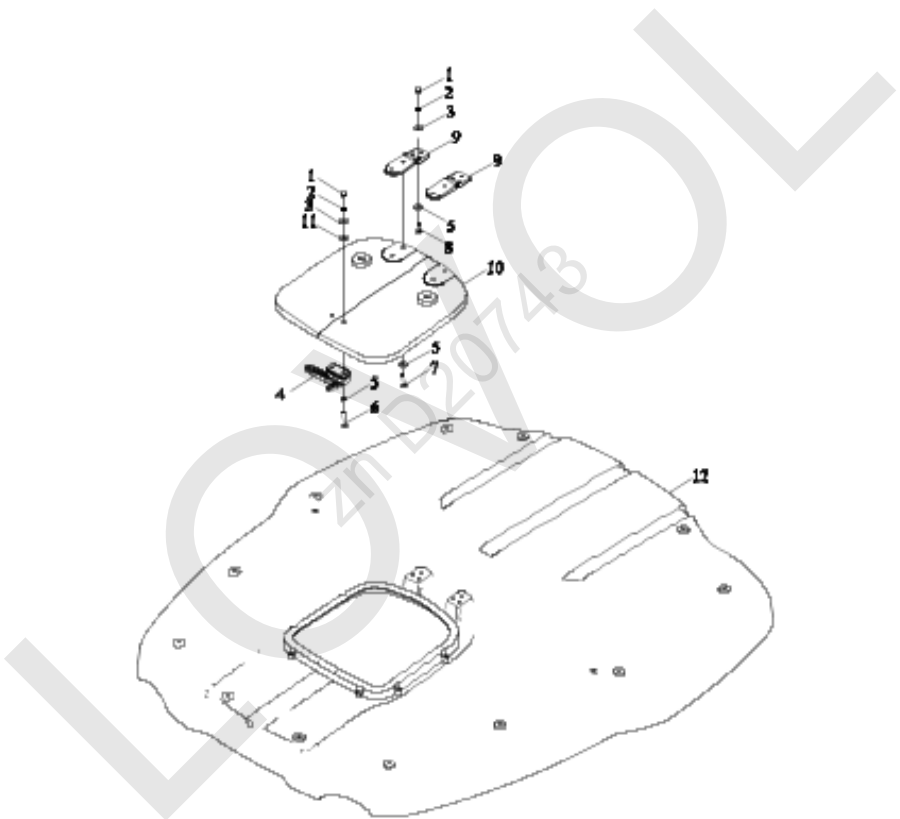


TB3S451010000K CAB ASSEMBLY-9

No.	Part No.	Description	Version	QTY.	Remark
	TB3S451010000K (9)	CAB ASSEMBLY		1	
	TS04453015202b	INNER TOP		1	
	TS04453015201a	INNER TOP AIR CONDITION		1	
1	TS04453015209a	INNER TOP		1	
2	TS06453015205	CONNECTING BOLT		2	
3	TS06453015203	CONNECTING BOLT		6	
4	TS06453015204	CONNECTING BOLT		4	
5	TS06453015207a	FILTER ELEMENT		1	
6	TS06453015105	PLUG		2	
7	TS06453015206a	WIND MOUTH		1	
8	TS06453015001	SEAL		2	
9	GBT818-M6X16-4. 8-A2L	CROSS RECESSED PAN HEAD SCREWS		6	
10	GBT6177. 1-M6-8-A2L	HEXAGON FLANGE NUT		6	
11	TS06453015212	RIGHT PNEUMATIC SPRING FIXING SEAT		1	
12	TS06453015210	LOCKING SEAT		1	
13	TS06453015211	LEFT PNEUMATIC SPRING FIXING SEAT		1	
14	TS06453015213	INSTALLATION PLATE		1	

LOWLOL
zn D20743

TB3S451010000K CAB ASSEMBLY-10

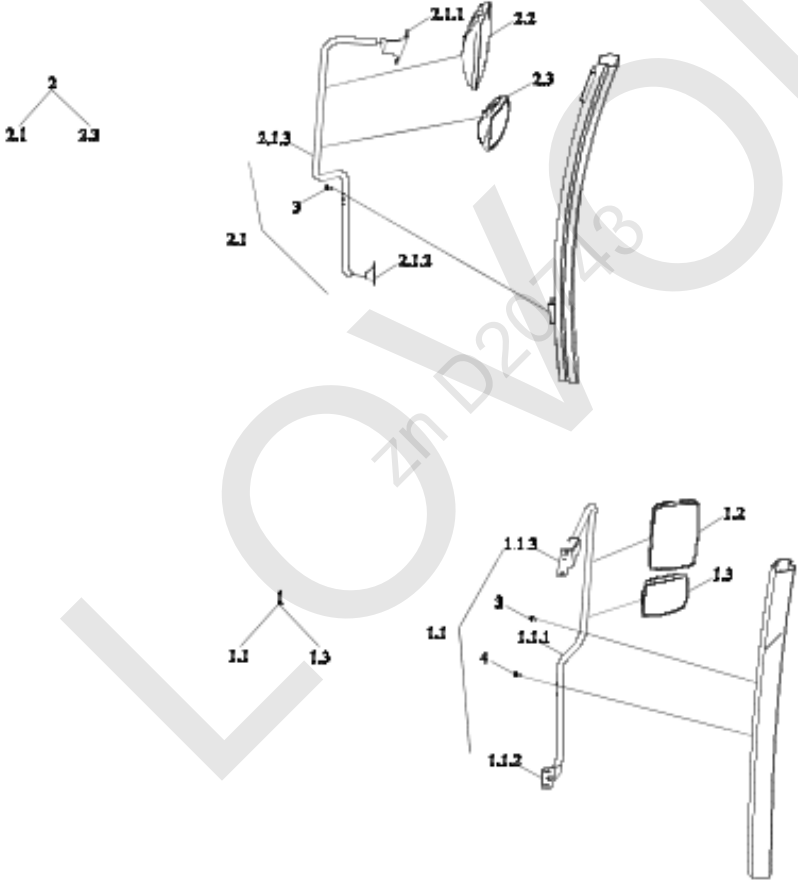


TB3S451010000K CAB ASSEMBLY-10

No.	Part No.	Description	Version	QTY.	Remark
	TB3S451010000K (10)	CAB ASSEMBLY		1	
	TS04453015000K	TOP COVER ASSEMBLY		1	
	TS04453025100	OUT TOP		1	
1	GBT923-M6-A1-50	HEX CAP NUT		12	
2	GBT93-6-A3L	STANDARD SPRING WASHER		12	
3	GBT96. 1-6-A3L	LARGE WASHER		12	
4	TS04453015102	TOP WINDOW HANDLE		1	
5	GBT97. 1-6-A3L	FLAT WASHERS		12	
6	GBT818-M6X40-4. 8-A1L	CROSS RECESSED PAN HEAD SCREWS		2	
7	GBT818-M6X30-4. 8-A2L	CROSS RECESSED PAN HEAD SCREWS		4	
8	GBT818-M6X20-4. 8-A2L	CROSS RECESSED PAN HEAD SCREWS		6	
9	TS04453015103	OPEN HINGE		1	
10	TS04453025101	TOP WINDOW		1	
11	TS06453015001	SEAL		12	
12	TS04453015104	OUT TOP		1	

LOWVOL
zn D20743

TB3S451010000K CAB ASSEMBLY-11



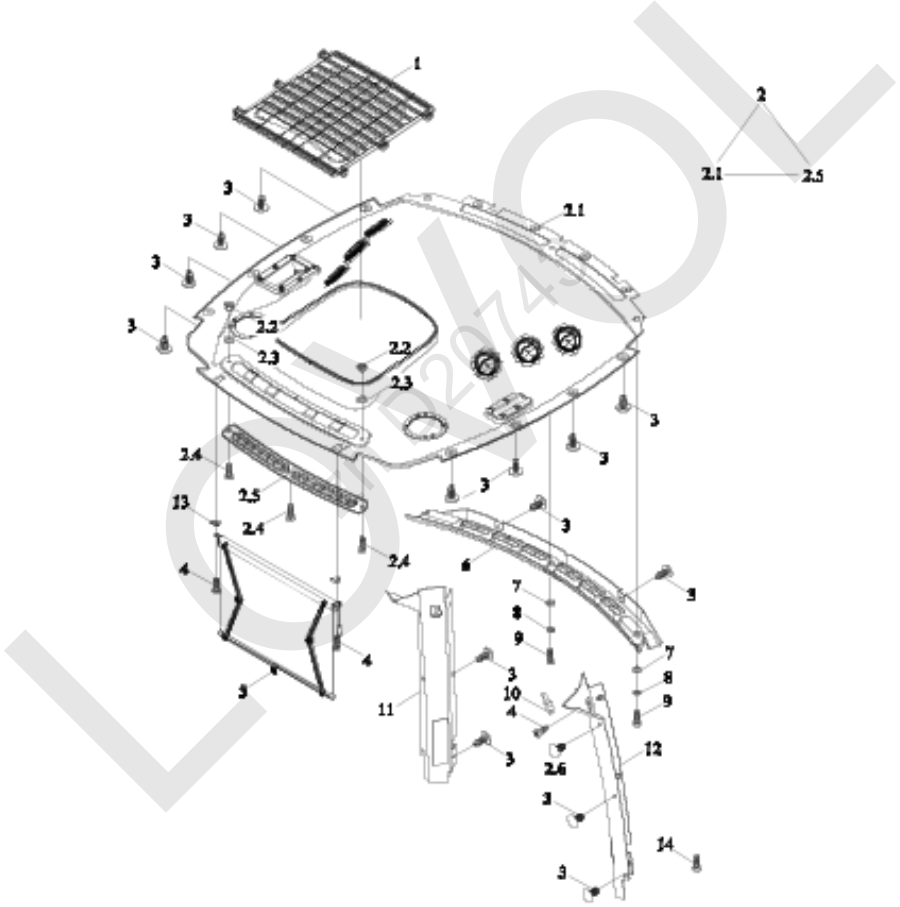
TB3S451010000K CAB ASSEMBLY-11

No.	Part No.	Description	Version	QTY.	Remark
	TB3S451010000K (11)	CAB ASSEMBLY		1	
	TB3S451013000K	REAR MIRROR ASSEMBLY		1	
1	TP4P451013009K	RIGHT REARVIEW MIRROR ASSEMBLY		1	
1.1	TP4P451013010K	RIGHT REAR VIEW MIRROR BRACKET		1	
1.1.1	TP4P451013011K	SYPHON		1	
1.1.2	TP4P451013012K	INSTALLATION SEAT		1	
1.1.3	TP4P451013113K	MOUNTING BRACKET		1	
1.2	TP4P451013007K	REARVIEW MIRROR		1	
1.3	TP4P451013008K	REARVIEW MIRROR		1	
2	TP4P451013001K	REARVIEW MIRROR ASSEMBLY (LH)		1	
2.1	TP4P451013002K	LEFT REAR VIEW MIRROR BRACKET		1	
2.1.1	TP4P451013006K	INSTALLATION SEAT		1	
2.1.2	TP4P451013005K	SYPHON		1	
2.1.3	TP4P451013114K	MOUNTING BRACKET		1	
2.2	TP4P451013008K	REARVIEW MIRROR		1	
2.3	TP4P451013007K	REARVIEW MIRROR		1	
3	GBT16674. 1-M8X16-8. 8-A2L	HEX FLANGE BOLTS		4	
4	GBT16674. 1-M8X20-8. 8-A2L	HEX FLANGE BOLTS		4	

LOWVOL
zn D20743

LOWVOL
zn D20743

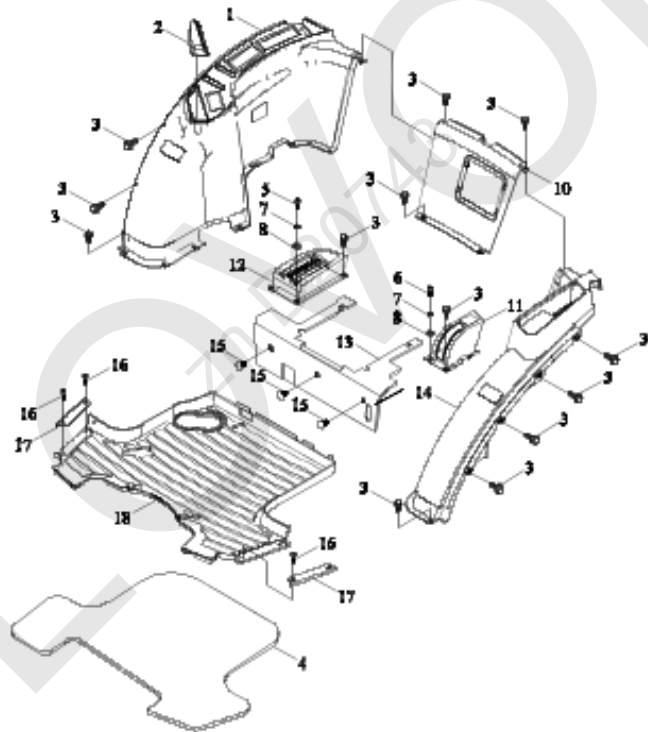
TB3S453040000K INTERIOR ASSEMBLY-1



TB3S453040000K INTERIOR ASSEMBLY-1

No.	Part No.	Description	Version	QTY.	Remark
	TB3S453040000K	UPHOLSTERY ASSEMBLY	003	1	
1	TS04453017001	GUIDE RAIL		1	
2	TS04453011000	TOP UPHOLSTERY		1	
2.1	TS04453011001	TOP UPHOLSTERY		1	
2.2	GBT6170-M5-8-A2L	TYPE 1 HEX NUT		2	
2.3	GBT96. 1-5-A3L	LARGE WASHER		2	
2.4	GBT818-M5X16-4. 8-A2L	CROSS RECESSED PAN HEAD SCREWS		2	
2.5	TS04453011002	DEFROST WIND MOUTH		1	
2.6	GBT818-M6X16-4. 8-0	CROSS RECESSED PAN HEAD SCREWS		1	
3	Q69208	PLASTIC SPLIT PIN		33	
4	GBT818-M6X25-4. 8-A2L	CROSS RECESSED PAN HEAD SCREWS		1	
5	TB1S453030005	SHADOW CURTAIN		1	
6	TS04453016000	WIND MOUTH		1	
7	GBT97. 1-6-A3L	FLAT WASHERS		2	
8	GBT93-6-A3L	STANDARD SPRING WASHER		2	
9	GBT818-M6X20-4. 8-A2L	CROSS RECESSED PAN HEAD SCREWS		3	
10	BZF0045-001	COAT HOOK		2	
11	TS04453013400a	LEFT HOUSING		1	
12	TY3S453010003K	RIGHT HOUSING		1	
13	TB1S453030006	INSTALLATION PLATE		2	
14	GBT70. 1-M6X16-8. 8-A2L	HEXAGON SOCKET HEAD CAP SCREW		6	

TB3S453040000K INTERIOR ASSEMBLY-2



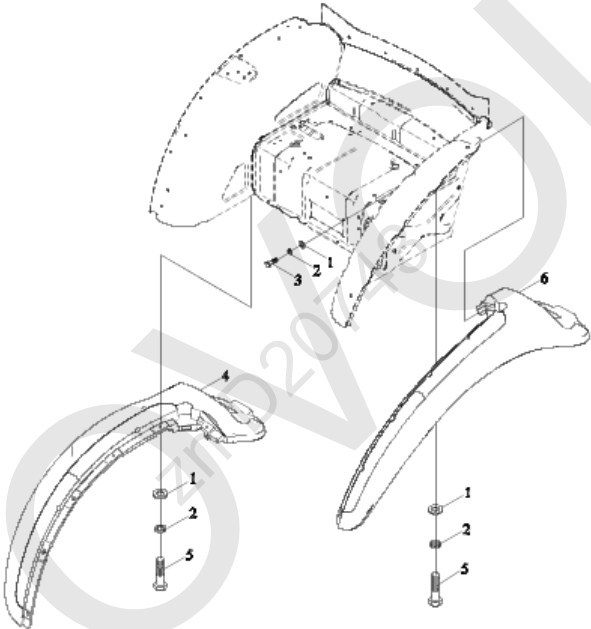
TB3S453040000K INTERIOR ASSEMBLY-2

No.	Part No.	Description	Version	QTY.	Remark
	TB3S453040000K	UPHOLSTERY ASSEMBLY		1	
1	TB3S453010002K	RIGHT REAR MUD GUARD DECORATION PART		1	
2	TS04453013600	WATCH BONNET		1	
3	GBT5789-M6X20-8.8-A2L	HEX FLANGE BOLTS		28	
4	TS04453012200	FLOOR MAT PEDAL		1	
5	GBT819.2-M6X25-8.8-A2L	CROSS RECESSED COUNTERSUNK HEAD SCREWS		4	
6	GBT818-M6X35-4.8-A2L	CROSS RECESSED PAN HEAD SCREWS		1	
7	GBT93-6-A3L	STANDARD SPRING WASHER		2	
8	GBT96.1-6-A3L	LARGE WASHER		2	
10	TS04453013301	UPHOLSTERY		1	
11	TS04453013700	PARKING BRAKE BONNET		1	
12	TS04453013800	AUXILIARY CLUTCH BONNET		1	
13	TS04453012100	MIDDLE FLOOR MAT		1	
14	TB1S453030001K	LEFT REAR MUD GUARD DECORATION PART		1	
15	Q69208	PLASTIC SPLIT PIN		33	
16	GBT819.1-M6X16-4.8-A2L	CROSS RECESSED COUNTERSUNK HEAD SCREWS		4	
17	TB1S453044000K	FLOOR MAT PRESSURE PLATE		2	
18	TB3S453010001K	FLOOR MAT		1	

LOWLOL
zn D20743

TS04455040000 TRIM ASSEMBLY (REAR FENDER)

LOWVOL
zn D20743

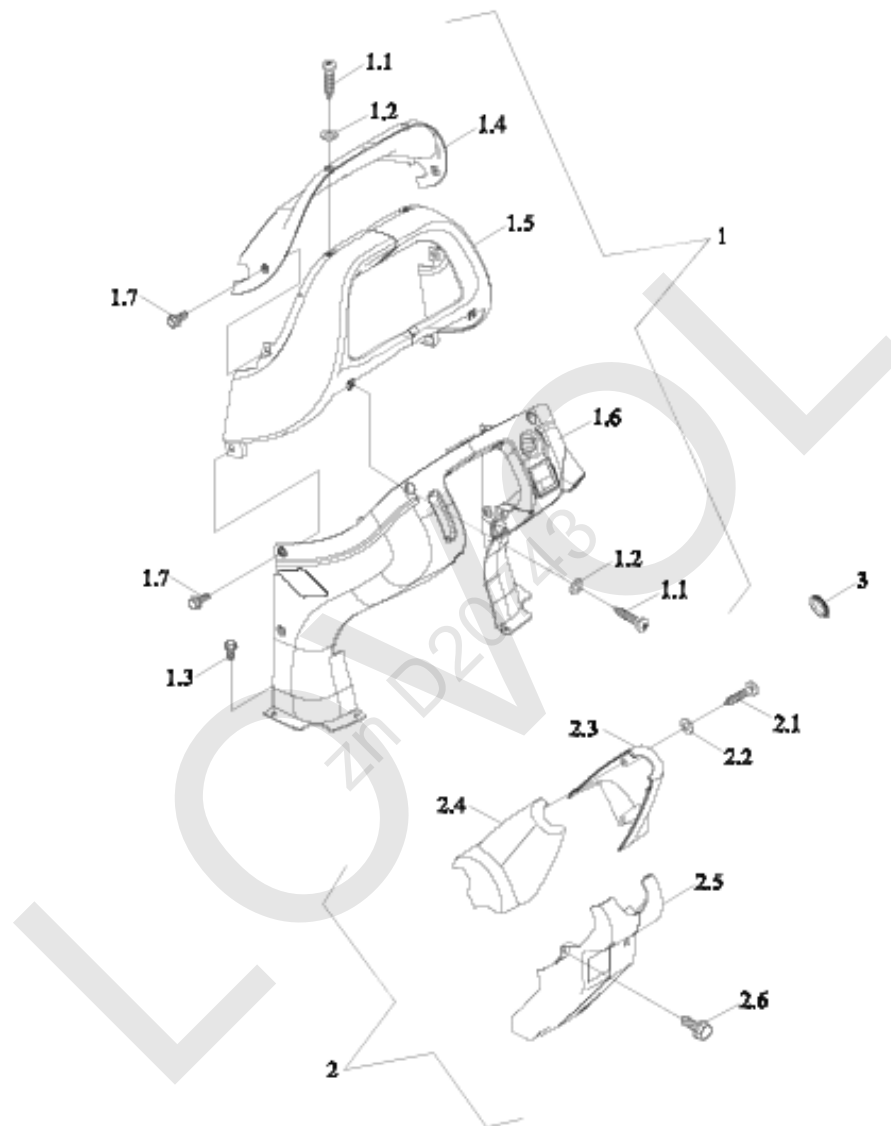


TS04455040000 TRIM ASSEMBLY (REAR FENDER)

No.	Part No.	Description	Version	QTY.	Remark
	TS04455040000	BACK REAR MUD GUARD DECORATION PART		1	
1	GBT96. 1-6	LARGE WASHER		14	
2	GBT93-6-0	STANDARD SPRING WASHER		14	
3	GBT5783-M6X16-8. 8-A2L	HEX HEAD BOLTS		2	
4	TS04455042000	RIGHT REAR MUD GUARD DECORATION PART		1	
5	GBT5783-M6X35-8. 8-A2L	HEX HEAD BOLTS		12	
6	TS04455041000	LEFT REAR MUD GUARD DECORATION PART		1	

TB3S456020000K COWL

LOWVOLT
zn D20743

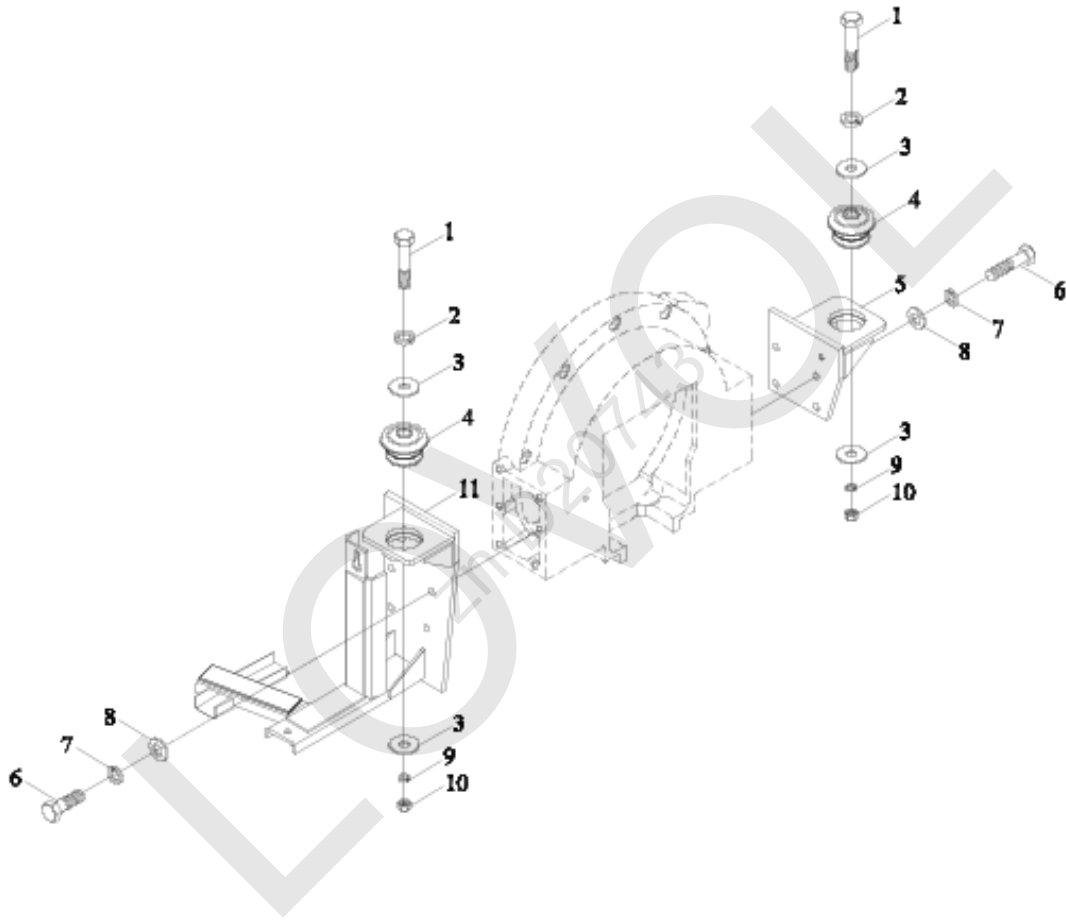


TB3S456020000K COWL

No.	Part No.	Description	Version	QTY.	Remark
	TB3S456020000K	DASHBOARD ASSEMBLY	002	1	
1	TS04456040001	DASHBOARD BOX		1	
1.1	GBT845-ST4. 8X16-0	CROSS RECESSED PAN HEAD TAPPING SCREWS		4	
1.2	GBT97. 1-6-0	FLAT WASHERS		4	
1.3	GBT16674. 1-M6X20-8. 8-A2L	HEX FLANGE BOLTS		4	
1.4	TS04456010002	UPPER COVER		1	
1.5	TS04456010003	DASHBOARD MIDDLE COVER		1	
1.6	TS04456020004	LOWER COVER		1	
1.7	GBT5789-M6X16-8. 8-A2L	HEX FLANGE BOLTS		4	
2	TS04456010005	STEERING GEAR HOUSING		1	
2.1	GBT845-ST4. 8X16-0	CROSS RECESSED PAN HEAD TAPPING SCREWS		2	
2.2	GBT97. 1-6-0	FLAT WASHERS		2	
2.3	TS06456010008	STEERING GEAR RIGHT COVER PLATE		1	
2.4	TS06456010007	STEERING GEAR LEFT COVER PLATE		1	
2.5	TS04456010006	STEERING GEAR LOW COVER PLATE		1	
2.6	GBT16674. 1-M6X20-8. 8-0	HEX FLANGE BOLTS		4	
3	TB600. 45L-03	PLUG COVER		1	

TS04457010000 FRONT CONNECTING ASSEMBLY

LOWVOL
zn D20743

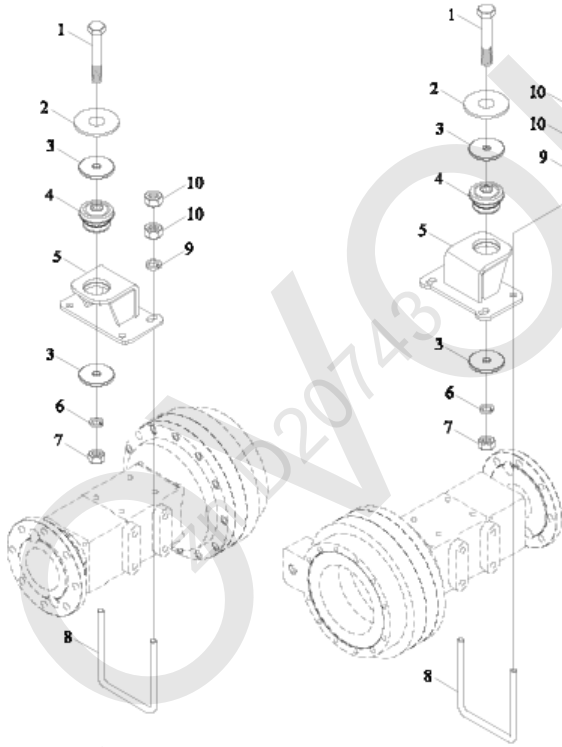


TS04457010000 FRONT CONNECTING ASSEMBLY

No.	Part No.	Description	Version	QTY.	Remark
	TS04457010000	FRONT CONNECTING ASSEMBLY		1	
1	GBT5783-M16X80-10.9-A3L	HEX HEAD BOLTS		2	
2	GBT96.1-16-A0P	LARGE WASHER		2	
3	TB400.457B-02	RETAINING RING		4	
4	TB400.457B-01	CAB DOWEL		2	
5	TS04457010004	RIGHT FRONT CONNECTION WELDMENT		1	
6	GBT5783-M12X35-10.9-A3L	HEX HEAD BOLTS		10	
7	GBT93-12-A0P	STANDARD SPRING WASHER		10	
8	GBT97.1-12-A0P	FLAT WASHERS		10	
9	GBT93-16-A0P	STANDARD SPRING WASHER		2	
10	GBT6170-M16-10-A3L	TYPE 1 HEX NUT		2	
11	TS04457010001	LEFT FRONT CONNECTION WELDMENT		1	

TS04458010000 REAR CONNECTION ASSEMBLY

LOWVOL
zn D20743

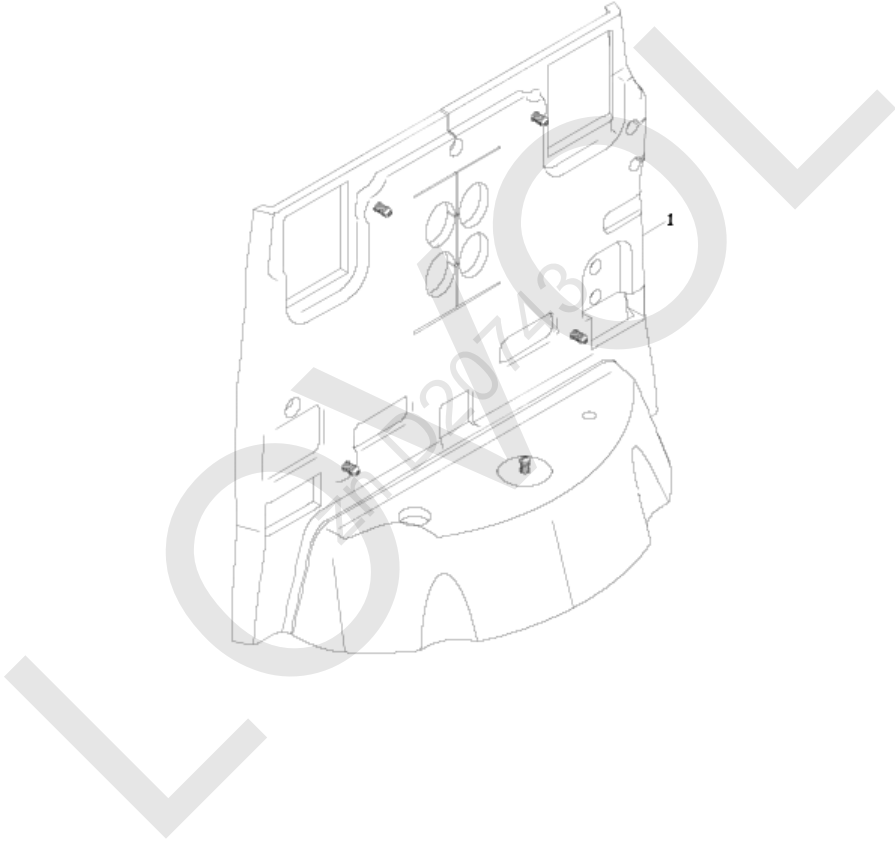


TS04458010000 REAR CONNECTION ASSEMBLY

No.	Part No.	Description	Version	QTY.	Remark
	TS04458010000	REAR CONNECTING ASSEMBLY		1	
1	GBT5783-M16X90-10.9-A2L	HEX HEAD BOLTS		2	
2	GBT96.1-16-A0P	LARGE WASHER		2	
3	TB400.457B-02	RETAINING RING		4	
4	TB400.457B-01	CAB DOWEL		2	
5	TS04458010001	REAR CONNECTING WELDMENT		2	
6	GBT93-16-A0P	STANDARD SPRING WASHER		2	
7	GBT6170-M16-10-A3L	TYPE 1 HEX NUT		2	
8	FT400.46.350	U-BOLT		4	
9	GBT97.1-14-A0P	FLAT WASHERS		8	
10	GBT6170-M14-8-A3L	TYPE 1 HEX NUT		16	

TS04459010000 INSULATION LAYER

LOWVOL
zn D20743



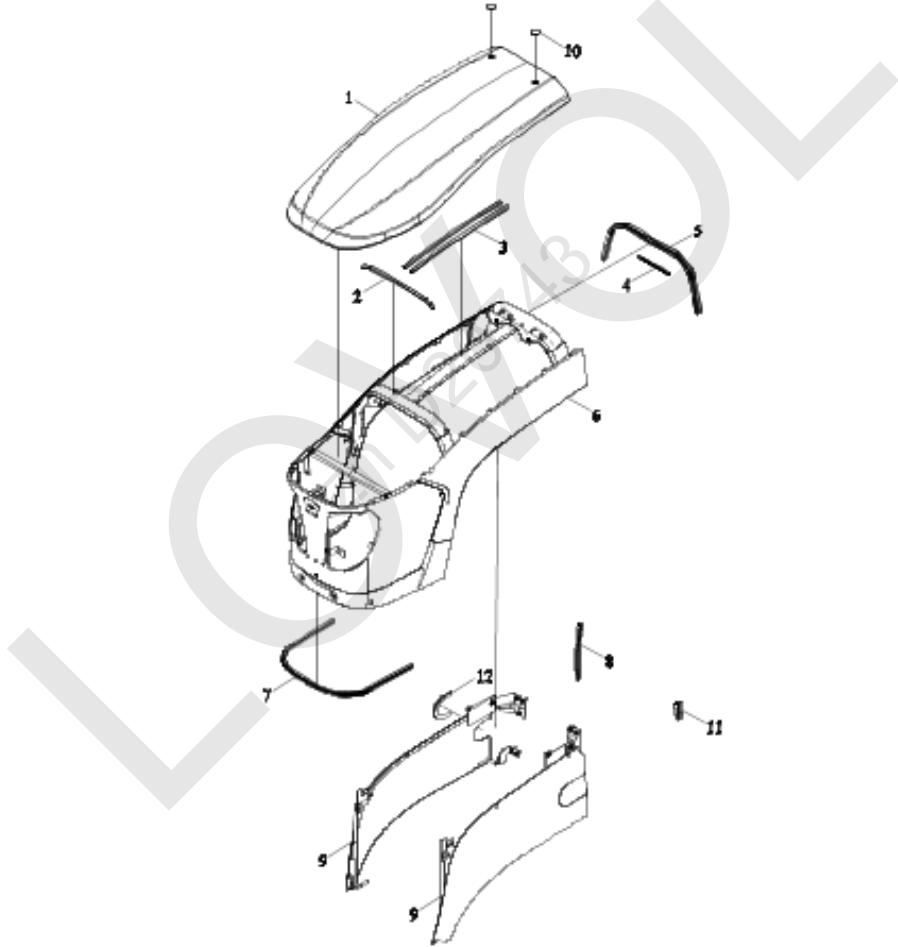
TS04459010000 INSULATION LAYER

No.	Part No.	Description	Version	QTY.	Remark
1	TS04459010000	INSULATION LAYER		1	
	TS04459010001	INSULATION LAYER		1	

LOWELOW
zn D20743

LOWVOL
zn D20743

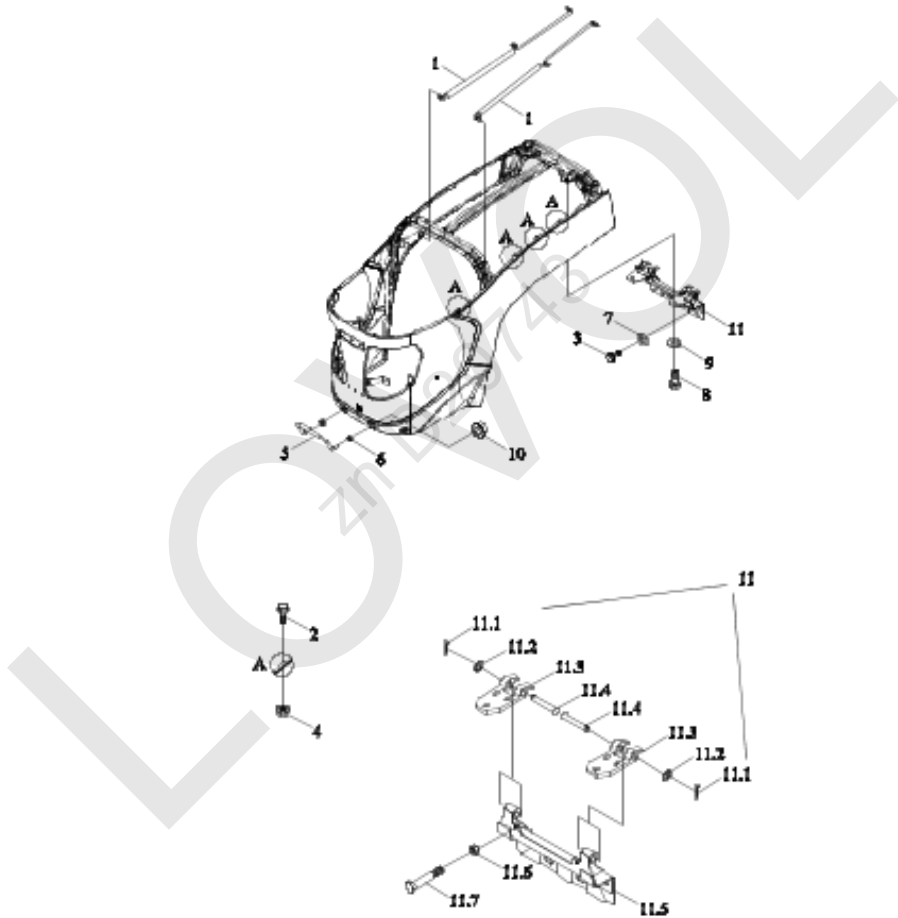
TB3S471040000K HOOD ASSEMBLY-1



TB3S471040000K HOOD ASSEMBLY-1

No.	Part No.	Description	Version	QTY.	Remark
	TB3S471040000K	HOOD ASSEMBLY	001	1	
1	TS04471012001	BONNET UP COVER PLATE		1	
2	TS04471010007	FRONT SHOCK WASHER		1	
3	TS04471010004	MIDDLE SHOCK WASHER		2	
4	TS04471010008	BACK SHOCK RUBBER STRIP		1	
5	TS04471010001	BONNET REAR SEAL STRIP		1	
6	TB1S471020001K	BONNET WELDMENT ASSEMBLY		1	
7	TB1S471010006K	FRONT LOWER CUSHION RUBBER PIECE		1	
8	TS04471010009	SEAL STRIP		1	
9	TB3S471010001K	LOWER SIDE PLATE		1	
10	TS06471010005	PLUG		2	
11	TS04471010006K	LEFT BACK SEAL STRIP		1	
12	TB3S471010004K	Cover right side plate sealing strip		1	

TB3S471040000K HOOD ASSEMBLY-2

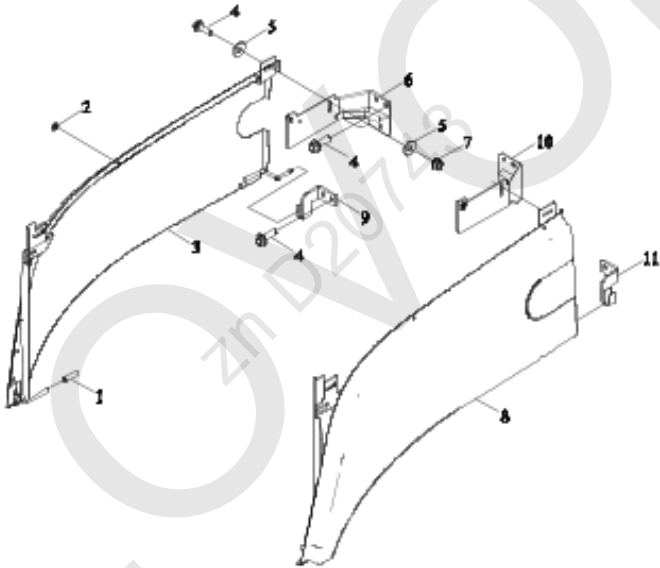


TB3S471040000K HOOD ASSEMBLY-2

No.	Part No.	Description	Version	QTY.	Remark
	TB3S471040000K	HOOD ASSEMBLY		1	
1	TD800.471-01	BONNET PNEUMATIC SPRING		2	
2	GBT5789-M6X12-8.8-A2L	HEX FLANGE BOLTS		18	
3	GBT5789-M12X35-8.8-A3L	HEX FLANGE BOLTS		3	
4	GBT6177.1-M6-8-A2L	HEXAGON FLANGE NUT		18	
5	TS04471010003	HANDLE		1	
6	TD800.471A-05	WASHER		2	
7	GBT96.1-12-A3L	LARGE WASHER		3	
8	GBT5789-M10X30-8.8-A3L	HEX FLANGE BOLTS		6	
9	GBT96.1-10-A3L	LARGE WASHER		6	
10	GBT6177.1-M12-8-A3L	HEXAGON FLANGE NUT		2	
11	TS04471013000	BONNET HINGE ASSEMBLY		1	
11.1	GBT91-4X32-A0P	COTTER PIN		2	
11.2	GBT97.1-16-A0P	FLAT WASHERS		2	
11.3	FT800B.47B.161	HINGE UPPER SEAT		2	
11.4	GBT882-B16X90-A0P	PIN		2	
11.5	TS04471013001	BONNET LOW BRACKET WELDMENT		1	
11.6	GBT6170-M8-8-A2L	TYPE 1 HEX NUT		2	
11.7	GBT5783-M8X50-8.8-A2L	HEX HEAD BOLTS		2	

LOWVOL
zn D20743

TB3S471040000K HOOD ASSEMBLY-3



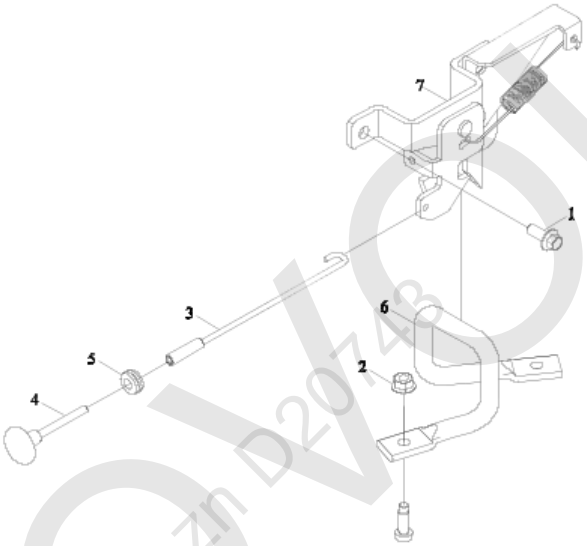
TB3S47104000K HOOD ASSEMBLY-3

No.	Part No.	Description	Version	QTY.	Remark
	TB3S47104000K	HOOD ASSEMBLY		1	
	TB3S471010001K	LOWER SIDE PLATE		1	
1	TS06471014002	RUBBER SLEEVE		4	
2	TS06471014003	PROCESS PLUG COVER		4	
3	TB3S471010002K	SIDE PLATE RIGHT LOWER		1	
4	GBT16674. 1-M8X25-8. 8-A2L	HEX FLANGE BOLTS		12	
5	GBT96. 1-8-A3L	LARGE WASHER		4	
6	TS04471024003K	FIXING SEAT WELDMENT RIGHT BACK UP		1	
7	GBT6177. 1-M8-8-A2L	HEXAGON FLANGE NUT		2	
8	TB3S471010005K	SIDE PLATE LEFT LOWER		1	
9	TS04471014004	FIXING SEAT WELDMENT RIGHT BACK LOWER		1	
10	TS04471024001K	FIXING SEAT WELDMENT LEFT BACK UP		1	
11	TS04471014002	FIXING SEAT WELDMENT LEFT BACK LOWER		1	

LOWVOL
zn D20743

TB1S473010000K LOCKING ASSEMBLY (HOOD)

LOWVOL
zn D20743

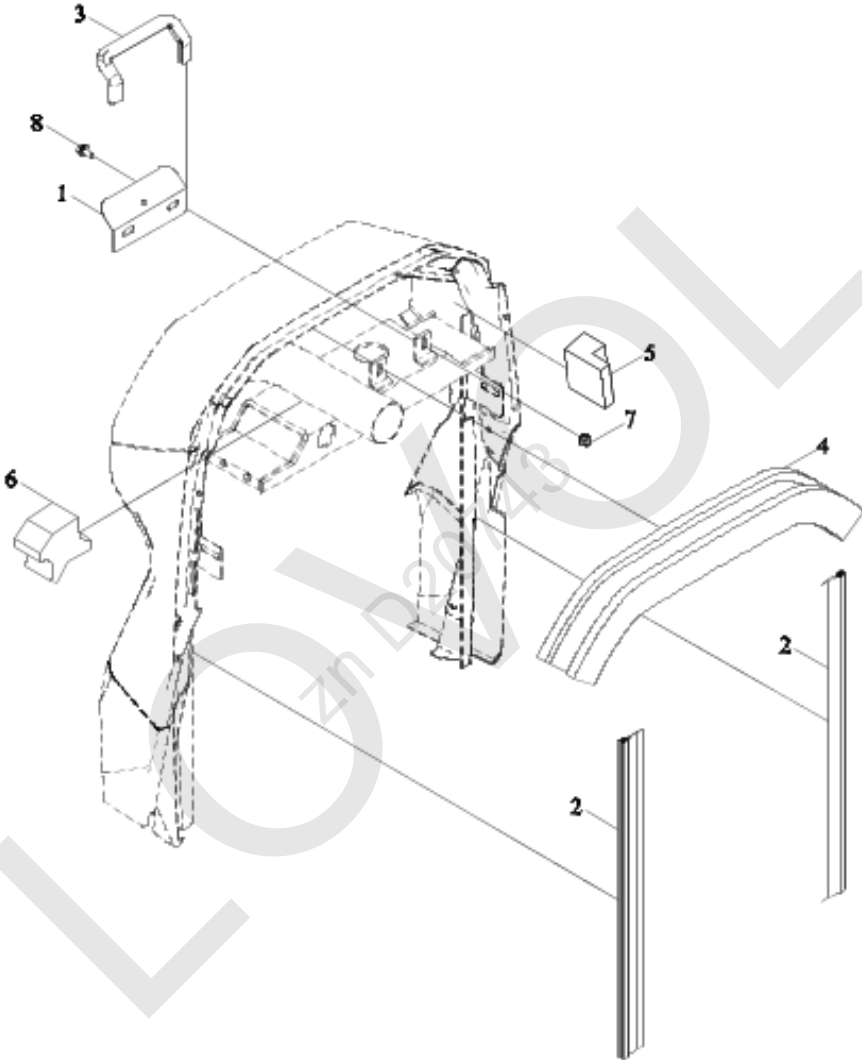


TB1S473010000K LOCKING ASSEMBLY (HOOD)

No.	Part No.	Description	Version	QTY.	Remark
	TB1S473010000K	BONNET LOCKING DEVICE ASSEMBLY		1	
1	GBT16674. 1-M8X20-8. 8-A2L	HEXAGON FLANGE NUT		3	
2	GBT6177. 1-M8-8-A2L	HEXAGON FLANGE NUT		2	
3	TB1S473010001K	PULL ROD WELDMENT		1	
4	TB1S473010002K	PULL ROD		1	
5	TB450. 473-02	RUBBER RING		1	
6	TS04473010015	LOCK BARREL		1	
7	TS06473010002	BONNET LOCK		1	

TB3S475020000K HOOD SEAL ASSEMBLY

LOWE
zn D20743

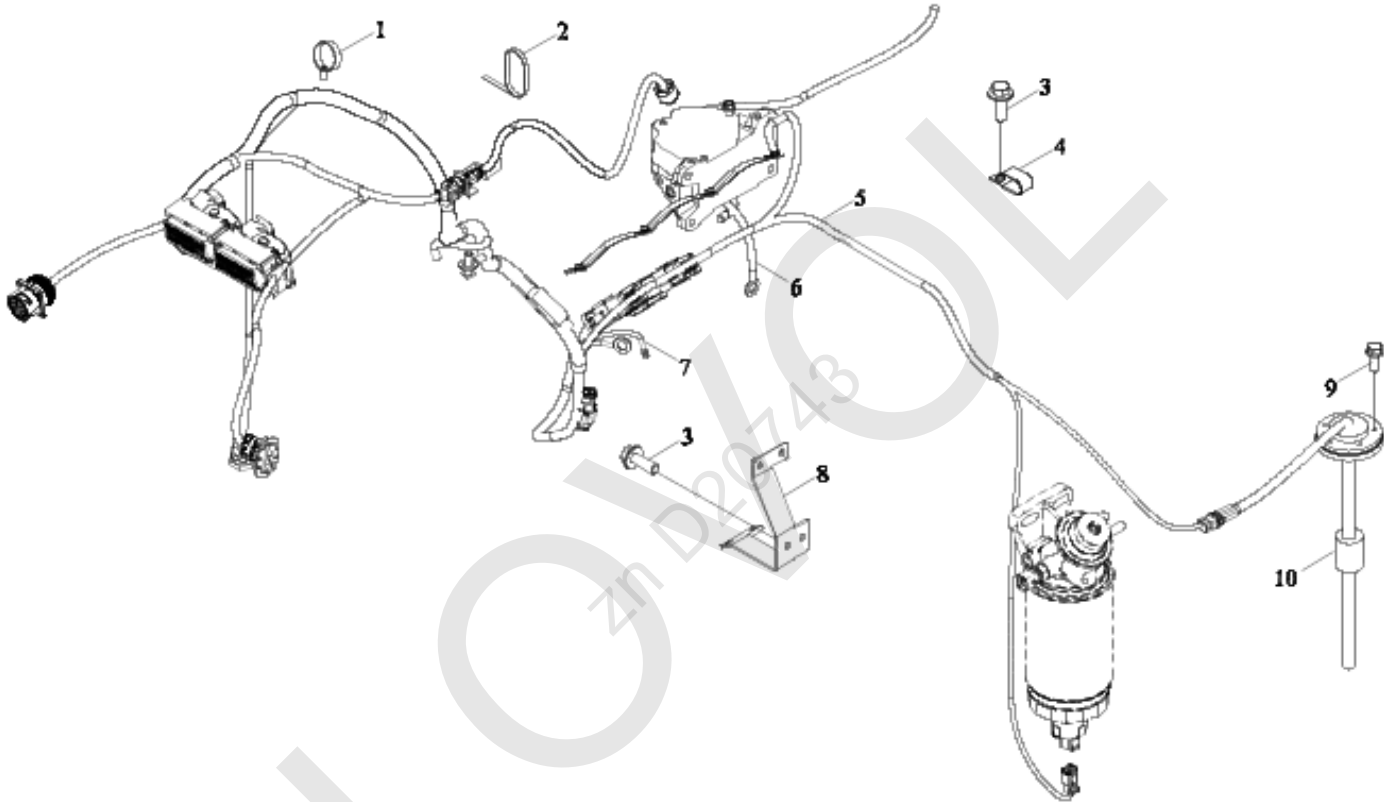


TB3S475020000K HOOD SEAL ASSEMBLY

No.	Part No.	Description	Version	QTY.	Remark
	TB3S475020000K	BONNET SEAL INSTALLATION ASSEMBLY	002	1	
1	TB3S475020001K	SEAL SPACER PLATE		1	
2	TS04475010005K	SEAL STRIP		2	
3	TB3S475020002K	SEAL STRIP		1	
4	TS04475030002	UP SEAL COTTON		1	
5	TS04475030001	SEAL COTTON		2	
6	TB3S475020003K	Sealing cotton on the left side of cover		1	
7	GBT6177. 1-M8-8-A2L	HEXAGON FLANGE NUT		2	
8	GBT16674. 1-M8X16-8. 8-A2L	HEX FLANGE BOLTS		2	

TB3S481010000K WIRING HARNESS

LOWELOW
zn D20743

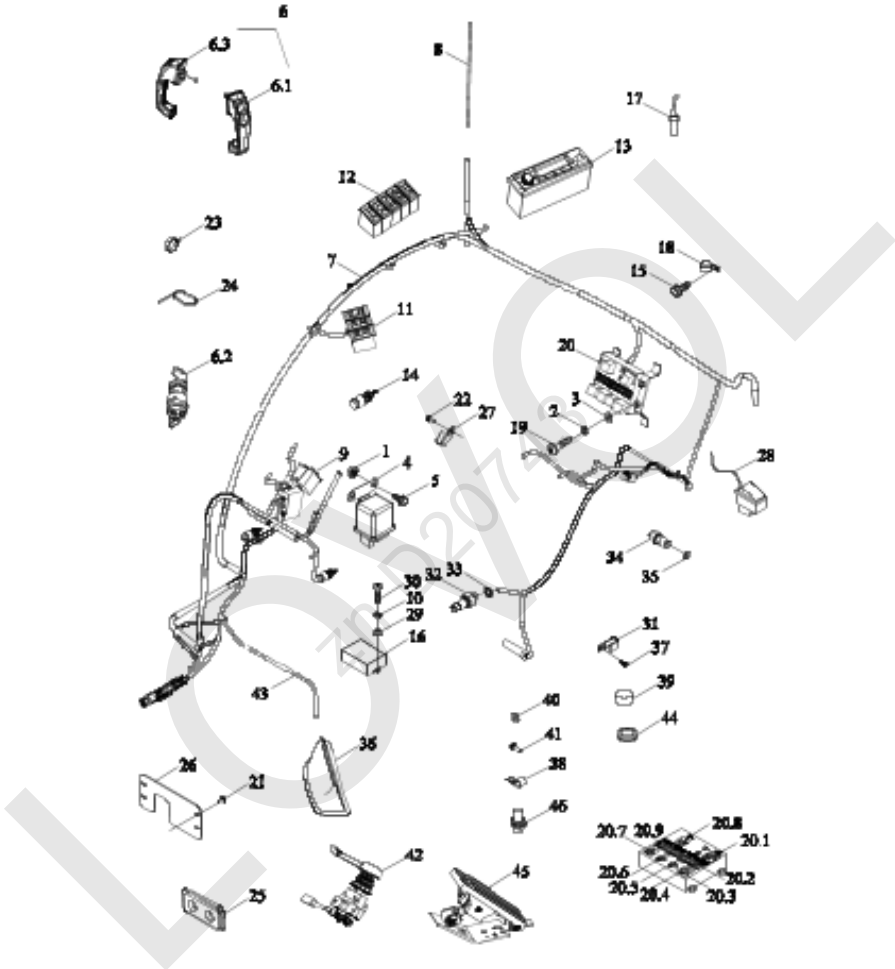


TB3S481010000K WIRING HARNESS

No.	Part No.	Description	Version	QTY.	Remark
	TB3S481010000K	ENGINE HARNESS INSTALLATION ASSEMBLY	004	1	
1	3203505D9-L	CABLE TIE		11	
2	Q67405200	PLASTIC FASTENING STRIP		9	
3	GBT16674. 1-M6X16-8. 8-A2L	HEX FLANGE BOLTS		4	
4	FT304. 48L. 203	HARNESS TIGHTEN CLIP		4	
5	TB3S481010001K	ENGINE HARNESS ASSEMBLY		1	
6	TS04481010003	GROUNDING WIRE		1	
7	TB3S481010008K	TRANSITION WIRE HARNESS		1	
8	TB3S481010004K	Wire harness fixing bracket 1		1	
9	TS04481050005	SCREW M4X12		5	
10	TB3S481010004	OIL QUANTITY SENSOR ASSEMBLY		1	

TB3S482020000K WIRING HARNESS

LOWEOL
zn D20743



TB3S482020000K WIRING HARNESS

No.	Part No.	Description	Version	QTY.	Remark
	TB3S482020000K	BODY HARNESS INSTALLATION ASSEMBLY	005	1	
1	GBT6177. 1-M6-8-A2L	HEXAGON FLANGE NUT		2	
2	GBT93-6-A3L	STANDARD SPRING WASHER		4	
3	GBT97. 1-6-A3L	FLAT WASHERS		4	
4	FT300. 48. 055	STARTING RELAY		1	
5	GBT16674. 1-M6X16-8. 8-A2L	HEX FLANGE BOLTS		2	
6	TC03481040013	TWO-LOCK		1	
6. 1	TS04451014240	RIGHT DOOR OUT HANDLE		1	
6. 2	TB550. 482. 3	IGNITION LOCK		1	
6. 3	TS04451013240	LEFT DOOR OUT HANDLE		1	
7	TB3S482020001K	BODY HARNESS ASSEMBLY		2	
8	TS04482010002	ANTENNA		1	
9	TS04482150002	TWO GANG PADDLE SWITCH		1	
10	GBT93-5-A3L	STANDARD SPRING WASHER		1	
11	TB1S482020008K	3-GANG PADDLE SWITCH		2	
12	TB1S482050004K	FIVE ROCKER SWITCH		3	
13	TS04482010010	MP3 PLAYER		1	
14	RV03701000007	SWITCH OF NORMAL CLOSE		5	
15	GBT16674. 1-M8X25-8. 8-A2L	HEX FLANGE BOLTS		4	
16	TB3S482020004K	CONTROL BOX		1	
17	TB3S482020005K	RPM SENSOR		1	
18	TS06482010005	HARNESS TIGHTEN CLIP		6	
19	GBT818-M6X20-4. 8-A2L	CROSS RECESSED PAN HEAD SCREWS		1	

TB3S482020000K WIRING HARNESS (cont'd.)

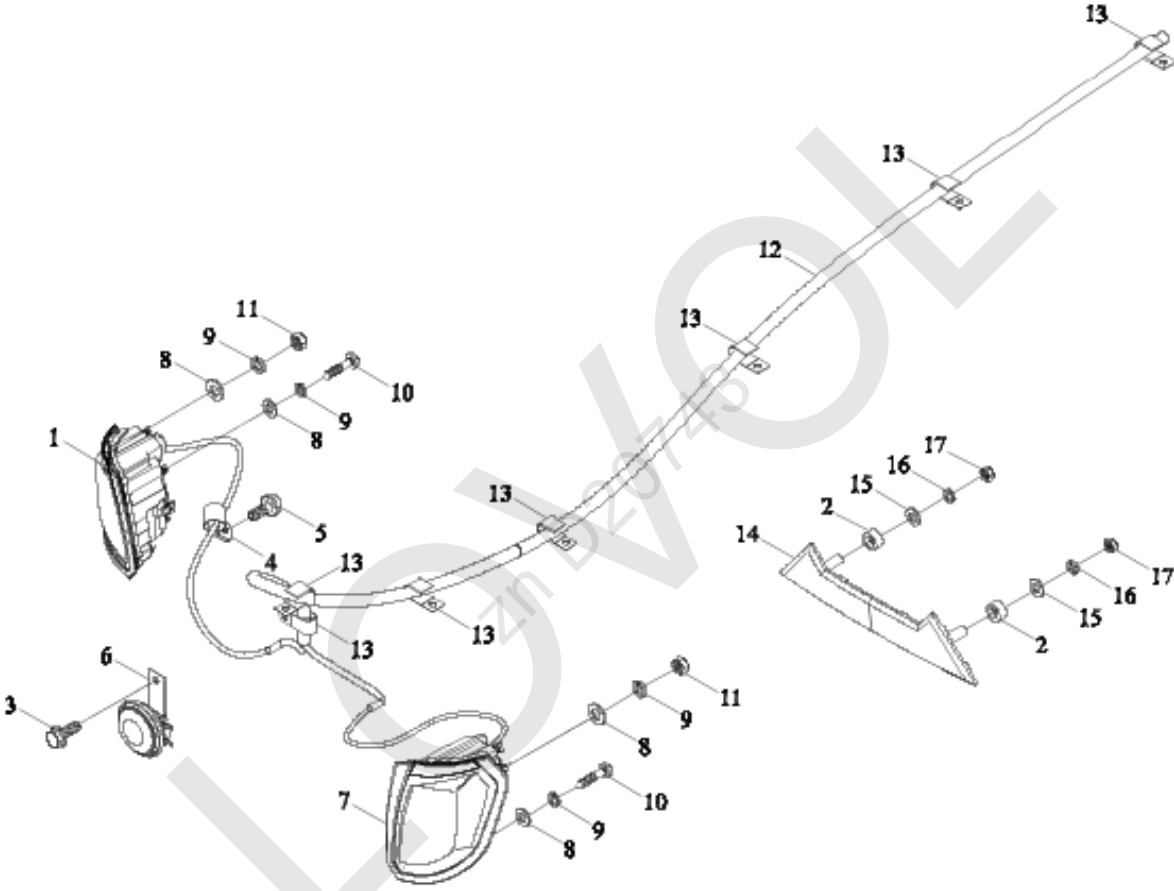
No.	Part No.	Description	Version	QTY.	Remark
20	TB3S482020002K	CENTRAL ELECTRICAL BOX ASSEMBLY		1	
20.1	GE20H16Y. 34. 6-04	MAIN POWER RELAY		4	
20.2	TC02482010003K	FUSE 10A		4	
20.3	FT300. 48. 513	ELECTRIC FLASH		2	
20.4	TC02482010007K	FUSE 7. 5A		2	
20.5	TC02482010002K	FUSE 5A		2	
20.6	TC02482010004K	FUSE 15A		2	
20.7	FT300. 48D. 2. 2. 2	PREHEATING RELAY		18	
20.8	TS04482050006K	FUSE		3	
20.9	TC02482010005K	FUSE 20A		1	
21	GBT16674. 1-M6X12-8. 8-A2L	HEX FLANGE BOLTS		1	
22	GBT16674. 1-M8X20-8. 8-A2L	HEX FLANGE BOLTS		2	
23	3203505D9-L	CABLE TIE		2	
24	Q67405200	PLASTIC FASTENING STRIP		2	
25	TS04482070004	RUBBER RING		1	
26	TS04482070005a	FIXING PLATE		1	
27	FT65. 48. 095	HARNESS FIXING CLAMP		1	
28	BZF0068-112	SWITCH		1	
29	GBT97. 1-5-A3L	FLAT WASHERS		1	
30	GBT818-M5X12-4. 8-A2L	CROSS RECESSED PAN HEAD SCREWS		3	
31	FT304. 48L. 203	HARNESS TIGHTEN CLIP		1	
32	TB1S482020005K	SWITCH		1	

TB3S482020000K WIRING HARNESS (cont'd.)

No.	Part No.	Description	Version	QTY.	Remark
33	JBT982-16	COMBINATION GASKET		1	
34	TB1S482020003K	STEERING LOWER PRESSURE ALARM SWITCH		2	
35	JBT982-10	COMBINATION GASKET		1	
36	TS04482010004	WATCH		1	
37	GBT16674. 1-M10X16-8. 8-A3L	HEX FLANGE BOLTS		4	
38	FT800A. 48L. 106	HARNESS CLAMP		1	
39	G20B20. 34. 9-02	MAGNETIC STEEL		1	
40	JBT982-18	COMBINATION GASKET		1	
41	GBT16674. 1-M8X16-8. 8-A2L	HEX FLANGE BOLTS		1	
42	TB1S482010003	ELECTRIC CONTROL HAND THROTTLE		1	
43	TB1S482050003K	PTO TRANSITIONAL LINE ASSEMBLY		1	
44	TS04582010027	RUBBER RING		1	
45	BZF0074-006	ELECTRONIC FOOT ACCELERATOR		1	
46	TD2C482020001	APPROACH SWITCH		1	

TB1S483030000K WIRING HARNESS-FRONT

LOWELOW
zn D20743

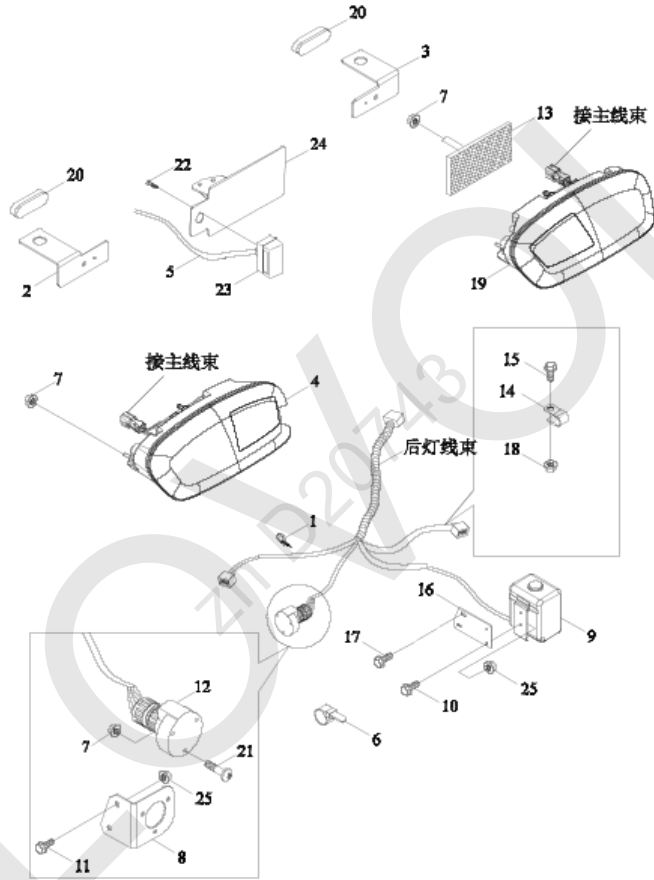


TB1S483030000K WIRING HARNESS-FRONT

No.	Part No.	Description	Version	QTY.	Remark
	TB1S483030000K	FRONT LAMP HARNESS INSTALLATION ASSEMBLY	001	1	
1	TS04483020002K	RIGHT FRONT BIG LAMP ASSEMBLY		1	
2	TS04483010007	WASHER		2	
3	GBT16674. 1-M8X16-8. 8-A2L	HEXAGON FLANGE NUT		2	
4	TS04481010006	HARNESS TIGHTEN CLIP		2	
5	GBT16674. 1-M6X16-8. 8-A2L	HEXAGON FLANGE NUT		1	
6	TB1S483030001K	ELECTRIC HORN		1	
7	TS04483020001K	LEFT FRONT BIG LAMP ASSEMBLY		1	
8	GBT97. 1-6-A3L	FLAT WASHER		8	
9	GBT93-6-A3L	STANDARD SPRING WASHER		8	
10	GBT818-M6X20-4. 8-A2L	CROSS SCREW		4	
11	GBT6170-M6-8-A2L	HEXAGON NUT, TYPE-1		4	
12	TB1S483010001K	FRONT LAMP HARNESS ASSEMBLY		1	
13	FT65. 48. 095	HARNESS TIGHTEN CLIP		8	
14	TS04483010005	ADORNING STRIP		1	
15	GBT97. 1-5-A3L	FLAT WASHER		2	
16	GBT93-5-A3L	STANDARD SPRING WASHER		2	
17	GBT6170-M5-8-A2L	HEXAGON NUT, TYPE-1		2	

TB1S484010000K WIRING HARNESS-REAR

LOWVOLT
zn D20743



TB1S484010000K WIRING HARNESS-REAR

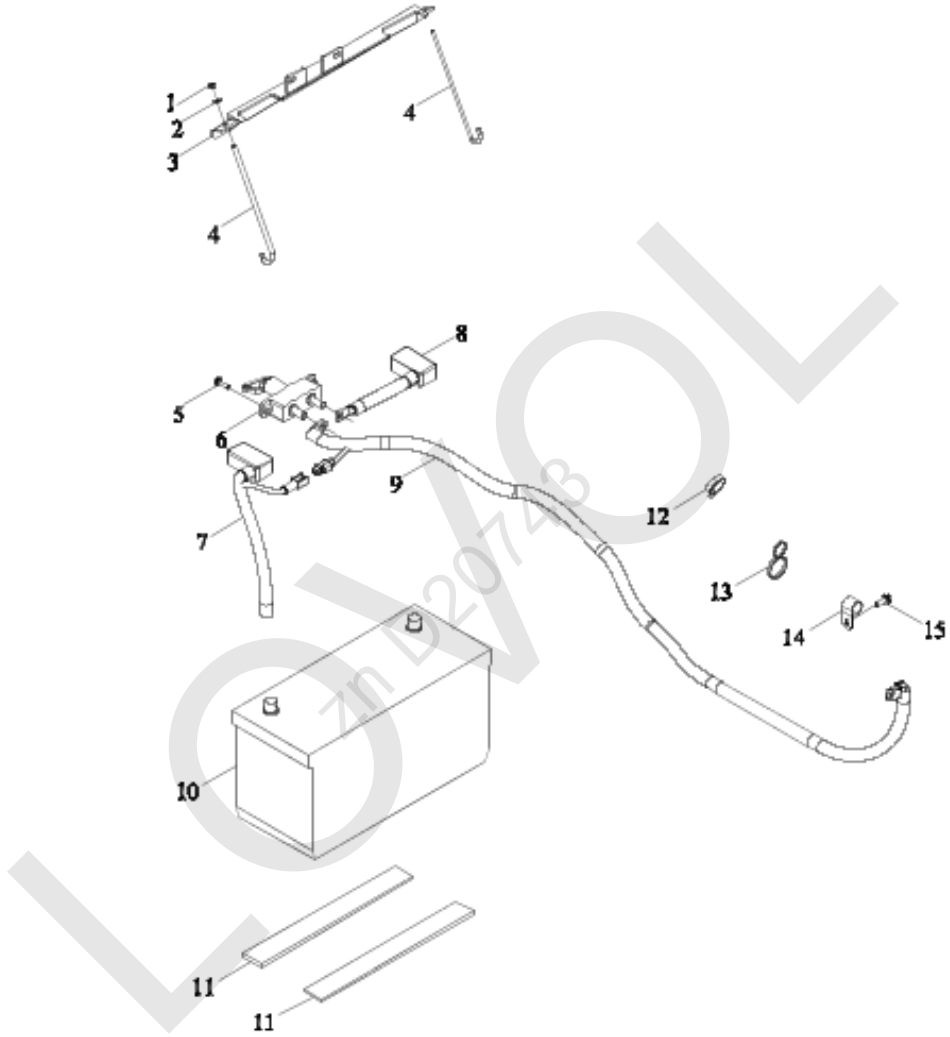
No.	Part No.	Description	Version	QTY.	Remark
	TB1S484010000K	REAR LAMP HARNESS INSTALLATION ASSEMBLY		1	
1	Q67405100	PLASTIC FASTENING STRIP		1	
2	TD800. 484B-01	REFLECTOR INSTALLATION PLATE LEFT		1	
3	TD800. 484B-02	REFLECTOR INSTALLATION PLATE RIGHT		1	
4	TS06484020001K	LEFT TAIL LAMP ASSEMBLY		1	
5	TC05484150006K	TRANSITION WIRE HARNESS ASSEMBLY		1	
6	3203505D9-L	TIE		1	
7	GBT6177. 1-M5-8-A2L	HEXAGON FLANGE NUT		7	
8	TS04484010004	TRAILER SOCKET INSTALLATION PLATE		1	
9	TS04484080002K	SYRINGE ASSEMBLY		1	
10	GBT16674. 1-M6X20-8. 8-A2L	HEXAGON FLANGE NUT		2	
11	GBT16674. 1-M6X45-8. 8-A2L	HEXAGON FLANGE NUT		2	
12	TD900. 484. 2	REAR TRAILER SOCKET		1	
13	TD800. 484B. 5	REFLECTOR ASSEMBLY		2	
14	FT65. 48. 095	HARNESS TIGHTEN CLIP		3	
15	GBT16674. 1-M8X20-8. 8-A2L	HEXAGON FLANGE NUT		4	
16	TS04484080001K	INSTALLATION PLATE		1	
17	GBT16674. 1-M8X45-8. 8-A2L	HEXAGON FLANGE NUT		2	
18	GBT6177. 1-M8-8-A2L	HEXAGON FLANGE NUT		4	
19	TS06484020002K	RIGHT TAIL LAMP		1	
20	TS06484020003K	REFLECTOR		2	
21	GBT818-M5X35-4. 8-A2L	CROSS SCREW		3	
22	GBT845-ST3. 5X16-A2L	SCREW		2	

TB1S484010000K WIRING HARNESS-REAR (cont'd.)

No.	Part No.	Description	Version	QTY.	Remark
23	TA700.484A.2.1	LICENSELAMP		1	
24	TB1S484010001K	NAMEPLATE LAMP BRACKET WELDMENT		1	
25	GBT6177.1-M6-8-A2L	HEXAGON FLANGE NUT		4	

TB3S485010000K BATTERY ASSEMBLY

LOWVOLT
zn D20743

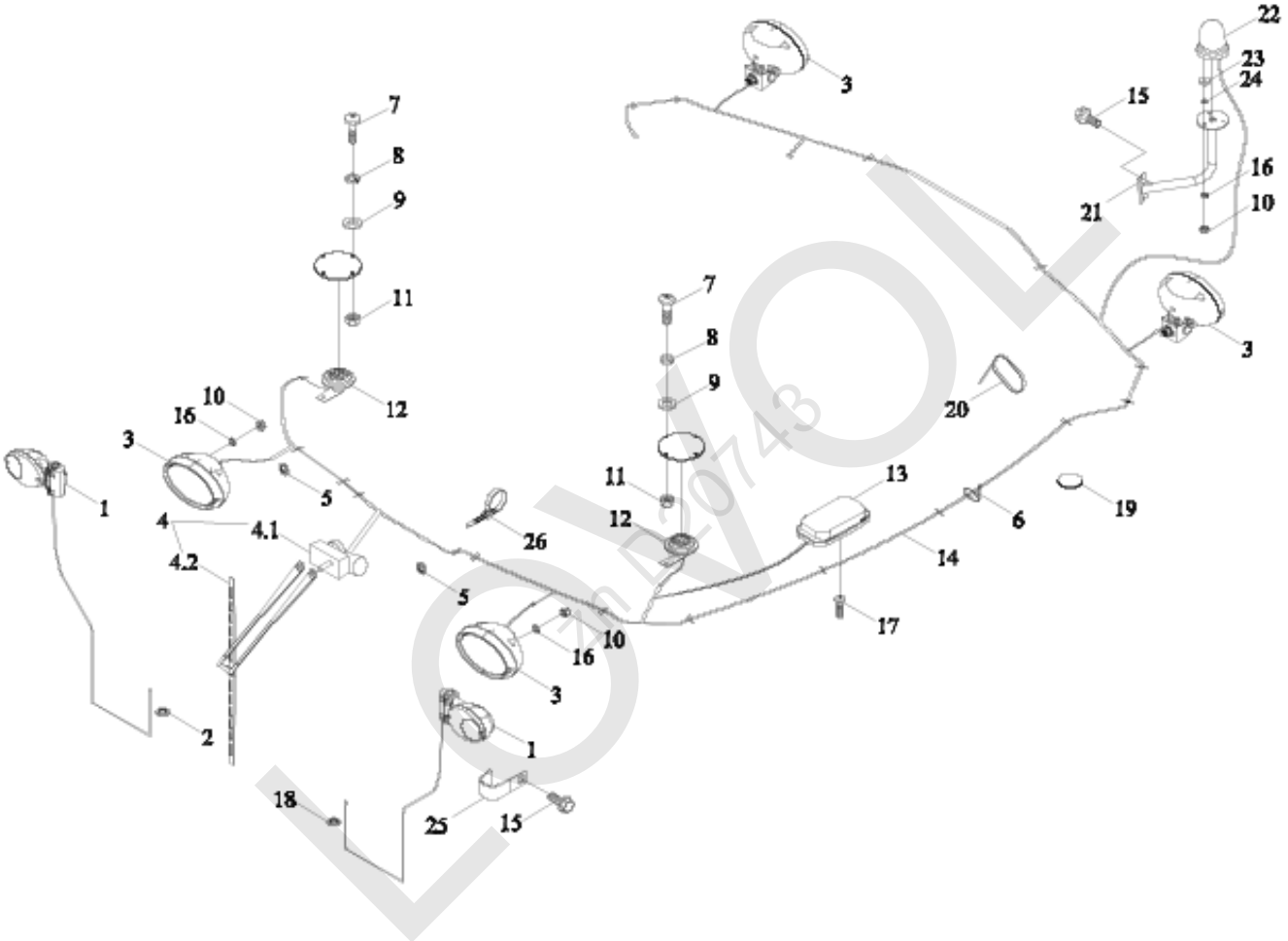


TB3S485010000K BATTERY ASSEMBLY

No.	Part No.	Description	Version	QTY.	Remark
	TB3S485010000K	BATTERY INSTALLATION ASSEMBLY	002	1	
1	GBT6170-M6-8-A2L	TYPE 1 HEX NUT		2	
2	GBT97. 1-6-A3L	FLAT WASHERS		2	
3	TB3S485010002K	PRESSURE PLATE WELDMENT		1	
4	TS04485010002	TIE ROD		2	
5	GBT16674. 1-M6X20-8. 8-A2L	HEX FLANGE BOLTS		2	
6	TC03485080003	POWER SWITCH		1	
7	TB3S485010001K	CONNECTING WIRE		1	
8	TB3S485010003K	BATTERY POSITIVE CABLE		1	
9	TB3S485010004K	POWER WIRE		1	
10	FT450. 48. 010	MAINTENANCE-FREE LEAD ACID BATTERY		1	
11	TB450. 485. 1	BATTERY SHOCK ABSORPTION MAT		2	
12	3203505D9-L	CABLE TIE		1	
13	TG3S488010002	TIE		1	
14	TC05485040005	HARNESS TIGHTEN CLIP		2	
15	GBT16674. 1-M8X20-8. 8-A2L	HEX FLANGE BOLTS		2	

TB1S486020000K WIRING HARNESS

LOWEOL
zn D20743



TB1S486020000K WIRING HARNESS

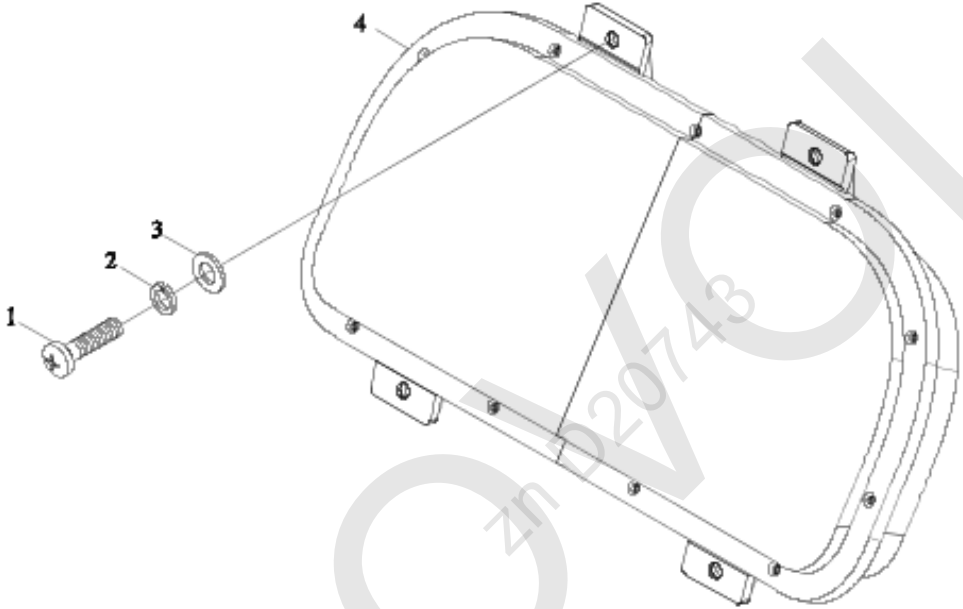
No.	Part No.	Description	Version	QTY.	Remark
	TB1S486020000K	TOP LIGHT HARNESS INSTALLATION ASSEMBLY	001	1	
1	TS06486010001K	RIGHT ARMREST LIGHT ASSEMBLY		2	
2	TS04486010010	RUBBER RING		1	
3	TS06486010003	TOP LIGHT ASSEMBLY		4	
4	TB1S486010001K	FRONT SCRAPER ASSEMBLY		1	
4.1	TB1S486010003K	FRONT SCRAPER MOTOR		1	
4.2	TK4860013000	FRONT SCRAPER ROD		1	
5	FT65. 48. 093	RUBBER RING-1		4	
6	3203505D9-L	CABLE TIE		10	
7	GBT818-M4X16-4. 8-A2L	CROSS RECESSED PAN HEAD SCREWS		8	
8	GBT93-4-A3L	STANDARD SPRING WASHER		8	
9	GBT97. 1-4-A3L	FLAT WASHERS		8	
10	GBT6170-M6-8-A2L	TYPE 1 HEX NUT		11	
11	GBT6170-M4-8-A2L	TYPE 1 HEX NUT		8	
12	TS04486010003	LOUDHAILER ASSEMBLY		2	
13	TS06486010006	INNER TOP LIGHT ASSEMBLY		1	
14	TS04486010009K	TOP LIGHT HARNESS ASSEMBLY		1	
15	GBT16674. 1-M8X20-8. 8-A2L	HEX FLANGE BOLTS		4	
16	GBT93-6-A3L	STANDARD SPRING WASHER		11	
17	GBT845-ST4. 8X16-A2L	CROSS RECESSED PAN HEAD TAPPING SCREWS		4	
18	TS04486010009	RUBBER RING		1	
19	QLWZL002-20X1. 0	3M GLUE PIECE		2	
20	Q67405200	PLASTIC FASTENING STRIP		3	

TB1S486020000K WIRING HARNESS (cont'd.)

No.	Part No.	Description	Version	QTY.	Remark
21	TS04486010003K	ALARM LIGHT BRACKET WELDMENT		1	
22	TS04486010002K	ROTATING ALARM LIGHT ASSEMBLY		1	
23	TG1204.486-01	RUBBER MAT		3	
24	GBT96.1-6-A3L	LARGE WASHER		3	
25	TS04481010006	HARNESS TIGHTEN CLIP		4	

TB3S487050000K INSTRUMENT CLUSTER

LOWVOLT
zn D20743

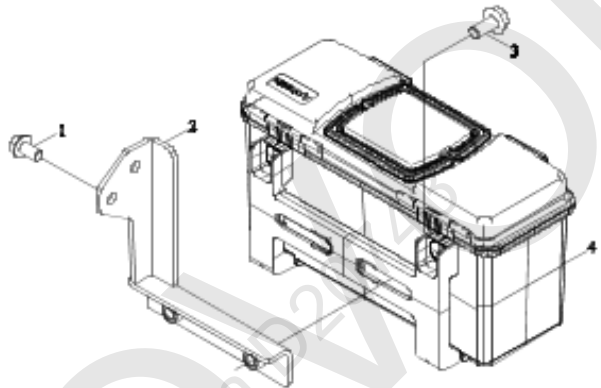


TB3S487050000K INSTRUMENT CLUSTER

No.	Part No.	Description	Version	QTY.	Remark
	TB3S487050000K	COMBINED INSTRUMENT ASSEMBLY	001	1	
1	GBT818-M6X16-4.8-A2L	CROSS RECESSED PAN HEAD SCREWS		4	
2	GBT93-6-A3L	STANDARD SPRING WASHER		4	
3	GBT96.1-6-A3L	LARGE WASHER		4	
4	TB3S487050001K	COMBINED INSTRUMENT ASSEMBLY		1	

TM3B490020000K TOOL BOX

LOWVOL
zn D20743

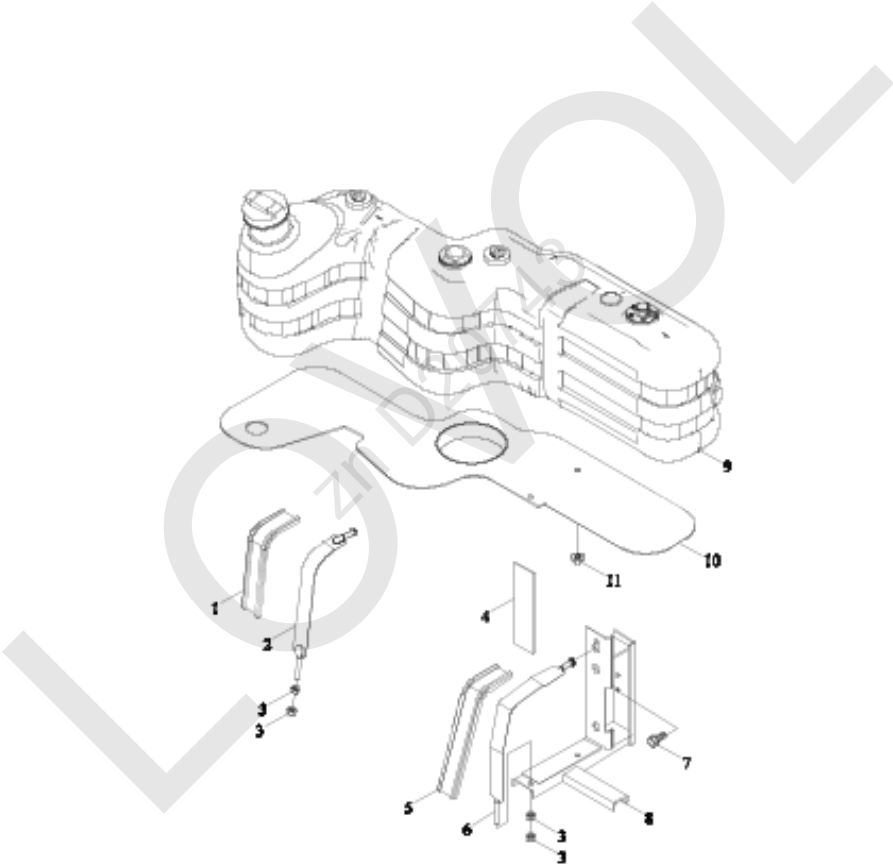


TM3B490020000K TOOL BOX

No.	Part No.	Description	Version	QTY.	Remark
	TM3B490020000K	TOOL BOX INSTALLATION ASSEMBLY	001	1	
1	GBT5789-M10X20-8.8-A3L	HEX FLANGE BOLTS		2	
2	TM3B490010001K	Kit mounting bracket welded		1	
3	GBT5789-M12X25-8.8-A3L	HEX FLANGE BOLTS		2	
4	TB1S490010001K	TOOLS BOX		1	

LOWLOL
zn D20743

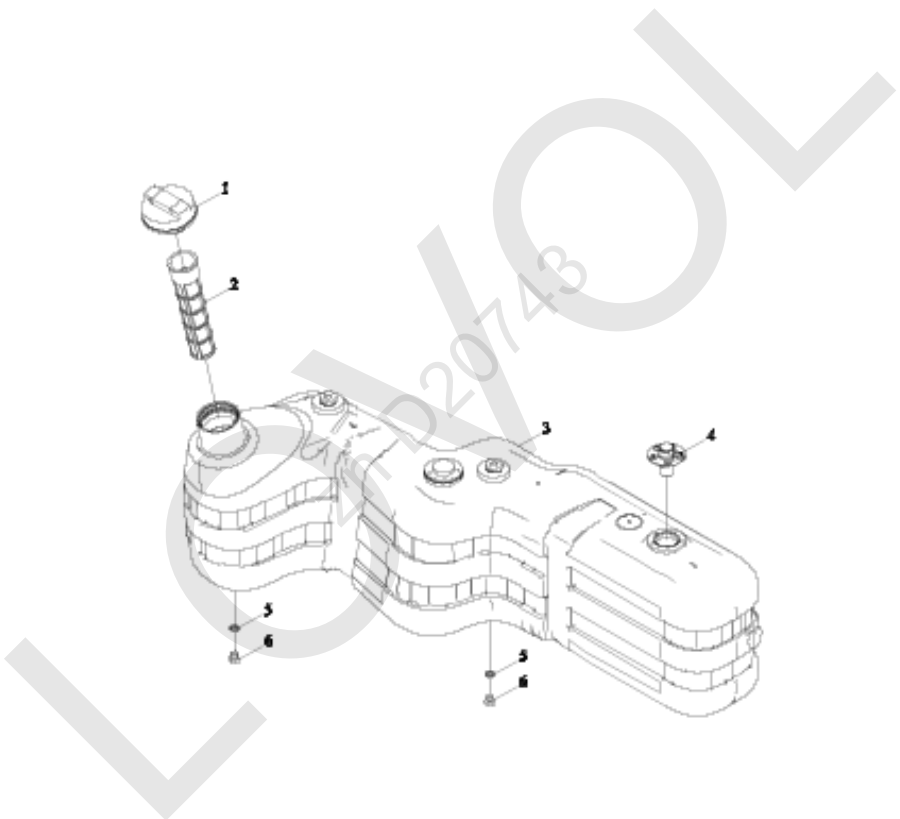
TB1S501040000K OIL TANK-1



TB1S501040000K OIL TANK-1

No.	Part No.	Description	Version	QTY.	Remark
	TB1S501040000K	OIL TANK INSTALLATION ASSEMBLY	001	1	
1	TS04501010009	TIE RUBBER STRIP		1	
2	TS04501010003	FRONT BAND WELDMENT		1	
3	GBT6170-M10-8-A3L	TYPE 1 HEX NUT		4	
4	TB604. 501-01	RUBBER MAT		1	
5	TB604. 501-02	TIE RUBBER STRIP		1	
6	TS04501010008	REAR FASTENING TIE WELDMENT		1	
7	GBT5789-M10X20-10. 9-A3L	HEX FLANGE BOLTS		2	
8	TS04501060006	REAR BRACKET WELDMENT		1	
9	TS04501060001a	OIL TANK ASSEMBLY		1	
10	TS04501060005	OIL TANK GUARD PLATE WELDMENT		1	
11	GBT6177. 1-M10-8-A3L	HEXAGON FLANGE NUT		1	

TB1S501040000K OIL TANK-2



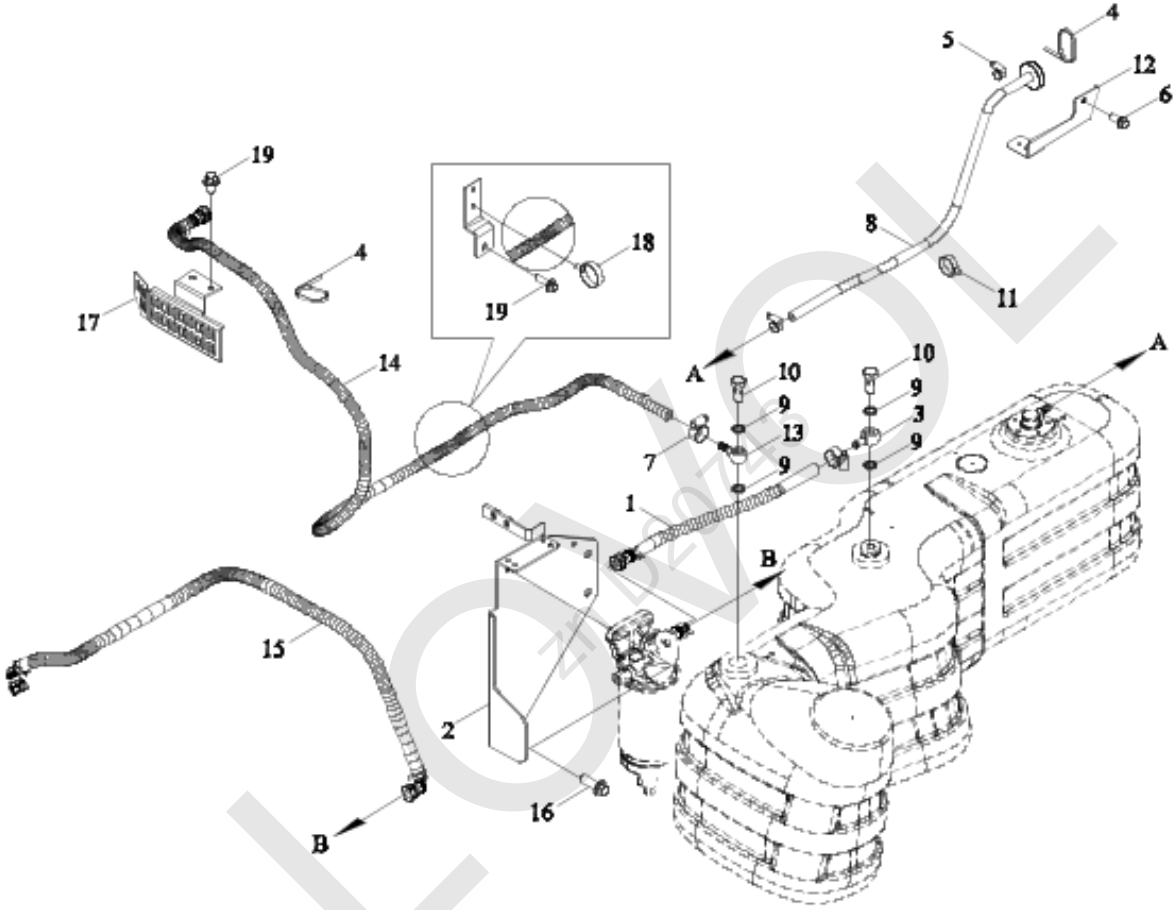
TB1S501040000K OIL TANK-2

No.	Part No.	Description	Version	QTY.	Remark
	TS04501060001a	OIL TANK ASSEMBLY		1	
	TB1S501040000K	OIL TANK INSTALLATION ASSEMBLY		1	
1	TS06501040014	FUEL TANK CAP		1	
2	TF1004. 501. 1-02	FILTER MESH		1	
3	TS04501060002	OIL TANK HOUSING		1	
4	TB3S501030006	BREATHER		1	
5	JBT982-12	COMBINATION GASKET		2	
6	Q617B12	HEXAGON PLUG		2	

LOWLOL
zn D20743

TB3S503020000K OIL CONVEYING PIPE ASSEMBLY

LOWVOL
zn D20743

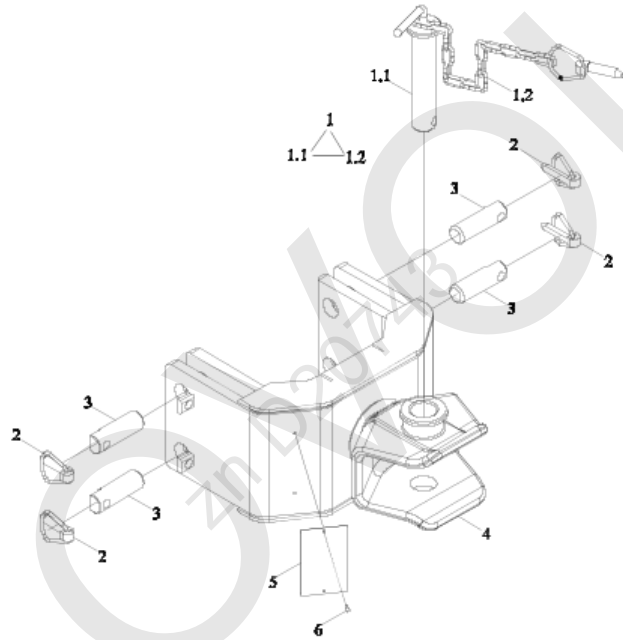


TB3S503020000K OIL CONVEYING PIPE ASSEMBLY

No.	Part No.	Description	Version	QTY.	Remark
	TB3S503020000K	OIL CONVEYING PIPE	002	1	
1	TB3S503020002K	OIL INLET PIPE		1	
2	TB3S503020004K	BRACKET		1	
3	FT65. 37. 186	PIPE JOINT		1	
4	Q67405200	PLASTIC FASTENING STRIP		8	
5	Q67516	A TYPE WORM DRIVE TYPE HOSE HOOP		2	
6	GBT16674. 1-M6X16-8. 8-A2L	HEX FLANGE BOLTS		1	
7	Q67627	B TYPE WORM DRIVE TYPE HOSE HOOP		2	
8	TS04501060003	BREATH ASSEMBLY		1	
9	JB982-14	COMBINATION GASKET		4	
10	FT65. 50. 106	HOLLOW BOLT		2	
11	3203505D9-L	CABLE TIE		7	
12	TS04501060004	BREATH BRACKET WELDMENT		1	
13	FT800A. 50. 162	OIL PIPE JOINT		1	
14	TB1S503060006K	TUBE, FUEL DRAIN		1	
15	TB1S503060005K	OIL INLET PIPE		1	
16	GBT16674. 1-M8X25-8. 8-A2L	HEX FLANGE BOLTS		2	
17	TB3S503020007K	GUARD PLATE		1	
18	TB3S503020008K	OIL PIPE BRACKET		2	
19	GBT16674. 1-M8X12-8. 8-A2L	HEX FLANGE BOLTS		4	

TB1S530010000K TOWING ADJUSTING

LOWVOL
zn D20743

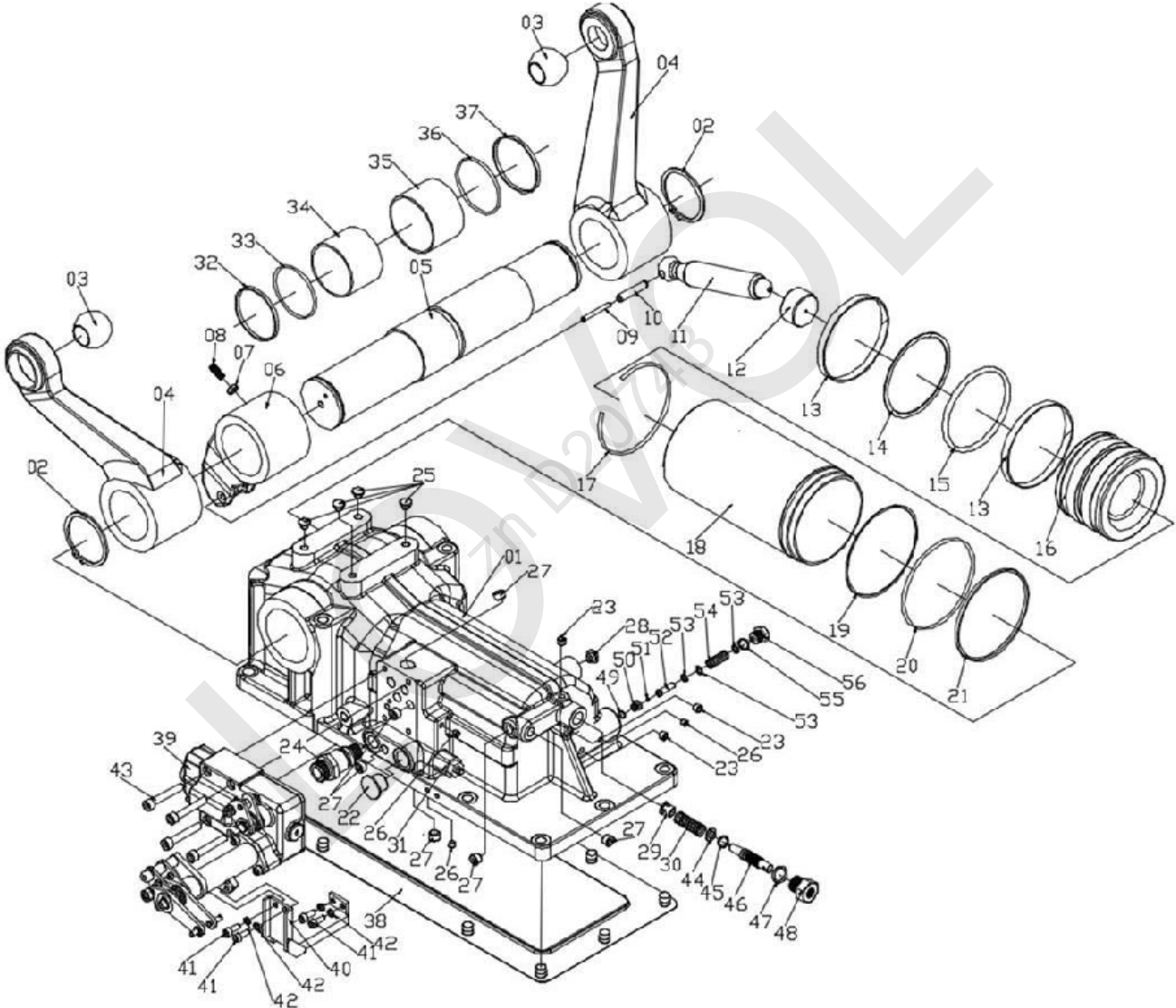


TB1S530010000K TOWING ADJUSTING

No.	Part No.	Description	Version	QTY.	Remark
	TB1S530010000K	TOW		1	
1	TA700.53C.1.3	TOWINGPINANDLOCKINGPINASSEMBLY		1	
1.1	TA700.53C.1.3.1	TOW PIN WELDMENT		1	
1.2	TD800.35A.1.1.1	LOCKING PIN AND CHAIN ASSEMBLY		1	
2	FT300.56.029	LOCK PIN ASSEMBLY		4	
3	TB1S530010008K	CONNECTING PIN		4	
4	TB1S530010001K	TOW MECHANISM ASSEMBLY WELDMENT		1	
5	TB1S530010010K	DRAG HANG THE AUTHENTICATION THE SIGN		1	
6	GBT827-3X8-A0P	LABEL RIVET		2	

LOWLOL
zn D20743

TM3B551020004K-13001200010-1



TM3B551020004K-13001200010-1

No.	Part No.	Description	Version	QTY.	Remark
	13001200010	LIFTER ASSEMBLY		1	
1	13001201010	CASE		1	
2	GBT894. 1-65	CIRCLIP		2	
3	601-103-5010-00	JOINT BEARING		2	
4	13000201021	LIFTINGARM		2	
5	13000203011	LIFTING SHAFT		1	
6	601-103-1040-00	INNER ARM		1	
7	GBT6172. 1-M8	HEXAGON THIN NUT		1	
8	GBT79-M8X20	SCREW		1	
9	GBT879. 1-5X45	SPRING PIN		1	
10	GBT879. 1-8X45	SPRING PIN		1	
11	601-103-5030-00	PUSH ROD		1	
12	601-103-5180-00	PISTON BALL SEAT		1	
13	9. 5X2	FRICITION RING		2	
14	601-103-8080-00	RETAINER RING T2-P100		1	
15	1AP-100	O-RING		1	
16	601-103-1030-00	PISTON		1	
17	GBT895. 1-120	RETAINER RING 120		1	
18	601-103-5000-00	OILCYLINDERCANISTER		1	
19	601-103-8090-01	RETAINER RING T2-G115		1	
20	1AG-115	O-RING		1	
21	601-103-5240-00	WASHER		1	
22	NO-NUMBER	PLUG		1	

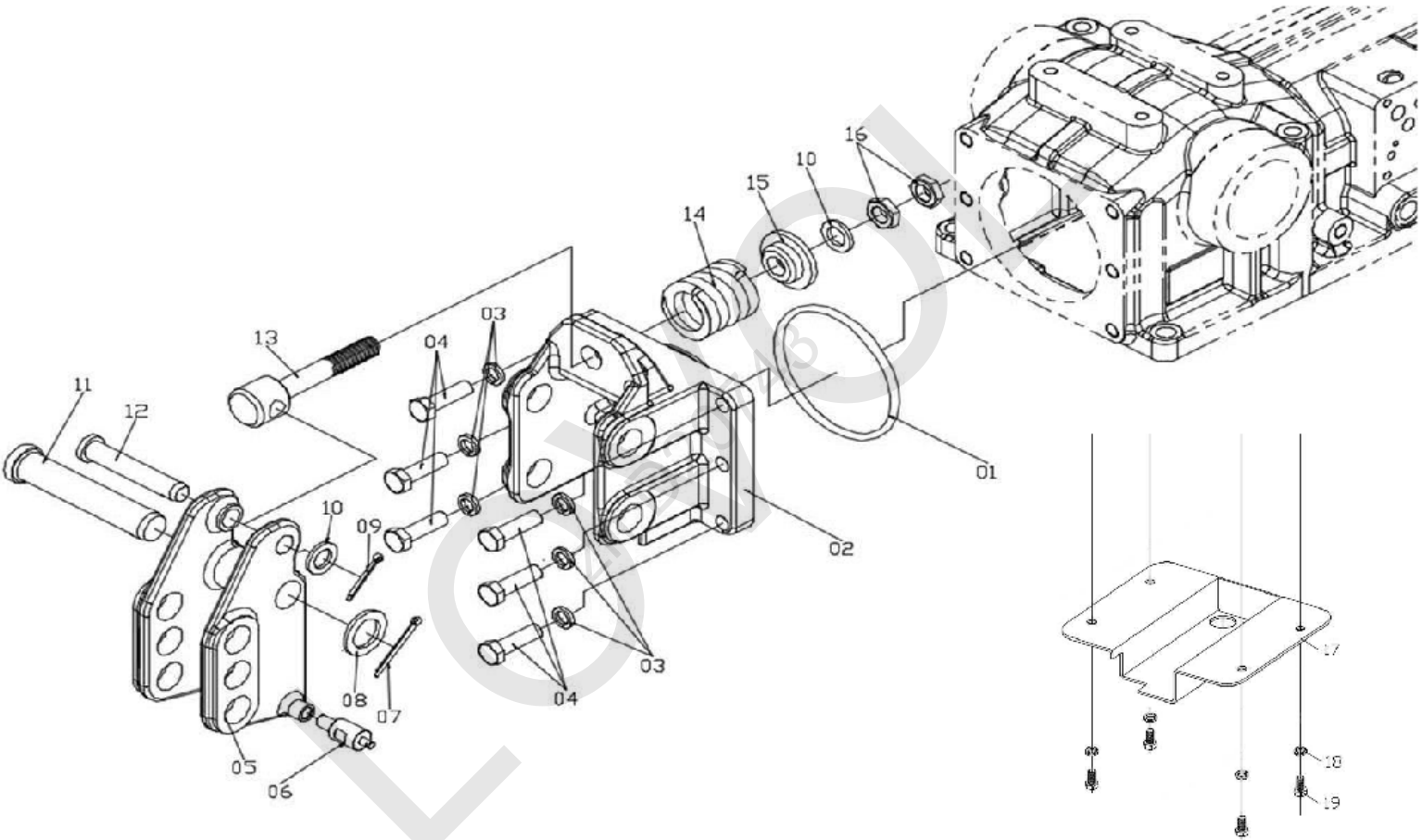
TM3B551020004K-13001200010-1 (cont'd.)

No.	Part No.	Description	Version	QTY.	Remark
23	JBZQ-4446-R1-8	PLUG		3	
24	601-301-0000-00	FILTER ASSEMBLY		1	
25	QJ554-1. 31. 213	M10 SHIELD		4	
26	JBZQ-4447-NPT1-16	PLUG		3	
27	JBZQ-4446-R1-4	PLUG		6	
28	QJ554. 31. 212	M12 SHIELD		1	
29	601-205-5030-00	CHECK VALVE		1	
30	601-205-6000-00	SPRING		1	
31	601-202-0000-00	RELIEF VALVE		1	
32	601-103-5040-00	RING 65		1	
33	1AG-65	O-RING		1	
34	ZOB-6550	SLIDING BEARING		1	
35	ZOB-7050	SLIDING BEARING		1	
36	1AG-70	O-RING		1	
37	601-103-5050-00	RING 70		1	
38	601-103-8050-00	PLATE		1	
39	601-103-9120-00	CONTROL ASSEMBLY		1	
40	601-103-2011-00	SUPPORT PLATE		1	
41	GBT70. 1-M6X16	HEXAGON SOCKET HEAD CAP SCREW		4	
42	GBT93-6	SPRING WASHER		4	
43	GBT70. 1-M8X50	HEXAGON SOCKET HEAD CAP SCREW		4	
44	601-205-5040-00	FLAT WASHER		1	

TM3B551020004K-13001200010-1 (cont'd.)

No.	Part No.	Description	Version	QTY.	Remark
45	1AP-10	O-RING		1	
46	601-205-5020-00	VALVE CORE		1	
47	1BP-16	O-RING		1	
48	601-205-5010-00	VALVE CAP		1	
49	1BS-07	O-RING		1	
50	601-203-5070-00	SEAL SEAT		1	
51	GBT308-3.572	STEEL BALL		1	
52	601-203-5060-00	VALVE		1	
53	601-203-5080-00	ADJUSTING WASHER		3	
54	601-203-6010-00	SPRING		1	
55	1BP-12	O-RING		1	
56	601-203-5050-00	HEXAGON SCREW PLUG		1	

TM3B551020004K-13001200010-2

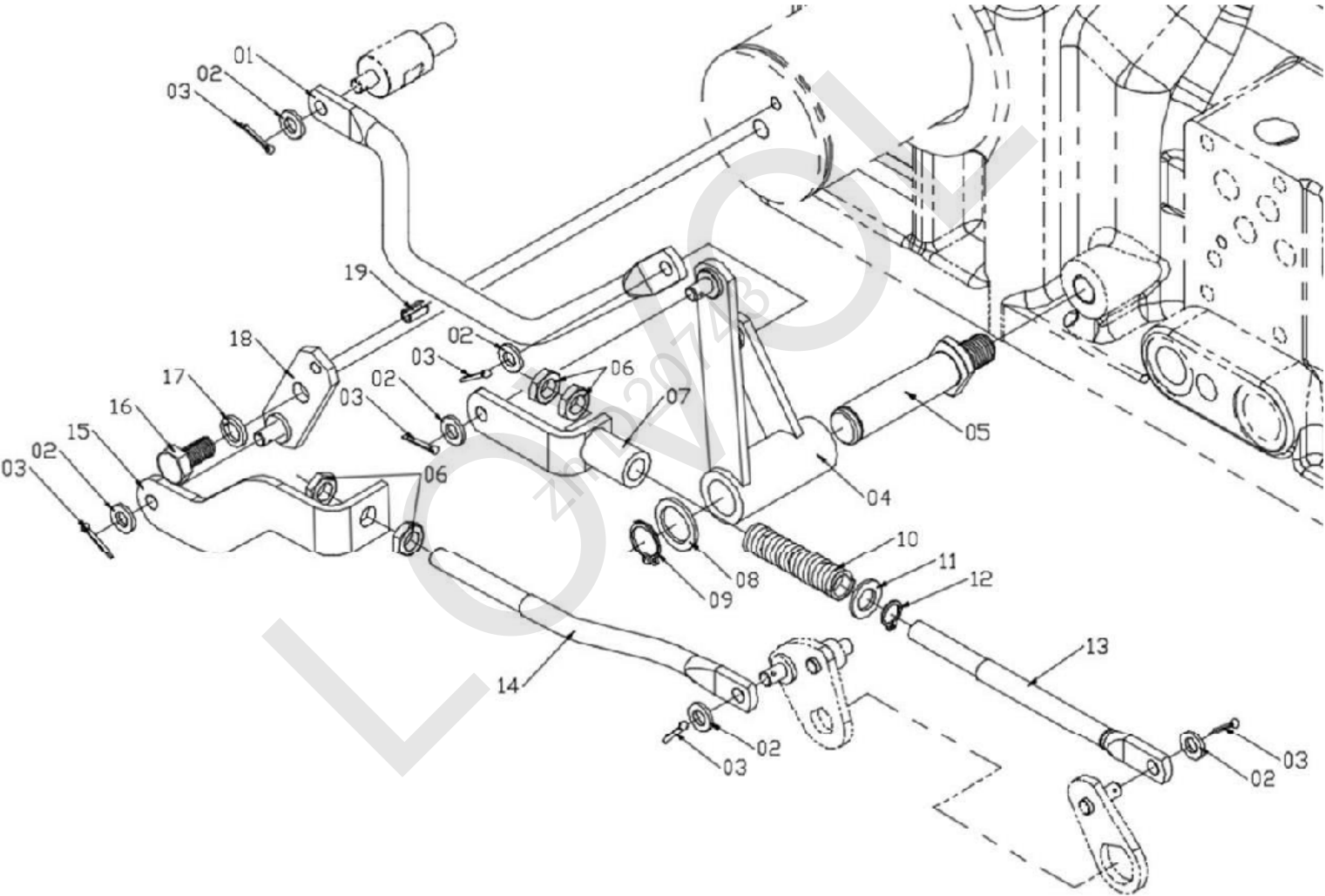


TM3B551020004K-13001200010-2

No.	Part No.	Description	Version	QTY.	Remark
	13001200010	LIFTER ASSEMBLY			
1	1AP110	O-RING		1	
2	601-103-1020-00	UPPER PULL ROD SUPPORT SEAT		1	
3	GBT93-12	SPRING WASHER		6	
4	GBT5783-M12X40-12.9	HEX HEAD BOLTS		6	
5	601-103-2000-00	FORCE ADJUST SEAT		1	
6	601-103-5400-00	PIN SHAFT A		1	
7	GBT91-4X45	COTTER PIN		1	
8	601-103-5150-00	WASHER		1	
9	GBT91-4X35	COTTER PIN		1	
10	601-103-5140-00	WASHER		2	
11	601-103-5130-00	PIN		1	
12	601-103-5160-00	FORCE ADJUST SPRING PIN		1	
13	601-103-5110-00	PIN		1	
14	601-103-6030-00	FORCE ADJUSTING SPRING		1	
15	601-103-5120-00	SPRING SUPPORT		1	
16	GBT6173-M16X1.5	HEXAGON NUT		2	
17	13001202170	GUARD PLATE		1	
18	GBT93-6	SPRING WASHER		4	
19	GBT5783-M6X12	HEX HEAD BOLTS		4	

LOWLOL
zn D20743

TM3B551020004K-13001200010-3



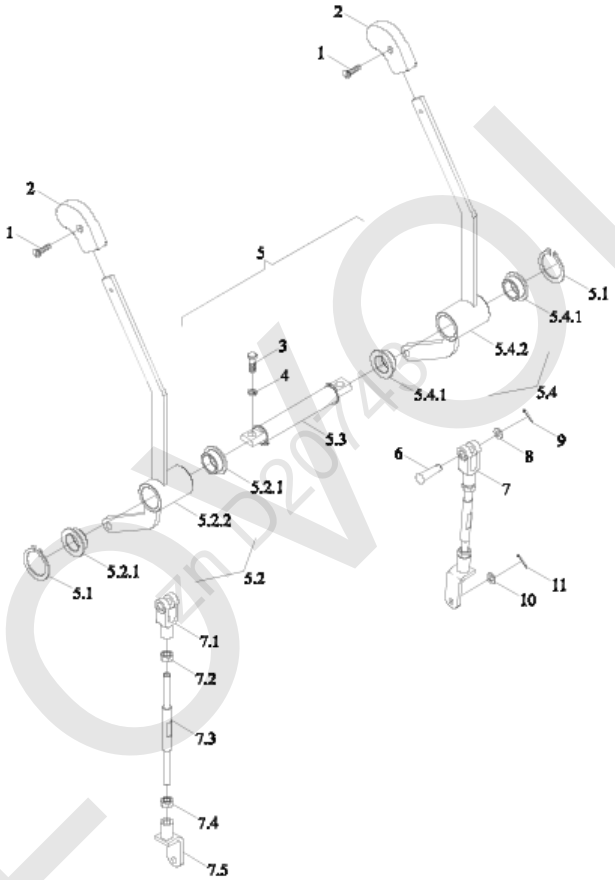
TM3B551020004K-13001200010-3

No.	Part No.	Description	Version	QTY.	Remark
	13001200010	LIFTER ASSEMBLY			
1	601-103-2060-00	FORCE FEEDBACK ROD		1	
2	GBT97. 16	WASHER		6	
3	GBT91-2X12	COTTER PIN		6	
4	601-103-2080-00	FORCE FEEDBACK CONNECTING PLATE		1	
5	601-103-5410-00	PIN SHAFT B		1	
6	GBT6172. 1-M8	HEXAGON NUT		4	
7	601-103-2110-00	L CONNECTING PLATE		1	
8	601-103-5080-00	FLAT WASHER		1	
9	GBT894. 1-15	CIRCLIP		1	
10	601-103-6020-00	FORCE FEEDBACK SPRING		1	
11	601-205-5040-00	FLAT WASHER		1	
12	GBT894. 1-9	CIRCLIP		1	
13	601-103-5390-00	FORCE FEEDBACK PULL ROD		1	
14	601-103-2040-00	POSITION FEEDBACK PULL ROD		1	
15	601-103-2030-00	CONNECTING PLATE		1	
16	GBT5783-M8X20	HEX HEAD BOLTS		1	
17	GBT93-8	SPRING WASHER		1	
18	601-103-2090-00	FEEDBACK PLATE		1	
19	GBT879. 4-5X10	SPRING PIN		1	

LOWVOL
zn D20743

TB1S552030000 CONTROL ASSEMBLY (LIFTER)

LOWVOL
zn D20743



TB1S552030000 CONTROL ASSEMBLY (LIFTER)

No.	Part No.	Description	Version	QTY.	Remark
	TB1S552030000	LIFTER OPERATION ASSEMBLY		1	
1	GBT68-M4X10-4.8-A2L	SLOTTED SCREW		2	
2	TB504.552-04	HANDLE HEAD		2	
3	GBT5783-M8X25-8.8-A2L	HEXAGON BOLT		2	
4	GBT93-8-AOP	STANDARD SPRING WASHER		2	
5	TB1S552030001	LIFTER CONTROL MECHANISM ASSEMBLY		1	
5.1	GBT894.1-20	CIRCLIP FOR SHAFT		2	
5.2	TB1S552030005	LIFTER CONTROL PRESSURE UNIT 2		1	
5.2.1	TB704.58A.11.1-01	NYLON SLEEVE		2	
5.2.2	TB1S552030006	LIFTER OPERATION ASSEMBLY 2		1	
5.3	TS04552010001	FIXING SHAFT		1	
5.4	TB1S552030002	LIFTER CONTROL PRESSURE UNIT 1		1	
5.4.1	TB704.58A.11.1-01	NYLON SLEEVE		2	
5.4.2	TB1S552030003	LIFTER OPERATION ASSEMBLY 1		1	
6	GBT882-B8X30-AOP	PIN SHAFT		2	
7	TB3S552030011	ADJUSTING ROD		2	
7.1	TB504.552D.3-03	RIGHT REVOLVING CONNECTING FORK		1	
7.2	GBT6170-M8-8-A2L	HEXAGON NUT, TYPE-1		1	
7.3	TB3S552030012	CONTROL PULL ROD		1	
7.4	GBT6170-M8-LH-8-A2L	HEXAGON NUT, TYPE-1		1	
7.5	TB3S552030014	LEFT REVOLVING PULL ROD FORK		1	
8	GBT97.1-8-A3L	FLAT WASHER		2	
9	GBT91-3.2X16-AOP	SPLIT PIN		2	

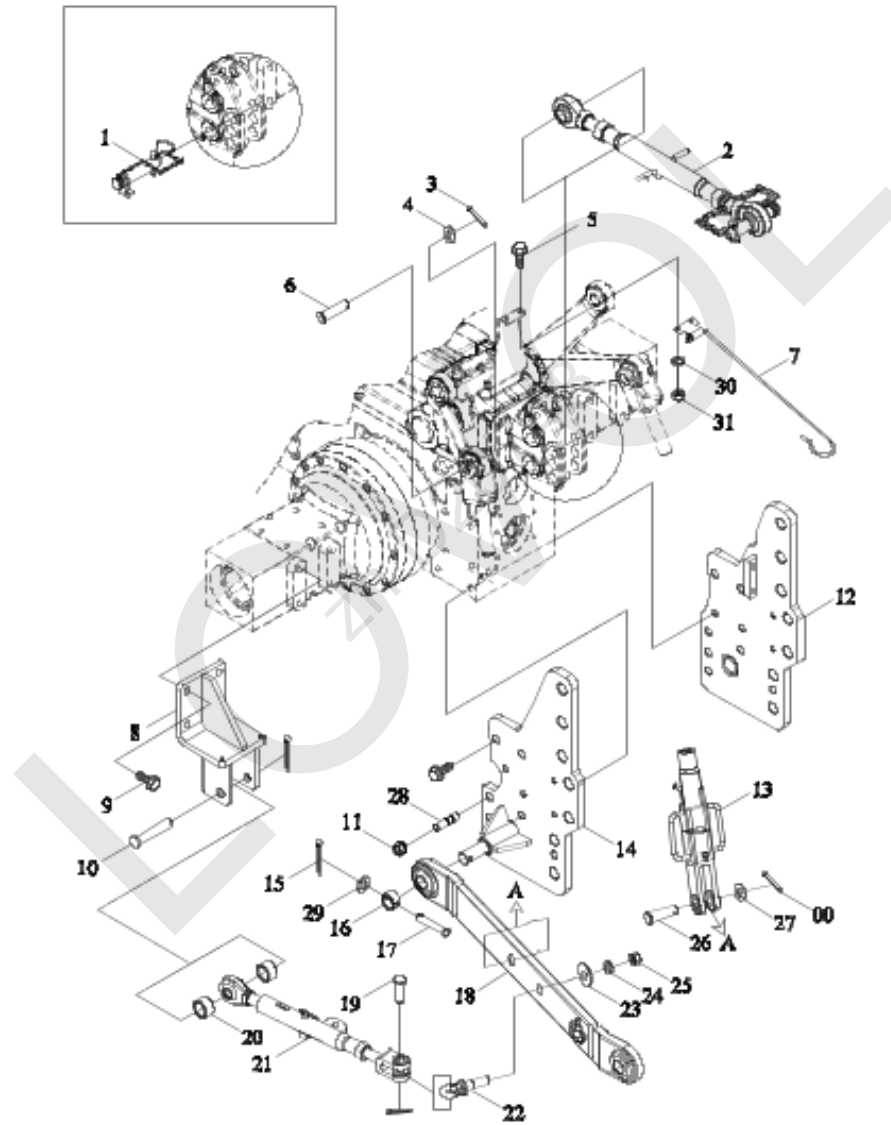
TB1S552030000 CONTROL ASSEMBLY (LIFTER) (cont'd.)

No.	Part No.	Description	Version	QTY.	Remark
10	GBT97. 1-6-A3L	FLAT WASHER		2	
11	GBT91-1. 6X12-A0P	SPLIT PIN		2	

LOWELOW
zn D20743

LOWVOL
zn D20743

TB3S56104000K SUSPENSION ASSEMBLY-1



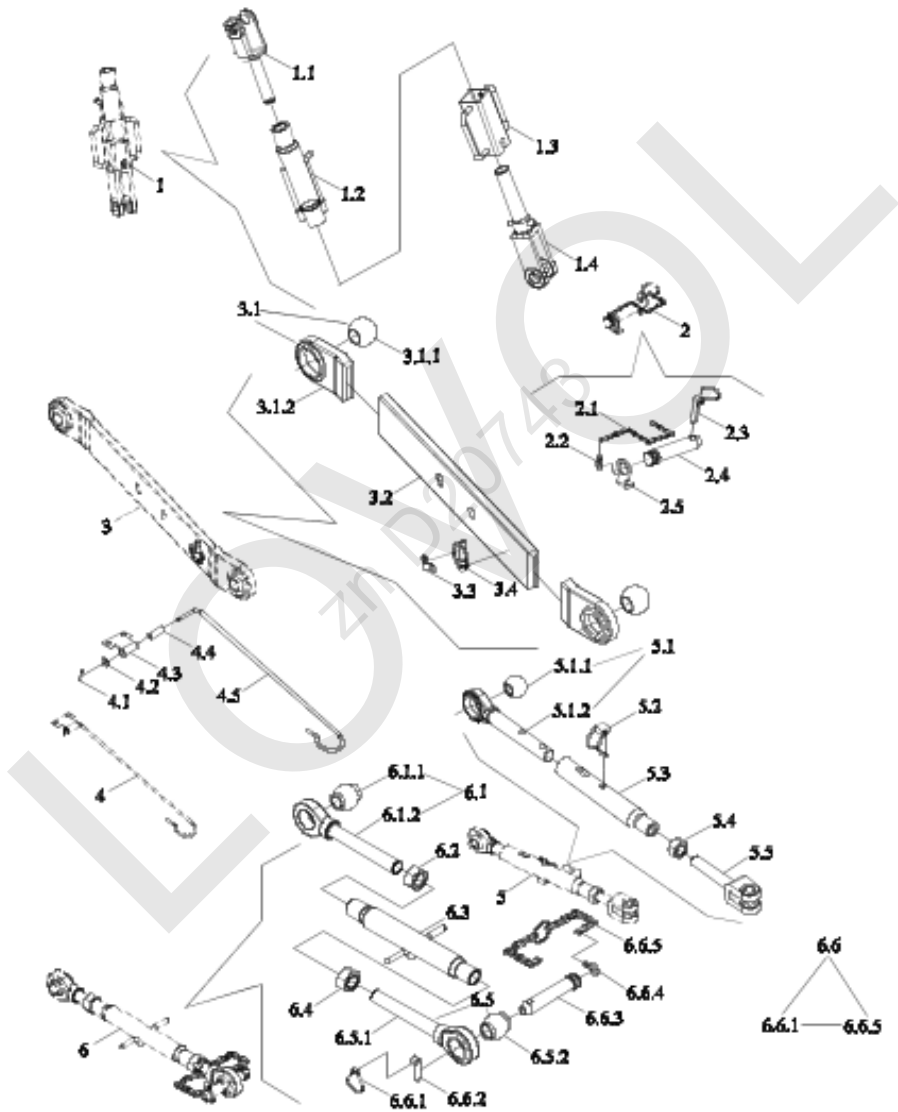
TB3S56104000K SUSPENSION ASSEMBLY-1

No.	Part No.	Description	Version	QTY.	Remark
	TB3S56104000K	SUSPENSION ASSEMBLY	002	1	
1	TS04561010001a	UPPER PULL ROD FRONT CONNECTING PIN ASSEMBLY		1	
2	FT500A. 56. 011a	UPPER PULL ROD ASSEMBLY		1	
3	GBT91-4X36-A3L	COTTER PIN		8	
4	FT500A. 56. 118	WASHER		2	
5	GBT5783-M8X20-8. 8-A2L	HEX HEAD BOLTS		2	
6	FT500A. 56. 101	LIFTING ROD UPPER CONNECTING PIN		2	
7	TS04561010006	UPPER PULL ROD FIXED CLIP COMBINATION		1	
8	TB704. 56A. 6	SEAT		2	
9	GBT16674. 1-M16X40-10. 9-A3L	HEX FLANGE BOLTS		10	
10	FT300. 56A. 102	LIMITING ROD CONNECTING PIN		2	
11	SPL-C0-M16X1. 5-10-F3	HEX FLANGE NUT		6	
12	TB3S561040002K	RIGHT SUPPORT PLATE		1	
13	TS04561010010	LIFTING ROD ASSEMBLY		2	
14	TB3S561040001K	LEFT SUPPORT PLATE		1	
15	GBT91-2X16-A3L	COTTER PIN		2	
16	TB704. 56A-02	SLEEVE 2		2	
17	GBT882-B8X48-A3L	PIN		2	
18	TB3C561010001	LOWER PULL ROD ASSEMBLY		2	
19	GBT882-B18X55-A3L	PIN		2	
20	FT300. 56A. 103	SLEEVE		4	
21	TB704. 56A. 5	LIMIT ROD ASSEMBLY		2	
22	FT300. 56A. 110a	LIMITING ROD REAR CONNECTING PIN		2	

TB3S561040000K SUSPENSION ASSEMBLY-1 (cont'd.)

No.	Part No.	Description	Version	QTY.	Remark
23	FT300.56A.111a	CIRCULAR PLATE		2	
24	GBT93-20-A3L	STANDARD SPRING WASHER		2	
25	GBT6170-M20-8-A3L	TYPE 1 HEX NUT		2	
26	FT300.56A.112	LIFTING ROD LOWER CONNECTING PIN		2	
27	GBT97.1-24-A3L	FLAT WASHERS		2	
28	GBT898-AM16-M16X1.5X45-10.9-A3 L	STUD		6	
29	GBT97.1-8-A3L	FLAT WASHERS		2	
30	GBT93-8-A3L	STANDARD SPRING WASHER		2	
31	GBT6170-M8-8-A2L	TYPE 1 HEX NUT		2	

TB3S56104000K SUSPENSION ASSEMBLY-2



TB3S56104000K SUSPENSION ASSEMBLY-2

No.	Part No.	Description	Version	QTY.	Remark
	TB3S56104000K	SUSPENSION ASSEMBLY		1	
1	TS04561010010	LIFTING ROD ASSEMBLY		2	
1.1	TB400.56E.1-01	LIFTING ROD UPPER CONNECTING FORK		1	
1.2	TS04561010011	ADJUSTING SCREW WELDMENT		1	
1.3	TB400.56E.1.2	ADJUSTING SLEEVE WELDMENT		1	
1.4	TB400.56E.1.3	LOWER CONNECTING FORK		1	
2	TS04561010001a	UPPER PULL ROD FRONT CONNECTING PIN ASSEMBLY		2	
2.1	TD800.56C.11.1.1-01	link		2	
2.2	TD800.56C.11-02	CONNECTION RING		1	
2.3	TA700.56B.1.3	LINCH-PIN ASSY		1	
2.4	TS04561010002a	UPPER PULL ROD FRONT CONNECTING PIN		1	
2.5	TB500.56.1.2-02	Baffle 1		1	
3	TB3C561010001	LOWER PULL ROD ASSEMBLY		1	
3.1	TB704.56A.2.1	Pull rod ball head assembly		1	
3.1.1	FT65.56.123a	JOINT		1	
3.1.2	TB704.56A.2.1-01	CONNECTOR BODY		1	
3.2	TB3C561010002	LOWERPULLROD		1	
3.3	TB3C561010003	Lock pin fixing plate		2	
3.4	TG1204.56F.1.5	LINCH-PIN ASSY		1	
4	TS04561010006	UPPER PULL ROD FIXED CLIP COMBINATION		1	
4.1	GBT91-2X14-A3L	COTTER PIN		1	
4.2	GBT96.1-6-A3L	LARGE WASHER		1	

TB3S561040000K SUSPENSION ASSEMBLY-2 (cont'd.)

No.	Part No.	Description	Version	QTY.	Remark
4.3	TE300.56.6-01	FIXED SEAT		1	
4.4	TE300.56.6-03	NYLON BUSH		1	
4.5	TS04561010007	UPPER PULL ROD FIXING CLIP		1	
5	TB704.56A.5	LIMIT ROD ASSEMBLY		14	
5.1	TB704.56A.5.2	EXTENSIBLE ROD BALL ASSEMBLY		1	
5.1.1	FT300.56A.211	CONNECTING JOINT		1	
5.1.2	TB704.56A.5.2-01	LIMIT ROD		1	
5.2	FT300.56A.023	LIMITING ROD LOCK PIN ASSEMBLY		1	
5.3	TB704.56A.5.1	EXTENSIBLE GUIDE PIPE WELDMENT		1	
5.4	GBT6170-M22-8-A9L	TYPE 1 HEX NUT		1	
5.5	FT300.56A.161	LIMITING ROD ADJUSTING SCREW		1	
6	FT500A.56.011a	UPPER PULL ROD ASSEMBLY		1	
6.1	FT500A.56.026	UPPER PULL ROD FRONT ADJUSTING ROD ASSEMBLY		1	
6.1.1	FT500A.56.129	JOINT		1	
6.1.2	FT500A.56.126	Adjust screw after pull rod		1	
6.2	GBT6171-M27X2-8-A3L	TYPE 1 HEX NUT		1	
6.3	FT500A.56.027	ADJUSTING SCREW WELDMENT		1	
6.4	GBT6171-M27X2-LH-8-A3L	TYPE 1 HEX NUT		1	
6.5	FT500A.56.024	UPPER PULL ROD REAR ADJUSTING ROD ASSEMBLY		1	
6.5.1	FT500A.56.126	Adjust screw after pull rod		1	
6.5.2	FT500A.56.129	JOINT		1	
6.6	FT65.56.015	UPPER PULL ROD LOCK PIN ASSEMBLY		1	

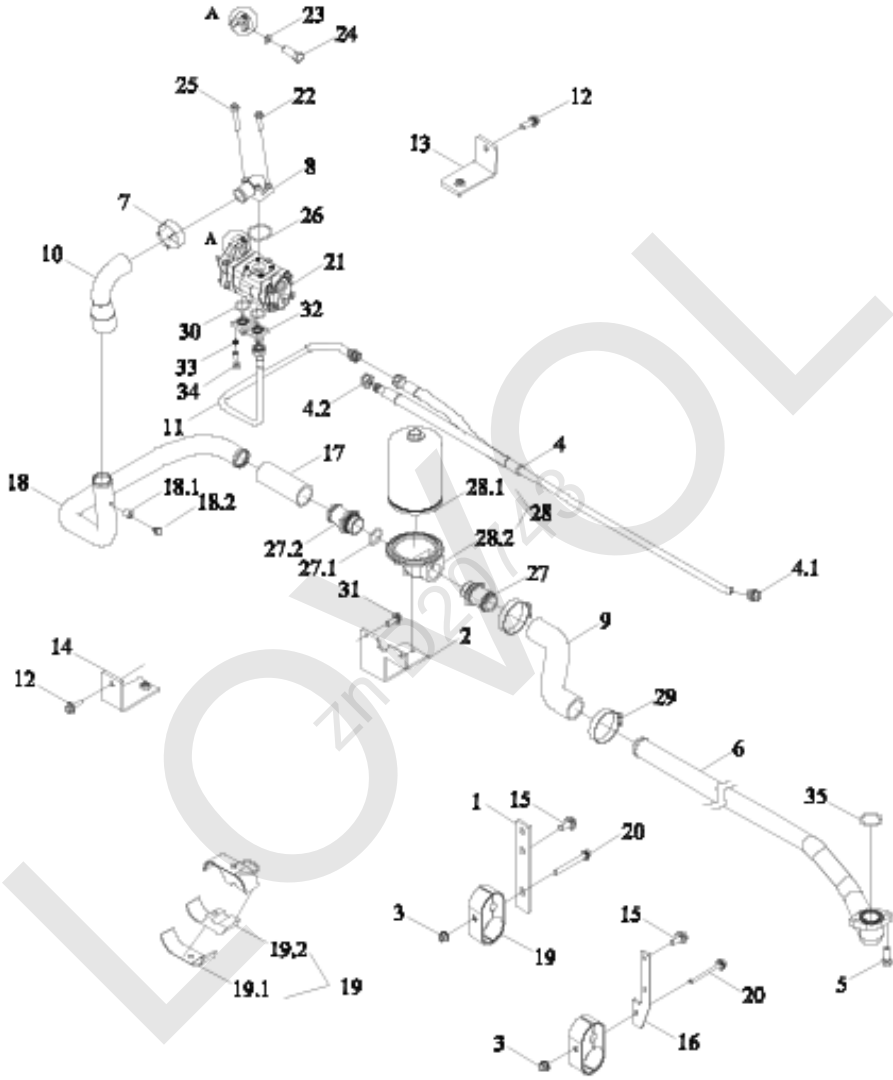
TB3S561040000K SUSPENSION ASSEMBLY-2 (cont'd.)

No.	Part No.	Description	Version	QTY.	Remark
6.6.1	FT65.56.134	LOCKING PIN RING		1	
6.6.2	FT65.56.135	LOCK PIN		1	
6.6.3	FT65.56.132	UPPER PULL ROD CONNECTING PIN		1	
6.6.4	FT65.56.133	LINK RING		1	
6.6.5	FT65.56.030	Chains and girth welds		1	

LOWLOL
zn D20743

TB3S581090000K OIL PUMP-PIPE-FILTER ASSEMBLY

LOWLOL
zn D20743



TB3S581090000K OIL PUMP-PIPE-FILTER ASSEMBLY

No.	Part No.	Description	Version	QTY.	Remark
	TB3S581090000K	OIL PUMP/PIPE/FILTER ASSEMBLY	001	1	
1	TB3S581040017K	OIL PIPE BRACKET		1	
2	TB3S581040009K	FILTER BRACKET WELDMENT		1	
3	GBT6177. 1-M8-8-A2L	HEXAGON FLANGE NUT		2	
4	TB3S581040011K	PRESSURE OIL STEEL PIPE ASSEMBLY		1	
4.1	GBT3747-L15-0	JOINT		1	
4.2	GBT3759-L15	NUT		1	
5	GBT16674. 1-M8X30-8. 8-A2L	HEX FLANGE BOLTS		2	
6	TB3S581040032K	OIL SUCTION PIPE ASSEMBLY		1	
7	Q67645	B TYPE WORM DRIVE TYPE HOSE HOOP		1	
8	TB3S581040003K	SUCTION FLANGE		1	
9	TB3S581040008K	OIL SUCTION RUBBER HOSE 2		1	
10	TB3S581040006K	OIL SUCTION HOSE		1	
11	TB3S581040010K	OIL PUMP OUTLET STEEL PIPE WELDMENT		1	
12	GBT16674. 1-M8X25-8. 8-A2L	HEX FLANGE BOLTS		2	
13	TB3S581040012K	TUBING BRACKET WELDING		1	
14	TB3S581040013K	OIL PIPE BRACKET WELDMENT 1		1	
15	GBT16674. 1-M10X20-8. 8-A3L	HEX FLANGE BOLTS		4	
16	TB3S581090001K	PIPE CLAMP BRACKET 1		1	
17	TB3S581040026K	OIL SUCTION RUBBER HOSE 1		1	
18	TB3S581040007K	OIL ABSORPTION STEEL PIPE		1	
18.1	TK4030510300	TESTINGPRESSUREMEATUSSEAT		1	
18.2	GV04701010035	SCREW PLUG M10X1		1	

TB3S581090000K OIL PUMP-PIPE-FILTER ASSEMBLY (cont'd.)

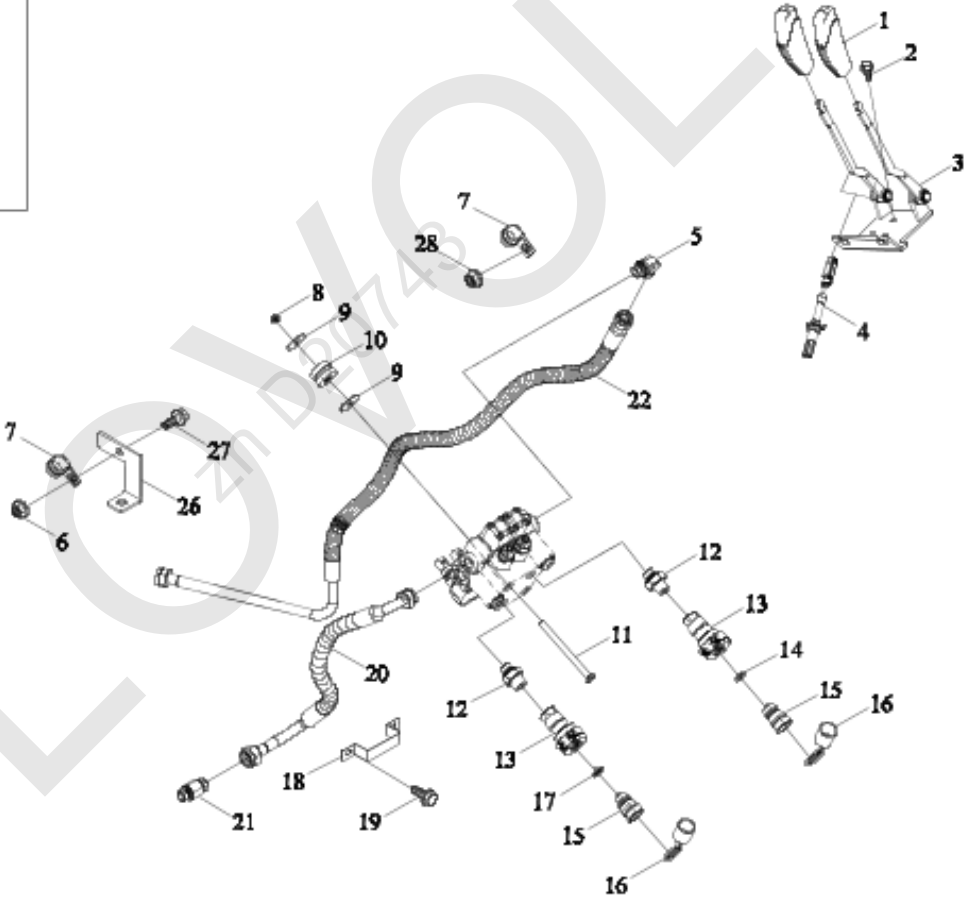
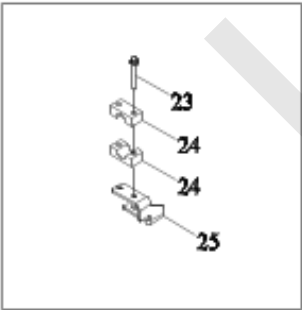
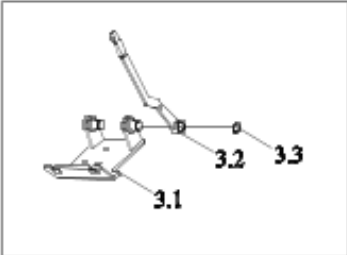
No.	Part No.	Description	Version	QTY.	Remark
19	TB3S581040027K	OIL PIPE CLAMP AND RUBBER WASHER		8	
19.1	TB3S581040029K	OIL PIPE CLAMP		1	
19.2	TB3S581040028K	OIL PIPE CLAMP RUBBER GASKET		1	
20	GBT16674.1-M8X70-8.8-A2L	HEX FLANGE BOLTS		4	
21	TR2P402010001	GEAR PUMP		1	
22	GBT16674.1-M6X30-8.8-A2L	HEX FLANGE BOLTS		2	
23	TB3S581040030K	WASHER		2	
24	GBT5783-M10X30-10.9-A3L	HEX HEAD BOLTS		2	
25	GBT16674.1-M6X45-8.8-A2L	HEX FLANGE BOLTS		2	
26	GBT3452.1-34.5X2.65G	O-RING RUBBER SEAL FOR HYDRAULIC AND PNEUMATIC		1	
27	TX1P581010004	ED STRAIGHT JOINT		2	
27.1	TE2S581010018K	ED sealing joint rubber gasket M42X2		1	
27.2	TX1P581010005	STRAIGHT THREAD JOINT		1	
28	TB1S581010017K	FILTER ASSEMBLY		1	
28.1	TB1S581010018K	OIL SUCTION FILTER ELEMENT		1	
28.2	TB1S581010019K	SEAT		1	
29	Q67657	B TYPE WORM DRIVE TYPE HOSE HOOP		5	
30	GBT3452.1-19.0X2.65G	O-RING RUBBER SEAL FOR HYDRAULIC AND PNEUMATIC		2	
31	GBT16674.1-M8X20-8.8-A2L	HEX FLANGE BOLTS		4	
32	TE3S581010008K	FLANGE		2	
33	GBT93-6-A3L	STANDARD SPRING WASHER		8	

TB3S581090000K OIL PUMP-PIPE-FILTER ASSEMBLY (cont'd.)

No.	Part No.	Description	Version	QTY.	Remark
34	GBT70. 1-M6X25-8. 8-A2L	HEXAGON SOCKET HEAD CAP SCREW		8	
35	GBT3452. 1-45. 0X3. 55G	O-RING RUBBER SEAL FOR HYDRAULIC AND PNEUMATIC		1	

LOWLOL
zn D20743

TB3S582110000K OIL PIPE ASSEMBLY (MULTI-WAY VALVE) -1



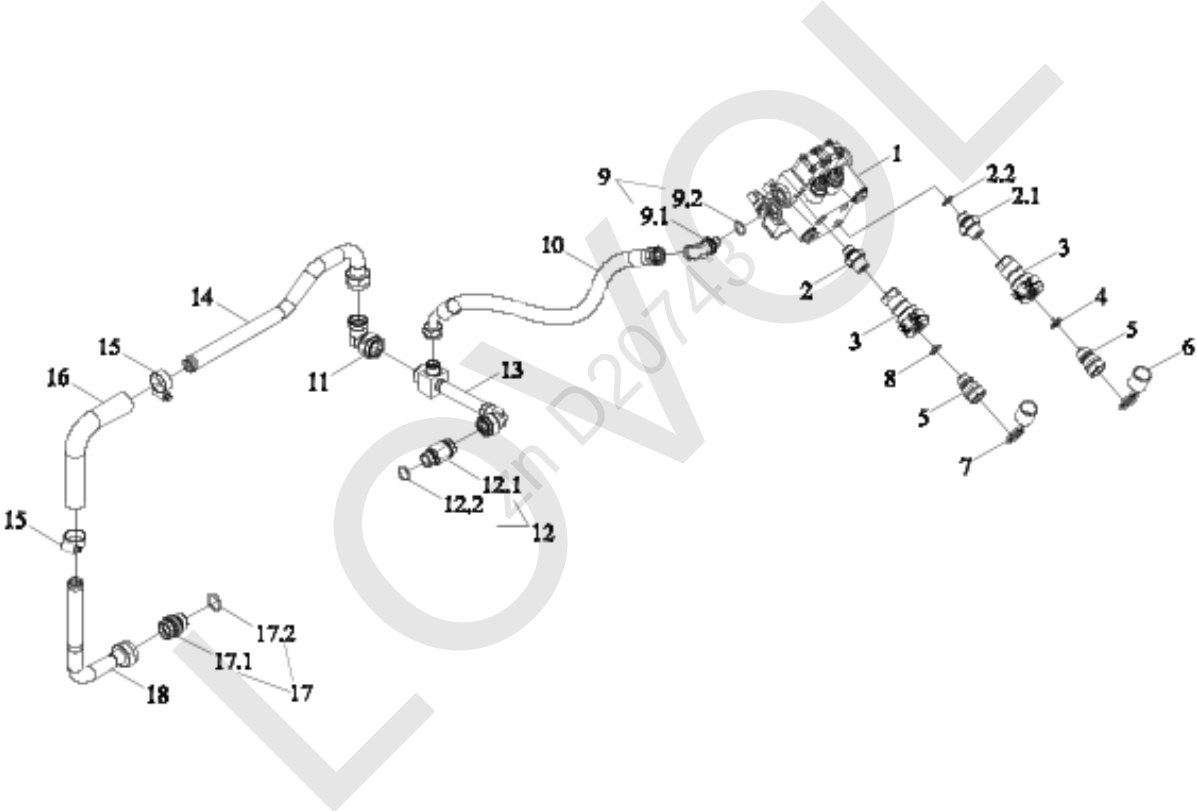
TB3S582110000K OIL PIPE ASSEMBLY (MULTI-WAY VALVE) -1

No.	Part No.	Description	Version	QTY.	Remark
	TB3S582110000K	MULTI-WAY VALVE OIL PIPE ASSEMBLY	001	1	
1	TS04582010025	HANDLE HEAD		2	
2	GBT5789-M8X20-8. 8-A2L	HEX FLANGE BOLTS		3	
3	TB3S582280001	MULTI-WAY VALVE CONTROL MECHANISM INSTALLATION ASSEMBLY		1	
3.1	TB3S582280005	INSTALLATION SEAT WELDMENT		1	
3.2	TB3S582280004	CONTROL HANDLE WELD		2	
3.3	GBT894. 1-14	RETAINING RING FOR SHAFT		2	
4	TB3S582030056	SOFT SHAFT MECHANISM ASSEMBLY		2	
5	TC04582140012	CONNECTING JOINT M18-15		2	
6	GBT6177. 1-M10-8-A3L	HEXAGON FLANGE NUT		1	
7	TS12473020007	PIPE CLAMP		2	
8	GBT6177. 1-M6-8-A2L	HEXAGON FLANGE NUT		3	
9	TL02582330021	LARGE WASHER		6	
10	TB1S582010025K	MULTI-WAY VALVE SHOCK ABSORPTION GASKET BLOCK		3	
11	GBT5782-M6X80-8. 8-A2L	HEX HEAD BOLTS		3	
12	TC04582140009	THROUGH JOINT		4	
13	TB1S582010020K	JOINT		4	
14	TB1S582010004K	DUSTPROOF COVER R-		1	
15	FT354. 58A. 032	JOINT		4	
16	TC02580010003K	DUSTPROOF COVER		2	
17	TB1S582010005K	DUSTPROOF COVER B+		1	
18	TS06582010004	LIMIT PLATE		1	

TB3S582110000K OIL PIPE ASSEMBLY (MULTI-WAY VALVE) -1 (cont'd.)

No.	Part No.	Description	Version	QTY.	Remark
19	GBT5789-M6X12-8.8-A2L	HEX FLANGE BOLTS		2	
20	TB1S582010030K	OIL INLET RUBBLE HOSE		1	
21	TL02582240001	STRAIGHT THREAD JOINT L15-M22X1.5		1	
22	TB3S582060001K	OIL INLET RUBBLE HOSE		1	
23	GBT5789-M6X50-8.8-A2L	HEX FLANGE BOLTS		2	
24	TS06402290034	SINGLE HOLE PIPE CLAMP 22		2	
25	TB3S582060003K	OIL PIPE BRACKET		1	
26	TB1S582010001K	SUPPORT		1	
27	GBT5789-M10X20-8.8-A3L	HEX FLANGE BOLTS		1	
28	GBT6177.1-M8-8-A2L	HEXAGON FLANGE NUT		1	

TB3S582110000K OIL PIPE ASSEMBLY (MULTI-WAY VALVE) -2



TB3S582110000K OIL PIPE ASSEMBLY (MULTI-WAY VALVE) -2

No.	Part No.	Description	Version	QTY.	Remark
	TB3S582110000K	MULTI-WAY VALVE OIL PIPE ASSEMBLY		1	
1	TC04582140010	MULTI-WAY VALVE ASSEMBLY		1	
2	TC04582140009	THROUGH JOINT		4	
2.1	TC04582140007	STRAIGHT PIPE JOINT BODY		1	
2.2	TS09580010006	O-RING 15. 3X2. 2-M18X1. 5		1	
3	TB1S582010020K	JOINT		4	
4	TB1S582010003K	DUSTPROOF COVER R+		1	
5	FT354. 58A. 032	JOINT		4	
6	TC02580010003K	DUSTPROOF COVER		2	
7	FT354. 58A. 302	DUSTPROOF COVER		2	
8	TB1S582010006K	DUSTPROOF COVER B-		1	
9	TC04582140012	CONNECTING JOINT M18-15		2	
9.1	GBT3738-L15	JOINT		1	
9.2	TS09580010006	O-RING 15. 3X2. 2-M18X1. 5		1	
10	TB1S582010007K	OIL RETURN RUBBER HOSE ASSEMBLY		1	
11	GBT3754-L22	JOINT		1	
12	TB1S582010033K	END STRAIGHT THREAD CONNECTOR BODY M22-18		1	
12.1	TB1S582010034K	Ferrules, straight end, union L18-M22X1. 5		1	
12.2	TS09580010008	O-RING		1	
13	TB1S582010009K	LIFTER OIL OUTLET PIPE		1	
14	TB3S582060002K	OIL RETURN STEEL PIPE ASSEMBLY		1	
15	Q67632	B TYPE WORM DRIVE TYPE HOSE HOOP		2	
16	TB3S582060007K	OIL RETURN HOSE		1	

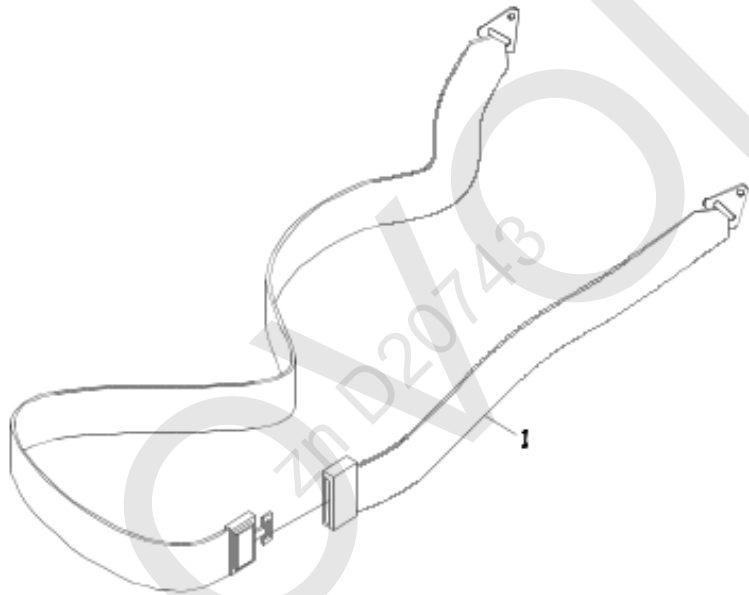
TB3S582110000K OIL PIPE ASSEMBLY (MULTI-WAY VALVE) -2 (cont'd.)

No.	Part No.	Description	Version	QTY.	Remark
17	TD924.582N.16	STRAIGHT THREAD JOINT		1	
17.1	GBT3733-L22	STRAIGHT THREAD JOINT		1	
17.2	TS09580010009	O-RING 23.6X2.9-M27X2		1	
18	TB3S582060005K	OIL RETURN PIPE ASSEMBLY		1	

LOWLOL
zn D20743

TE3S620010000K SAFETY BELT ASSEMBLY

LOWVOLT
zn D20743

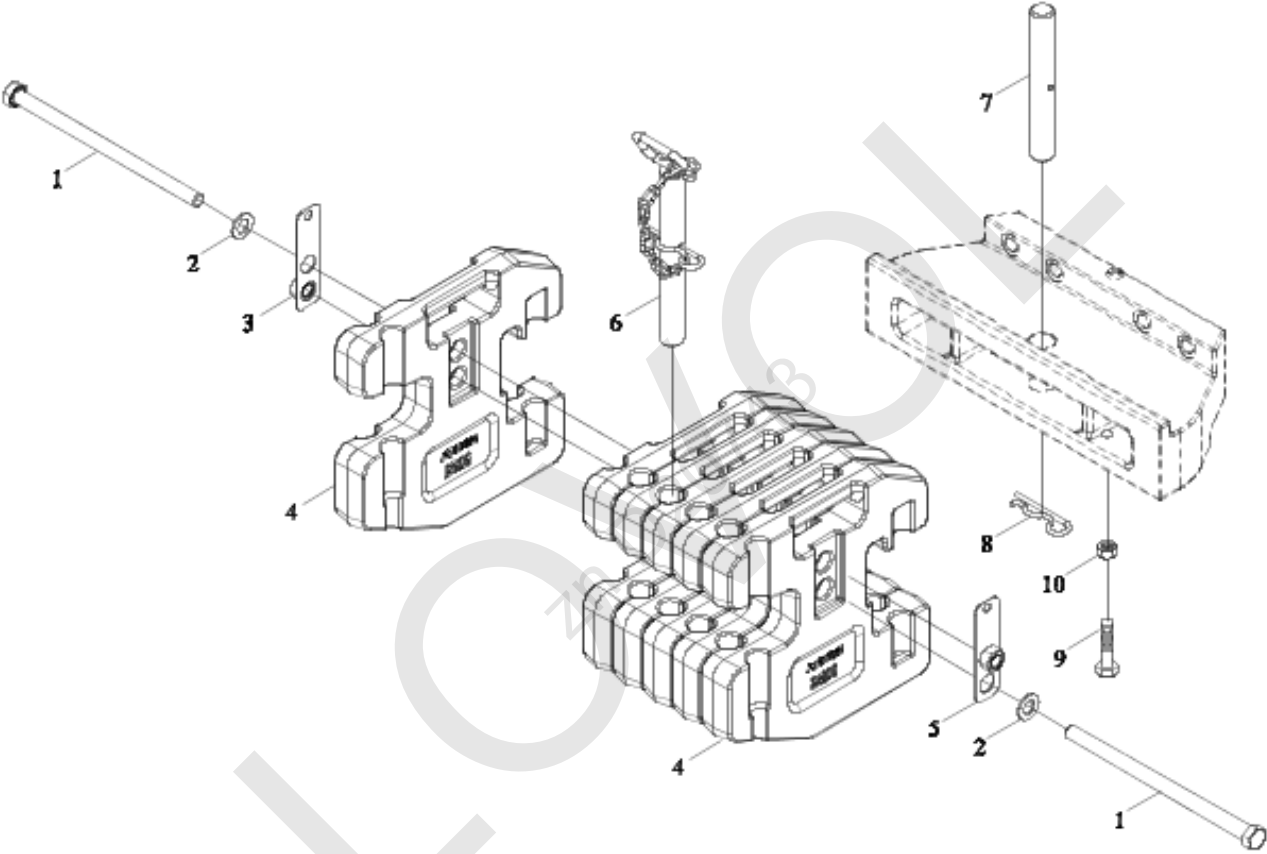


TE3S620010000K SAFETY BELT ASSEMBLY

No.	Part No.	Description	Version	QTY.	Remark
1	TE3S620010000K	SAFETY BELT INSTALLATION ASSEMBLY	002	1	
	TE3S620010000K	SAFETY BELT INSTALLATION ASSEMBLY		1	

TB3S74102000K COUNTERWEIGHT-FRONT

LOWLOL
zn D20743

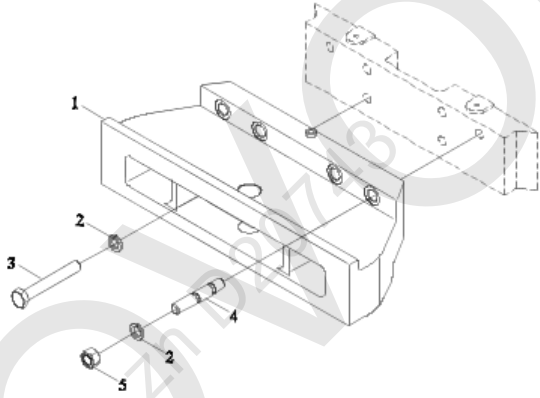


TB3S741020000K COUNTERWEIGHT-FRONT

No.	Part No.	Description	Version	QTY.	Remark
	TB3S741020000K	FRONT BALLAST ASSEMBLY	001	1	
1	TB1S741010010	CONNECTING BOLT		2	
2	GBT97. 1-18-A3L	FLAT WASHERS		2	
3	TB1S741010003	INSTALLATION PLATE-1		1	
4	TB3S741020001K	FRONT BALLAST BLOCK		6	
5	TB1S741010004	INSTALLATION PLATE-2		1	
6	TB1S741010006	TRACTION PIN		1	
7	TB1S741010002	CONNECTING PIN		1	
8	FT800. 35. 112	SPRING LOCK PIN		1	
9	GBT5783-M12X55-8. 8-A3L	HEX HEAD BOLTS		2	
10	GBT6170-M12-8-A3L	TYPE 1 HEX NUT		2	

TB3S742020000 SUPPORT-FRONT

LOWVOLT
zn D20743

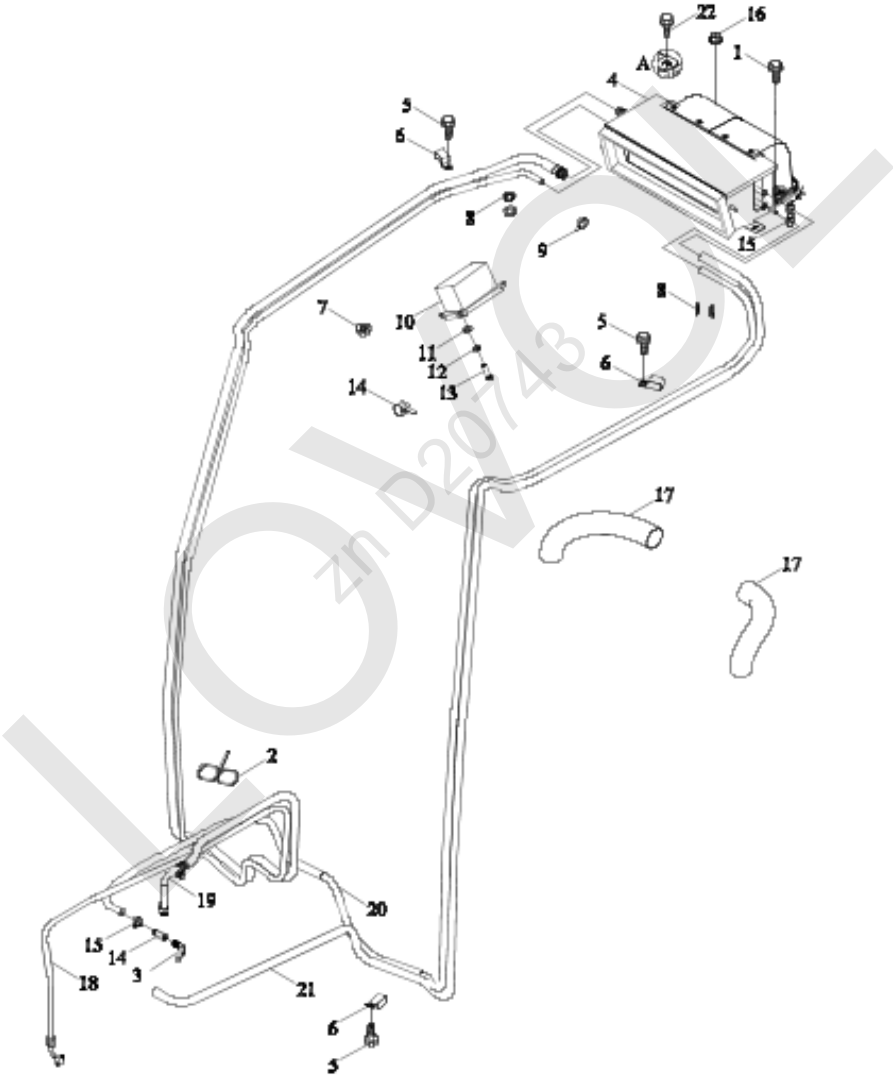


TB3S742020000 SUPPORT-FRONT

No.	Part No.	Description	Version	QTY.	Remark
	TB3S742020000	FRONT BALLAST BRACKET ASSEMBLY	001	1	
1	TB3S742020001	FRONT BALLAST BRACKET		1	
2	GBT93-16-A3L	STANDARD SPRING WASHER		6	
3	GBT5782-M16X110-8.8-A3L	HEX HEAD BOLTS		2	
4	GBT899-AM16-M16X70-8.8-A3L	STUD		4	
5	GBT6170-M16-8-A3L	TYPE 1 HEX NUT		4	

LOWVOL
zn D20743

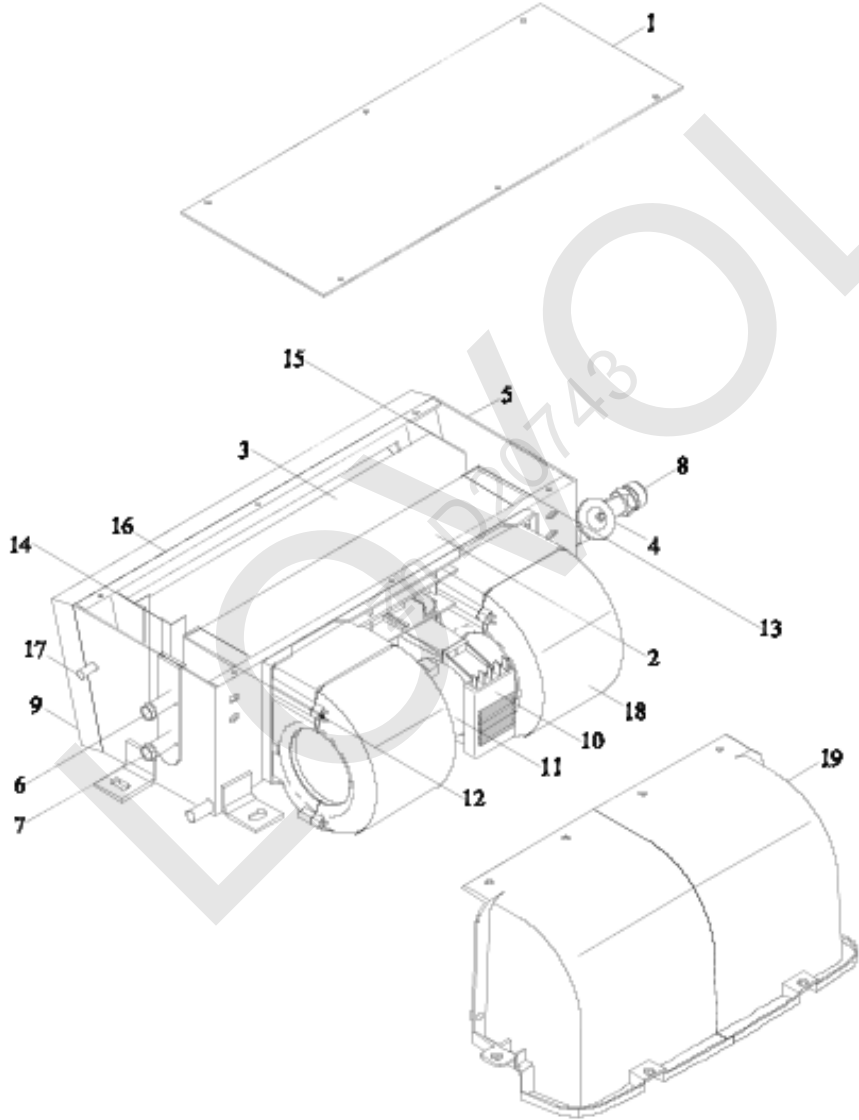
TB3S811010000K AIR CONDITIONING SYSTEM (CAB) -1



TB3S811010000K AIR CONDITIONING SYSTEM (CAB) -1

No.	Part No.	Description	Version	QTY.	Remark
	TB3S811010000K	AIR CONDITION ASSEMBLY-CAB	001	1	
1	GBT16674. 1-M8X25-8. 8-A2L	HEX FLANGE BOLTS		4	
2	TG3S488010002	TIE		1	
3	TB1S812010011K	HEATER WATER VALVE		1	
4	TS06811010062	EVAPORATOR ASSEMBLY		1	
5	GBT16674. 1-M8X16-8. 8-A2L	HEX FLANGE BOLTS		6	
6	TS06811010007	LOCKING CLAMP		7	
7	GBT6177. 1-M8-8-A2L	HEXAGON FLANGE NUT		1	
8	TS06811010013	PROTECTINGRING		4	
9	3203505D9-L	CABLE TIE		6	
10	TS06811010001	CONTROL PANEL		1	
11	GBT97. 1-5-A3L	FLAT WASHERS		4	
12	GBT93-5-A3L	STANDARD SPRING WASHER		4	
13	GBT818-M5X16-4. 8-A2L	CROSS RECESSED PAN HEAD SCREWS		4	
14	TB1S812010012K	JOINT		1	
15	Q67522	A TYPE WORM DRIVE TYPE HOSE HOOP		4	
16	GBT6177. 1-M6-8-A2L	HEXAGON FLANGE NUT		4	
17	TS06811010063	WIND PIPE		2	
18	TB1S811010004K	PIPE		1	
19	TB1S811010001K	COMPRESSOR-EVAPORATOR HOSE		1	
20	TC02811020002	WATER INLET HOSE OF WARM AIR		1	
21	TC03811060004	WATER HOSE		1	

TB3S811010000K AIR CONDITIONING SYSTEM (CAB) -2



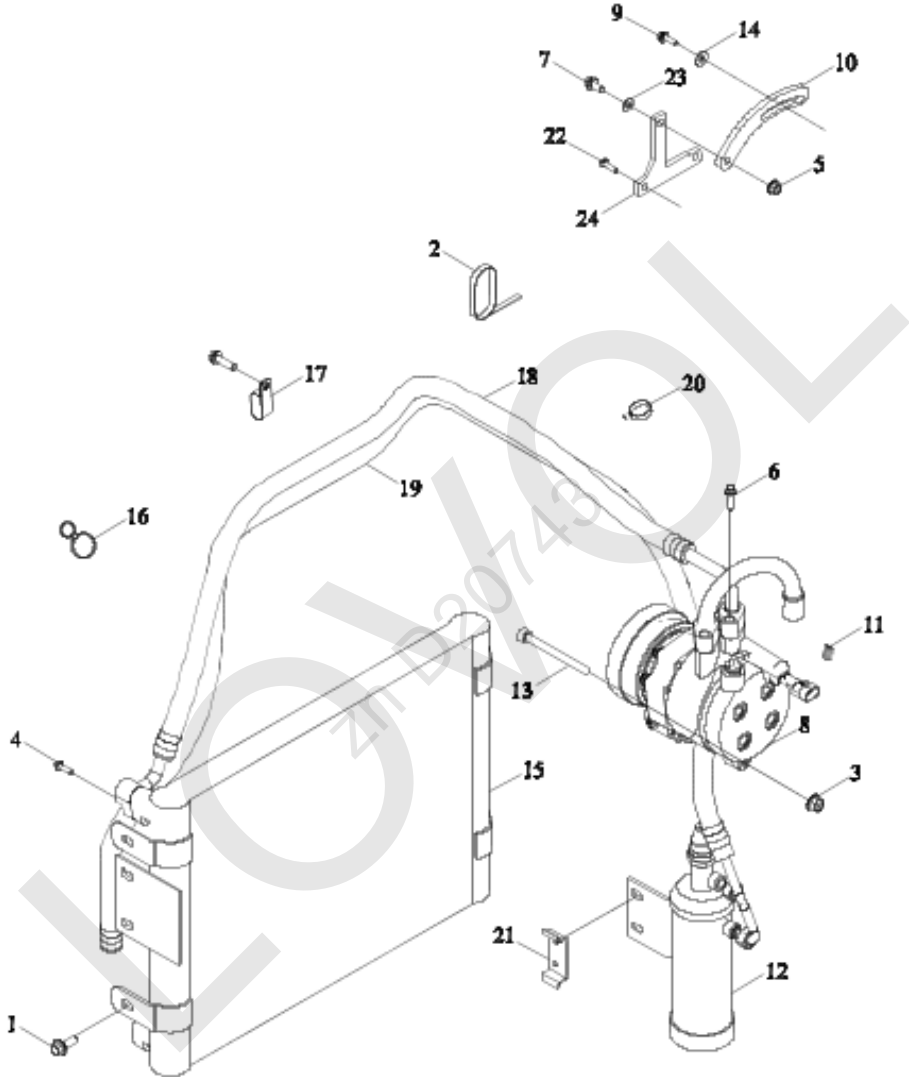
TB3S811010000K AIR CONDITIONING SYSTEM (CAB) -2

No.	Part No.	Description	Version	QTY.	Remark
	TB3S811010000K	AIR CONDITION ASSEMBLY-CAB		1	
	TS06811010062	EVAPORATOR ASSEMBLY		1	
1	TS06811010022	BONNET UP COVER PLATE		1	
2	TS06811010014	EVAPORATOR		1	
3	TS06811010015	HEATER CORE		1	
4	TS06811010018	EXPANSION VALVE		1	
5	TS06811010017	SERVO MOTOR		1	
6	TS06811010019	WATER OUTLET		1	
7	TS06811010020	WATER INNER		1	
8	TS06811010021	PIPE JOINT		1	
9	TS06811010023	EVAPORATOR HOUSING		1	
10	TS06811010024	RESISTANCE REGULATOR		1	
11	TS06811010025	DRAUGHT FAN MOTOR		1	
12	TS06811010027	LEFT FIXING PLATE		1	
13	TS06811010028	FIXED PLATE		1	
14	TS06811010029	LEFT FIXING PLATE		1	
15	TS06811010030	RIGHT FIXED PLATE		1	
16	TS06811010031	EVAPORATOR CORE		1	
17	TS06811010032	MOUNTING ROD		1	
18	TS06811010026	FAN		1	
19	TS06811010060	SEAL STRIP		1	

LOWLOL
zn D20743

TB3S812010000K AIR CONDITIONING SYSTEM (ENGINE)

LOWVOL
zn D20743



TB3S812010000K AIR CONDITIONING SYSTEM (ENGINE)

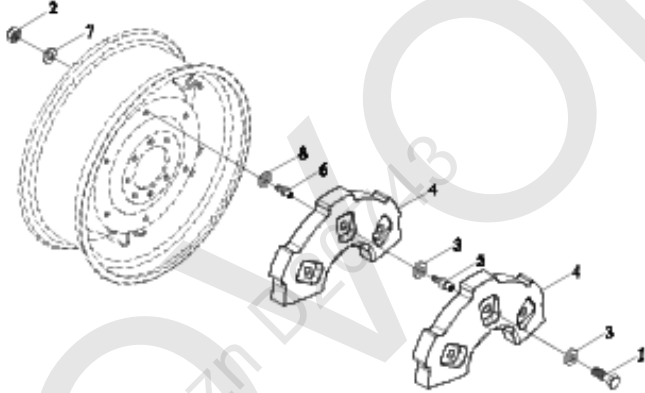
No.	Part No.	Description	Version	QTY.	Remark
	TB3S812010000K	AIR CONDITION ASSEMBLY-ENGINE	003	1	
1	GBT16674. 1-M8X20-8. 8-A2L	HEX FLANGE BOLTS		4	
2	Q67407200	PLASTIC FASTENING STRIP		1	
3	GBT6177. 1-M8-8-A2L	HEXAGON FLANGE NUT		3	
4	GBT16674. 1-M6X25-8. 8-A2L	HEX FLANGE BOLTS		3	
5	GBT6177. 1-M10-10-A3L	HEXAGON FLANGE NUT		1	
6	GBT16674. 1-M8X30-8. 8-A2L	HEX FLANGE BOLTS		2	
7	GBT16674. 1-M10X35-8. 8-A2L	HEX FLANGE BOLTS		1	
8	TB3S811010001K	COMPRESSOR		1	
9	GBT16674. 1-M8X25-8. 8-A2L	HEX FLANGE BOLTS		1	
10	TD800. 812H. 4	PLATE		1	
11	TB3S811010002K	COMPRESSOR BELT		1	
12	TS04812020016K	LIQUID TANK		1	
13	GBT70. 1-M8X100-8. 8-A2L	HEXAGON SOCKET HEAD CAP SCREW		1	
14	GBT96. 1-8-A3L	LARGE WASHER		1	
15	TB3S812010016	CONDENSER ASSEMBLY		1	
16	TG3S488010002	TIE		2	
17	GL07911011010	FIXED PIPE CLAMP		1	
18	TB3S812010005	CONDENSER-DRYING BOTTLE HIGH PRESSURE HOSE		1	
19	TB3S812010015	COMPRESSOR-COOLER HOSE		1	
20	3203505D9-L	CABLE TIE		2	
21	TB3S812010025	Drying bottle holder		1	
22	GBT16674. 1-M10X20-8. 8-A2L	HEX FLANGE BOLTS		2	

TB3S812010000K AIR CONDITIONING SYSTEM (ENGINE) (cont'd.)

No.	Part No.	Description	Version	QTY.	Remark
23	GBT97. 1-10-A3L	FLAT WASHERS		1	
24	TB3S812010003K	SUPPORT		1	

TB3S950010000K REAR BALLAST ASSEMBLY

LOWVOLT
zn D20743



TB3S950010000K REAR BALLAST ASSEMBLY

No.	Part No.	Description	Version	QTY.	Remark
	TB3S950010000K	REAR BALLAST ASSEMBLY	001	1	
1	GBT5783-M16X40-8.8-A3L	HEX HEAD BOLTS		6	
2	GBT6170-M16-8-A3L	TYPE 1 HEX NUT		6	
3	FT650.34.104	WASHER		18	
4	TB3S950010001K	REAR BALLAST		6	
5	FT650.34.103	REAR BALLAST SCREW 2		12	
6	FT650.34.102	REAR BALLAST SCREW 1		6	
7	GBT97.1-16-A3L	FLAT WASHERS		6	
8	GBT97.1-20-A3L	FLAT WASHERS		6	